



US00D955130S

(12) **United States Design Patent** (10) **Patent No.:** **US D955,130 S**  
**Wang** (45) **Date of Patent:** **\*\* Jun. 21, 2022**

(54) **FOLDING STADIUM SEAT**

(71) Applicant: **Linglin Wang, Ji An (CN)**

(72) Inventor: **Linglin Wang, Ji An (CN)**

(\*\*) Term: **15 Years**

(21) Appl. No.: **29/683,016**

(22) Filed: **Mar. 11, 2019**

(51) **LOC (13) Cl.** ..... **06-01**

(52) **U.S. Cl.**  
USPC ..... **D6/368**

(58) **Field of Classification Search**  
USPC ..... D6/366, 368, 374, 380, 339, 716.4, 356;  
D25/64  
CPC .... A47C 3/04; A47C 4/24; A47C 4/28; A47C  
4/38; A47C 7/282; H01J 49/42; H01J  
49/063; H01J 49/4215; H01J 49/4255;  
Y10T 403/7171; Y10T 403/7194; A47B  
83/02; A47D 1/004; A47D 1/0081; A47D  
1/002; A47D 1/0085

See application file for complete search history.

(56) **References Cited**

**U.S. PATENT DOCUMENTS**

- 3,007,737 A \* 11/1961 Lichter ..... A47C 7/407  
297/378.1
- 3,501,200 A \* 3/1970 Ohta ..... B60N 2/4228  
297/452.19
- D281,936 S \* 12/1985 Kennedy ..... D6/362
- D282,028 S \* 1/1986 Kennedy ..... D6/362
- 5,052,076 A \* 10/1991 Spaeth ..... B63B 29/04  
16/266
- D391,086 S \* 2/1998 Catchings ..... D6/356
- 6,116,676 A \* 9/2000 Edwards ..... B60N 2/3011  
296/64
- D468,548 S \* 1/2003 Head, Jr. .... D6/368
- D495,511 S \* 9/2004 Dingess ..... D6/368
- 6,981,741 B2 \* 1/2006 Sirjoo ..... A47C 3/16  
297/354.12

- D771,400 S \* 11/2016 DoVale ..... D6/368
- D854,841 S \* 7/2019 Levin ..... D6/356
- D854,842 S \* 7/2019 Levin ..... D6/356
- D891,135 S \* 7/2020 Chen ..... D6/362
- D896,538 S \* 9/2020 Monroe ..... D6/356
- 10,913,517 B1 \* 2/2021 Levin ..... F16B 12/40
- D914,379 S \* 3/2021 Levin ..... D6/356
- D914,380 S \* 3/2021 Levin ..... D6/356
- 2005/0023875 A1 \* 2/2005 Sirjoo ..... A47C 3/16  
297/354.13
- 2005/0274726 A1 \* 12/2005 Boggs ..... F25D 3/08  
220/592.03

(Continued)

**OTHER PUBLICATIONS**

“Ultra-Padded Stadium Chair—18"W×14"D×18"H—Yellow” Jan. 9, 2019, overstock.com, site visited Nov. 10, 2021 <<https://www.overstock.com/Home-Garden/Game-Day-Seats-Ultra-padded-Stadium-Chair/11975454/product.html?opre=1&option=38718984#reviewRegion>> (Year: 2019).\*

*Primary Examiner* — Kevin K Rudzinski

*Assistant Examiner* — Paul D Bohannon

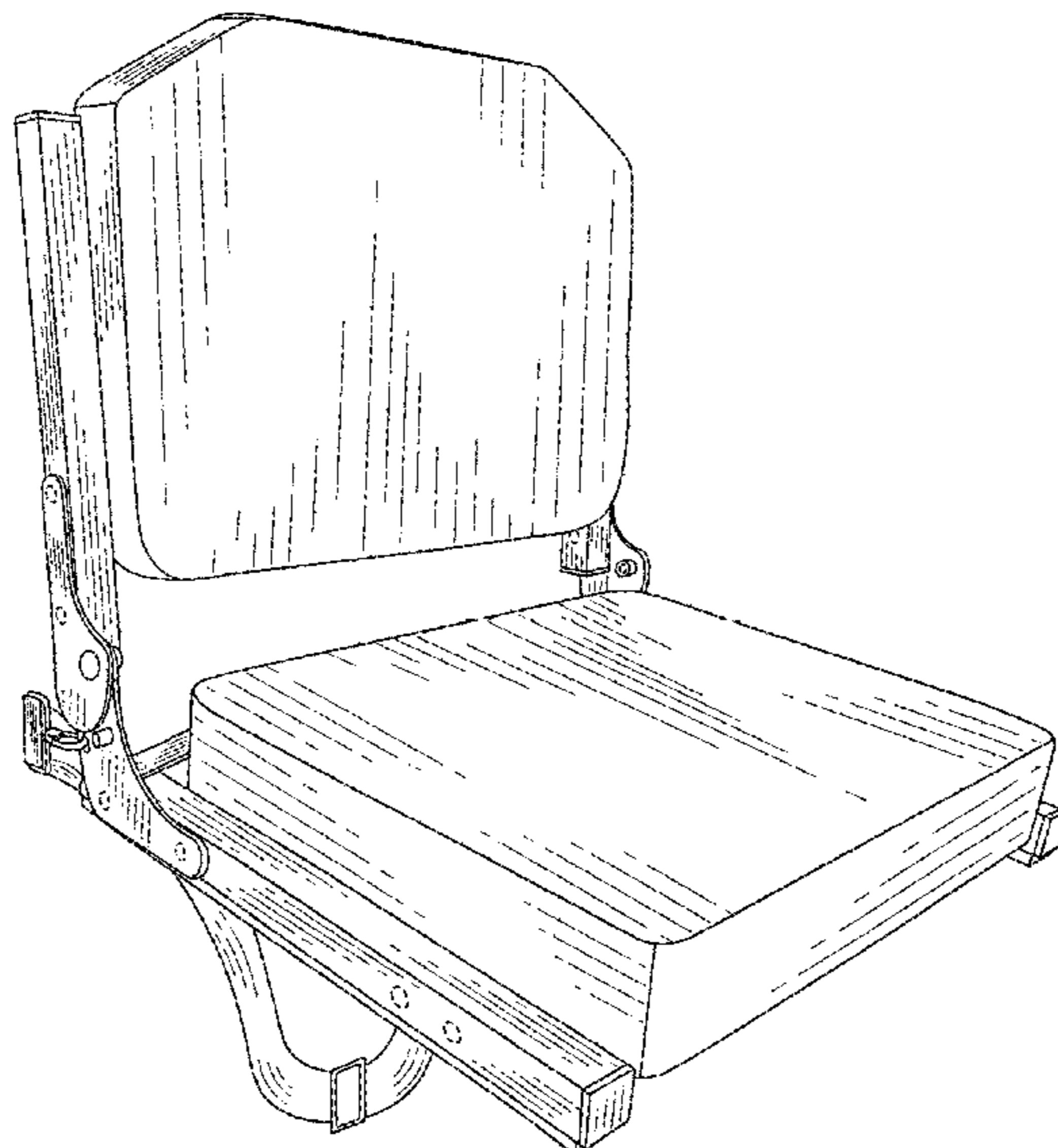
(57) **CLAIM**

The ornamental design for a folding stadium seat, as shown and described.

**DESCRIPTION**

FIG. 1 is a perspective view of a folding stadium seat showing my new design;  
FIG. 2 is a front elevation view thereof;  
FIG. 3 is a rear elevation view thereof;  
FIG. 4 is a left side elevation view thereof;  
FIG. 5 is a right side elevation view thereof;  
FIG. 6 is a top plan view thereof; and,  
FIG. 7 is a bottom plan view thereof.  
The broken lines shown in the drawings are for the purpose of illustrating portions of the article and form no part of the claimed design.

**1 Claim, 7 Drawing Sheets**



(56)

**References Cited**

U.S. PATENT DOCUMENTS

2007/0236055 A1\* 10/2007 Gausman ..... A47C 1/146  
297/129  
2016/0066694 A1\* 3/2016 Blakeney ..... A47C 7/425  
297/228.13

\* cited by examiner

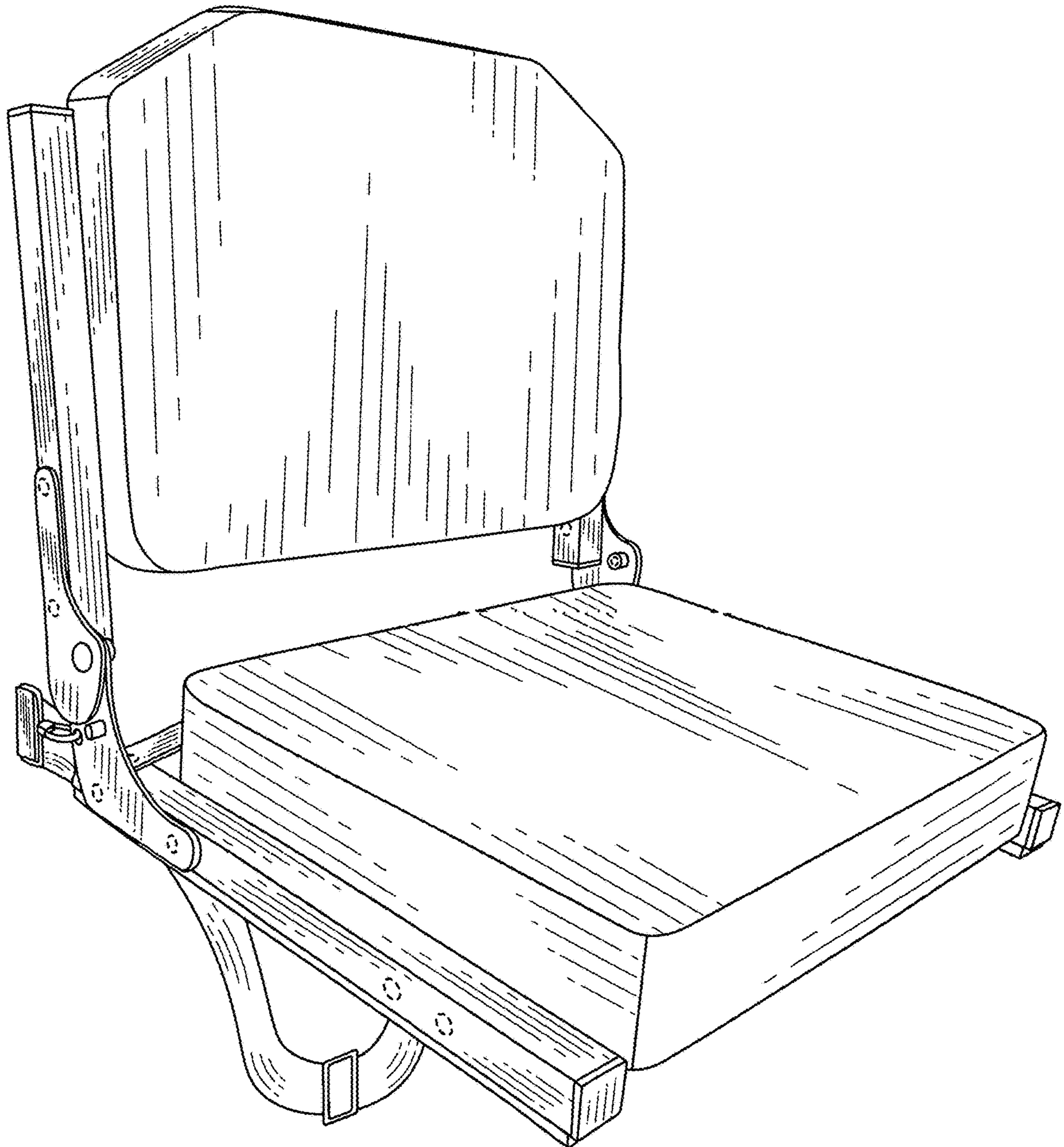


FIG. 1

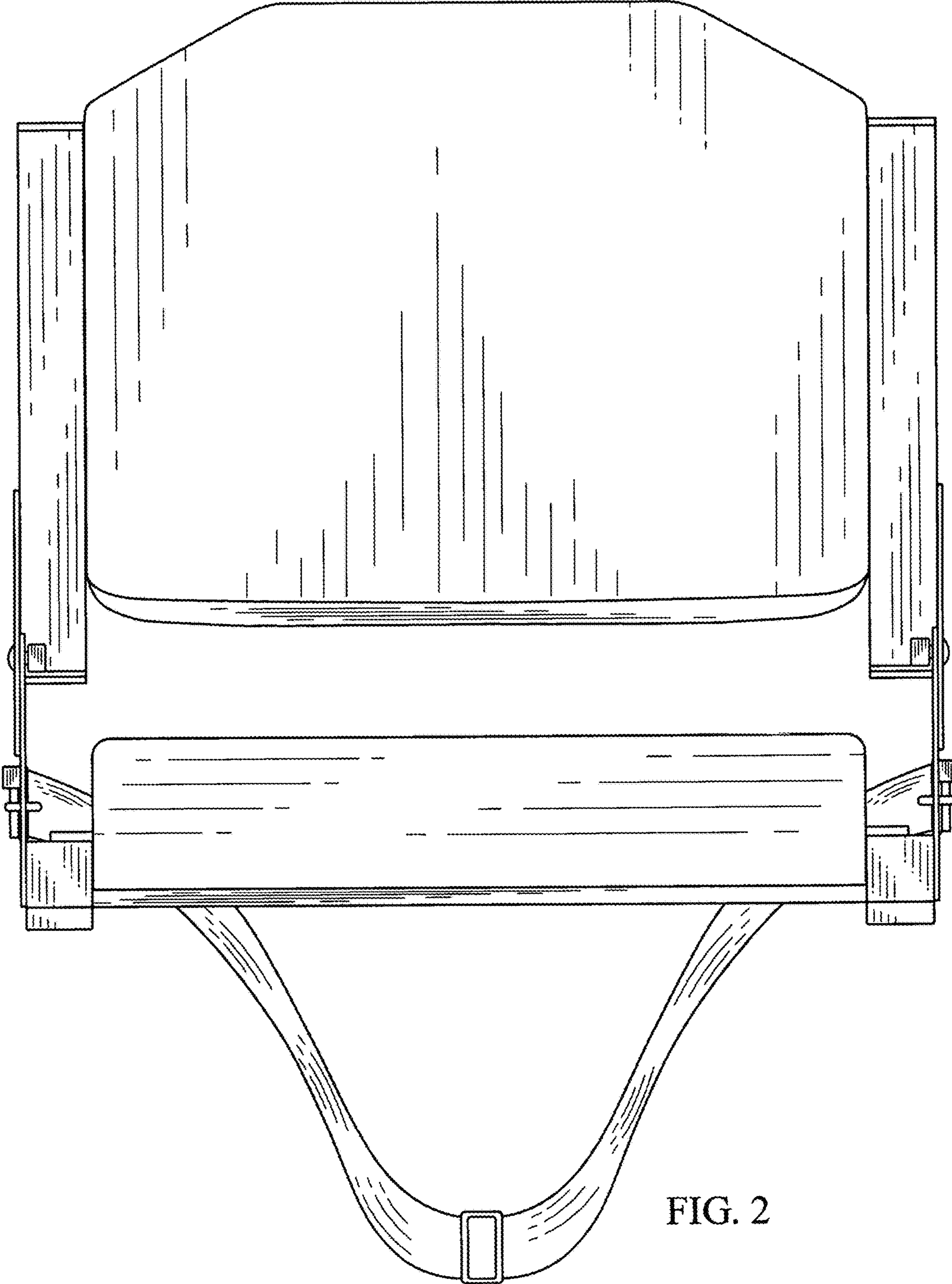


FIG. 2

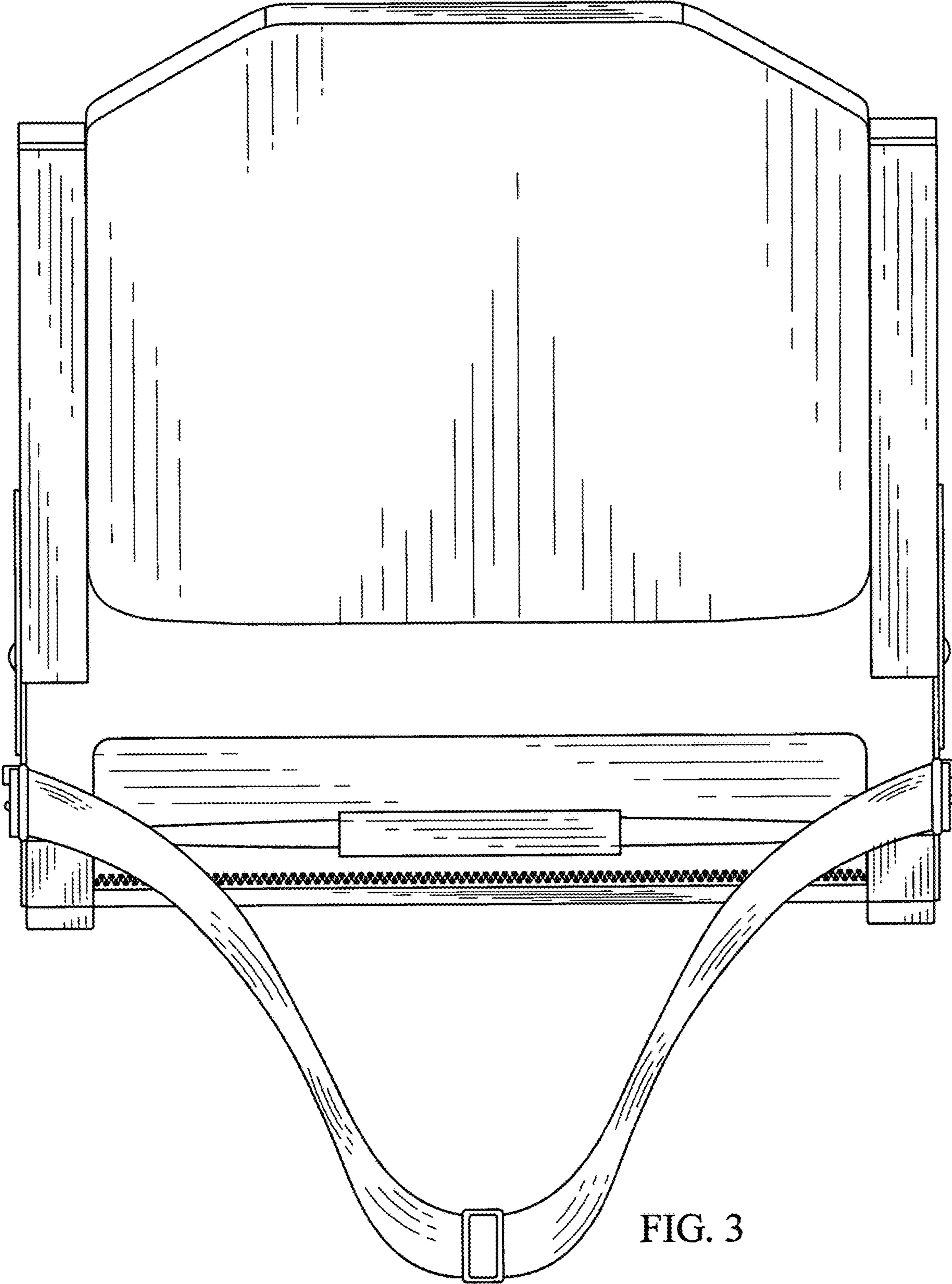


FIG. 3

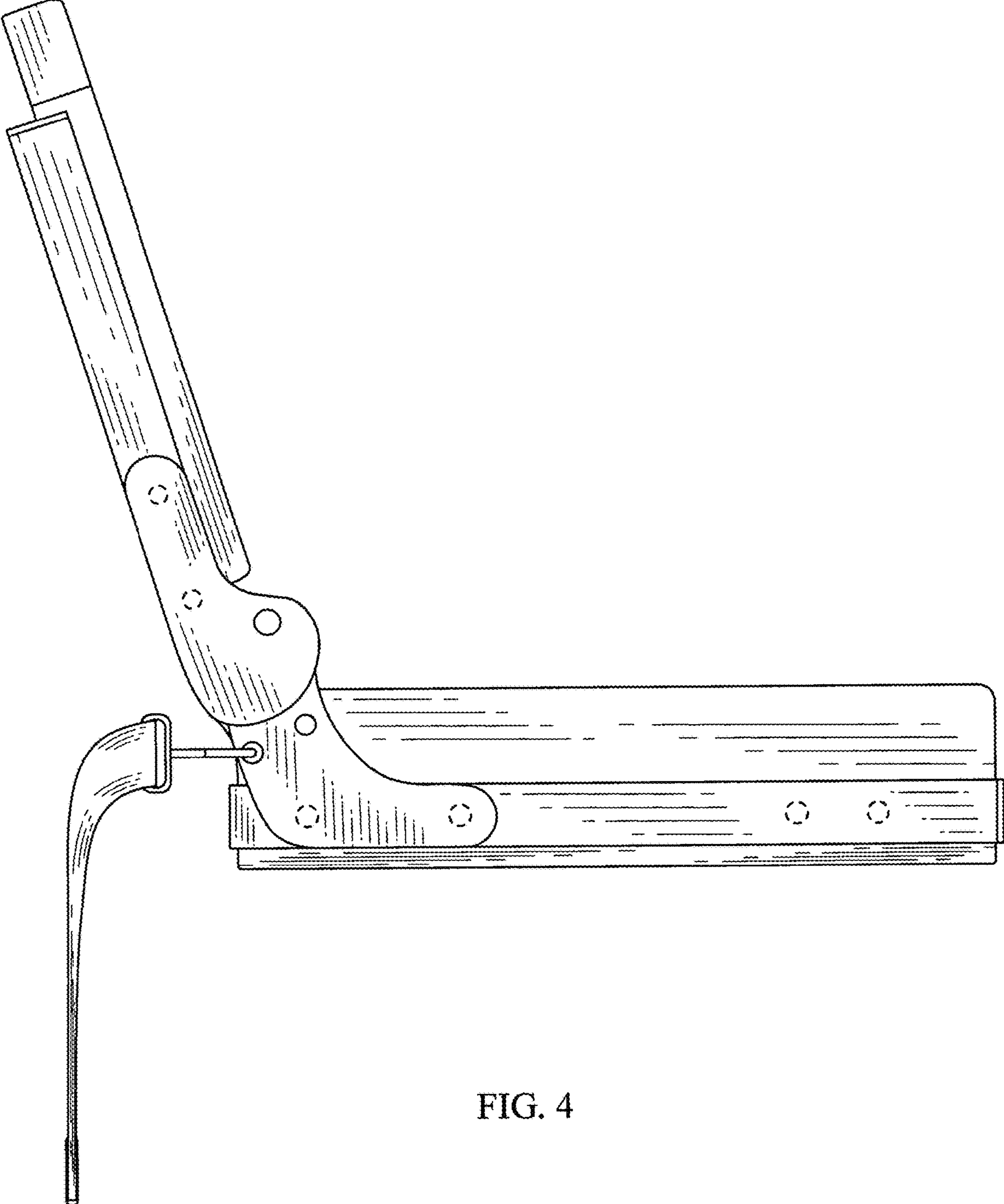


FIG. 4

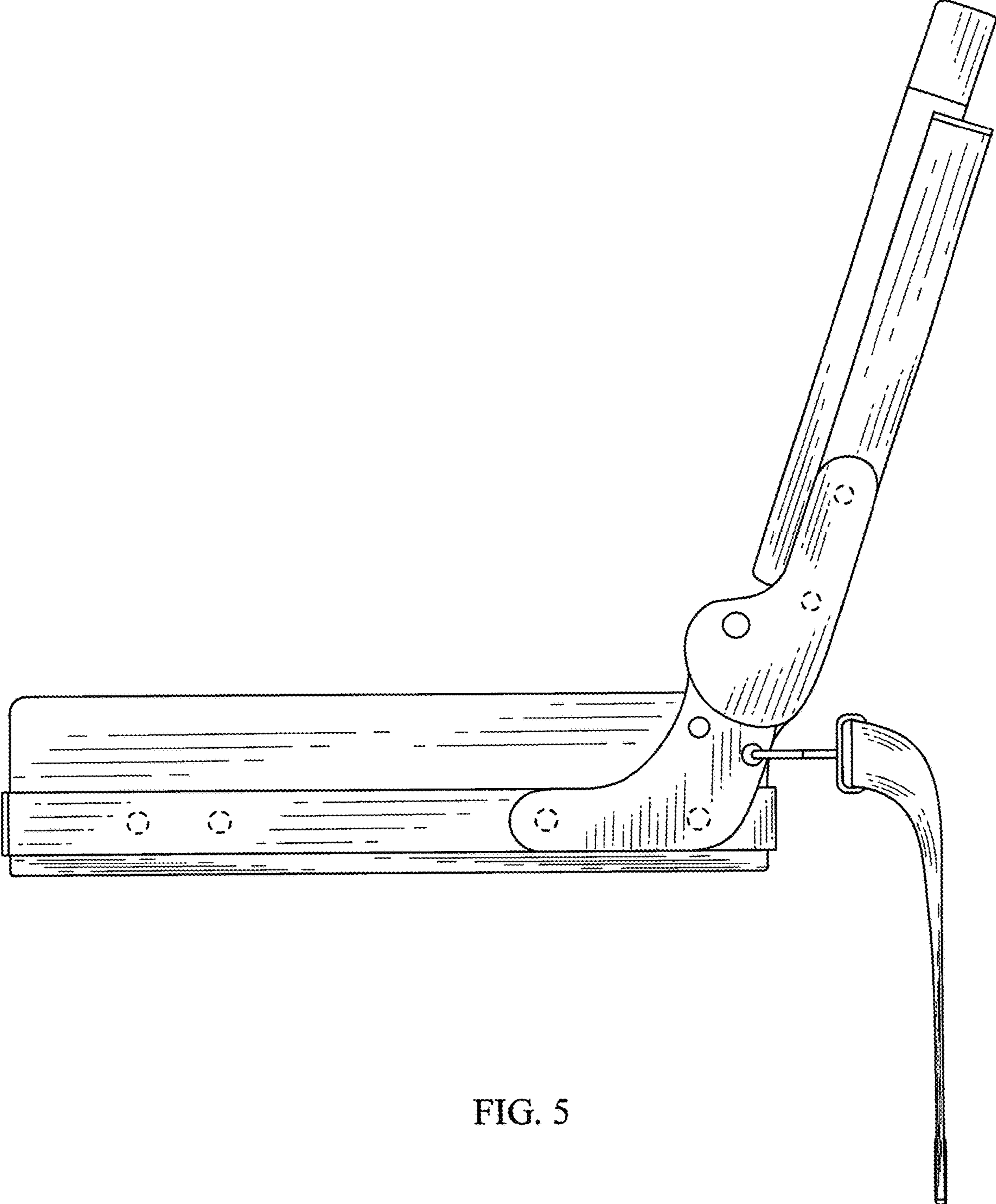


FIG. 5

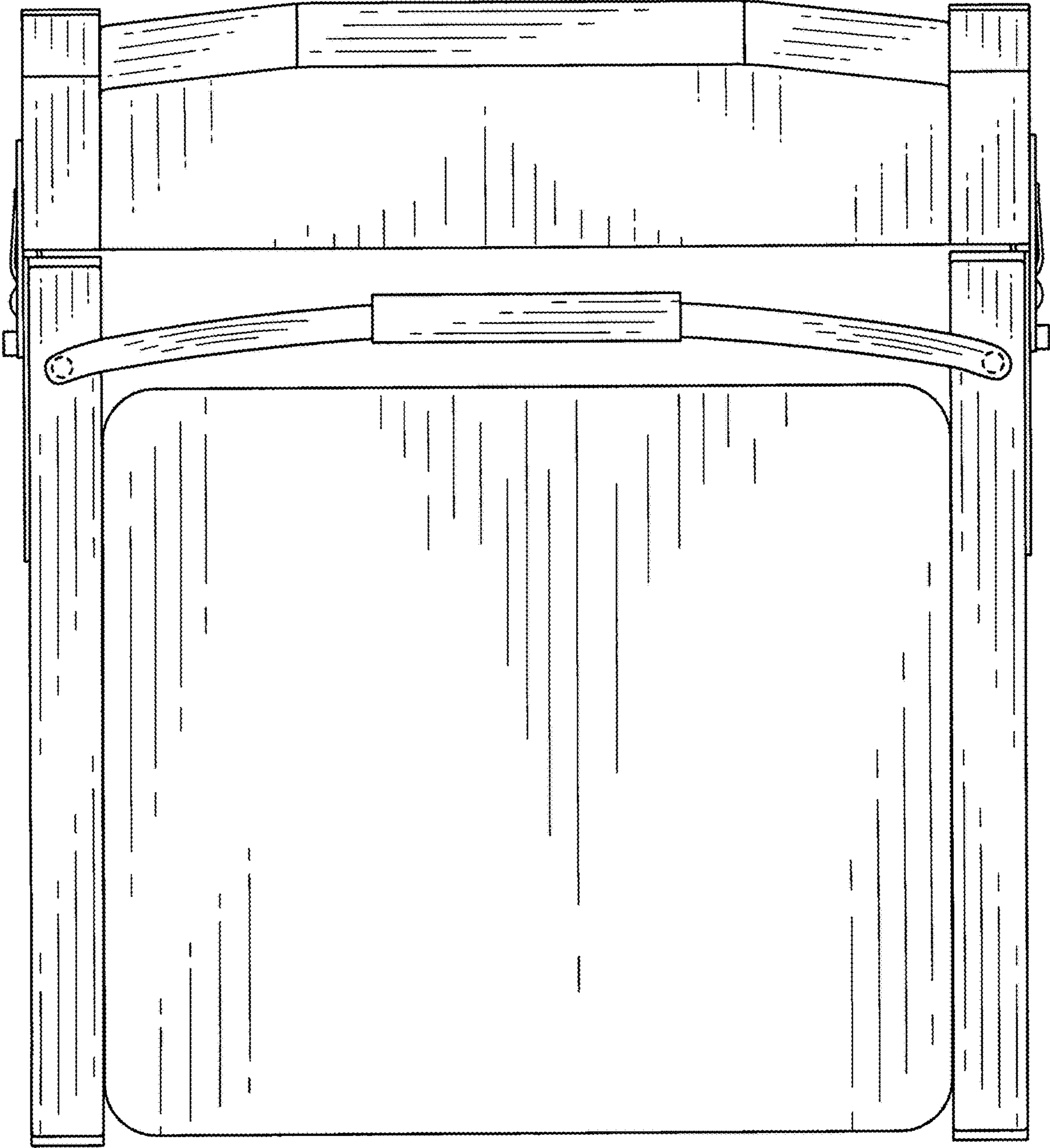


FIG. 6



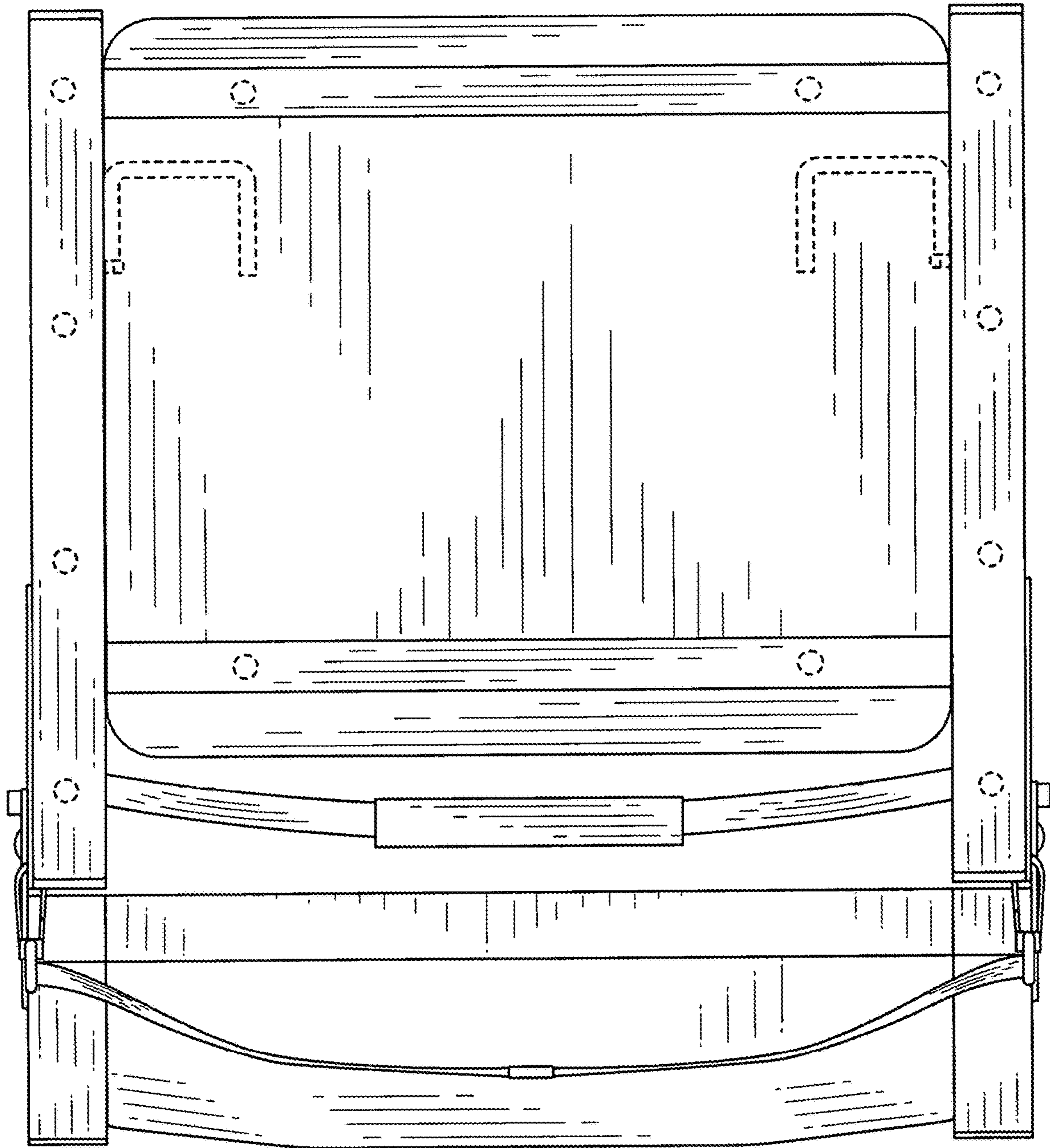


FIG. 7