



US00D955129S

(12) **United States Design Patent** (10) **Patent No.:** **US D955,129 S**  
**Shao** (45) **Date of Patent:** **\*\* Jun. 21, 2022**

(54) **CHAIR**  
(71) Applicant: **NINGBO BEYOND INTELLIGENT TECHNOLOGY CO., LTD.**, Ningbo (CN)  
(72) Inventor: **Juan Shao**, Shenzhen (CN)  
(73) Assignee: **NINGBO BEYOND INTELLIGENT TECHNOLOGY CO., LTD.**, Ningbo (CN)

D859,865 S \* 9/2019 Berlinches ..... D6/366  
D879,493 S \* 3/2020 Peng ..... D6/366  
D885,779 S \* 6/2020 Li ..... D6/366  
D897,709 S \* 10/2020 Li ..... D6/366  
D905,993 S \* 12/2020 Wu ..... D6/366  
D910,329 S \* 2/2021 Wang ..... D6/366  
D915,093 S \* 4/2021 Shen ..... D6/366  
D918,634 S \* 5/2021 Peng ..... D6/716.1  
D923,350 S \* 6/2021 Chen ..... D6/366

(Continued)

(\*\*) Term: **15 Years**  
(21) Appl. No.: **29/779,958**  
(22) Filed: **Apr. 21, 2021**  
(51) **LOC (13) Cl.** ..... **06-01**  
(52) **U.S. Cl.**  
USPC ..... **D6/366**  
(58) **Field of Classification Search**  
USPC ..... D6/334-336, 356, 364, 365, 366, 367,  
D6/374, 375, 379, 716, 716.1, 716.2,  
D6/716.4, 708.23, 708.24  
CPC ..... A47C 4/028; A47C 7/004; A47C 7/006;  
A47C 7/18; A47C 7/24; A47C 7/38;  
A47C 7/40; B60N 2/02; B60N 2/20;  
B60N 2/22; B60N 2/58; B60N 2/64;  
B60N 2/643; B60N 2/646  
See application file for complete search history.

**OTHER PUBLICATIONS**

1996 Series Gaming Chair With Massage Lumbar Pillow & 2D Armrest By HDCANADA, from hdcanada.ca, Retrieved Date: Sep. 1, 2021, p. 1, from [https://hdcanada.ca/products/1996-gaming-chair-by-hdcanada?currency=CAD&variant=39321907462167&utm\\_medium=cpc&utm\\_source=google&utm\\_campaign=Google%20Shopping](https://hdcanada.ca/products/1996-gaming-chair-by-hdcanada?currency=CAD&variant=39321907462167&utm_medium=cpc&utm_source=google&utm_campaign=Google%20Shopping) (Year: 2021).\*

(Continued)

*Primary Examiner* — Mimosa De  
(74) *Attorney, Agent, or Firm* — Georgi Korobanov

(57) **CLAIM**

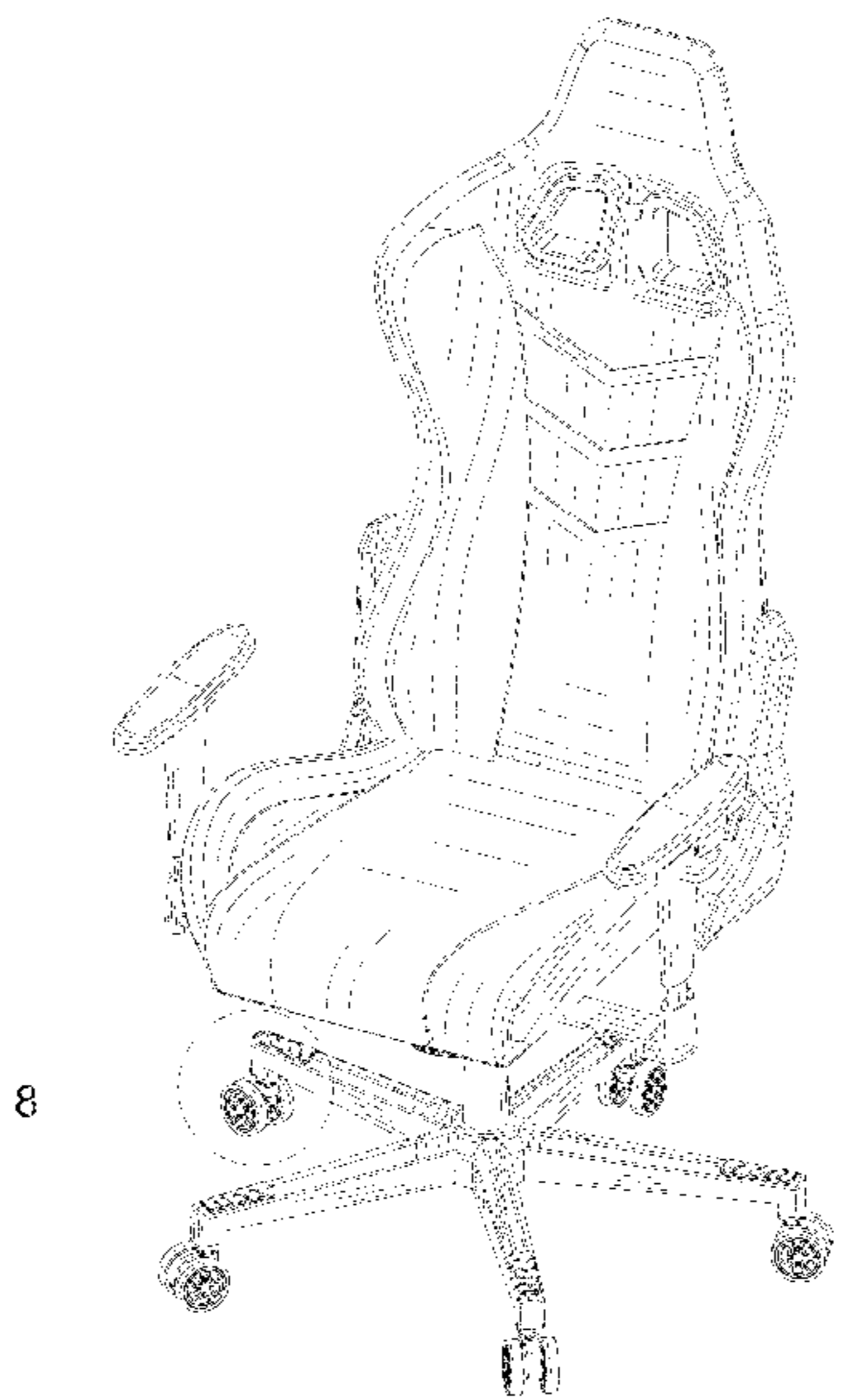
The ornamental design for a chair, as shown and described.

**DESCRIPTION**

FIG. 1 is a perspective view of a chair showing my new design;  
FIG. 2 is a front view thereof;  
FIG. 3 is a back view thereof;  
FIG. 4 is a left side view thereof;  
FIG. 5 is a right side view thereof;  
FIG. 6 is a top plan view thereof;  
FIG. 7 is a bottom plan view thereof;  
FIG. 8 is an enlarged view of portion of FIG. 1; and,  
FIG. 9 is an enlarged view of portion of FIG. 2.  
The broken lines are shown for the purpose of illustrating portions of the chair and forms no part of the claimed design.

**1 Claim, 9 Drawing Sheets**

(56) **References Cited**  
U.S. PATENT DOCUMENTS  
D509,077 S \* 9/2005 Beermann ..... D6/356  
D549,475 S \* 8/2007 Su ..... D6/356  
D612,623 S \* 3/2010 Smit ..... D6/366  
D667,232 S 9/2012 Yang  
D696,055 S 12/2013 Steelcase  
D706,048 S \* 6/2014 Wang ..... D6/366  
D856,696 S \* 8/2019 Shen ..... D6/366  
D856,698 S \* 8/2019 Shen ..... D6/366



(56)

**References Cited**

U.S. PATENT DOCUMENTS

D933,984 S \* 10/2021 Wu ..... D6/366  
D942,171 S \* 2/2022 Wu ..... D6/366  
2021/0345786 A1\* 11/2021 Peng ..... A47C 7/38

OTHER PUBLICATIONS

Blue Ergonomic Backrest Computer Game Chair with Headrest and Lumbar Pillow Support, from homedepot.com, Retrieved Date: Sep. 1, 2021, p. 1, from <https://www.homedepot.com/p/Blue-Ergonomic-Backrest-Computer-Game-Chair-with-Headrest-and-Lumbar-Pillow-Support-XS-263-BL/316143479?source=shoppingads&locale=en-US> (Year: 2021).\*

\* cited by examiner

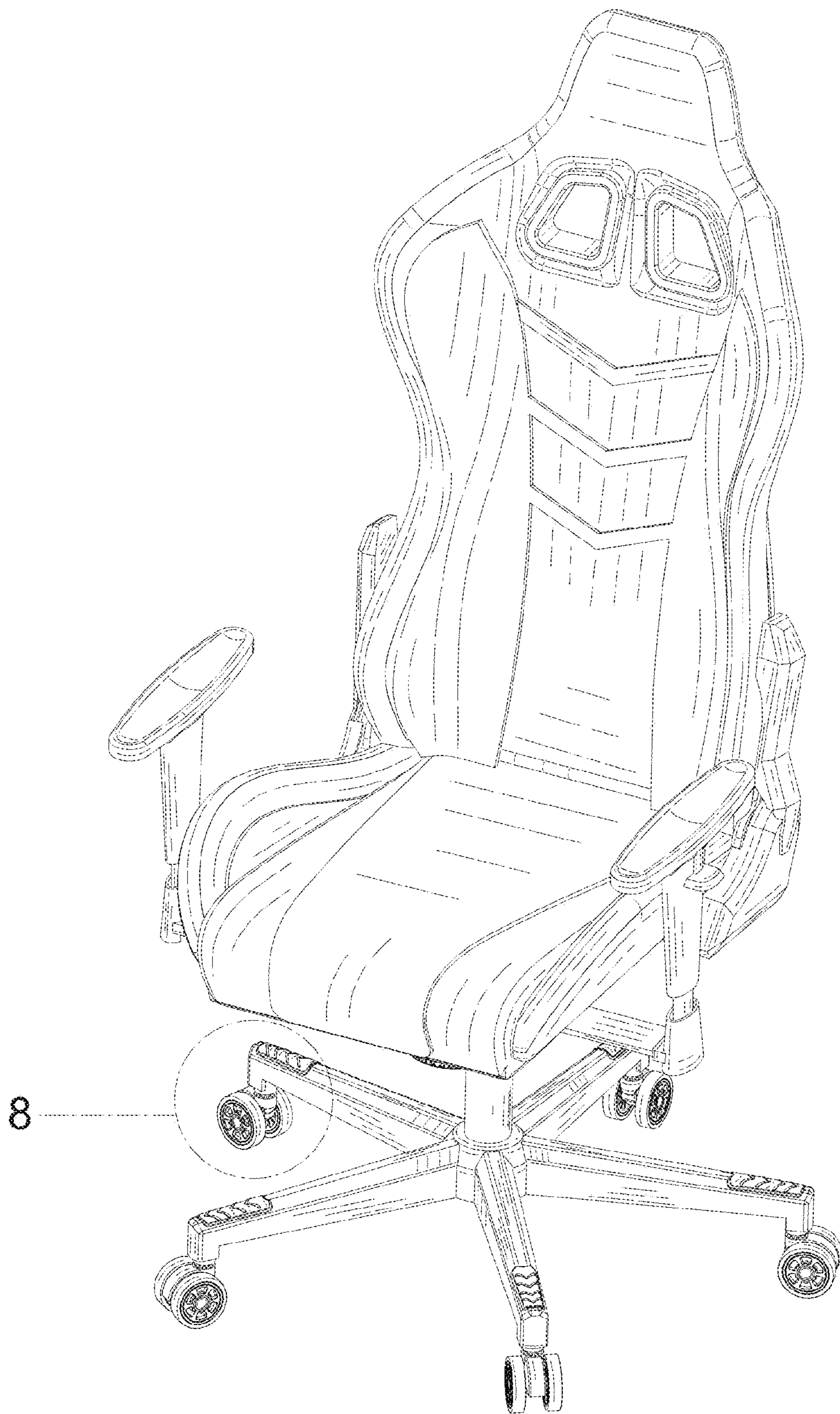


FIG. 1



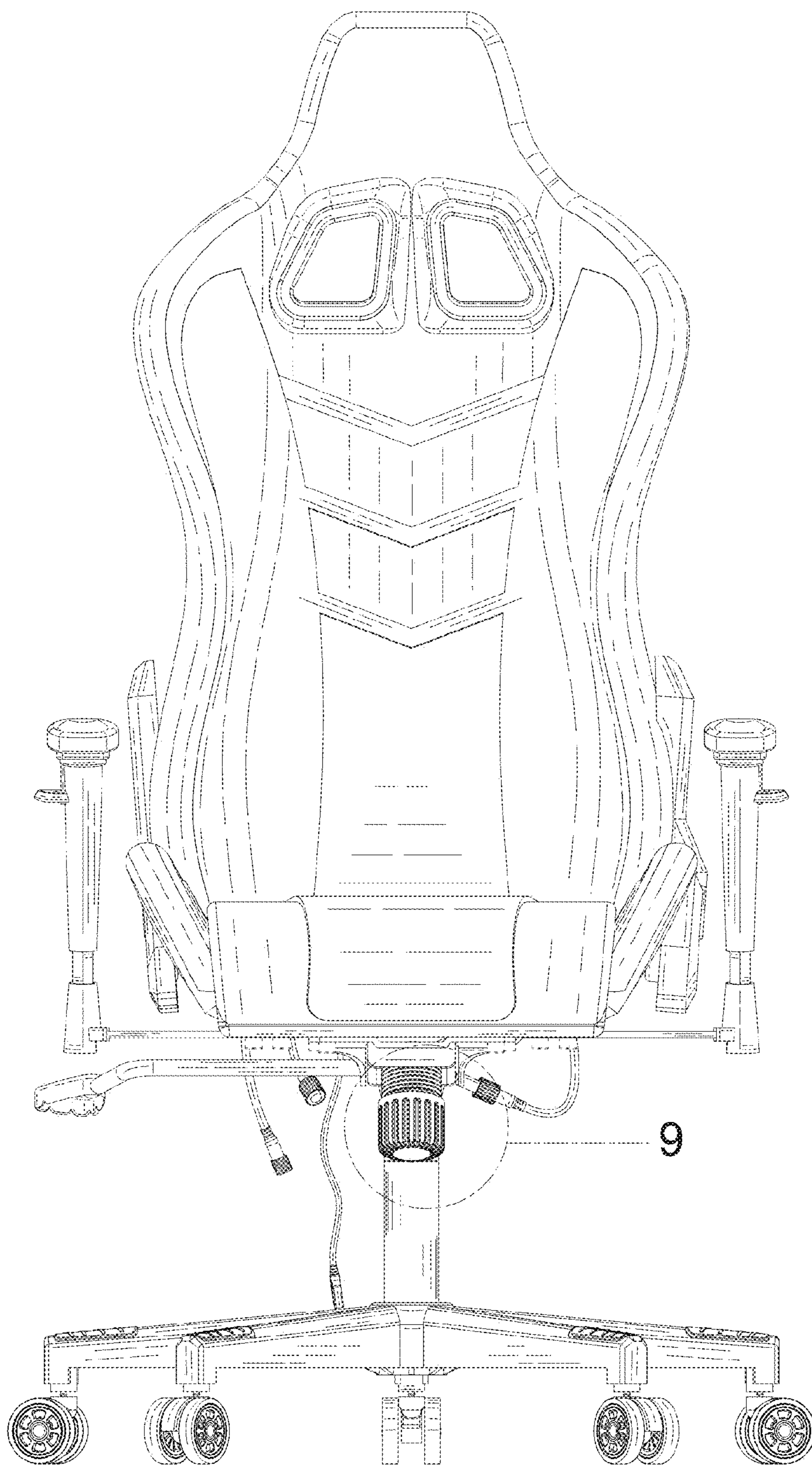


FIG. 2

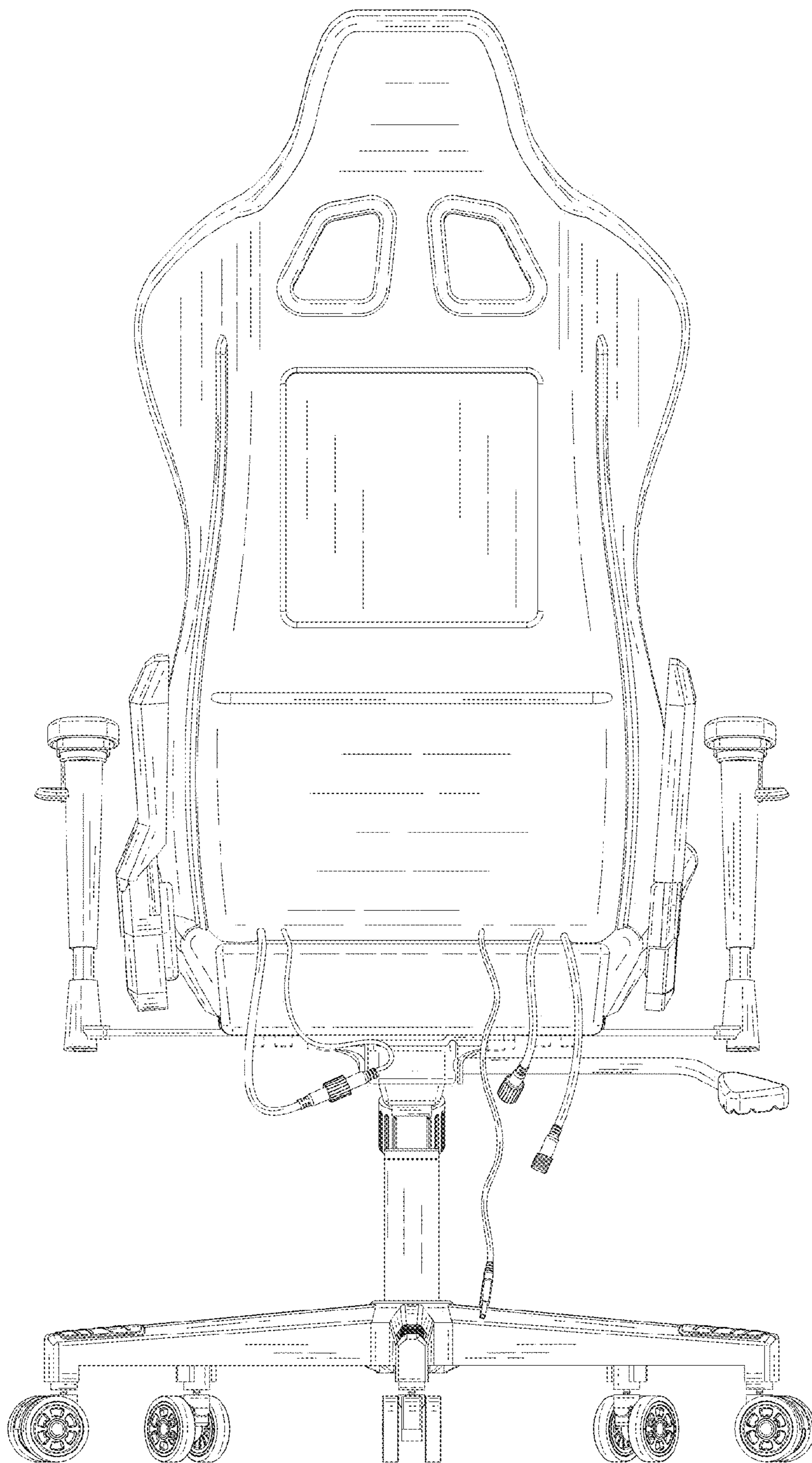


FIG. 3

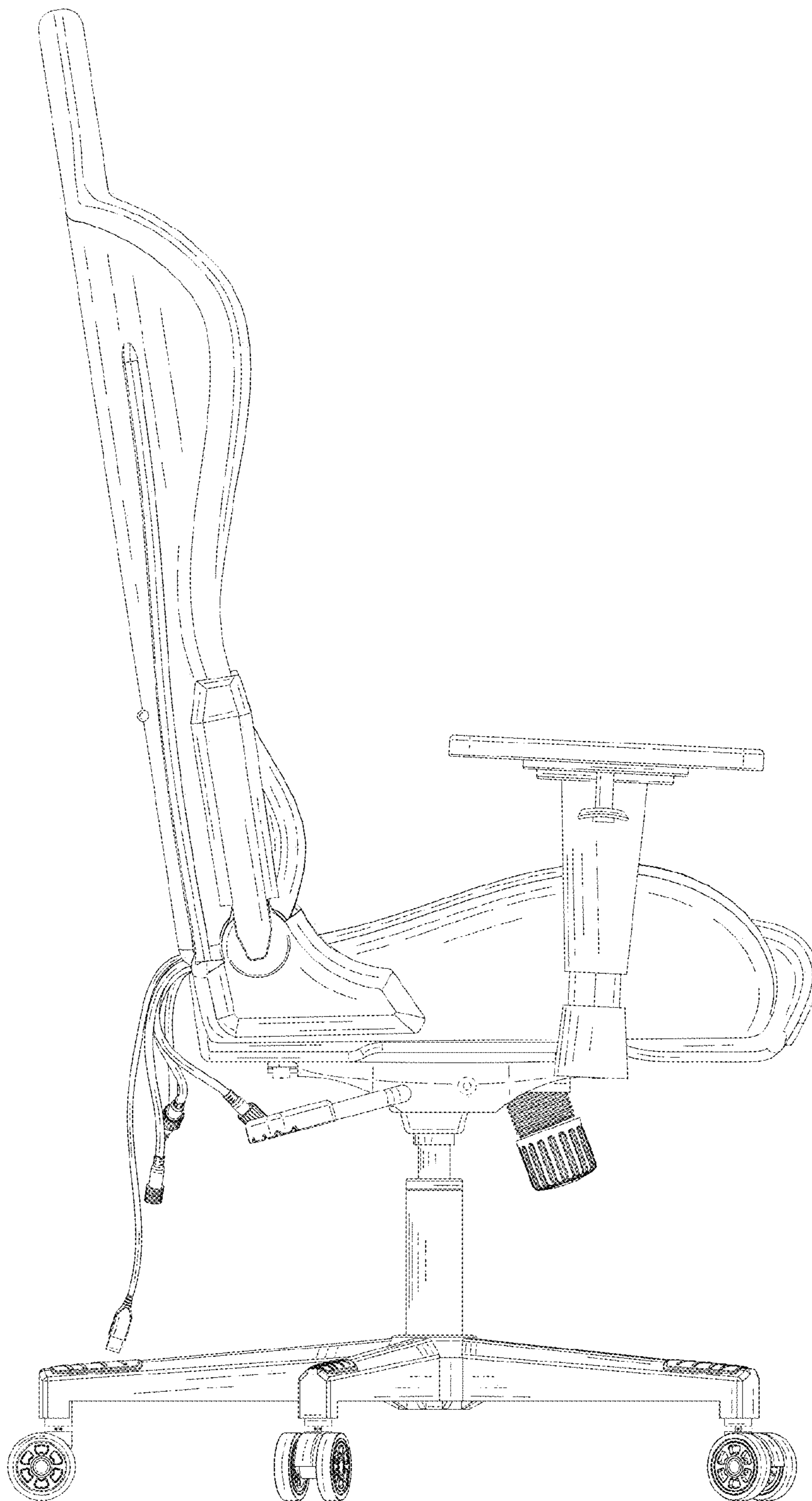


FIG. 4



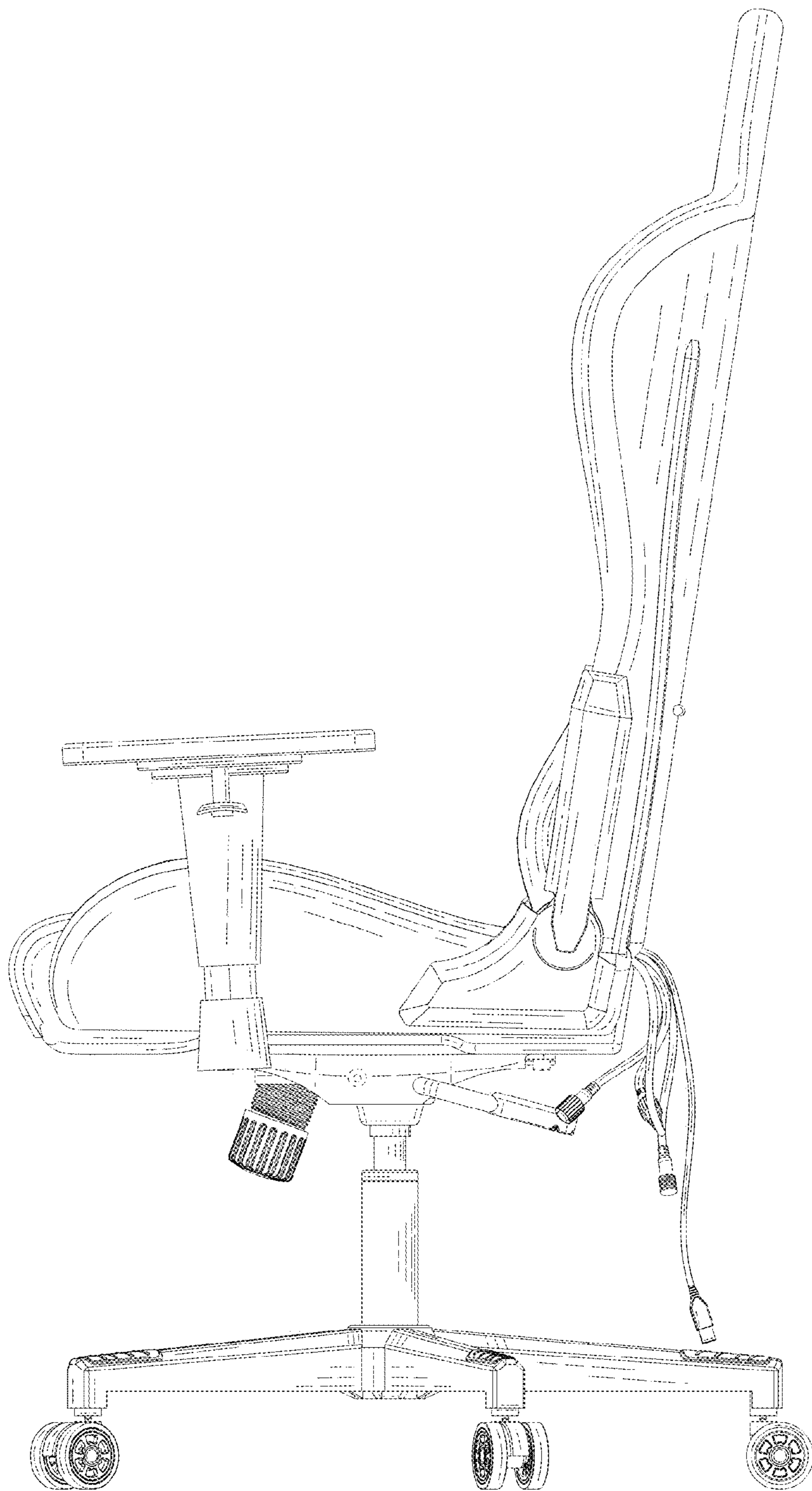


FIG. 5

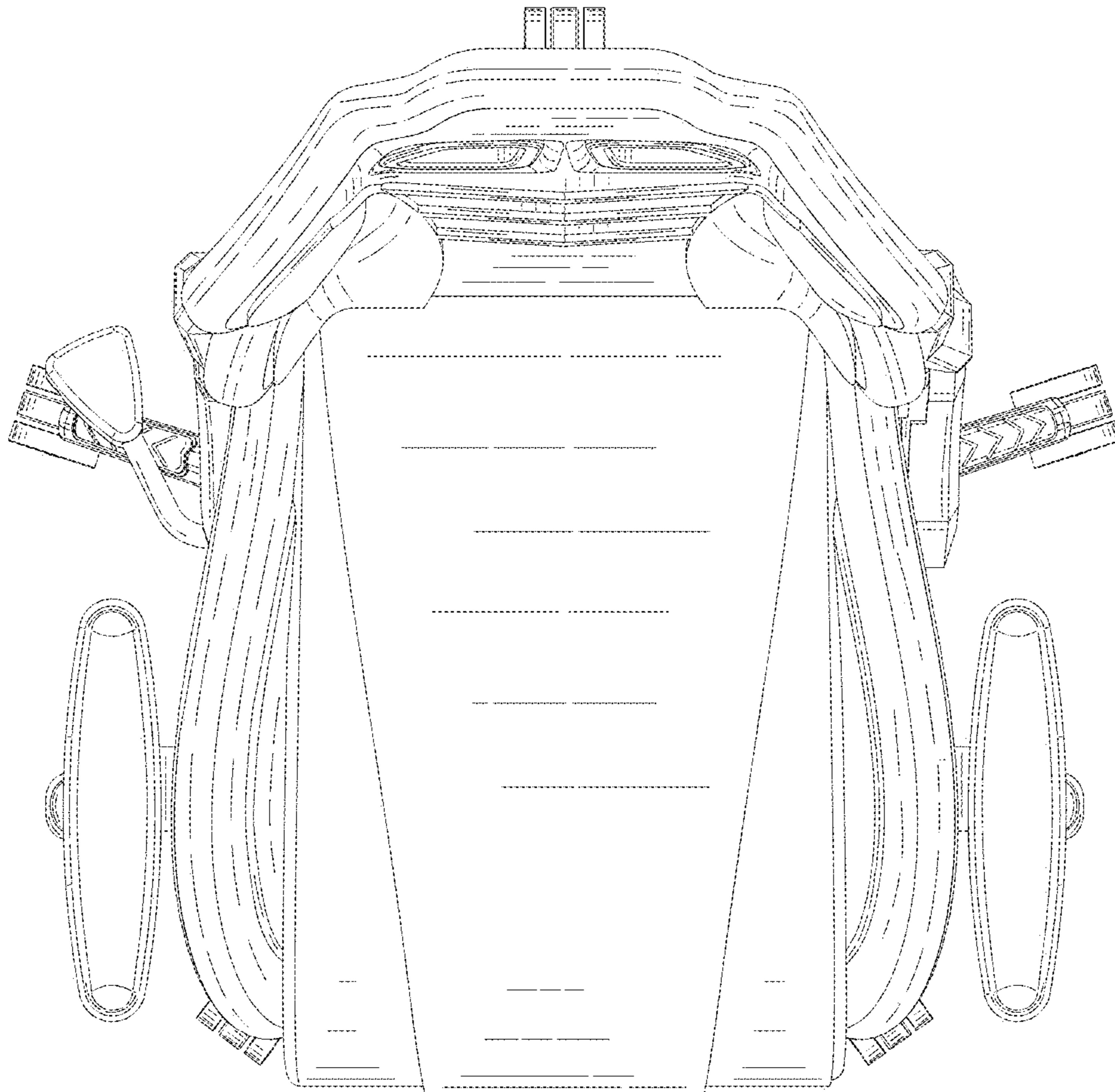


FIG. 6



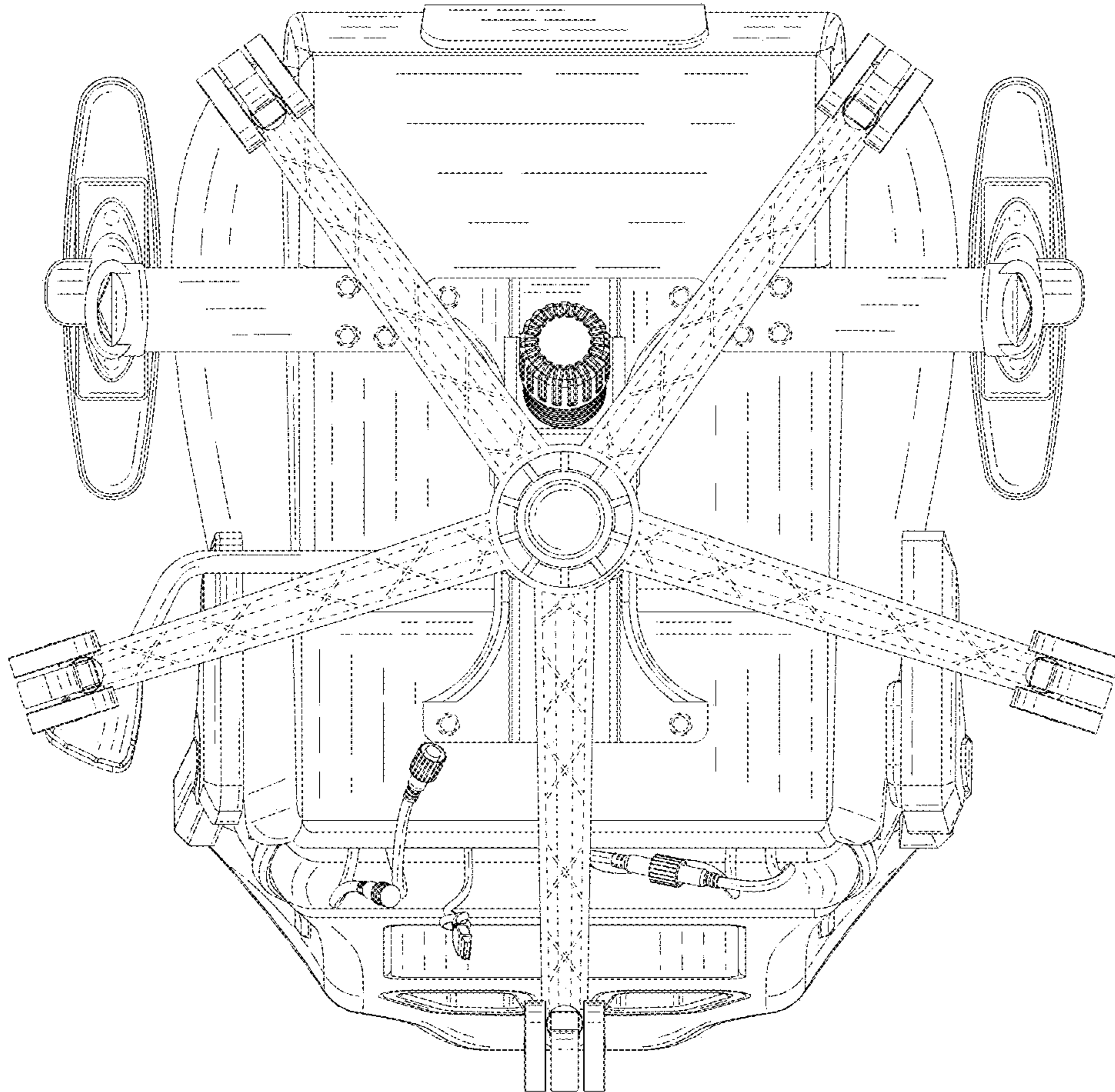


FIG. 7

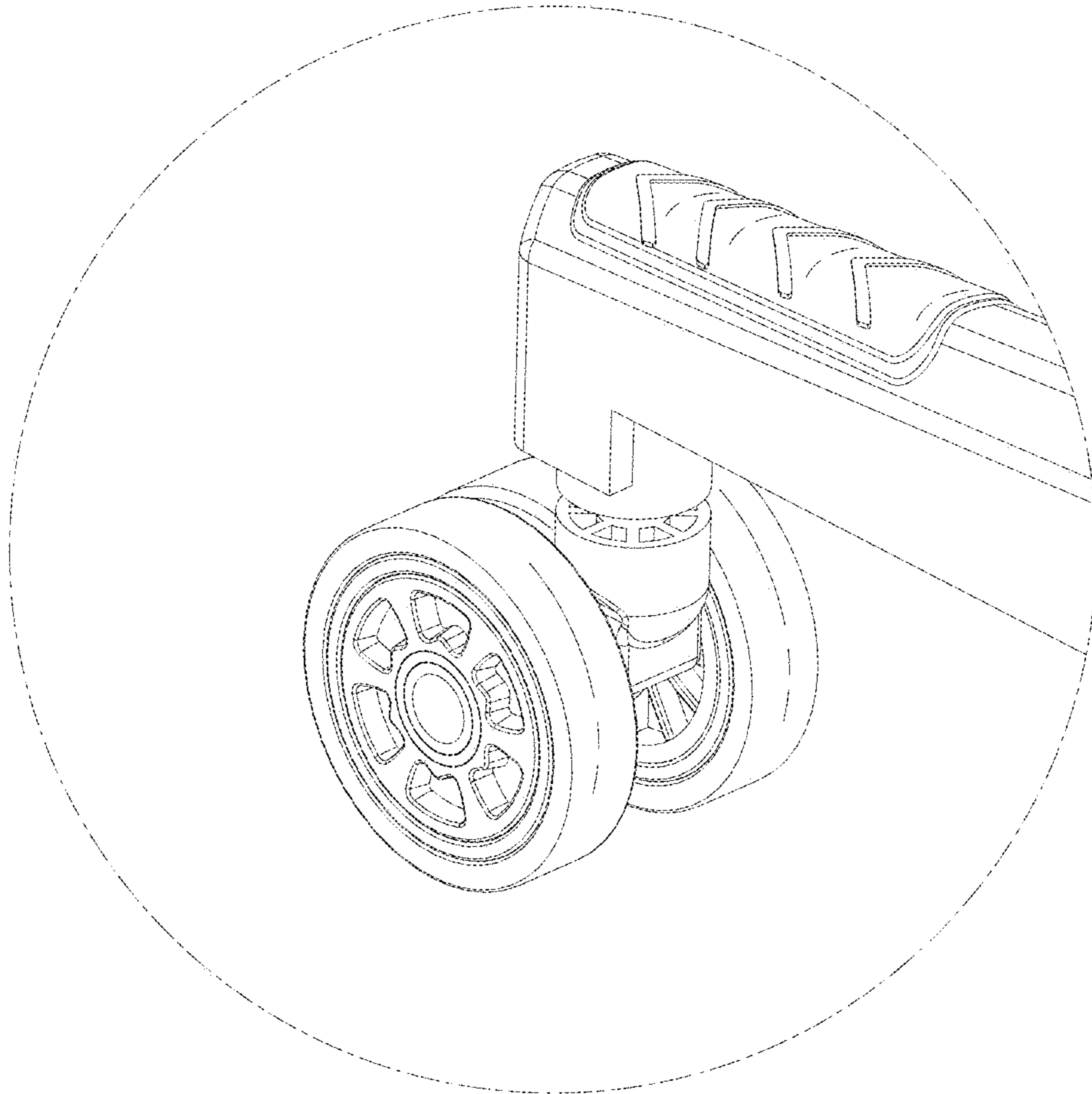


FIG. 8

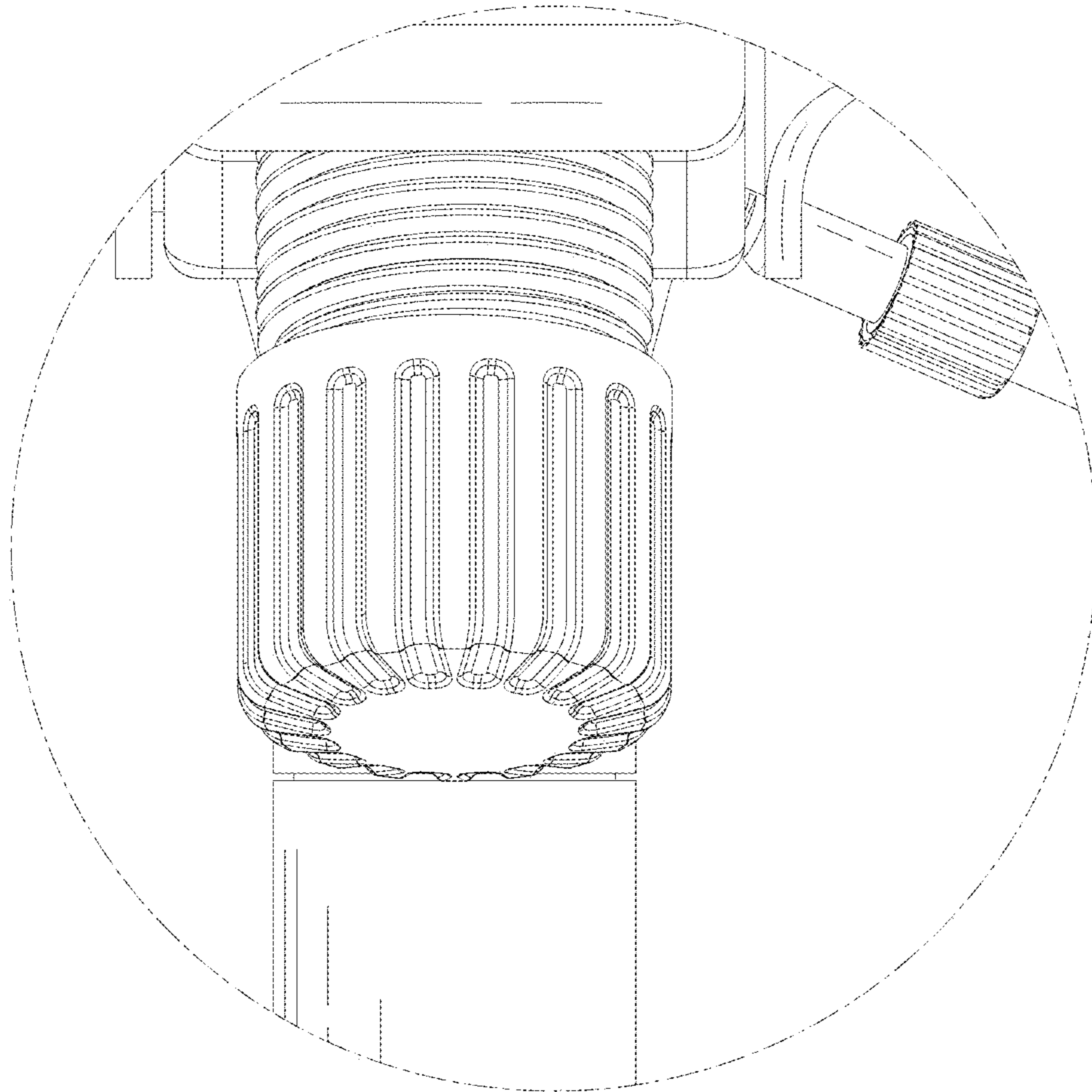


FIG. 9