



US00D955128S

(12) **United States Design Patent**
Feng

(10) **Patent No.:** **US D955,128 S**
(45) **Date of Patent:** **** Jun. 21, 2022**

(54) **SWIVEL CHAIR**

(71) Applicant: **Hangzhou Points And Lines Technology Co., Ltd., Hangzhou (CN)**

(72) Inventor: **Xiaowei Feng, Hangzhou (CN)**

(73) Assignee: **Hangzhou Points And Lines Technology Co., Ltd., Hangzhou (CN)**

(**) Term: **15 Years**

(21) Appl. No.: **29/767,194**

(22) Filed: **Jan. 21, 2021**

(30) **Foreign Application Priority Data**

Dec. 6, 2020 (CN) 202030748642.6

(51) **LOC (13) Cl.** **06-01**

(52) **U.S. Cl.**
USPC **D6/366**

(58) **Field of Classification Search**

USPC D6/333, 334, 344, 348, 349, 350, 355,
D6/360, 361, 364, 366, 367, 369, 370,
D6/374, 375, 379, 380, 381, 716, 716.4

CPC A47C 1/02; A47C 1/022; A47C 1/024;
A47C 1/032; A47C 1/03255; A47C 1/11;
A47C 1/143; A47C 3/18; A47C 3/02;
A47C 3/025; A47C 3/026; A47C 7/002;
A47C 7/004; A47C 7/18; A47C 7/185;
A47C 7/36; A47C 7/46; A47C 9/007;
A47C 11/00; A47C 11/005

See application file for complete search history.

(56) **References Cited**

U.S. PATENT DOCUMENTS

D852,525 S * 7/2019 Peterson D6/366
D878,788 S * 3/2020 Wang D6/366

D889,867 S * 7/2020 Guelfo D6/366
D893,907 S * 8/2020 Borgenhov D6/366
D903,354 S * 12/2020 Igarashi D6/366
D906,706 S * 1/2021 Wu D6/366
D907,935 S * 1/2021 Deevers D6/366
D908,380 S * 1/2021 Breen D6/366
D912,419 S * 3/2021 Chen D6/366
D929,757 S * 9/2021 Feng D6/366
D937,592 S * 12/2021 Ni D6/366
D937,593 S * 12/2021 Ni D6/366

* cited by examiner

Primary Examiner — R. Johnson

(74) *Attorney, Agent, or Firm* — Bayramoglu Law Offices LLC

(57) **CLAIM**

The ornamental design for a swivel chair, as shown and described.

DESCRIPTION

FIG. 1 is a rear perspective view of a swivel chair showing my new design;

FIG. 2 is a front view thereof;

FIG. 3 is a rear view thereof;

FIG. 4 is a left side view thereof;

FIG. 5 is a right side view thereof;

FIG. 6 is a top view thereof; and,

FIG. 7 is a bottom view thereof.

The broken lines shown in the drawings are for the purpose of illustrating portions of the swivel chair that form no part of the claimed design.

1 Claim, 7 Drawing Sheets

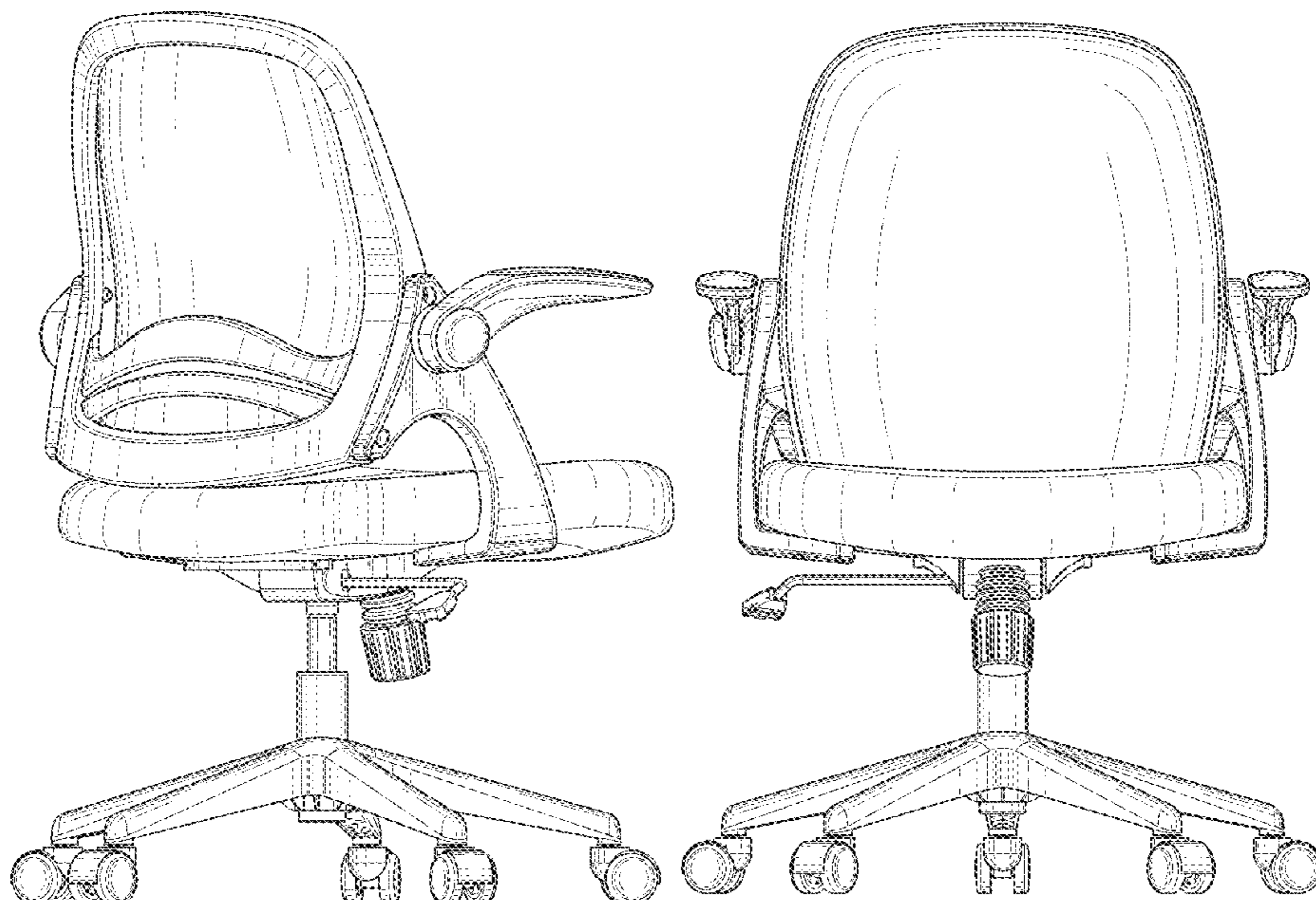




FIG. 1

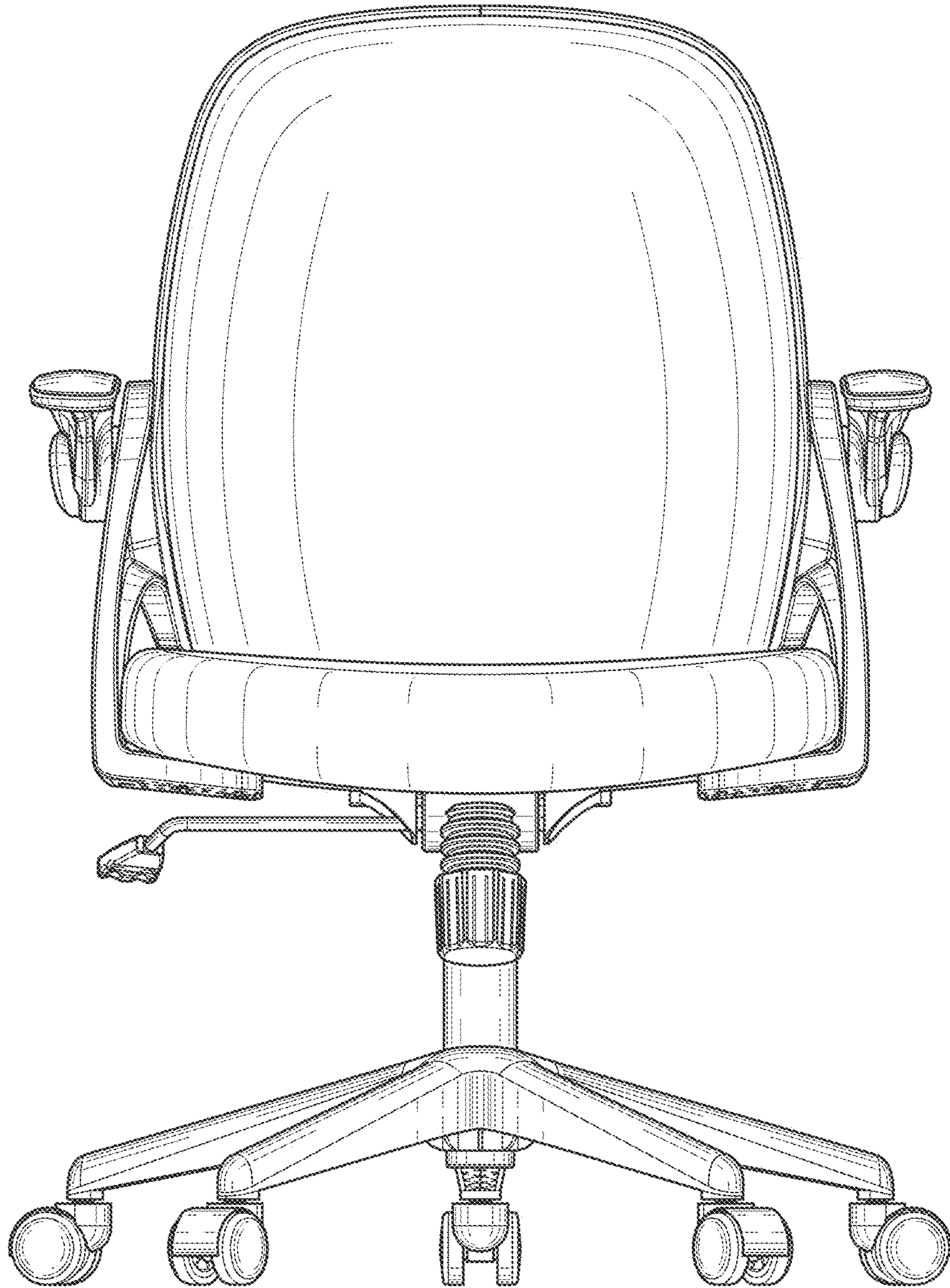


FIG. 2

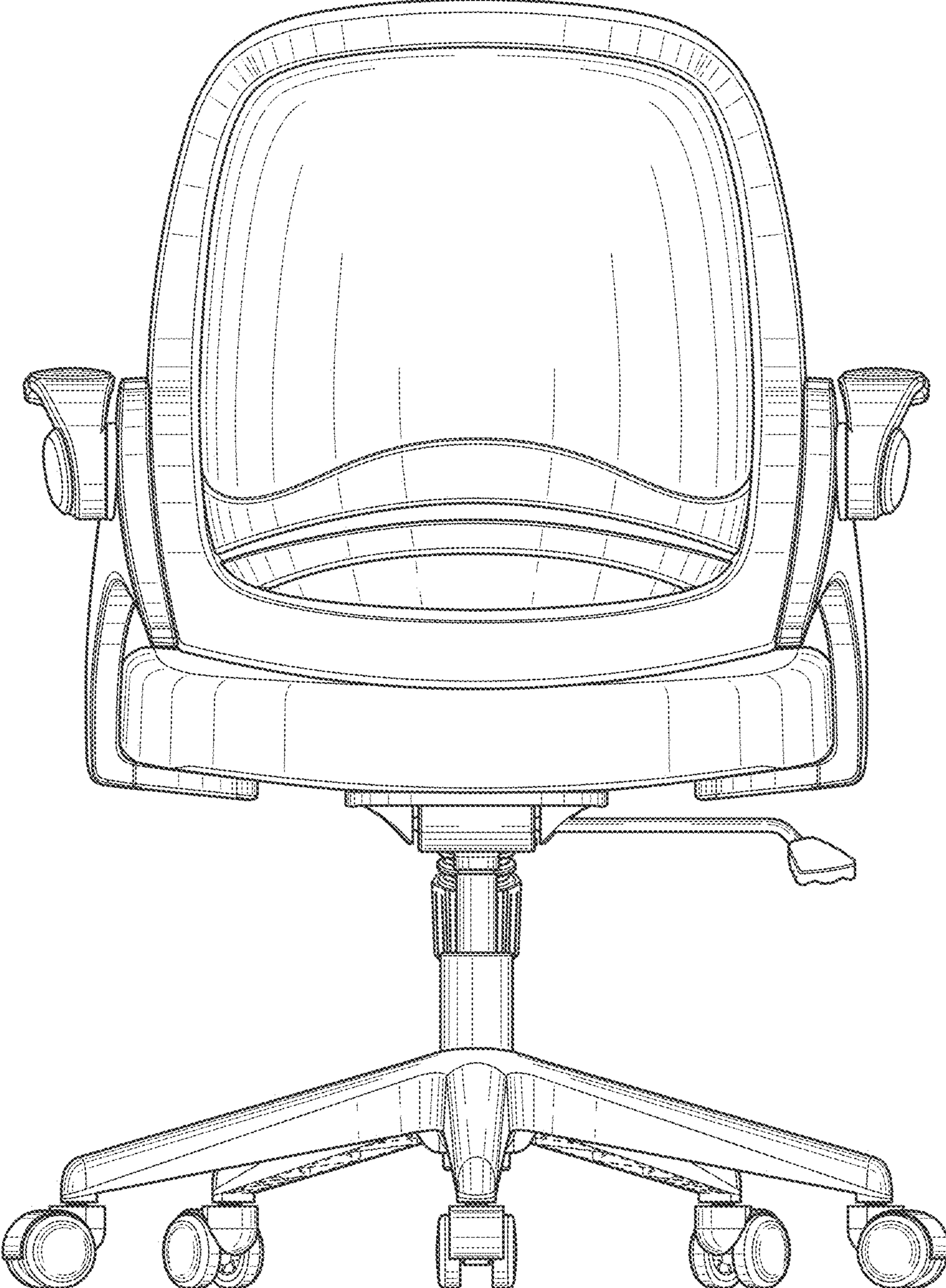


FIG. 3

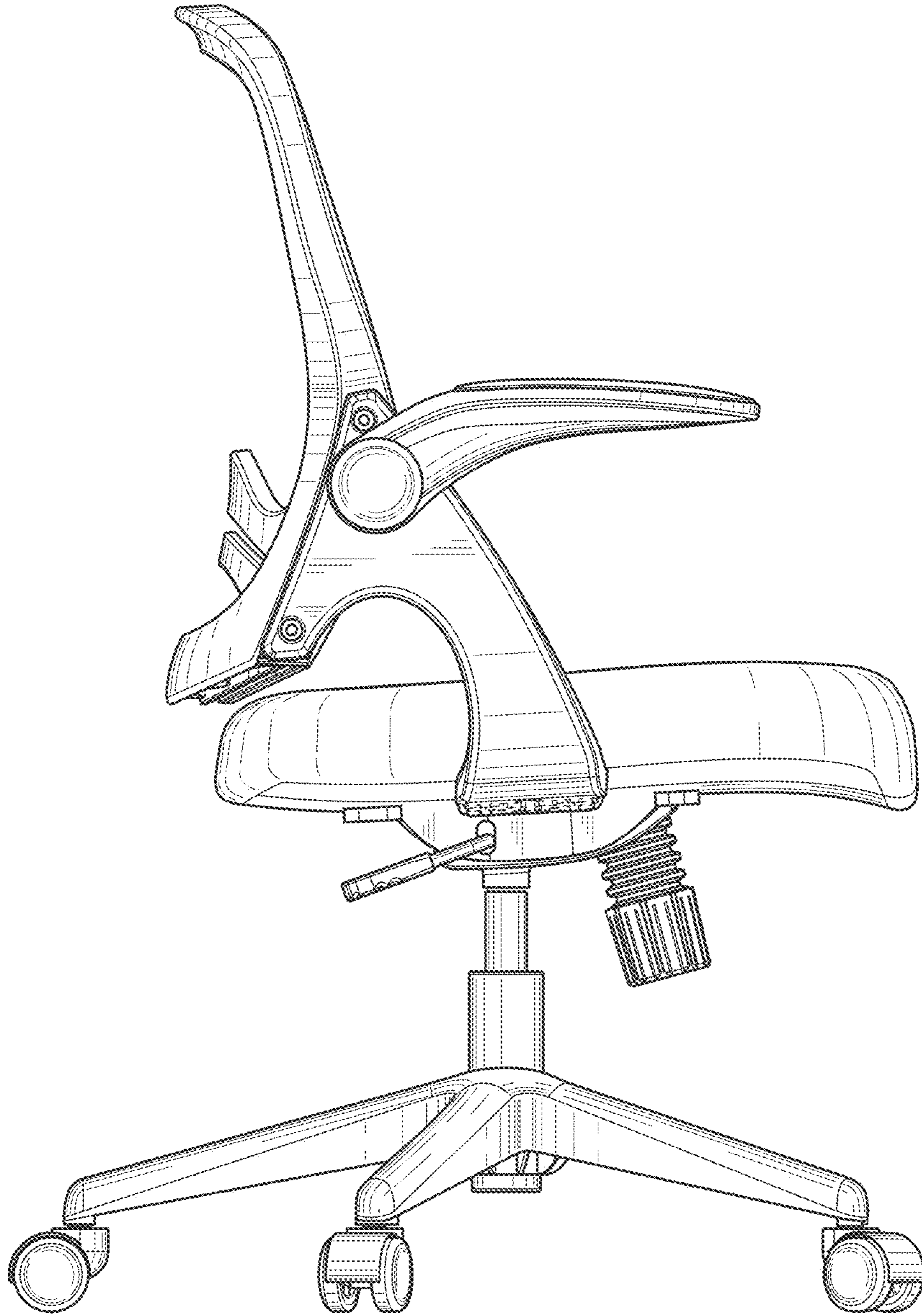


FIG. 4

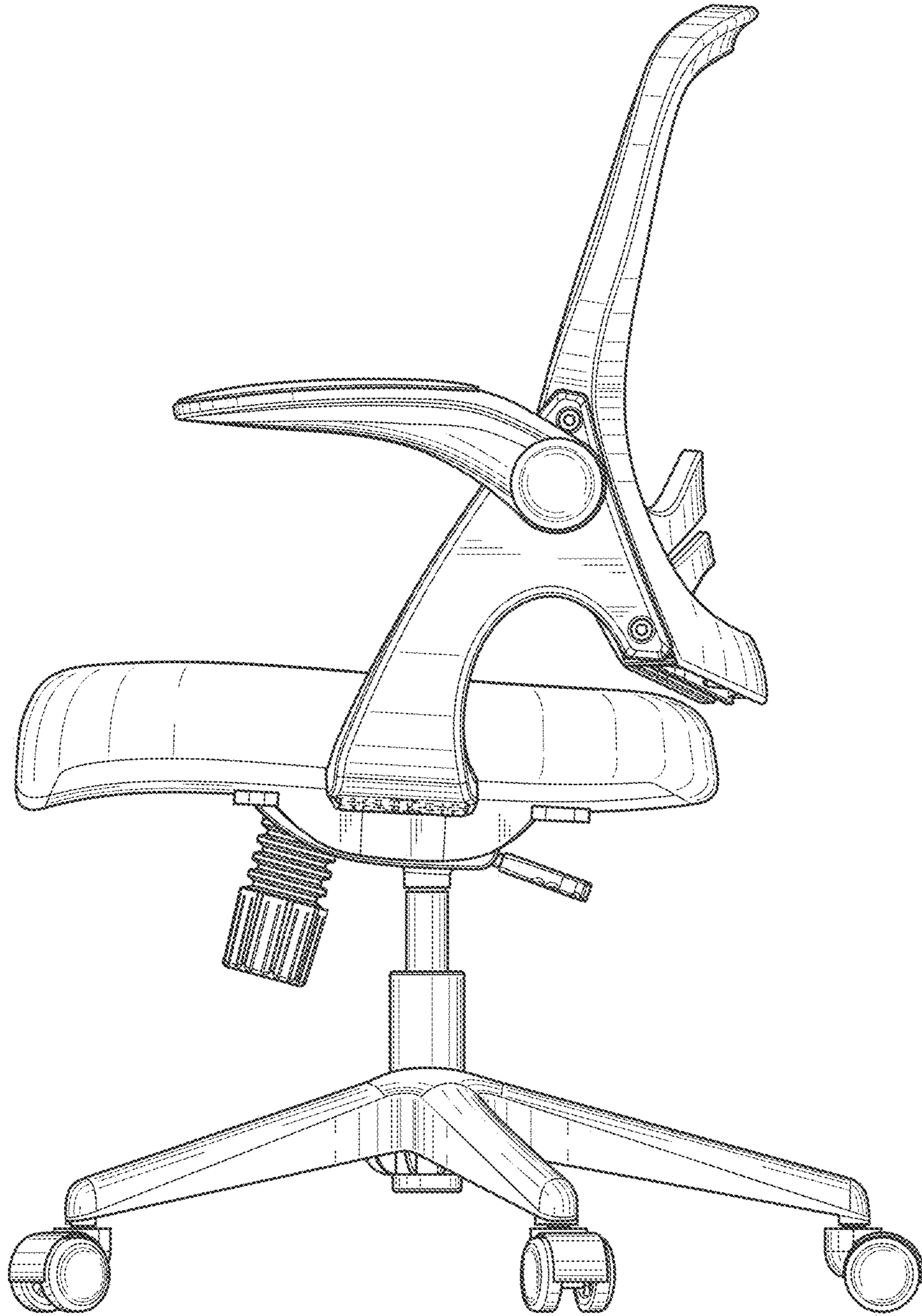


FIG. 5

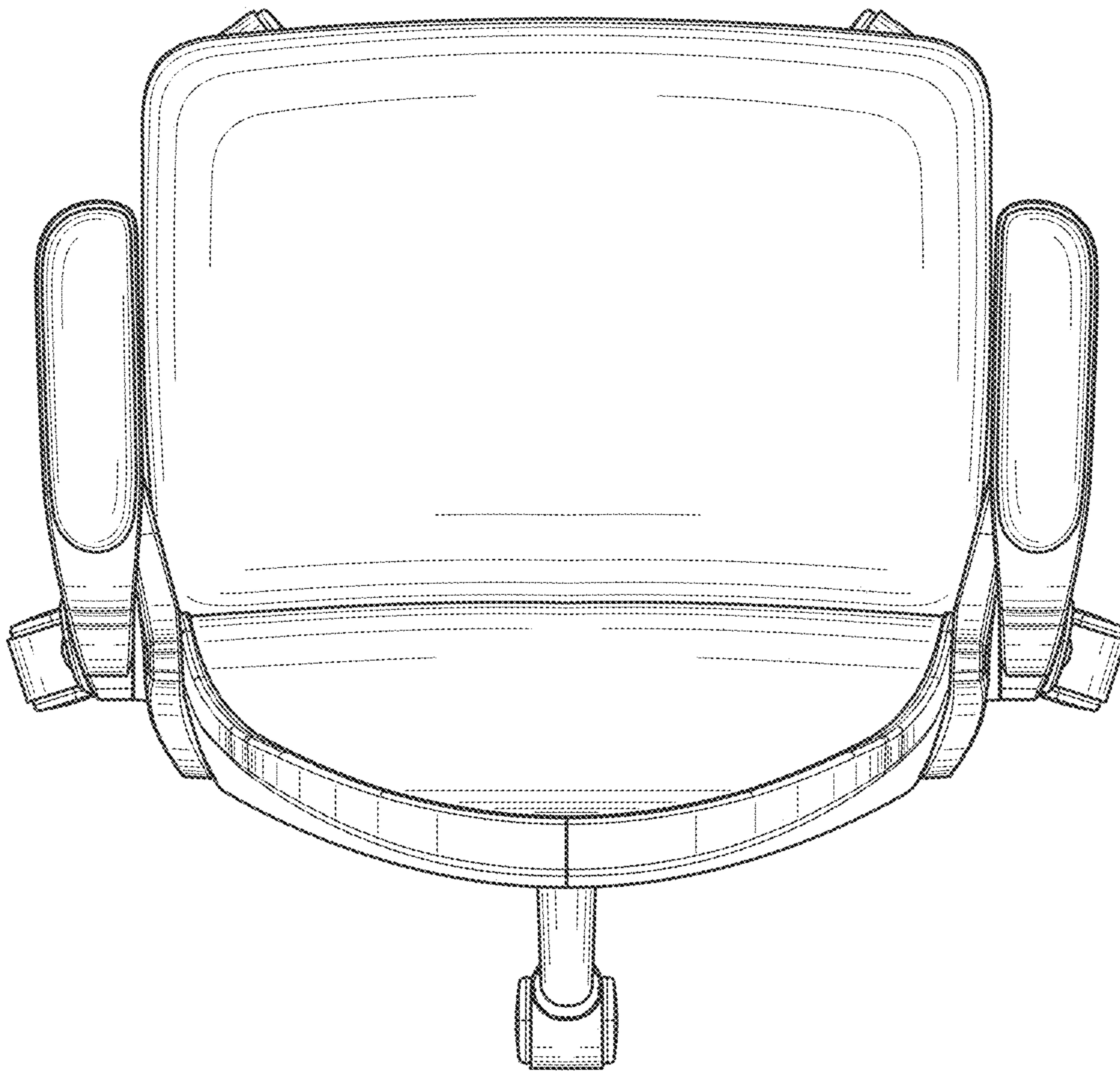


FIG. 6

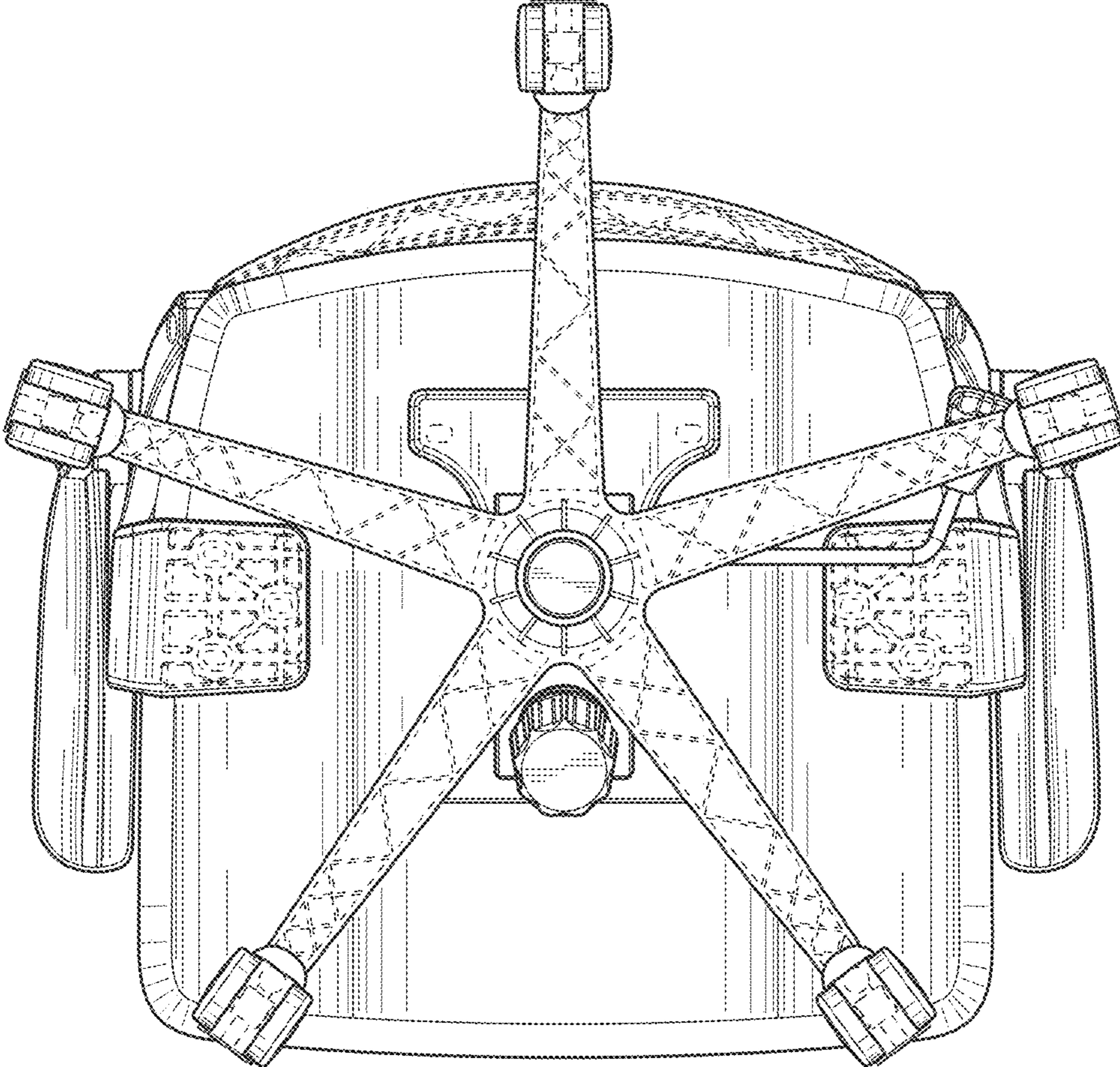


FIG. 7