



US00D955127S

(12) **United States Design Patent**
Hendifar

(10) **Patent No.:** **US D955,127 S**

(45) **Date of Patent:** **** Jun. 21, 2022**

(54) **CHAIR**

(71) Applicant: **Apparatus LLC**, New York, NY (US)

(72) Inventor: **Gabriel Hendifar**, New York, NY (US)

(73) Assignee: **APPARATUS LLC**, New York, NY (US)

(**) Term: **15 Years**

(21) Appl. No.: **29/652,930**

(22) Filed: **Jan. 13, 2021**

(51) **LOC (13) Cl.** **06-01**

(52) **U.S. Cl.**
USPC **D6/363**

(58) **Field of Classification Search**
USPC D6/334, 353, 355, 362, 363, 364, 365,
D6/367, 368, 370, 371, 374, 375, 376,
D6/379, 380, 716, 716.1
CPC .. A47C 1/00; A47C 1/12; A47C 3/121; A47C
3/00; A47C 3/04; A47C 3/045; A47C
3/16; A47C 4/04; A47C 4/18; A47C 7/18;
A47C 7/24; A47C 7/36; A47C 7/56;
A47C 15/00

See application file for complete search history.

(56) **References Cited**

U.S. PATENT DOCUMENTS

D148,511 S * 1/1948 Young D6/371
D358,042 S * 5/1995 Klein D6/334

D406,198 S * 3/1999 Lin D6/379
D423,803 S * 5/2000 Terrell D6/363
D460,871 S * 7/2002 Opsvik D6/367
D461,324 S * 8/2002 Opsvik D6/348
D512,576 S * 12/2005 Szyperski D6/368
D575,537 S * 8/2008 Petruccelli D6/334
D690,951 S * 10/2013 Schmitt D6/379
D741,080 S * 10/2015 Gharabegian D6/379
D814,205 S * 4/2018 Starck D6/380
D903,362 S * 12/2020 Jones D6/334
D914,389 S * 3/2021 Shibata D6/380

* cited by examiner

Primary Examiner — R. Johnson

(74) *Attorney, Agent, or Firm* — Gottlieb, Rackman & Reisman, P.C.

(57) **CLAIM**

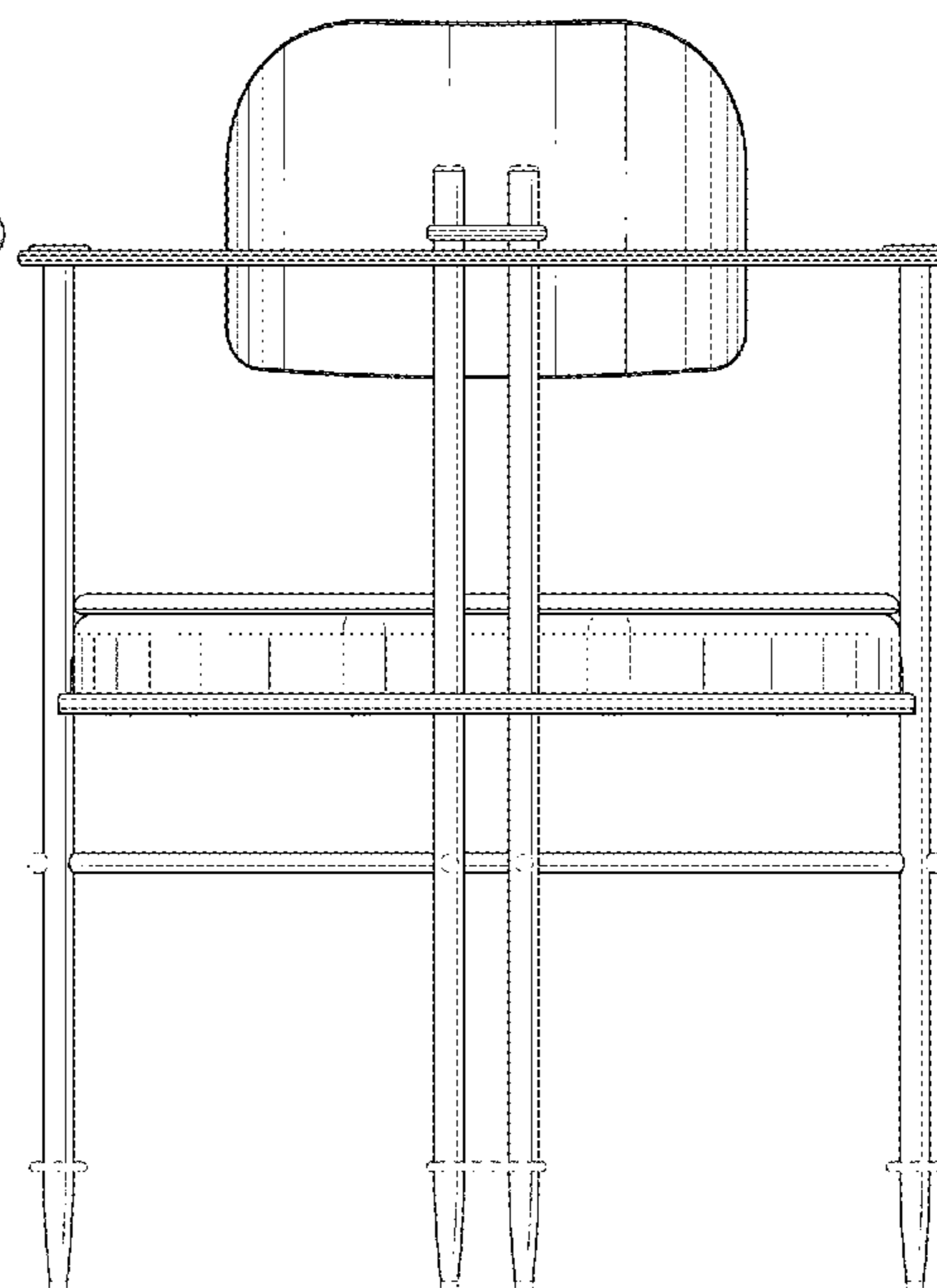
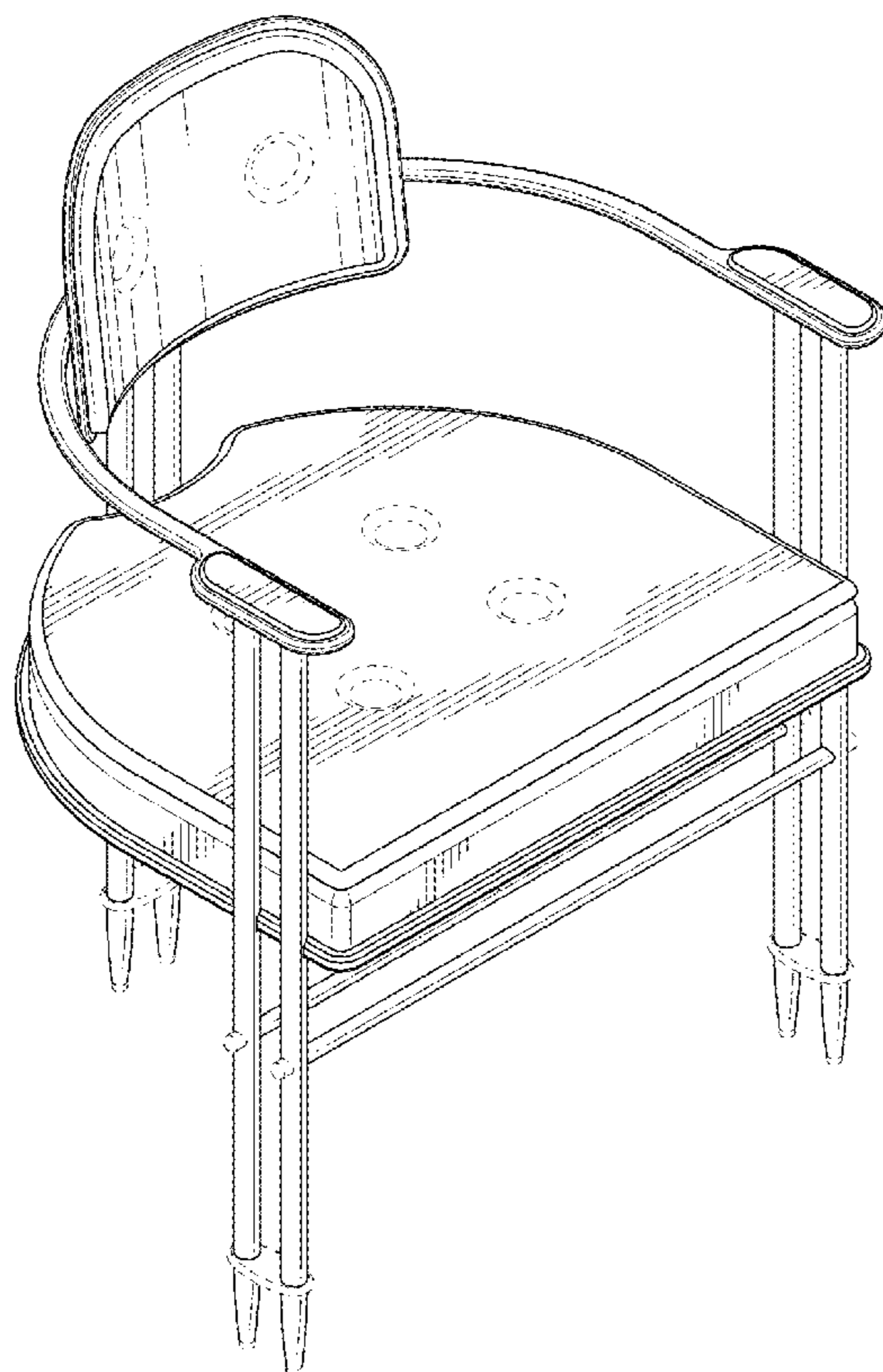
The ornamental design for a chair, as shown and described.

DESCRIPTION

FIG. 1 is a front top perspective view of a chair showing my new design;
FIG. 2 is a front elevational view of FIG. 1;
FIG. 3 is a rear elevational view of FIG. 1;
FIG. 4 is a left side elevational view of FIG. 1;
FIG. 5 is a right side elevational view of FIG. 1;
FIG. 6 is a top plan view of FIG. 1; and,
FIG. 7 is a bottom plan view of FIG. 1.

The broken lines shown in the drawings are included for the purpose of illustrating elements of the chair that form no part of the claimed design.

1 Claim, 7 Drawing Sheets



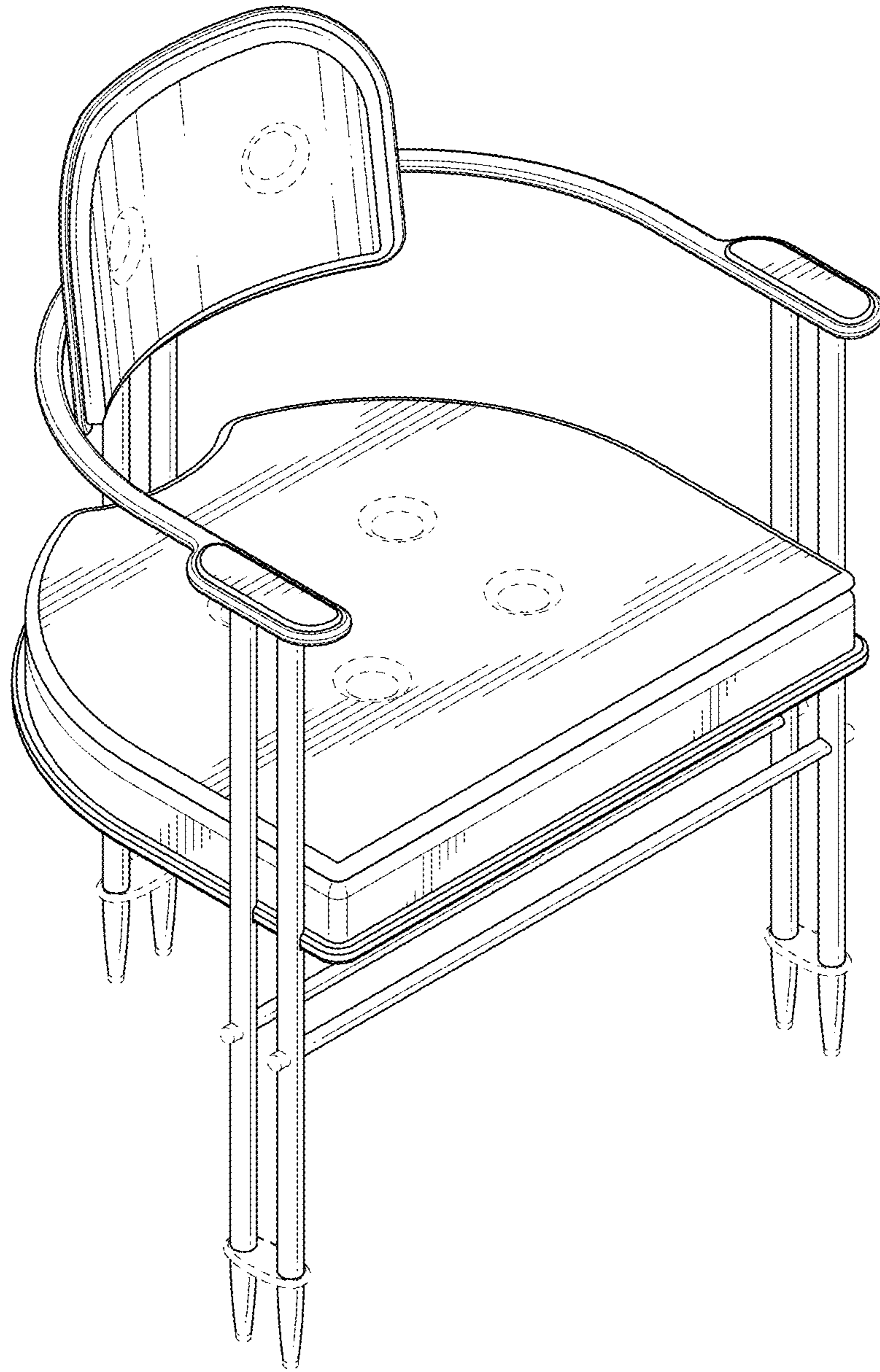


FIG. 1

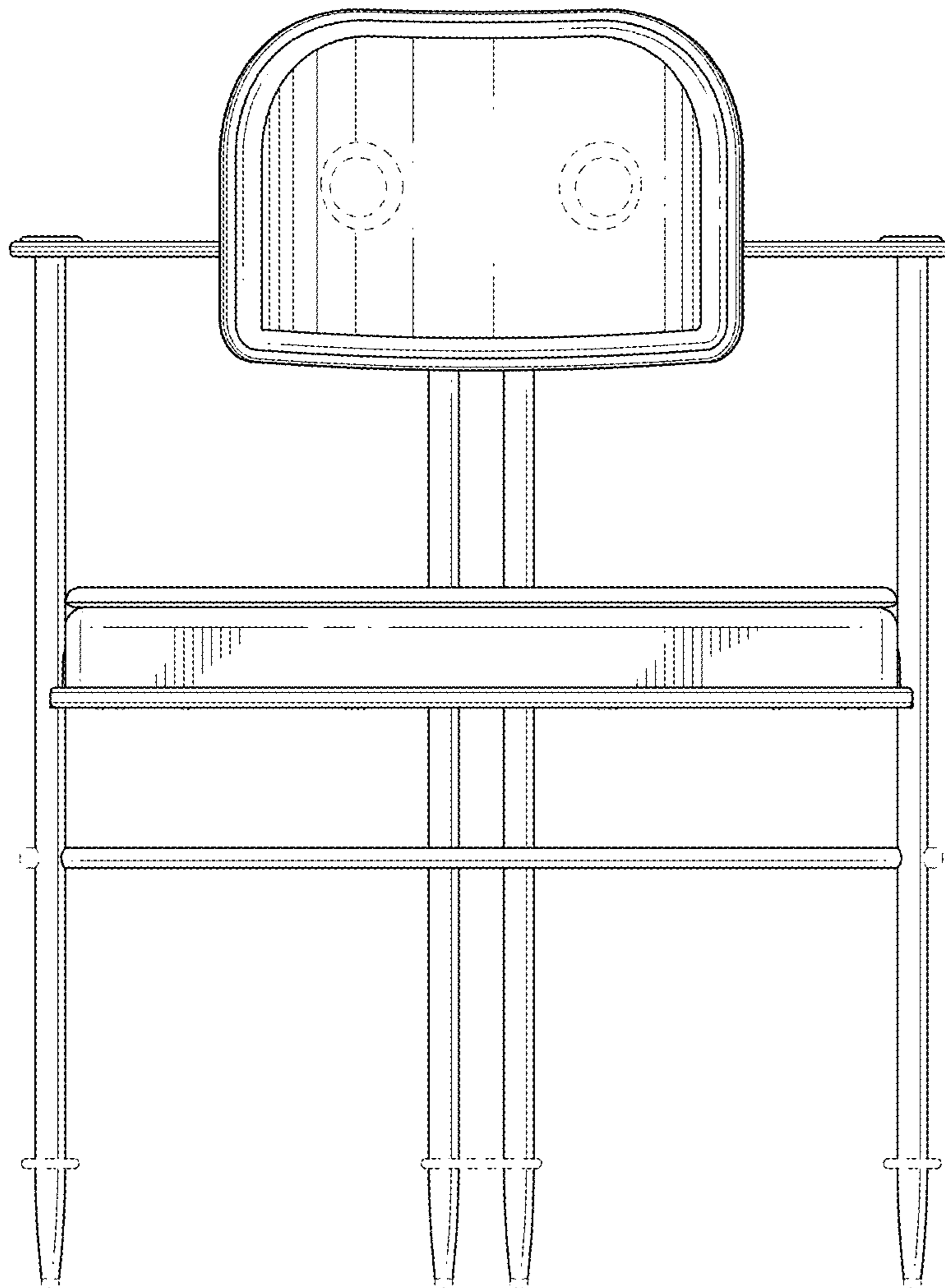


FIG. 2

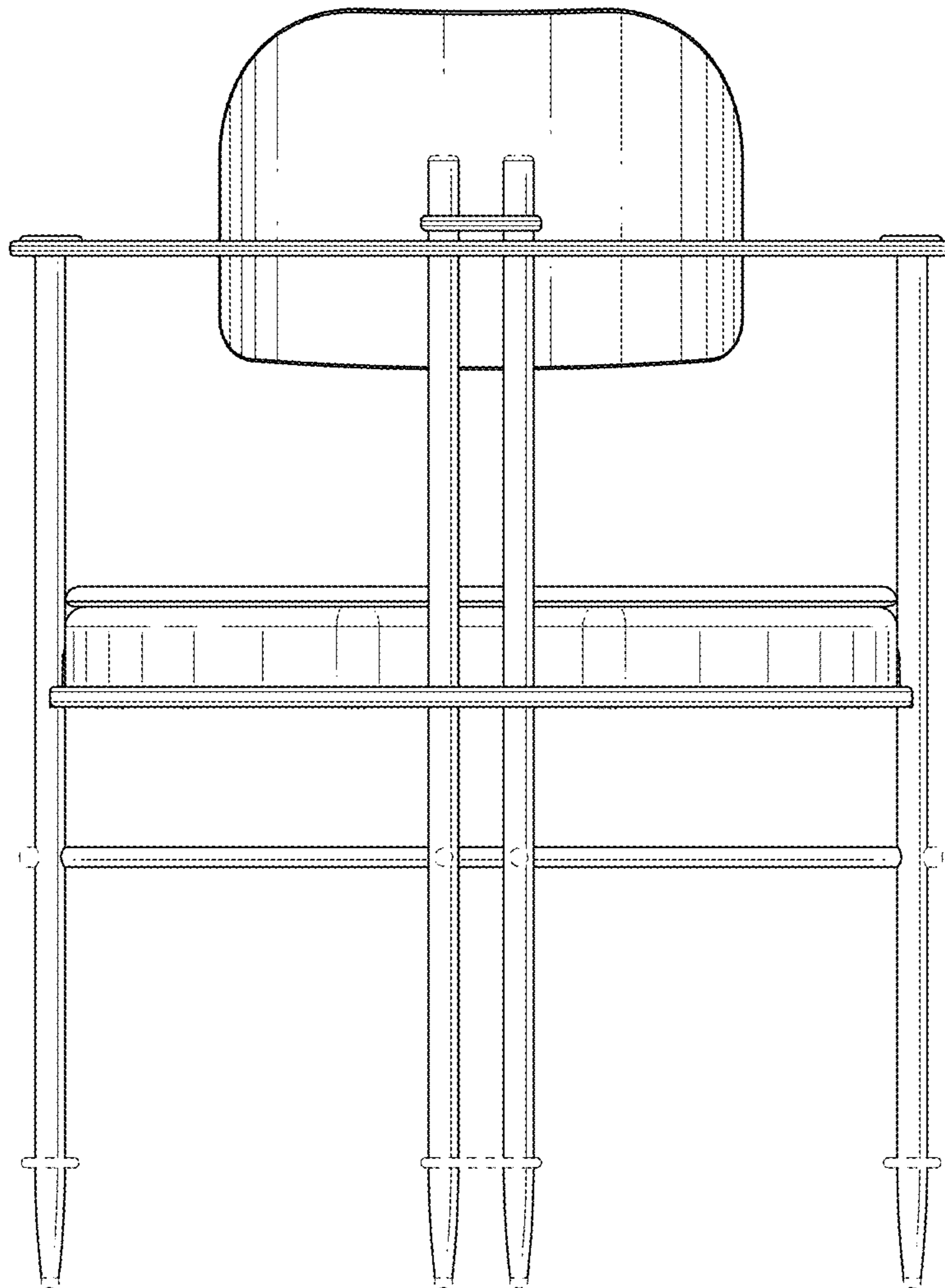


FIG. 3

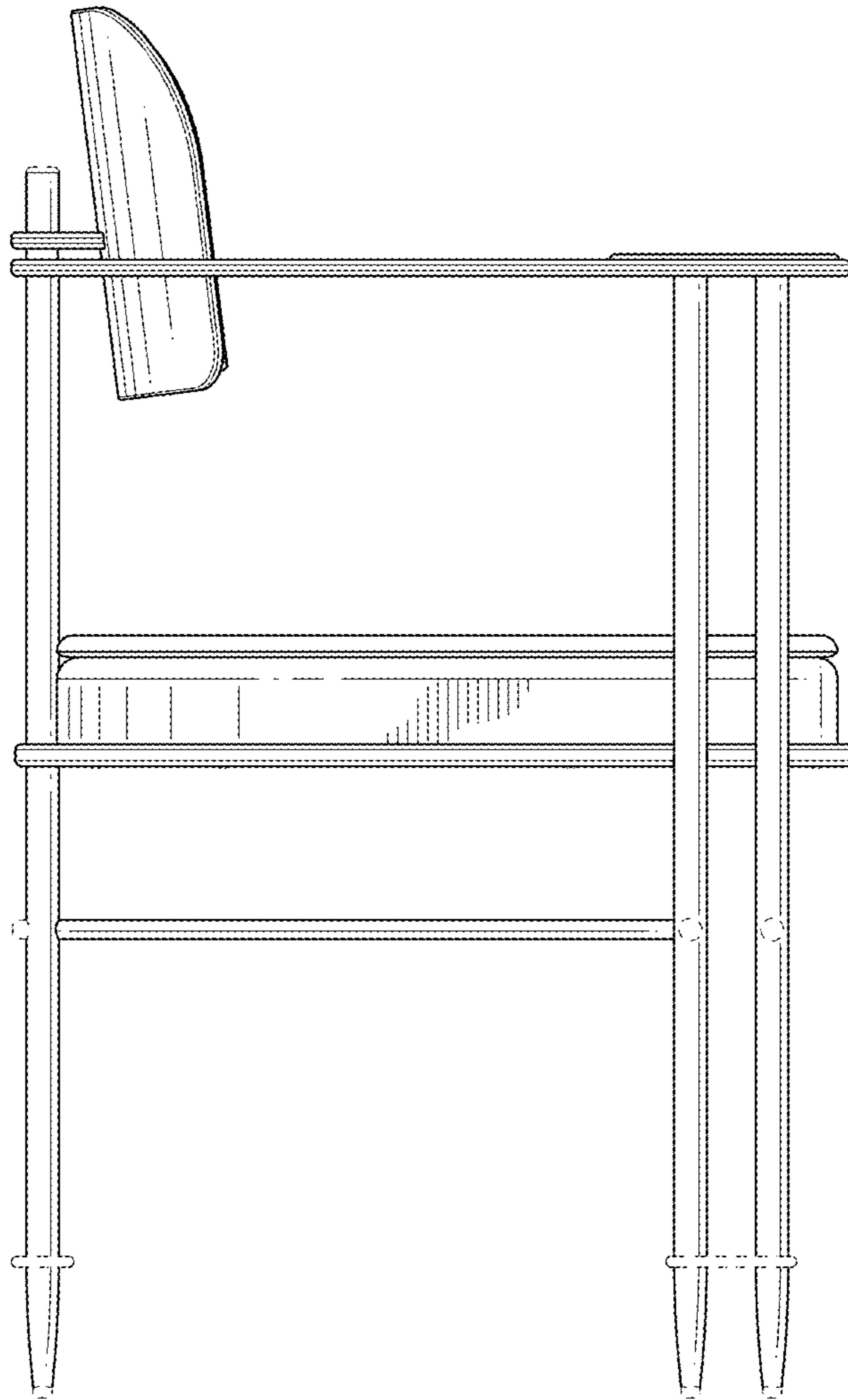


FIG. 4

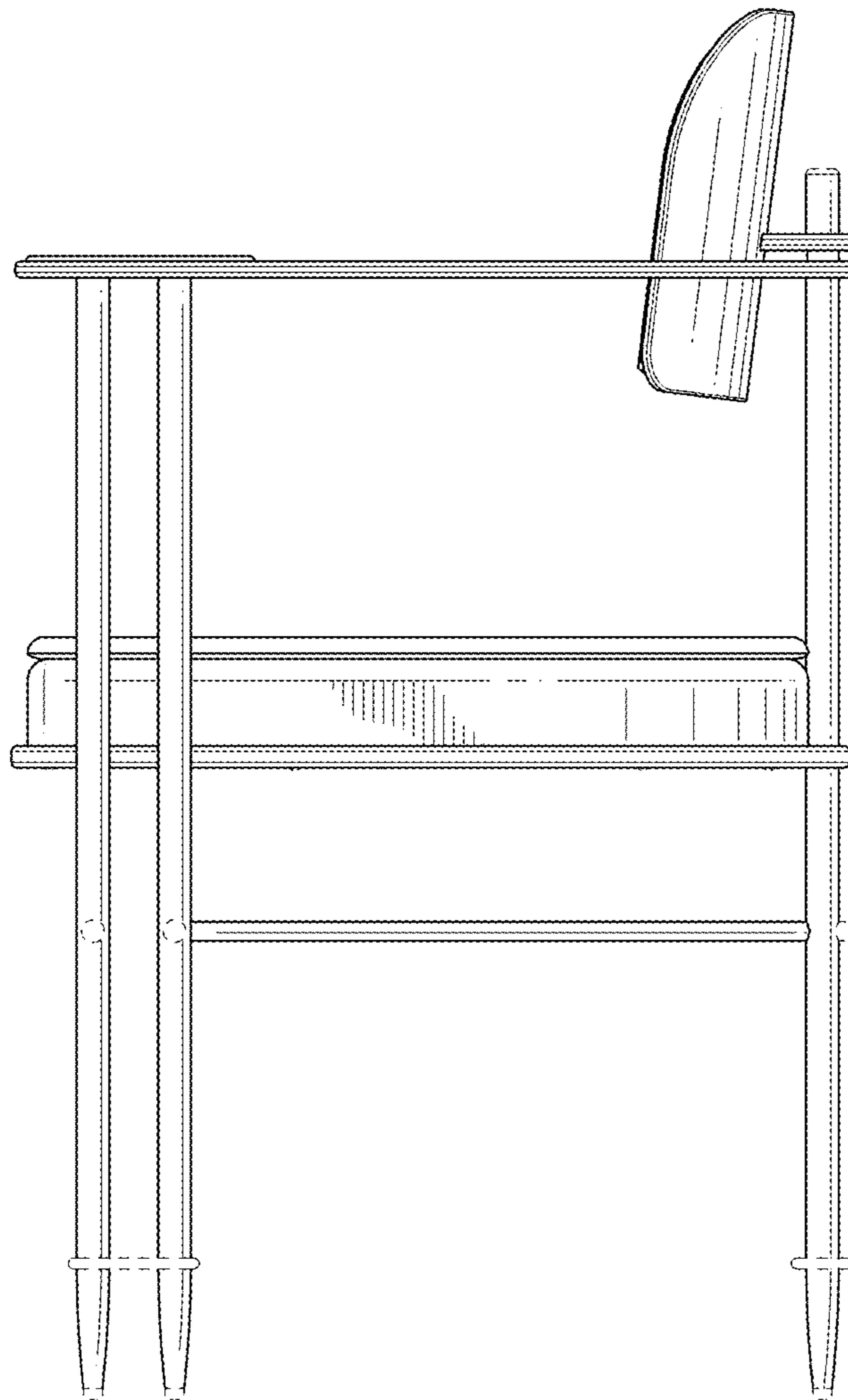


FIG. 5

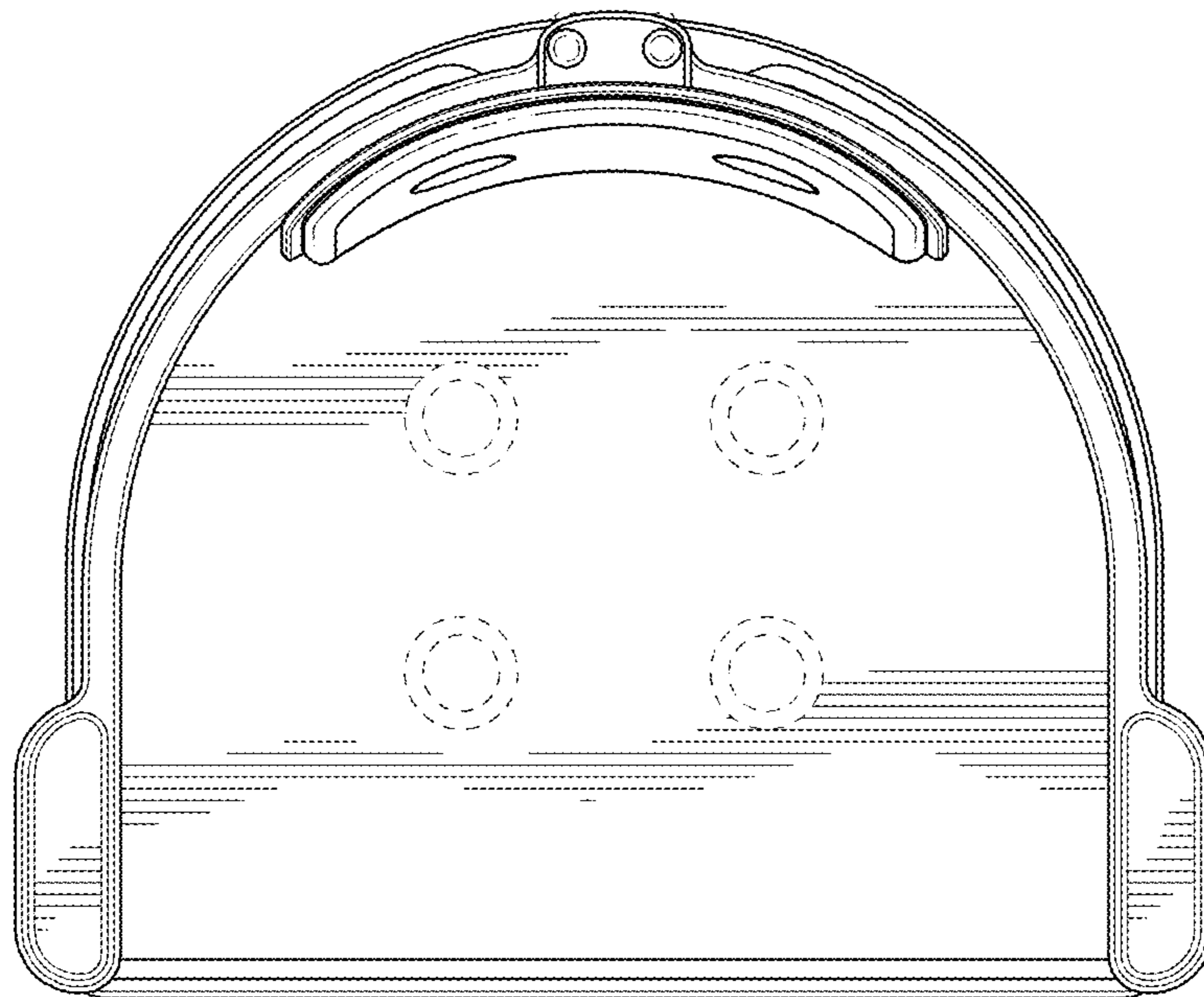


FIG. 6

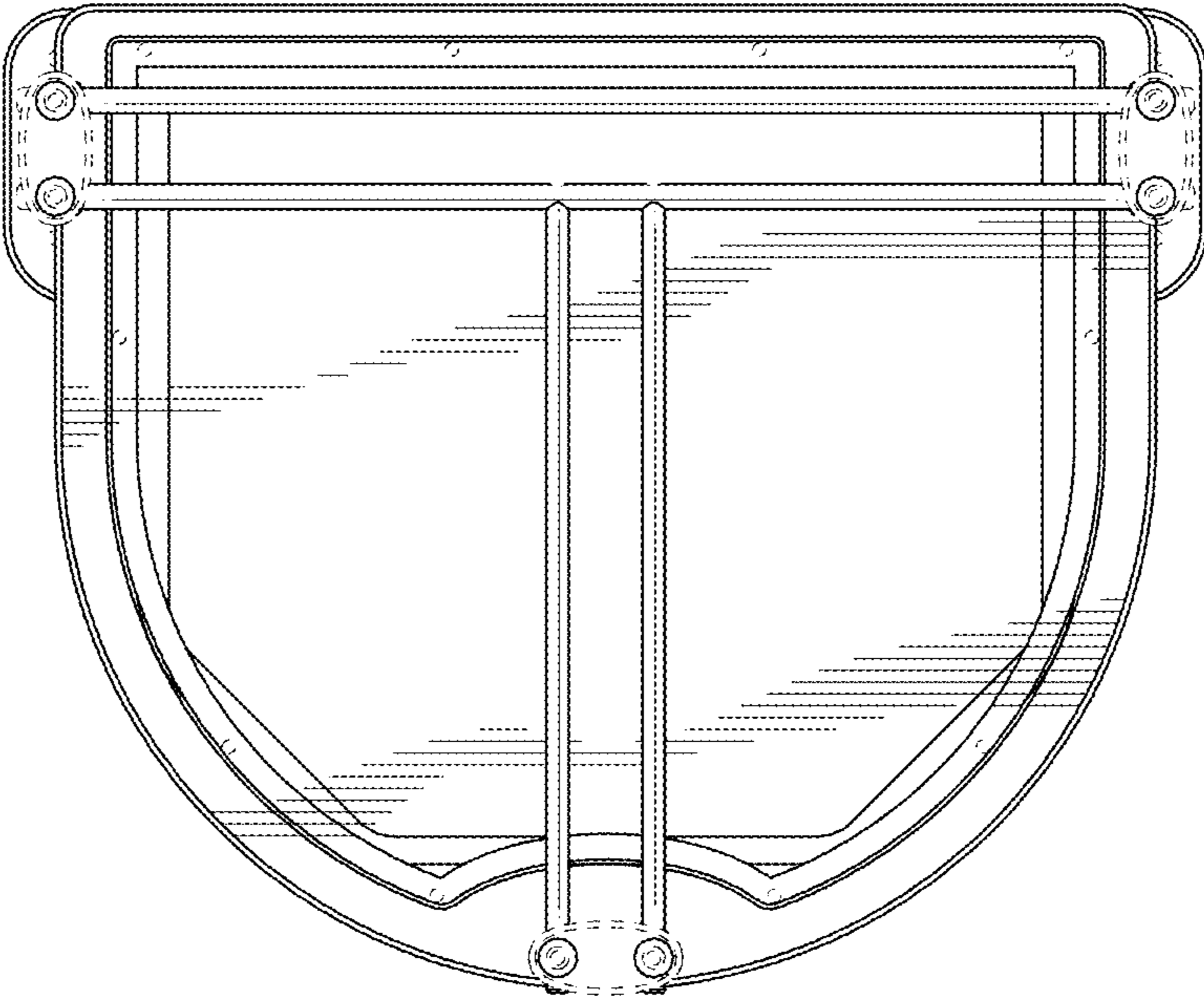


FIG. 7