



US00D955124S

(12) **United States Design Patent** (10) **Patent No.:** **US D955,124 S**  
**Xu** (45) **Date of Patent:** **\*\* Jun. 21, 2022**

(54) **STEPSTOOL**  
(71) Applicant: **SHENZHEN CONGLIDA TECHNOLOGY CO., LTD.**,  
Guangdong (CN)  
(72) Inventor: **Mingyao Xu**, Guangdong (CN)  
(73) Assignee: **SHENZHEN CONGLIDA TECHNOLOGY CO., LTD.**,  
Guangdong (CN)

D443,072 S \* 5/2001 Schultz ..... D25/65  
D449,386 S \* 10/2001 Cheri ..... D25/65  
D550,374 S \* 9/2007 Genova ..... E04H 4/144  
D25/63  
D597,684 S \* 8/2009 Genova ..... D25/63  
D606,768 S \* 12/2009 Tu ..... D6/350  
8,925,682 B2 \* 1/2015 Chitayat ..... A47C 12/00  
182/152  
D789,107 S \* 6/2017 Thibault ..... D6/350  
(Continued)

(\*\*) Term: **15 Years**  
(21) Appl. No.: **29/794,102**  
(22) Filed: **Jun. 10, 2021**  
(51) **LOC (13) Cl.** ..... **06-01**  
(52) **U.S. Cl.**  
USPC ..... **D6/350; D25/65**  
(58) **Field of Classification Search**  
USPC ..... D6/334, 335, 344, 348, 349–353,  
D6/364–365, 691–691.9, 716–716.1,  
D6/716.11; D25/65  
CPC ... A47C 12/00; A47C 13/00; A47C 16/02–04;  
A47K 17/02; A47K 17/028  
See application file for complete search history.

(56) **References Cited**

**U.S. PATENT DOCUMENTS**

D270,590 S 9/1983 Berlic  
D307,800 S \* 5/1990 Hradisky ..... D6/350  
D320,702 S \* 10/1991 Dewing ..... D6/349  
5,094,505 A \* 3/1992 Nichols ..... A47C 12/02  
297/118  
D330,462 S \* 10/1992 Szablak ..... D6/350  
D335,966 S \* 6/1993 Schwartzkopf ..... D6/350  
D351,476 S \* 10/1994 Grosfillex ..... D6/350  
D354,210 S \* 1/1995 Dickinson ..... D6/350  
D414,566 S \* 9/1999 Gibson ..... D25/65  
D425,320 S 5/2000 Lindsay  
D429,038 S \* 8/2000 Forester ..... D30/119

**OTHER PUBLICATIONS**

Victostar 2 Step Stool for Kids . . . [online] First available on Amazon Sep. 17, 2021. Retrieved from URL: <https://www.amazon.com/Victostar-Anti-Slip-Training-Bathroom-Green-White/dp/B09GJSY9RS?th=1> (Year: 2021).\*

(Continued)

*Primary Examiner* — Vy N Koenig  
(74) *Attorney, Agent, or Firm* — ScienBiziP, P.C.

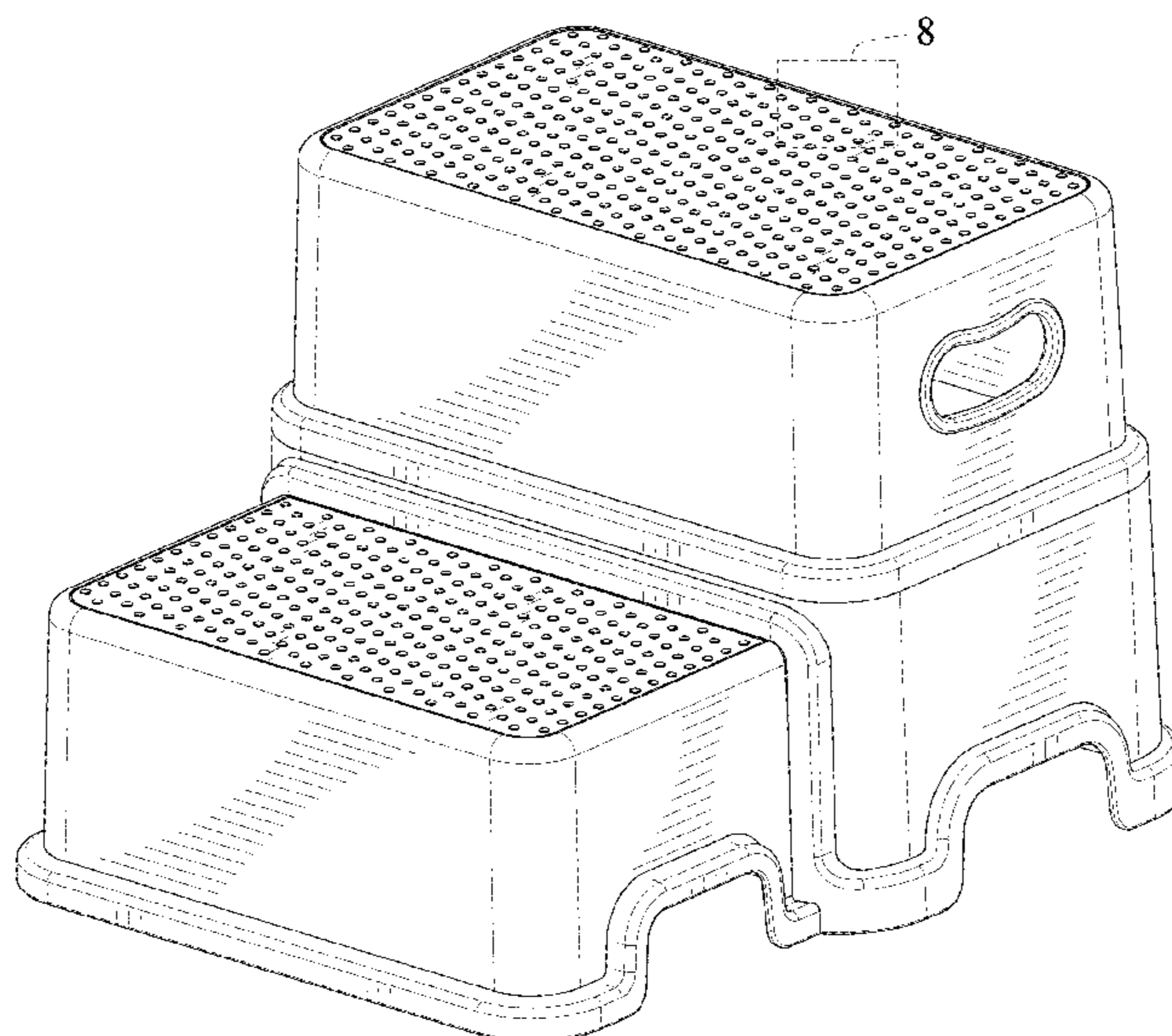
(57) **CLAIM**

The ornamental design for a stepstool, as shown and described.

**DESCRIPTION**

FIG. 1 is a front, right, and top perspective view of a stepstool, showing my design.  
FIG. 2 is a front elevation view thereof.  
FIG. 3 is a rear elevation view thereof.  
FIG. 4 is a left side elevation view thereof.  
FIG. 5 is a right side elevation view thereof.  
FIG. 6 is a top plan view thereof.  
FIG. 7 is a bottom plan view thereof; and,  
FIG. 8 is a partial enlarged view of an area labeled 8 in FIG. 1 comprising a part of a stool surface.  
The broken lines shown in the drawings are included for the purpose of illustrating portions of the stepstool that form no part of the claimed design.

**1 Claim, 8 Drawing Sheets**



(56)

**References Cited**

U.S. PATENT DOCUMENTS

D865,386 S \* 11/2019 Sphikas ..... D6/350  
D923,950 S \* 7/2021 Marsden ..... D6/349  
D924,577 S \* 7/2021 Marsden ..... D6/349  
D925,934 S \* 7/2021 Marsden ..... D6/349  
D934,583 S \* 11/2021 Marsden ..... D6/350  
D946,941 S \* 3/2022 Greenwood ..... D6/675.3

OTHER PUBLICATIONS

Glamore 2 Step Stool for Kids. [online] Retrieved Apr. 20, 2022  
from URL: <https://www.amazon.com/Glamore-Toddler-Training-Bathroom-Resistant/dp/B08FM8SQ3Y> (Year: 2022).\*

BlueSnail Double up Step Stool. [online] Retrieved Apr. 20, 2022  
from URL: <https://www.amazon.com/dp/B091DGBQTM> (Year: 2022).\*

\* cited by examiner

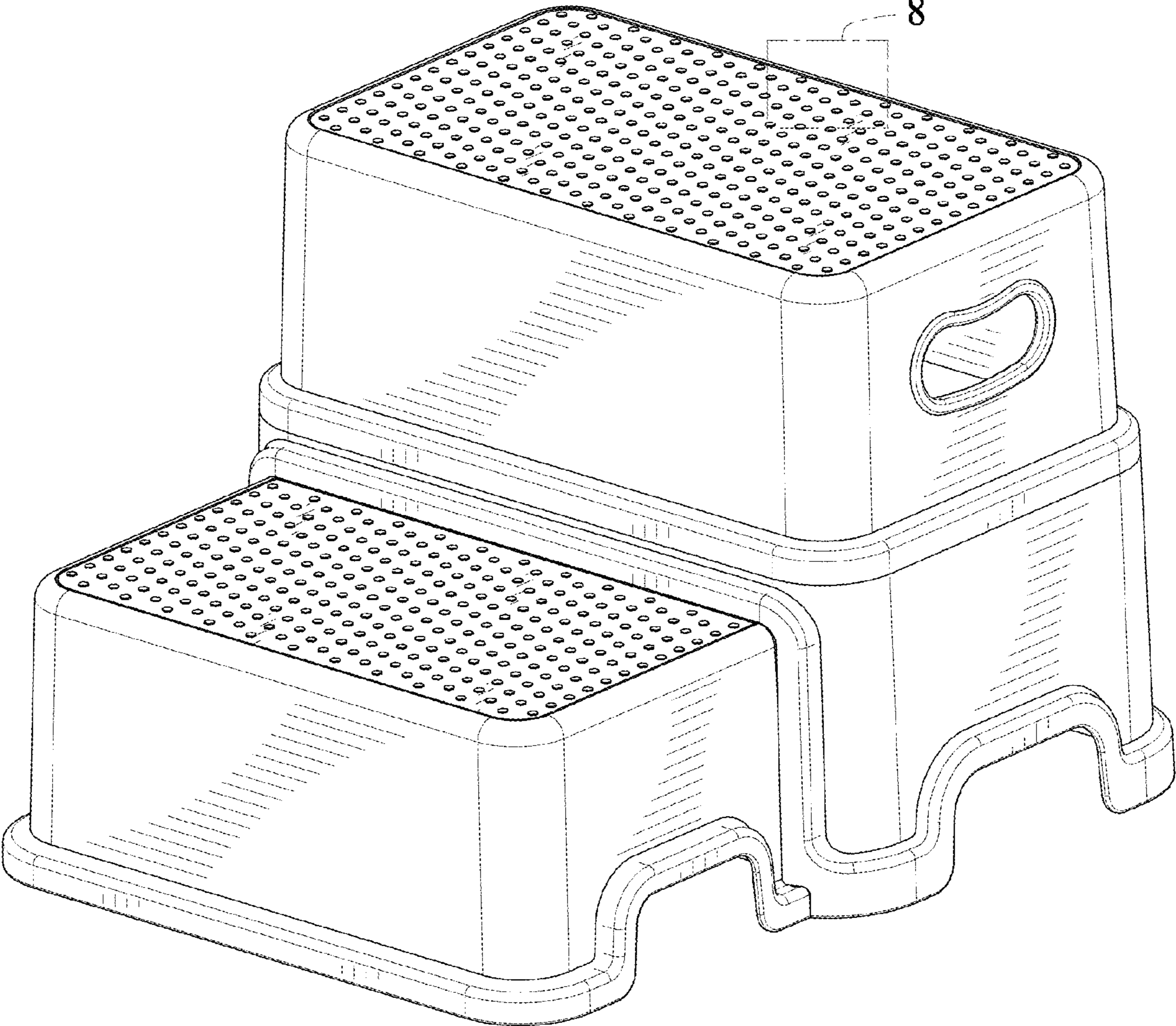


FIG. 1

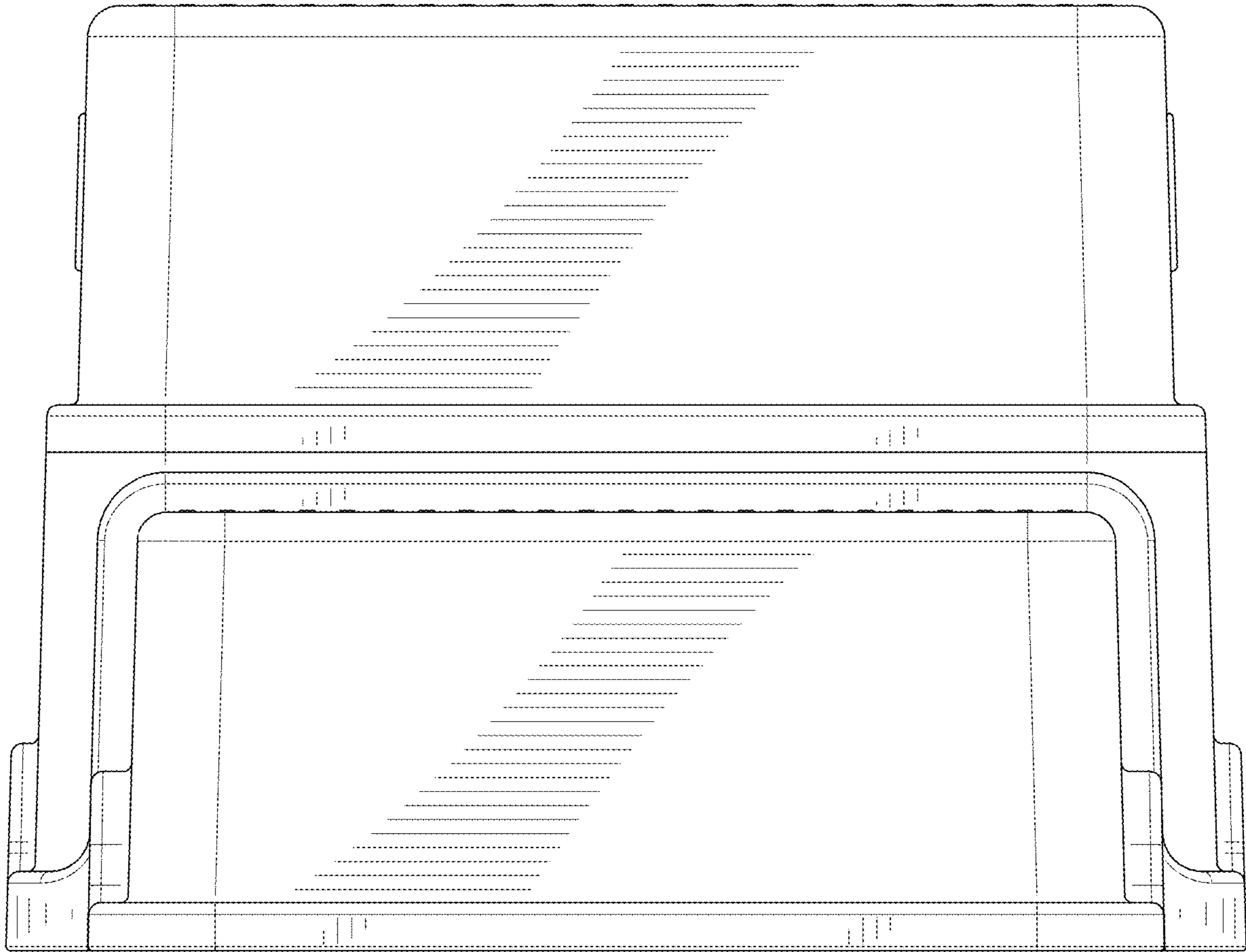


FIG. 2

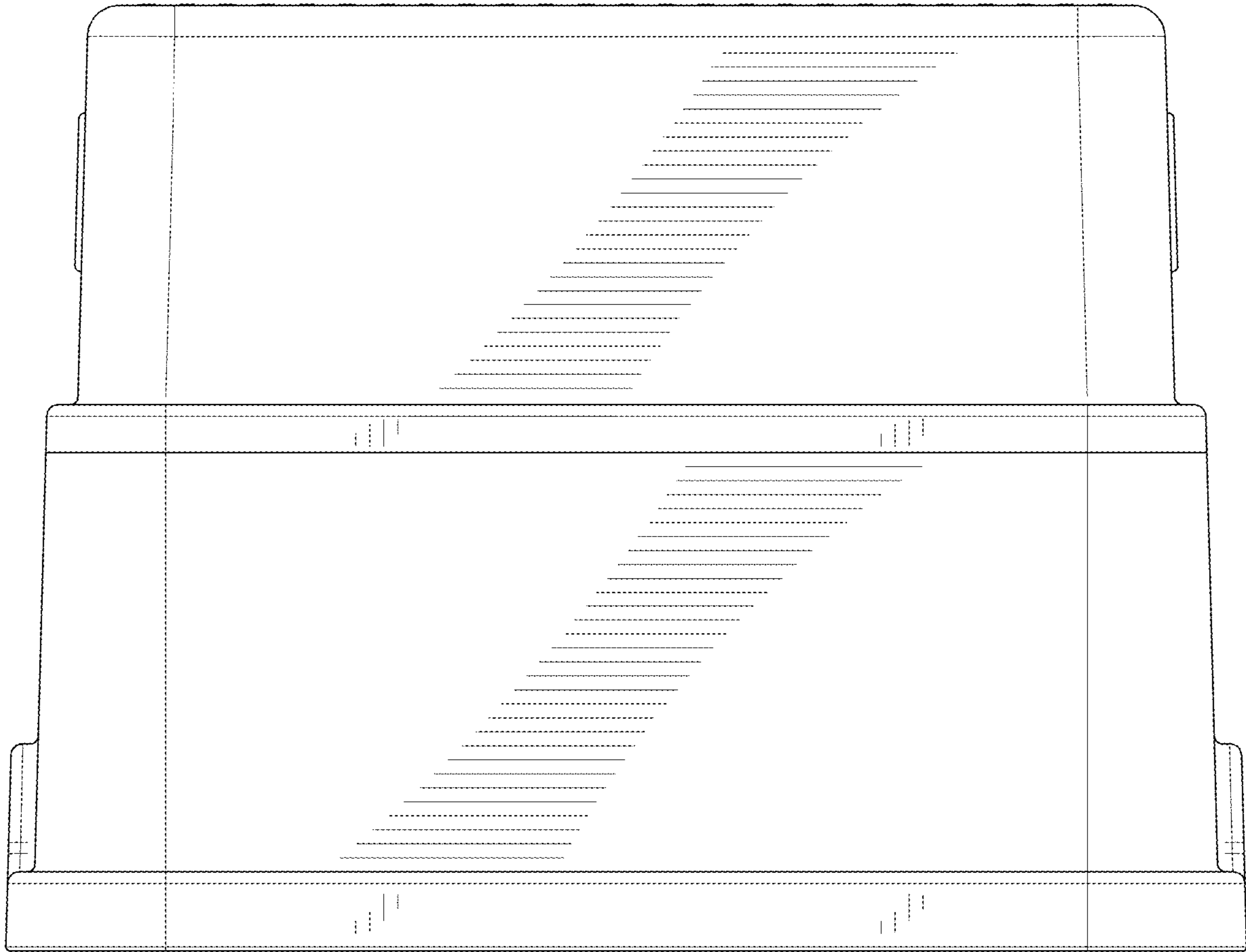


FIG. 3

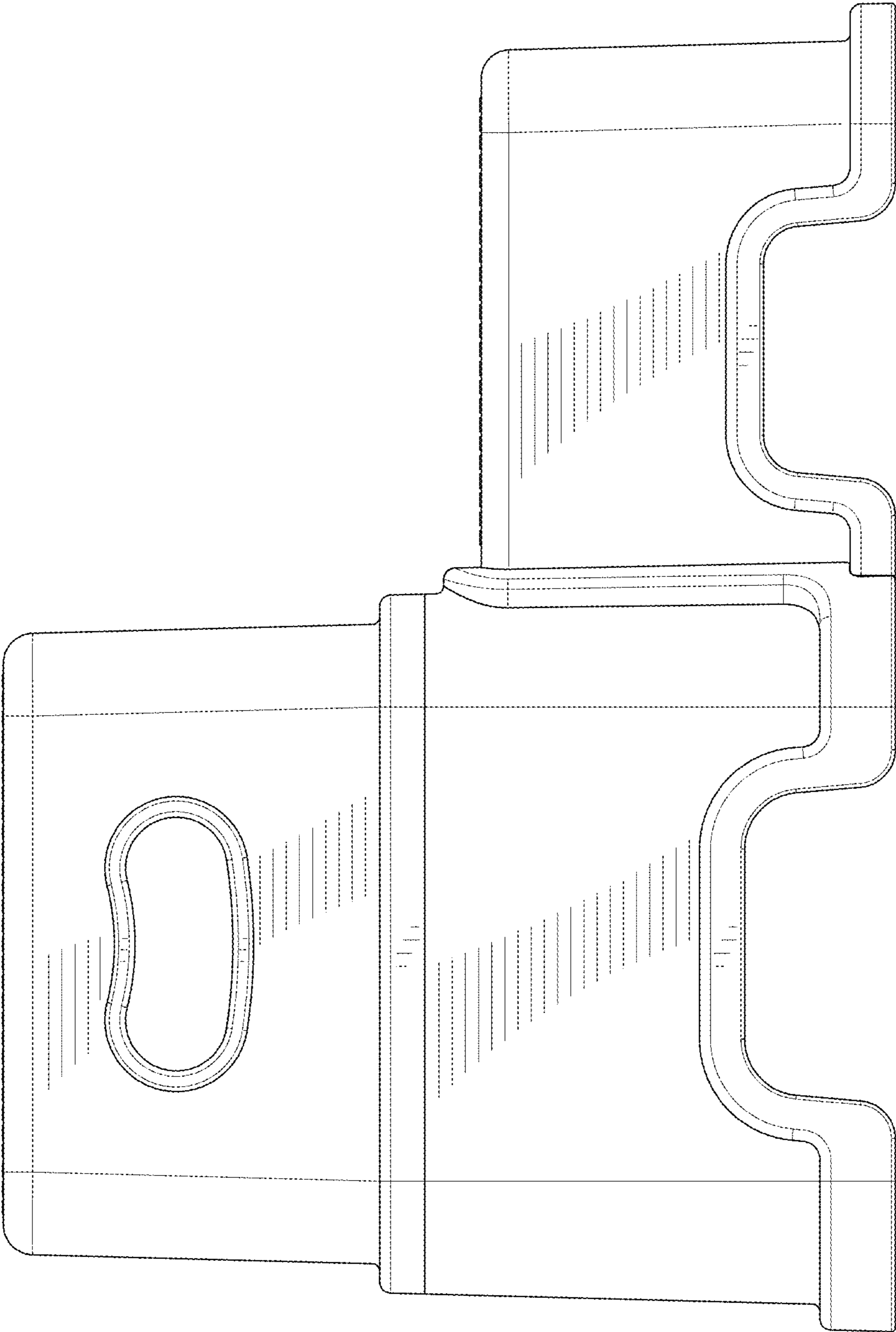


FIG. 4

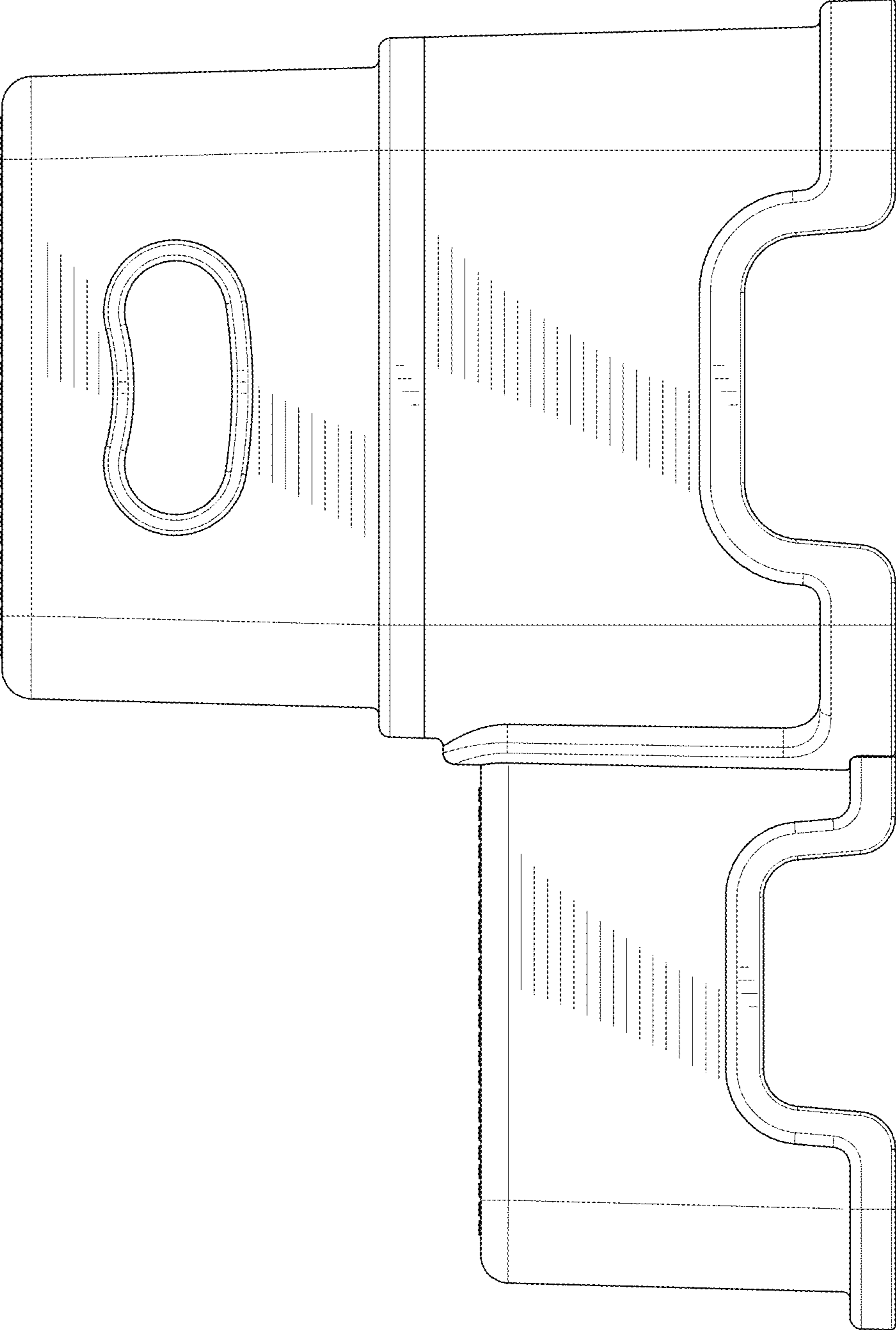


FIG. 5

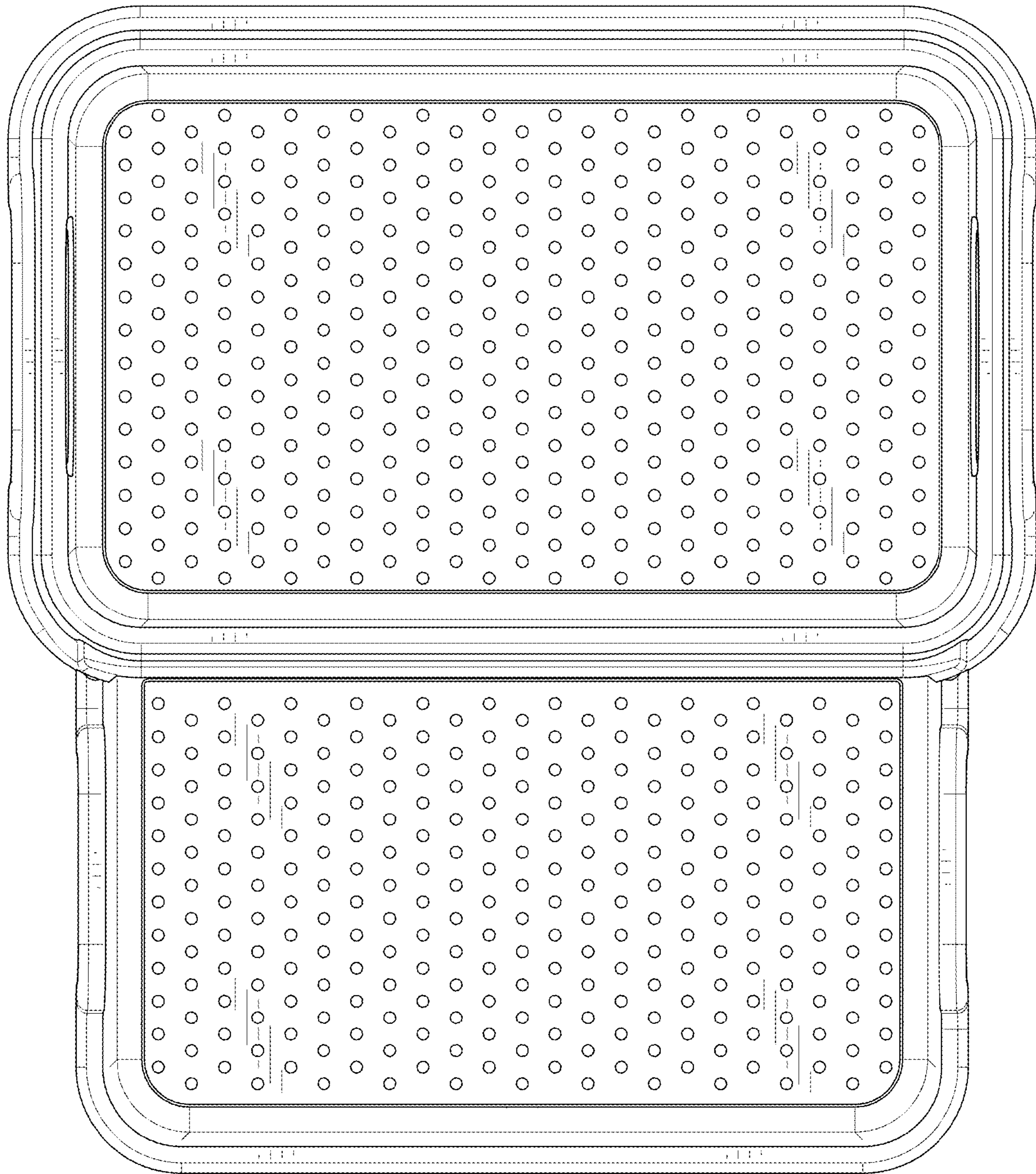


FIG. 6



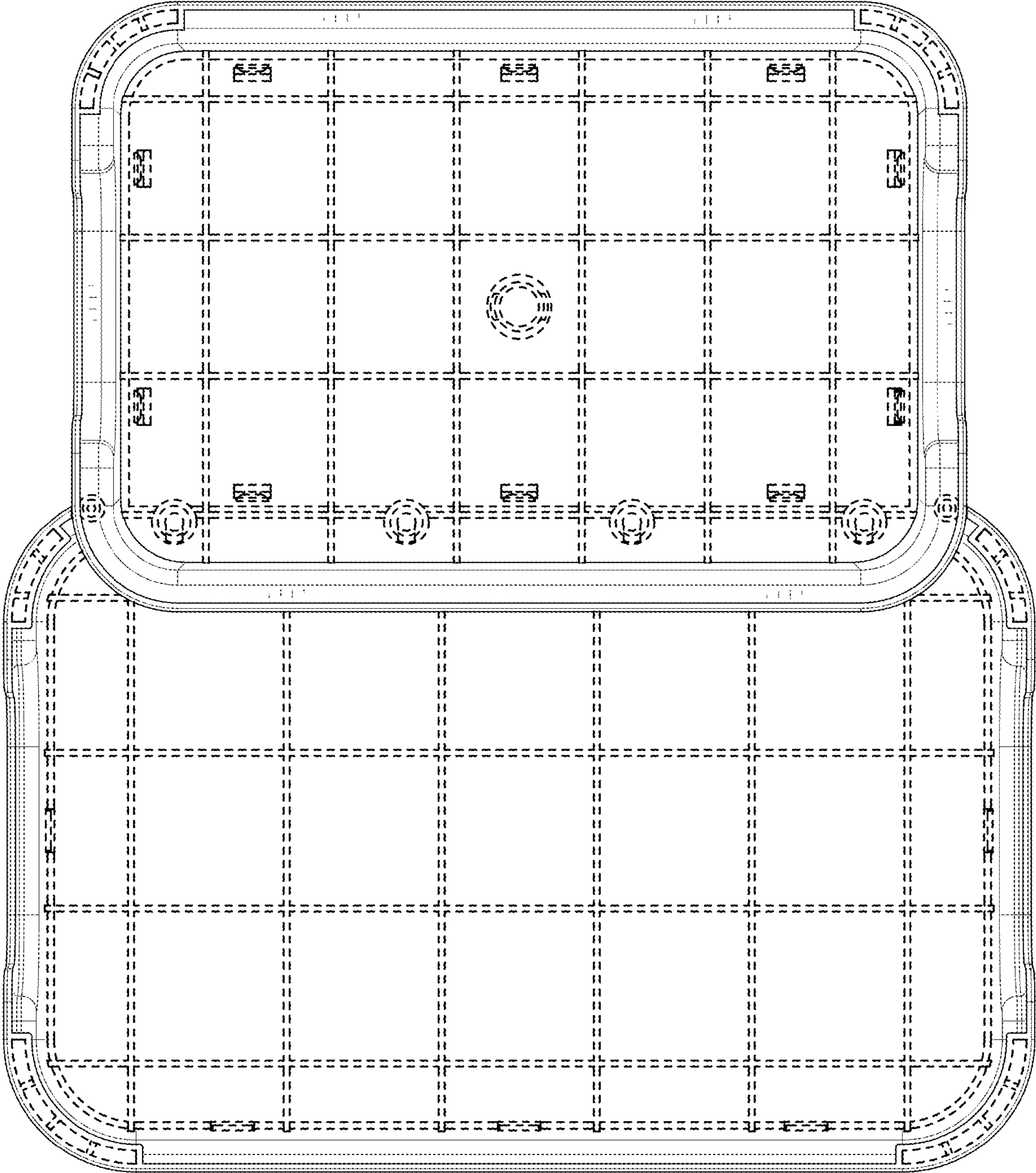


FIG. 7

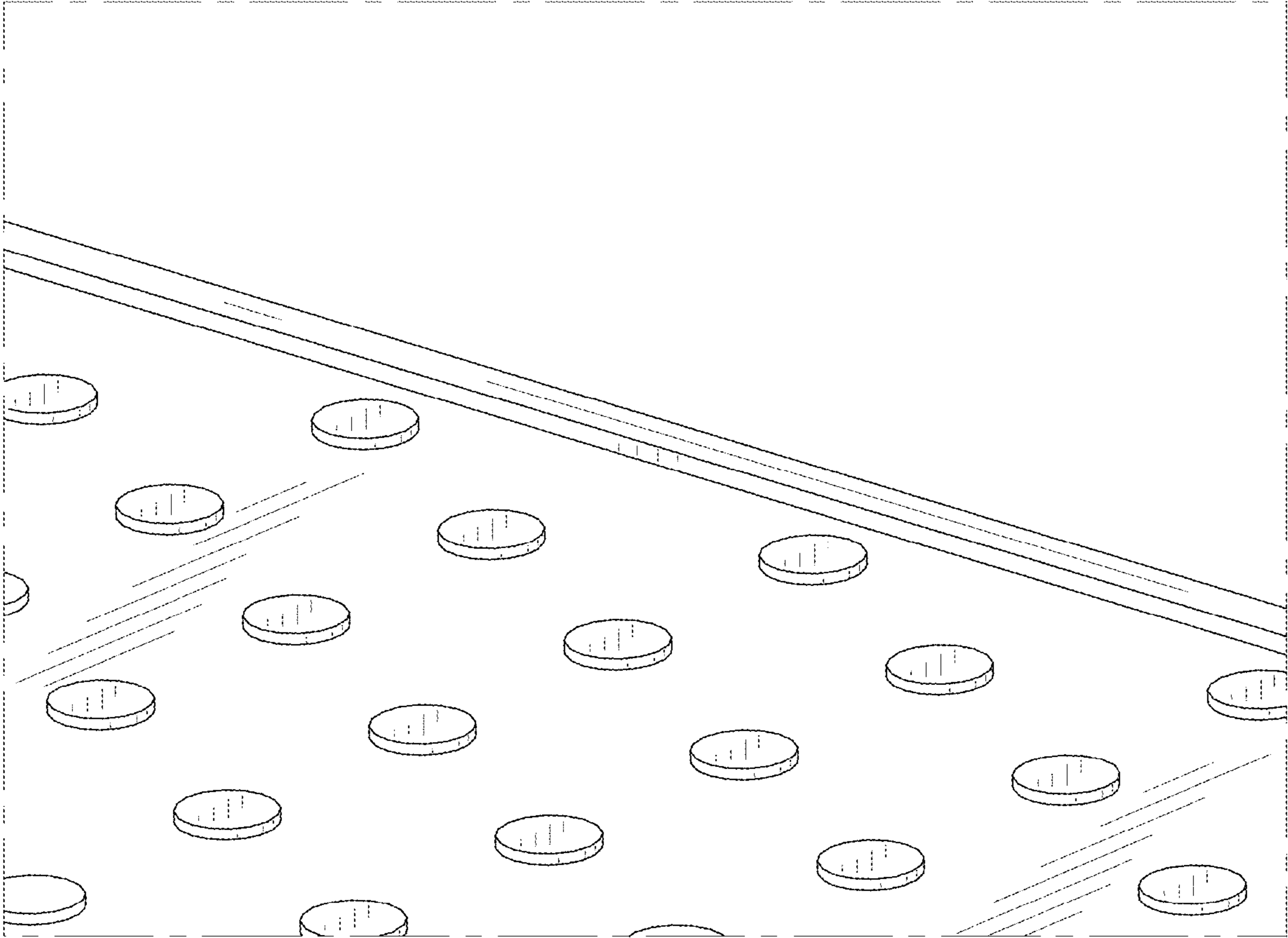


FIG. 8