



US00D955122S

(12) **United States Design Patent** (10) **Patent No.:** **US D955,122 S**  
**Kong** (45) **Date of Patent:** **\*\* Jun. 21, 2022**

(54) **CHAIR**

FOREIGN PATENT DOCUMENTS

(71) Applicant: **GoPlus Corp.**, Fontana, CA (US)

AU 9464741 A \* 10/1995 ..... A47C 11/005  
EM 007783683-0002 \* 4/2020  
WO 2006/099718 A1 9/2006

(72) Inventor: **Xujuan Kong**, Ningbo (CN)

(73) Assignee: **GOPLUS CORP.**, Fontana, CA (US)

OTHER PUBLICATIONS

(\*\*) Term: **15 Years**

Goplus Double Camping Seat w/Shade Canopy [online], [site visited Mar. 16, 2022], Available from internet, URL: <https://www.amazon.com/Goplus-Camping-Beverage-Carrying-Portable/dp/B08KHH5RHR?th=1> (Year: 2020).\*

(21) Appl. No.: **29/713,823**

(Continued)

(22) Filed: **Nov. 19, 2019**

(51) **LOC (13) Cl.** ..... **06-01**

*Primary Examiner* — Cynthia Ramirez

(52) **U.S. Cl.**

*Assistant Examiner* — Xavier Marti-Santos

USPC ..... **D6/336**; D6/368

(74) *Attorney, Agent, or Firm* — Troutman Pepper

(58) **Field of Classification Search**

Hamilton Sanders LLP

USPC ..... D6/334-336, 368, 373, 374, 375, 376,  
D6/379, 380

CPC ..... A47C 4/286; A47C 7/622; A47C 7/66;  
A47C 11/005; B65D 81/3813

See application file for complete search history.

(57) **CLAIM**

I claim the ornamental design for a chair, as shown and described.

**DESCRIPTION**

(56) **References Cited**

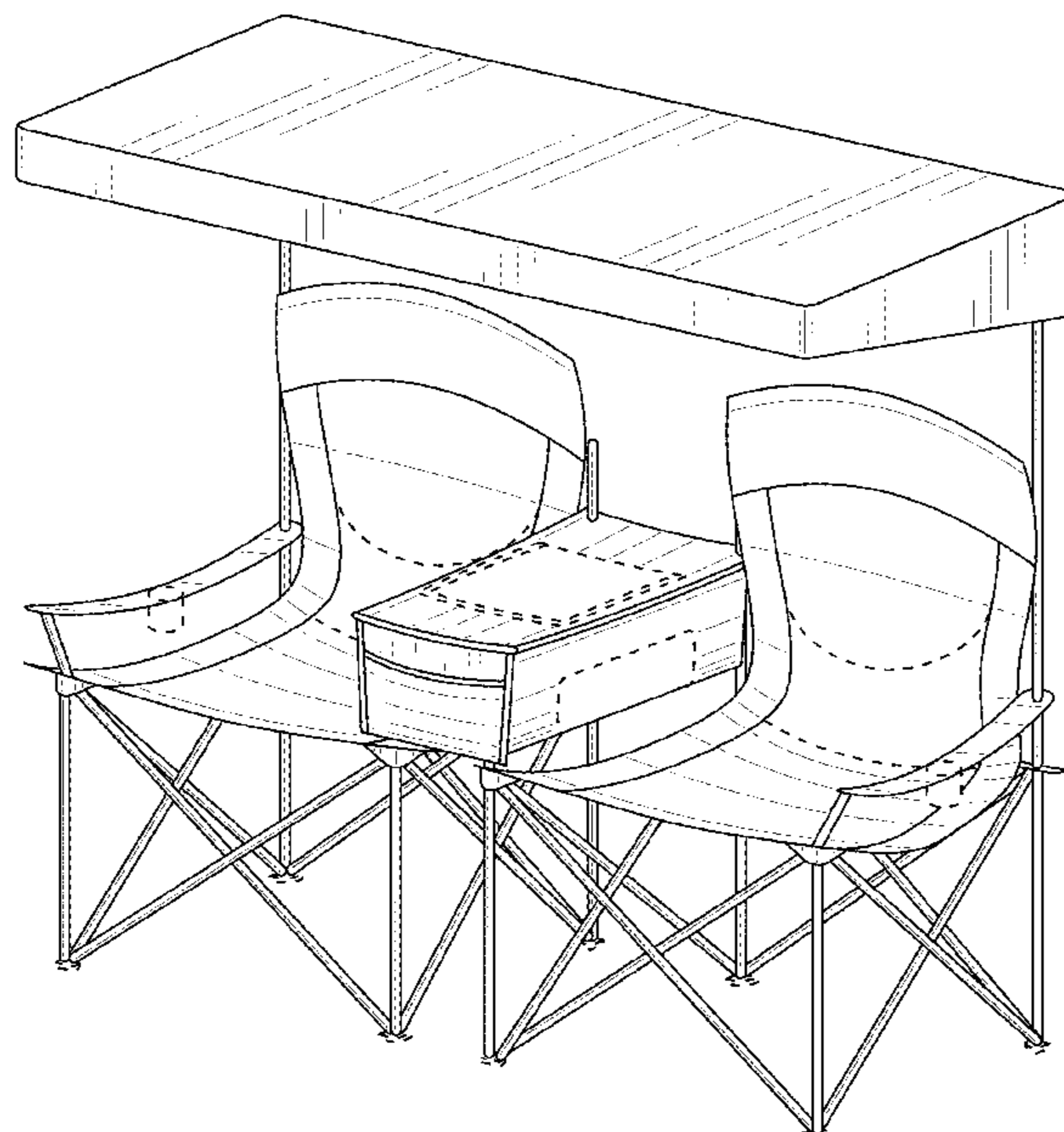
U.S. PATENT DOCUMENTS

D265,952	S *	8/1982	Theodore	.....	D6/370
6,193,308	B1	2/2001	Hwang		
D486,310	S *	2/2004	Goldy	.....	D6/335
7,243,990	B1	7/2007	Wahl		
7,347,217	B2	3/2008	Bree et al.		
D575,962	S *	9/2008	Senko	.....	D6/381
7,648,196	B2	1/2010	Degelman et al.		
D612,624	S *	3/2010	Lovley	.....	D6/368
D648,148	S *	11/2011	Henry	.....	D6/368
9,775,438	B1 *	10/2017	Schulenberg	.....	A47C 7/748
10,631,651	B1 *	4/2020	Hsu Besner	.....	A47C 1/143
D902,617	S *	11/2020	Sullivan	.....	D6/368
D935,211	S *	11/2021	Chen	.....	D6/368
11,234,524	B1 *	2/2022	Tsai	.....	A47C 4/283

(Continued)

FIG. 1 is an upper perspective view of a chair;  
FIG. 2 is a front plan view of the design shown in FIG. 1;  
FIG. 3 is a back plan view of the design shown in FIG. 1;  
FIG. 4 is a right side plan view of the design shown in FIG. 1;  
FIG. 5 is a left side plan view of the design shown in FIG. 1;  
FIG. 6 is a top plan view of the design shown in FIG. 1; and,  
FIG. 7 is a bottom plan view of the design shown in FIG. 1.  
The broken lines in the figures are for the purpose of illustrating portions of the chair, which form no part of the claimed design. The shade lines shown represent surface shading and not surface ornamentation, color, or material type.

**1 Claim, 7 Drawing Sheets**



(56)

**References Cited**

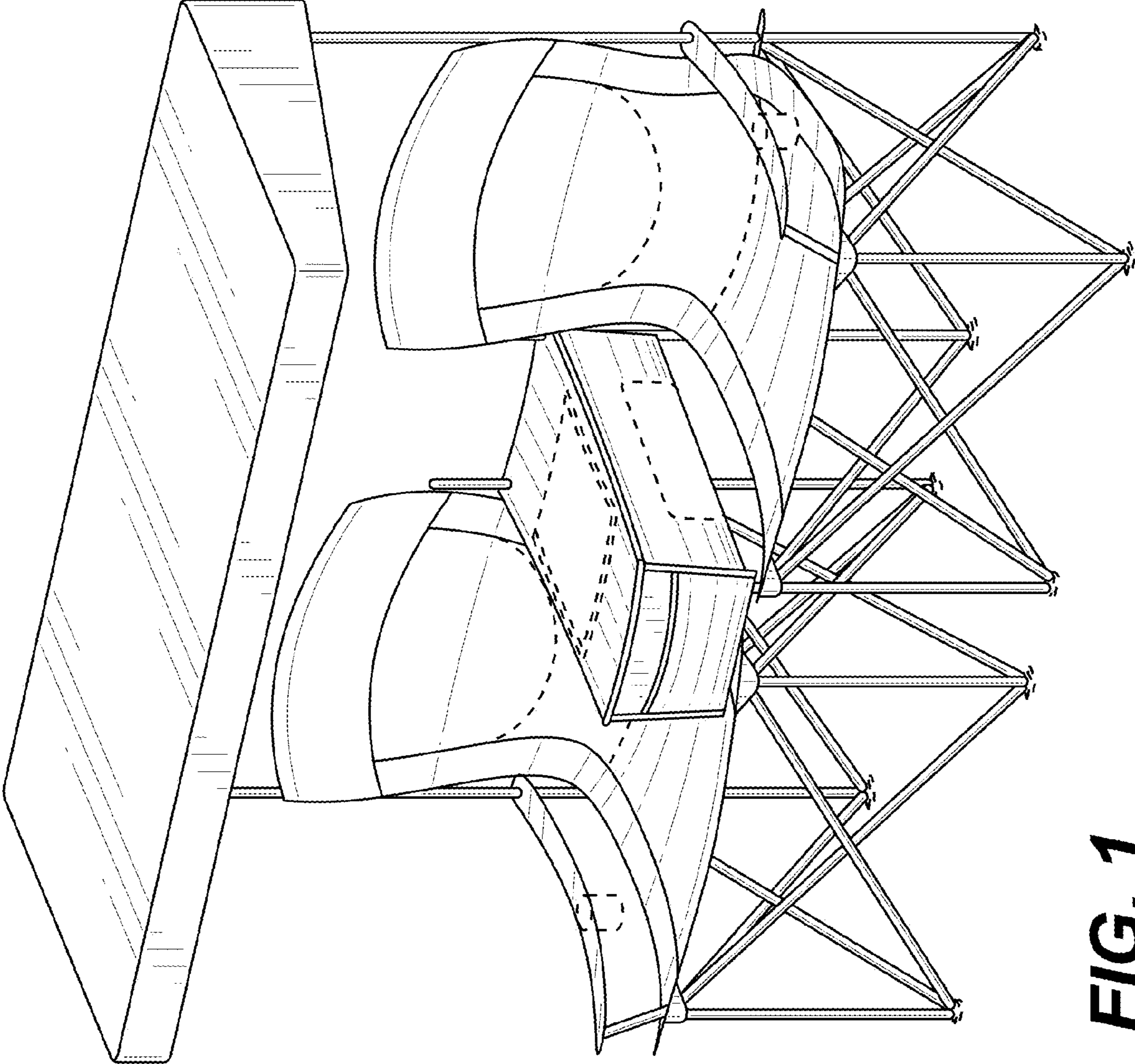
U.S. PATENT DOCUMENTS

2005/0067864 A1 3/2005 Anglin  
2007/0236058 A1 10/2007 Yeider  
2010/0102600 A1 4/2010 Lovley  
2011/0156448 A1\* 6/2011 Fletcher ..... A47C 4/03  
297/183.1  
2021/0145179 A1\* 5/2021 Kong ..... A47C 11/005  
2021/0321781 A1\* 10/2021 Silinski ..... A47C 7/624

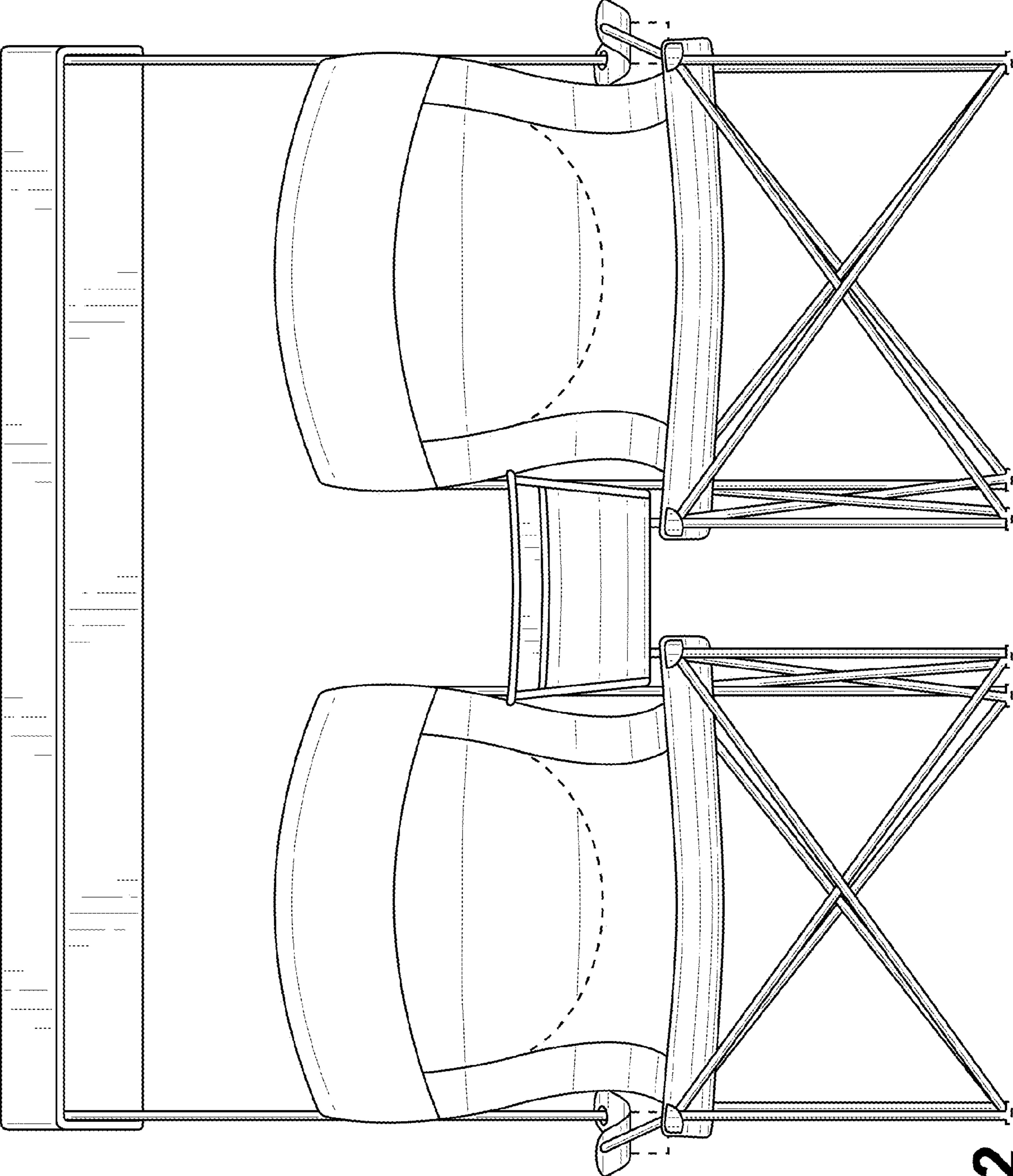
OTHER PUBLICATIONS

Extended European Search Report dated Dec. 15, 2021, from  
corresponding European application No. 21183217.5.

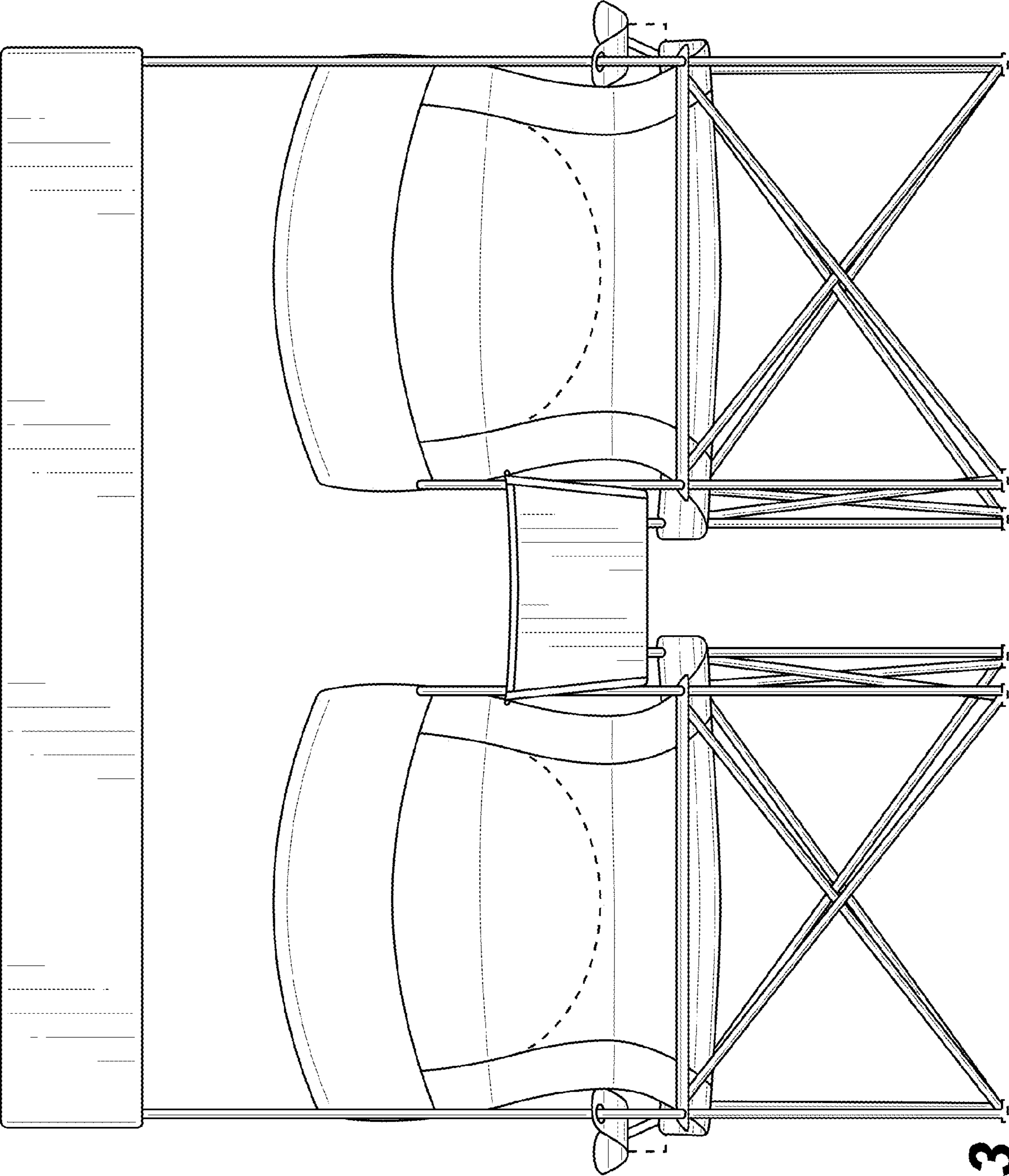
\* cited by examiner



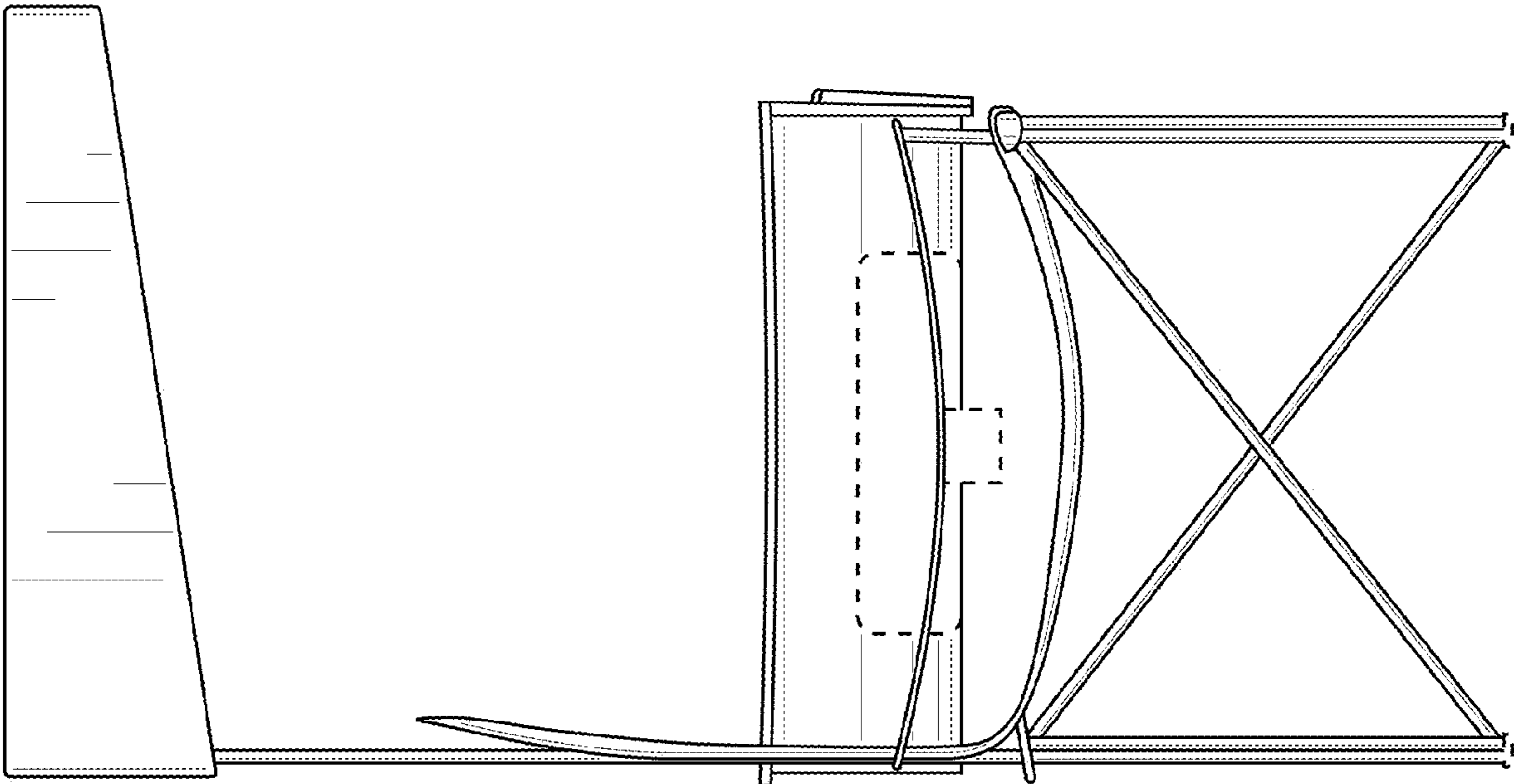
**FIG. 1**



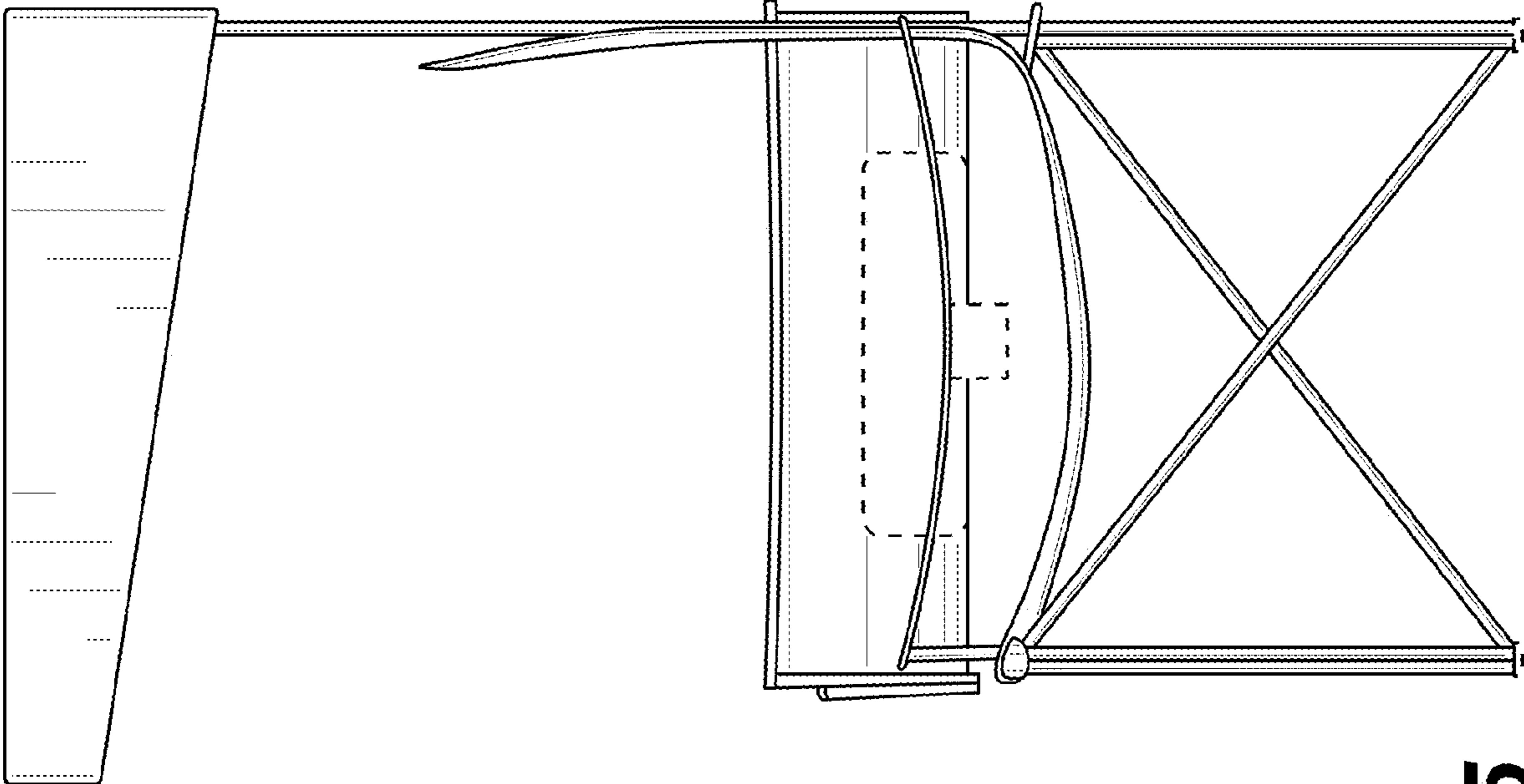
**FIG. 2**



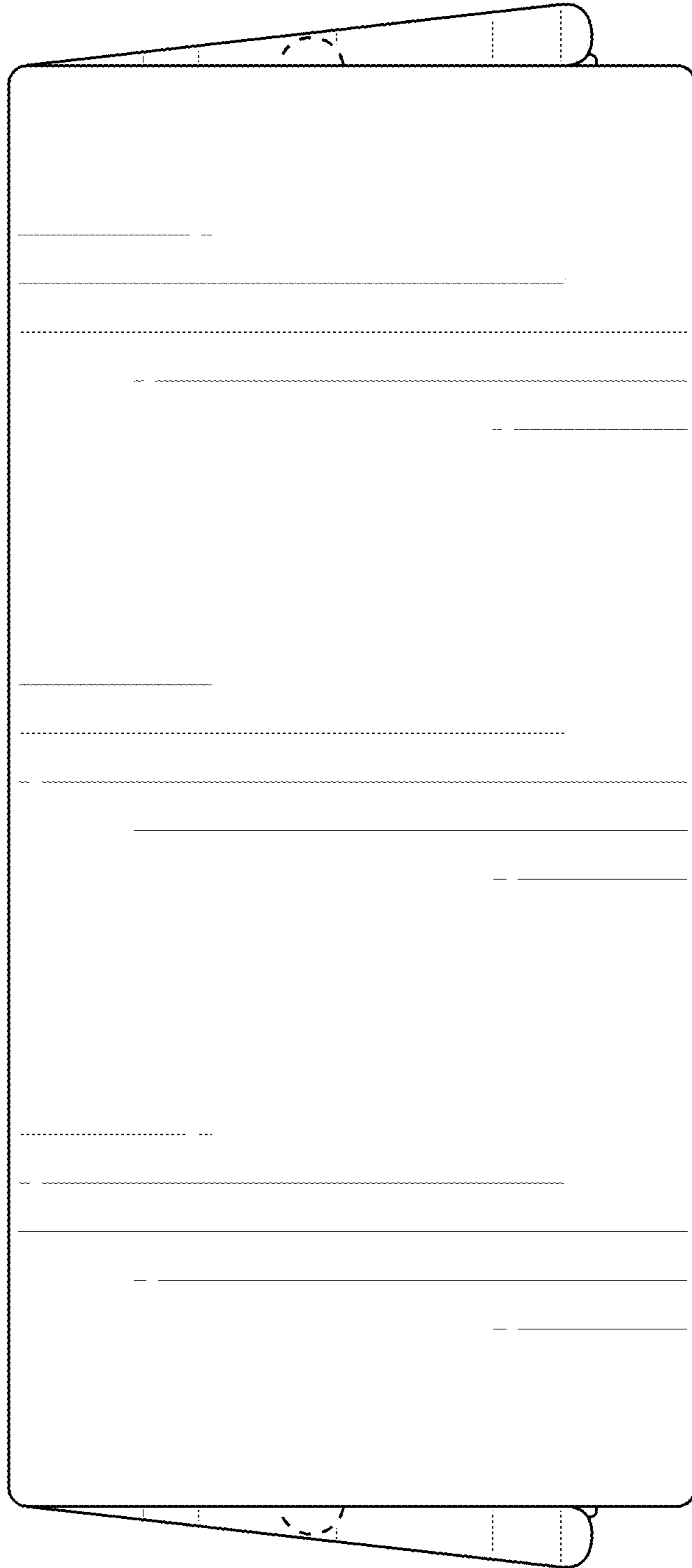
**FIG. 3**



**FIG. 4**

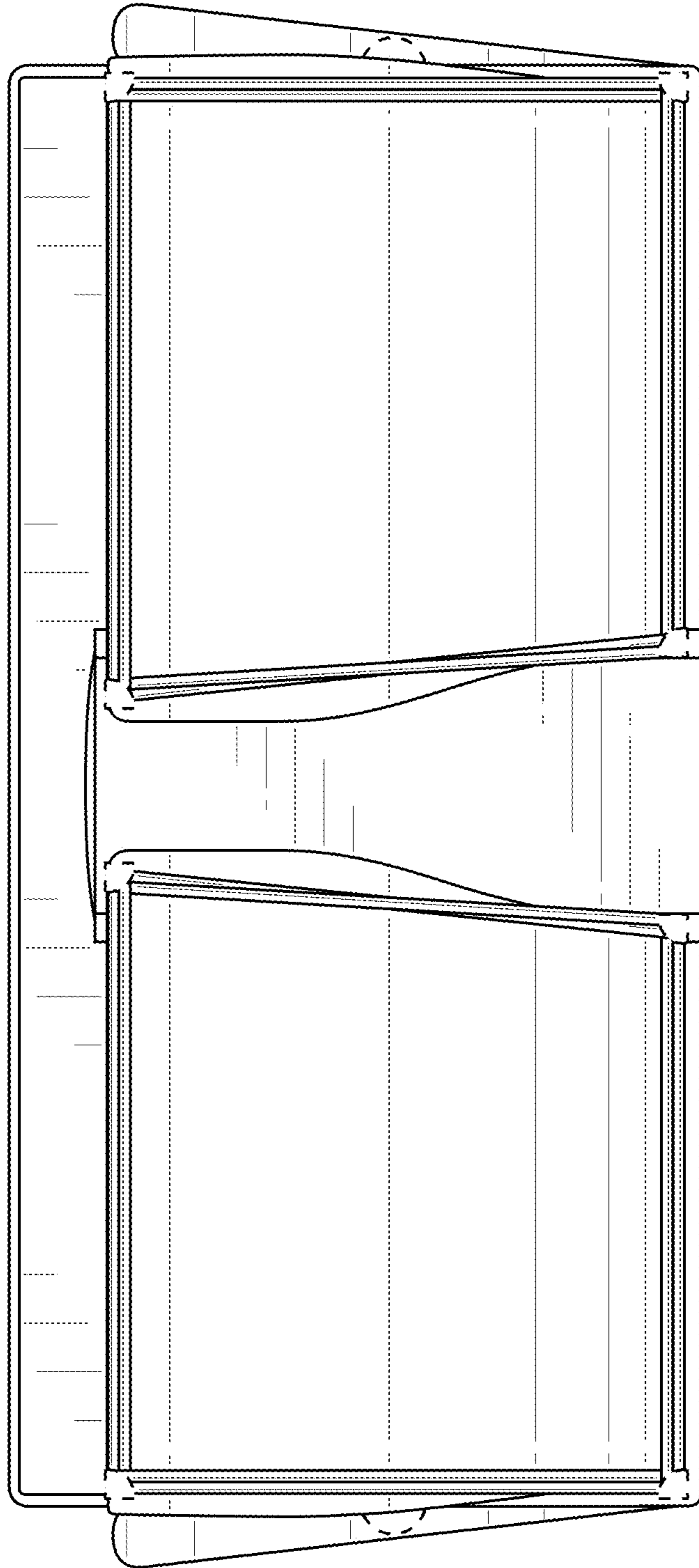


**FIG. 5**



**FIG. 6**





**FIG. 7**