



US00D955120S

(12) **United States Design Patent** (10) **Patent No.:** **US D955,120 S**
Popa (45) **Date of Patent:** **** Jun. 21, 2022**

(54) **CONVERTIBLE CHILDREN’S FURNITURE**

Primary Examiner — Mary Ann Calabrese

(71) Applicant: **Dan Popa**, Magurele (RO)

(72) Inventor: **Dan Popa**, Magurele (RO)

(**) Term: **15 Years**

(21) Appl. No.: **29/740,773**

(22) Filed: **Jul. 7, 2020**

Related U.S. Application Data

(63) Continuation-in-part of application No. 16/884,413, filed on May 27, 2020, now abandoned.

(51) **LOC (13) Cl.** **06-05**

(52) **U.S. Cl.**
USPC **D6/329; D21/818**

(58) **Field of Classification Search**
USPC D6/329, 334–336, 339, 350, 353, 367, D6/368, 376; D25/165; D21/811, 818
CPC A47B 39/00; A47B 39/02; A47B 85/00; A47B 85/04; A47C 9/00; A47C 12/00; A47C 12/02; A47C 13/00; A47D 1/00; A47D 1/002; A47D 1/008; A47D 11/00
See application file for complete search history.

(56) **References Cited**

U.S. PATENT DOCUMENTS

D83,716 S * 3/1931 Berman D21/818
2,541,664 A 2/1951 Hyman
2,667,207 A 1/1954 Andrew

(Continued)

FOREIGN PATENT DOCUMENTS

DE 202018001879 U1 4/2018
JP 2004313251 A 11/2004
KR 101574551 B1 12/2015

OTHER PUBLICATIONS

EUIPO Design No. 005815453-0001—Dan Popa Application date Nov. 2, 2018, Registration date Nov. 2, 2018 Publication date Nov. 13, 2018.*

(Continued)

(57) **CLAIM**

The ornamental design for convertible children’s furniture, as shown and described.

DESCRIPTION

FIG. 1 is a front-top-right perspective view of a convertible children’s furniture in a closed configuration, showing my new design;

FIG. 2 is a front-top-left perspective view thereof;

FIG. 3 is a front-bottom-right perspective view thereof;

FIG. 4 is a front-bottom-left perspective view thereof;

FIG. 5 is a rear-bottom-left perspective view thereof;

FIG. 6 is a front elevation view of the present design, showing the planes upon which a cross sectional views are taken shown in FIGS. 12 and 13.

FIG. 7 is a front elevational view thereof;

FIG. 8 is a rear elevational view thereof;

FIG. 8 is a top plan view thereof;

FIG. 9 is a bottom plan view thereof;

FIG. 10 is a left elevational view thereof;

FIG. 11 is a right elevational view thereof;

FIG. 12 is a transversal cross-sectional view taken along line 12-12 in FIG. 6.

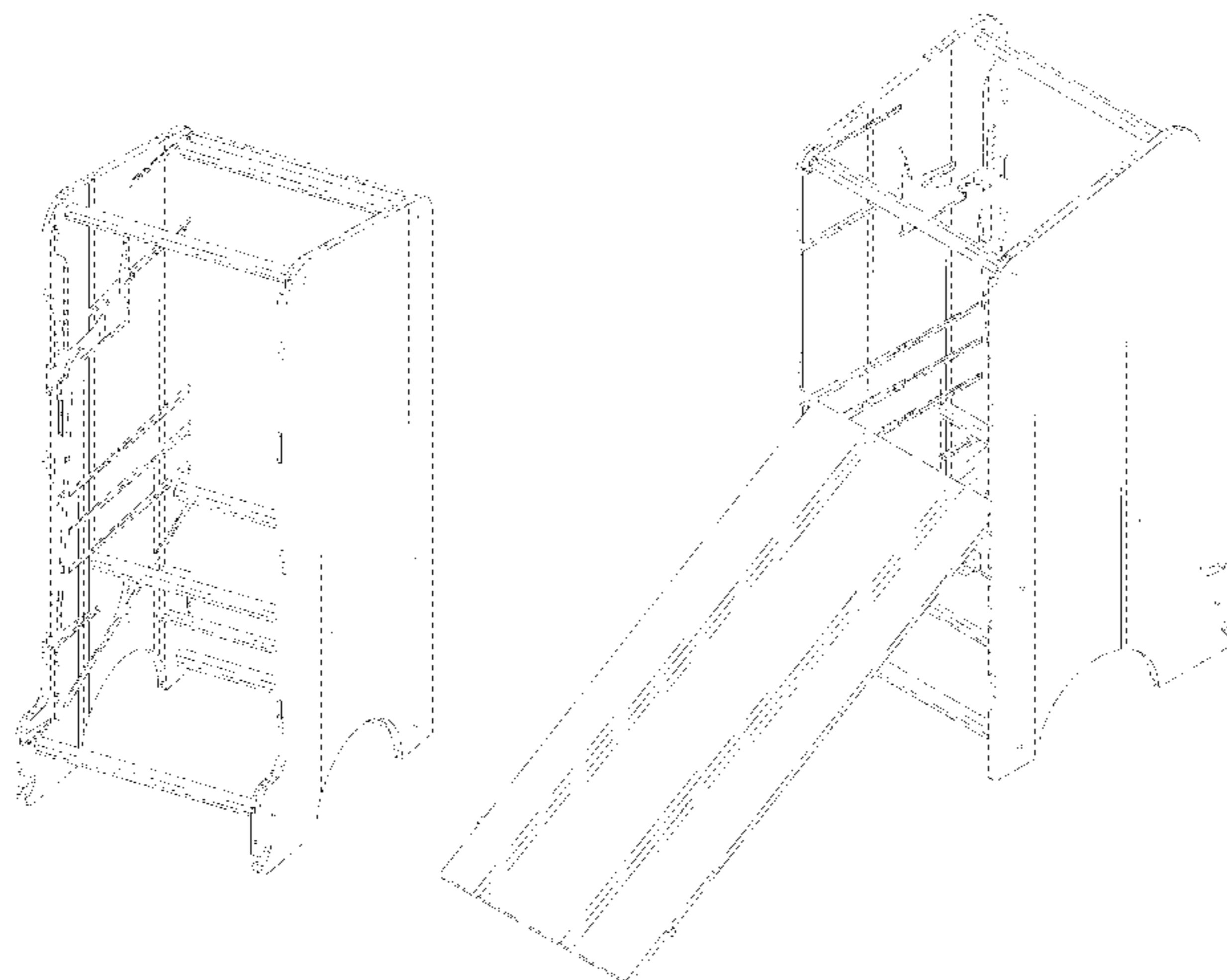
FIG. 13 is a transversal cross-sectional view taken along line 13-13 in FIG. 6.

FIG. 14 is a rear-top-right perspective view of the present design in an alternate configuration; and,

FIG. 15 is a rear-top-left perspective view of the present design in an alternate configuration.

The broken line showing fastener openings in FIGS. 1-5, 10-11, and 14-15 is included for the purpose of illustrating environmental structure and forms no part of the claimed design.

1 Claim, 15 Drawing Sheets



(56)

References Cited

U.S. PATENT DOCUMENTS

3,592,506 A 7/1971 Breslow
D303,826 S * 10/1989 Aker D21/818
D577,209 S * 9/2008 Prent-de Jong D6/333
D907,379 S * 1/2021 Pankratz D6/350
D929,138 S * 8/2021 Mežkats D6/350
D935,208 S * 11/2021 Meng D6/350
2015/0053635 A1 2/2015 Ahart
2019/0174918 A1 6/2019 King

OTHER PUBLICATIONS

CASSARO Waldorf Climbing Play Tower with Slide and Chalkboard—
Amazon <https://www.amazon.com/CASSARO-Convertible-Tower-Slide-Chalkboard/dp/B083MSCQBR> retrieved from the internet on
Mar. 7, 2022.*

Kcelarec Kids Kitchen Step Stool with Blackboard and Slide—
Amazon, Date first available Mar. 23, 2021 <https://www.amazon.com/dp/B08ZS51BKY> retrieved from the internet on Mar. 7, 2022.*

* cited by examiner

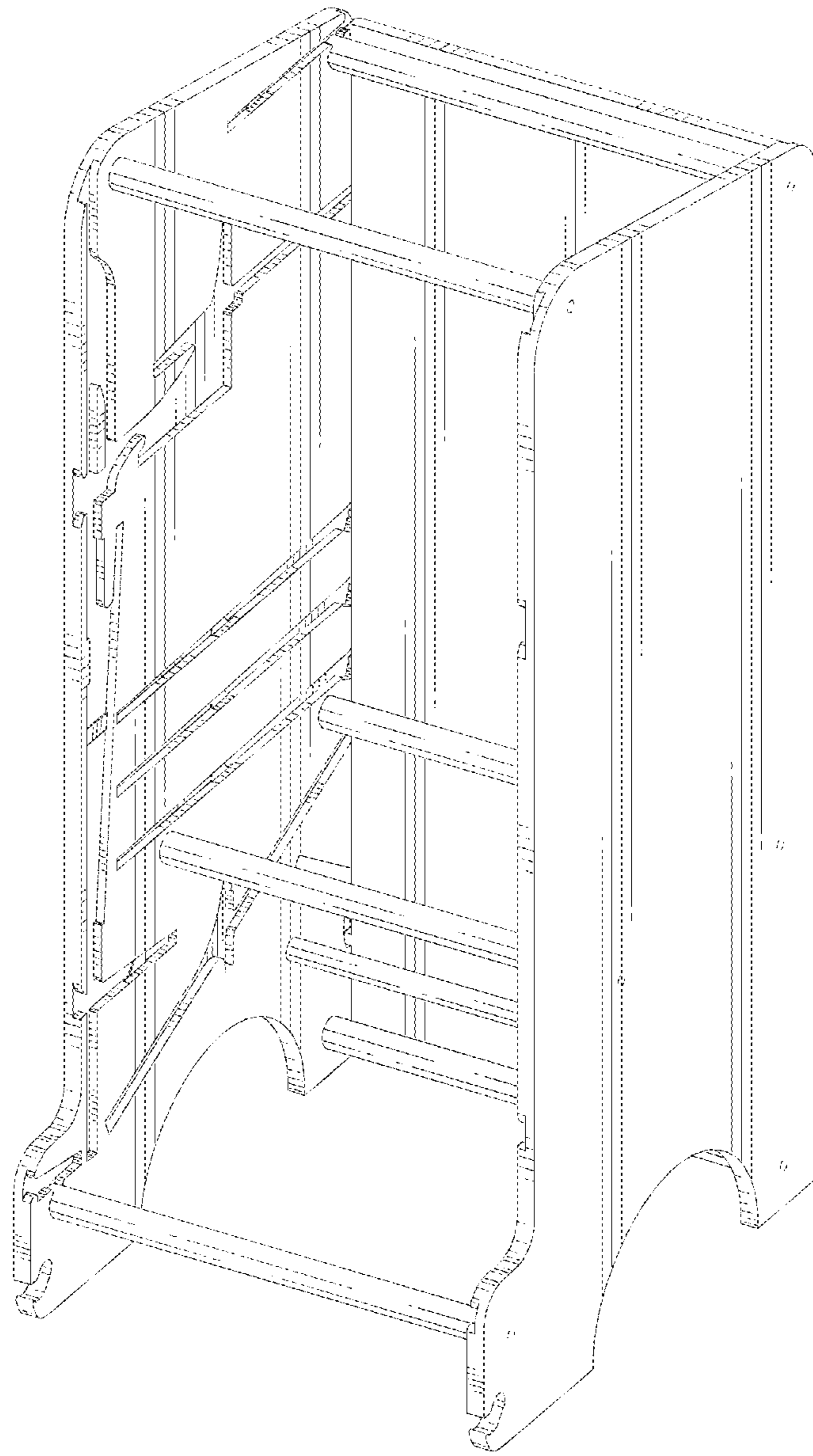


FIG. 1

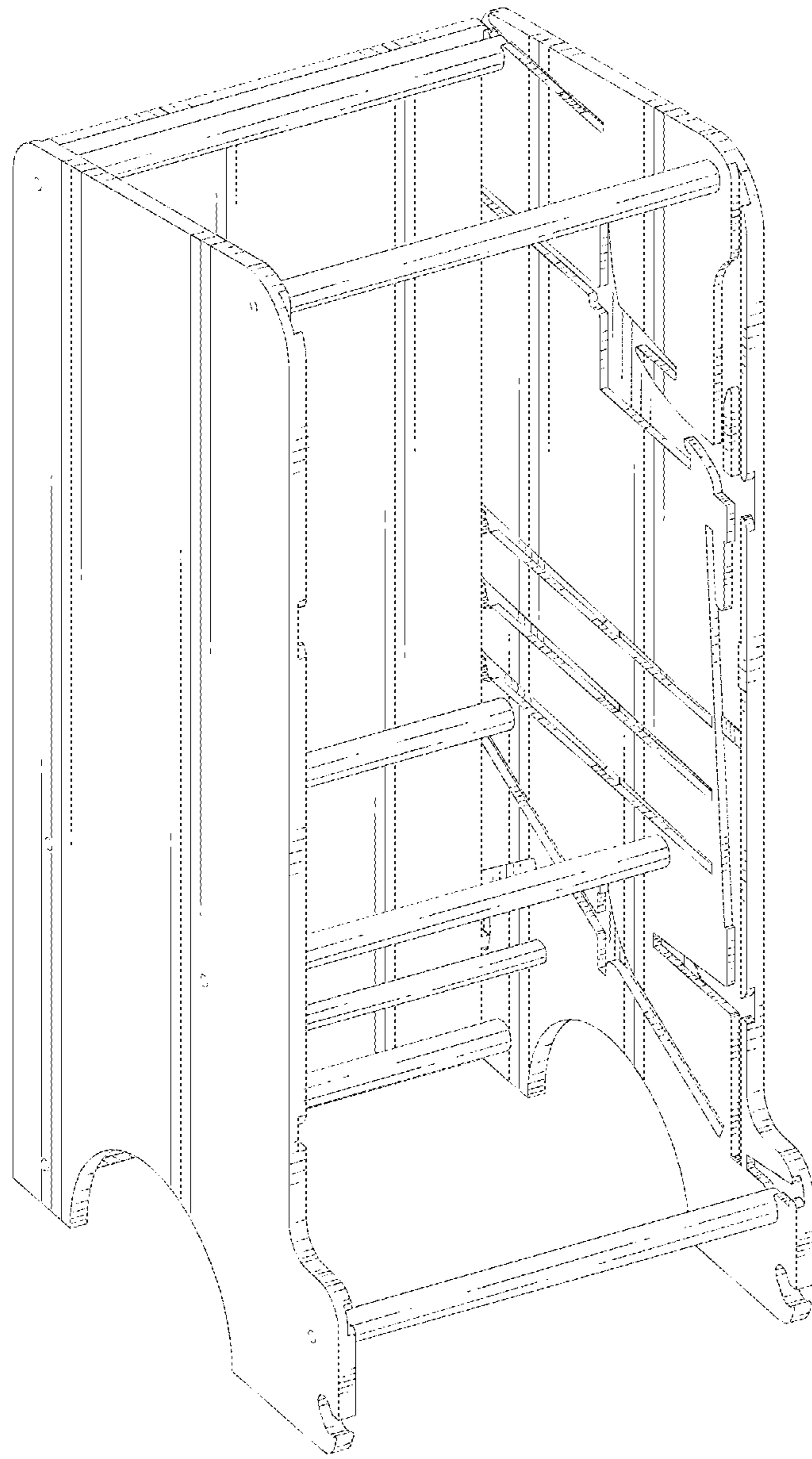


FIG. 2

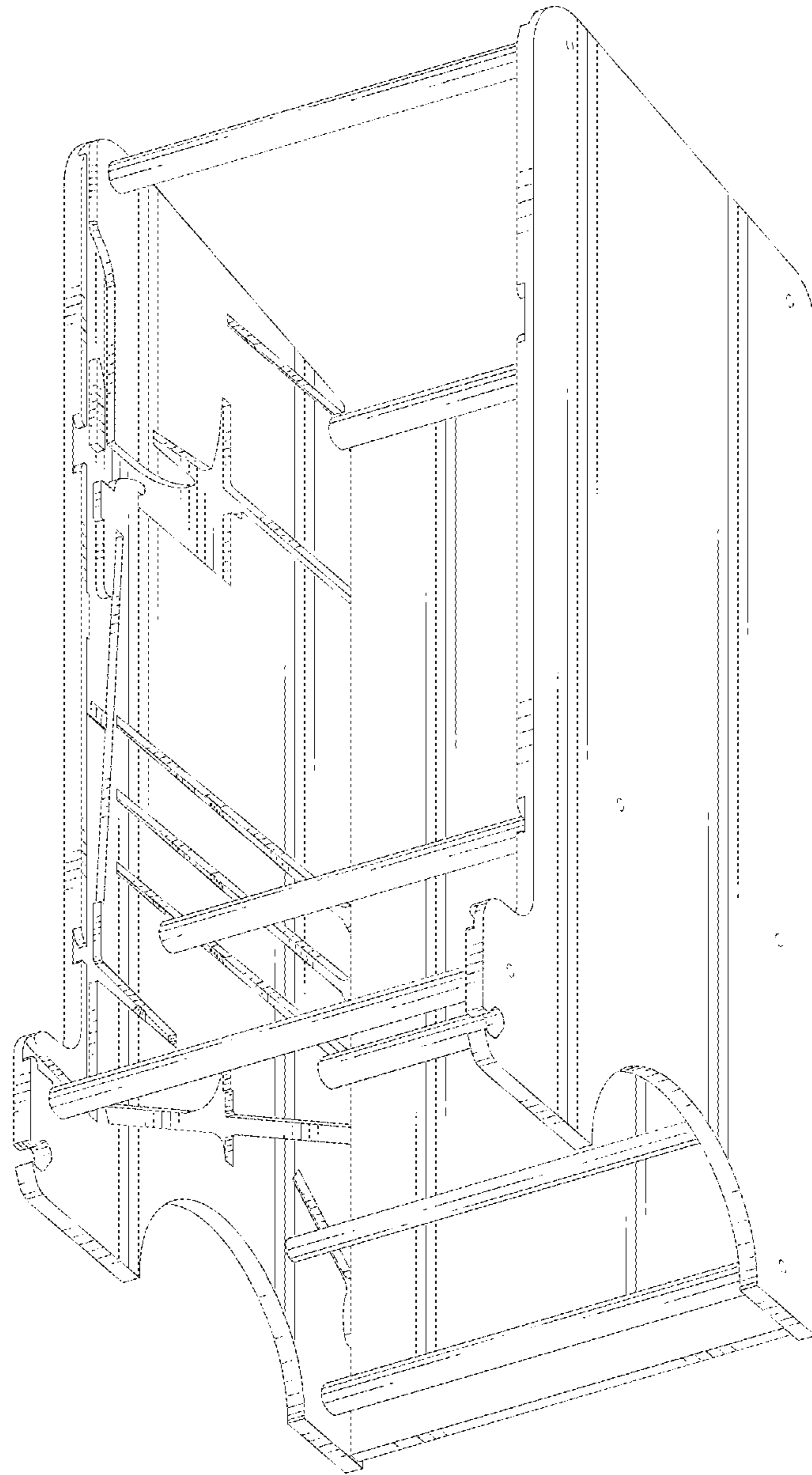


FIG. 3

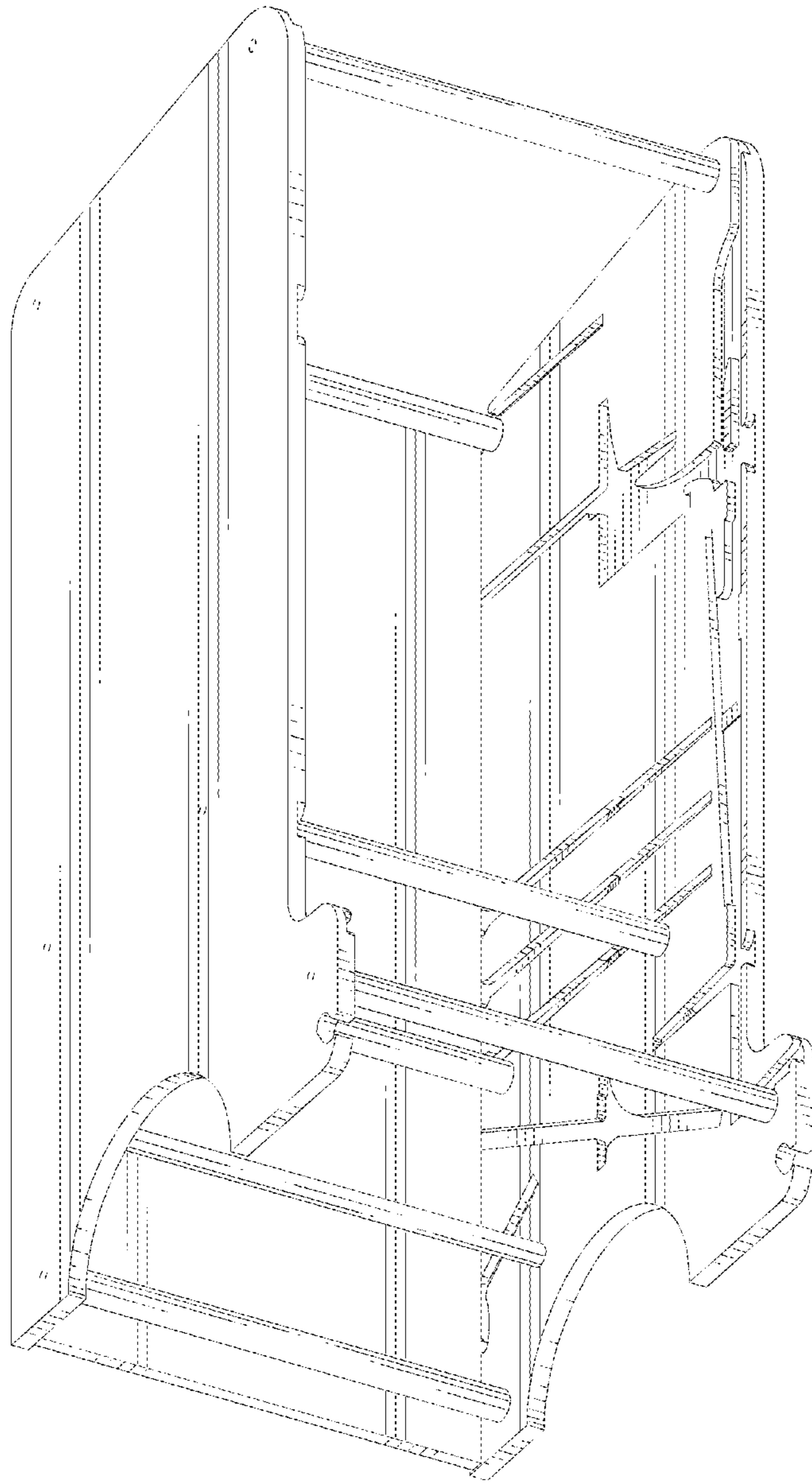


FIG. 4

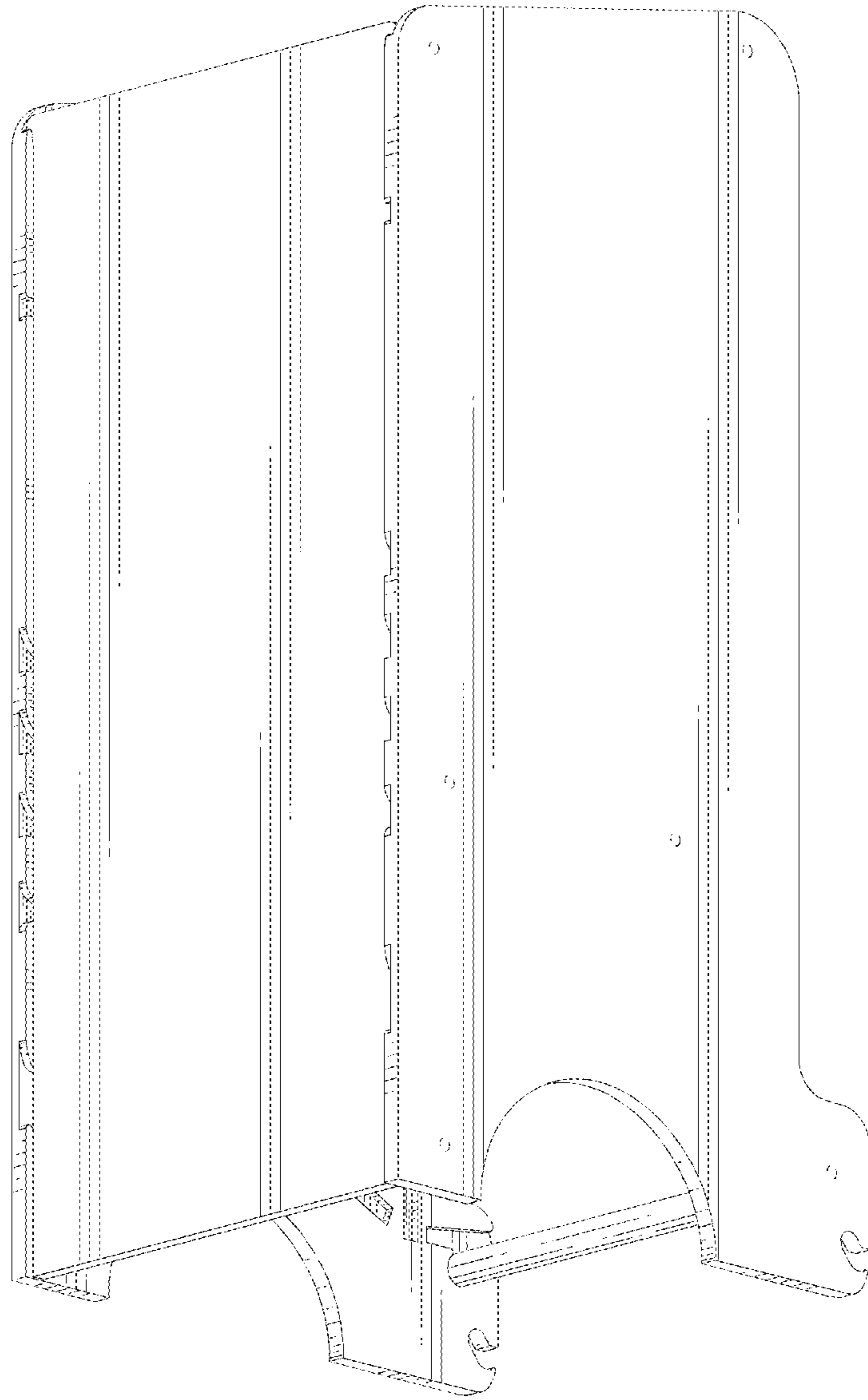


FIG. 5

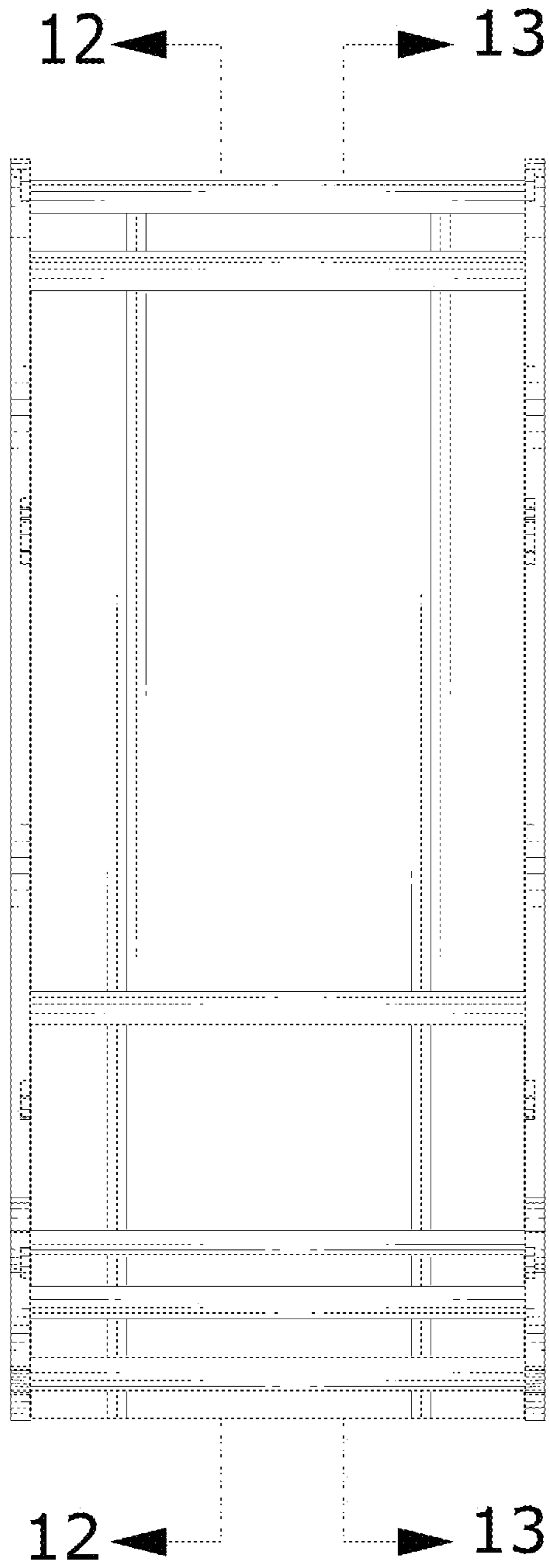


FIG. 6

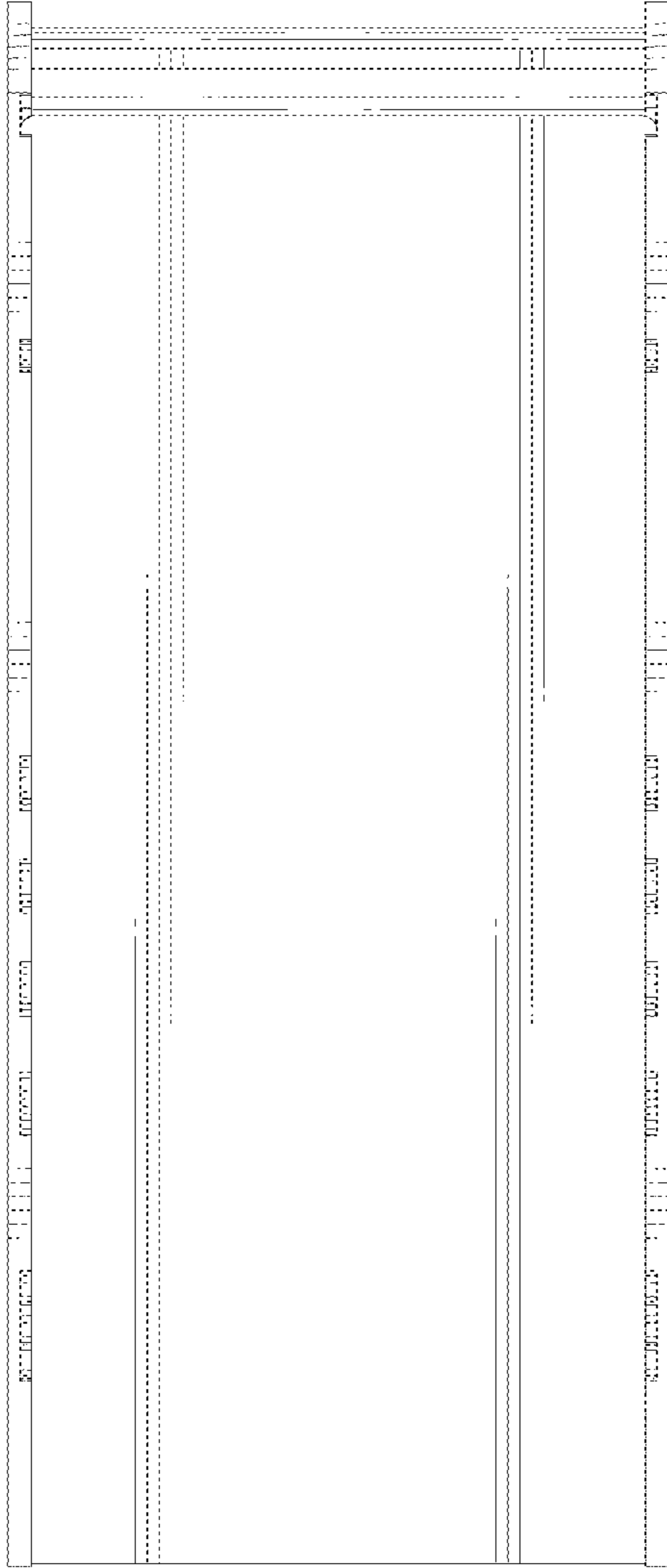


FIG. 7

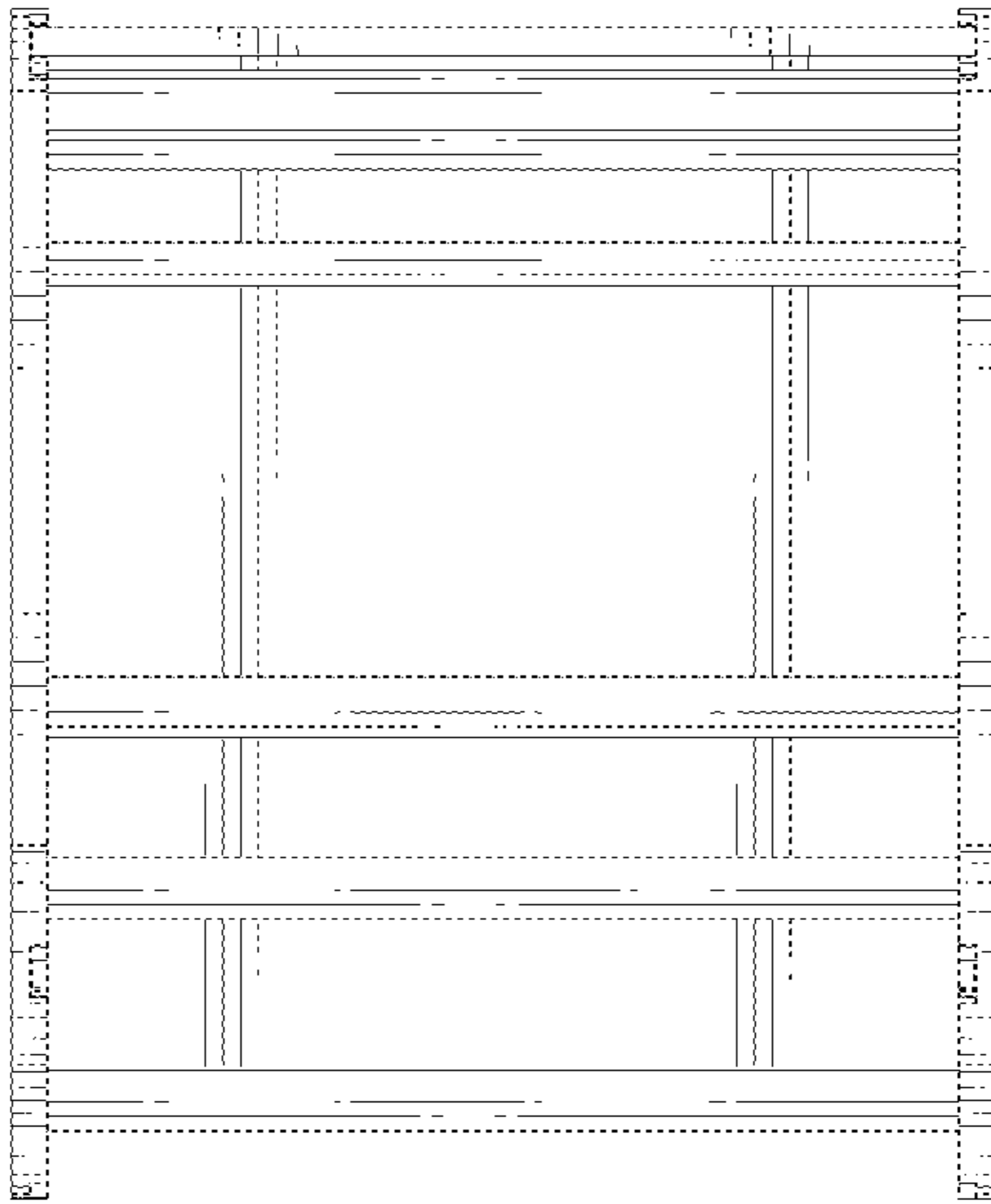


FIG. 8

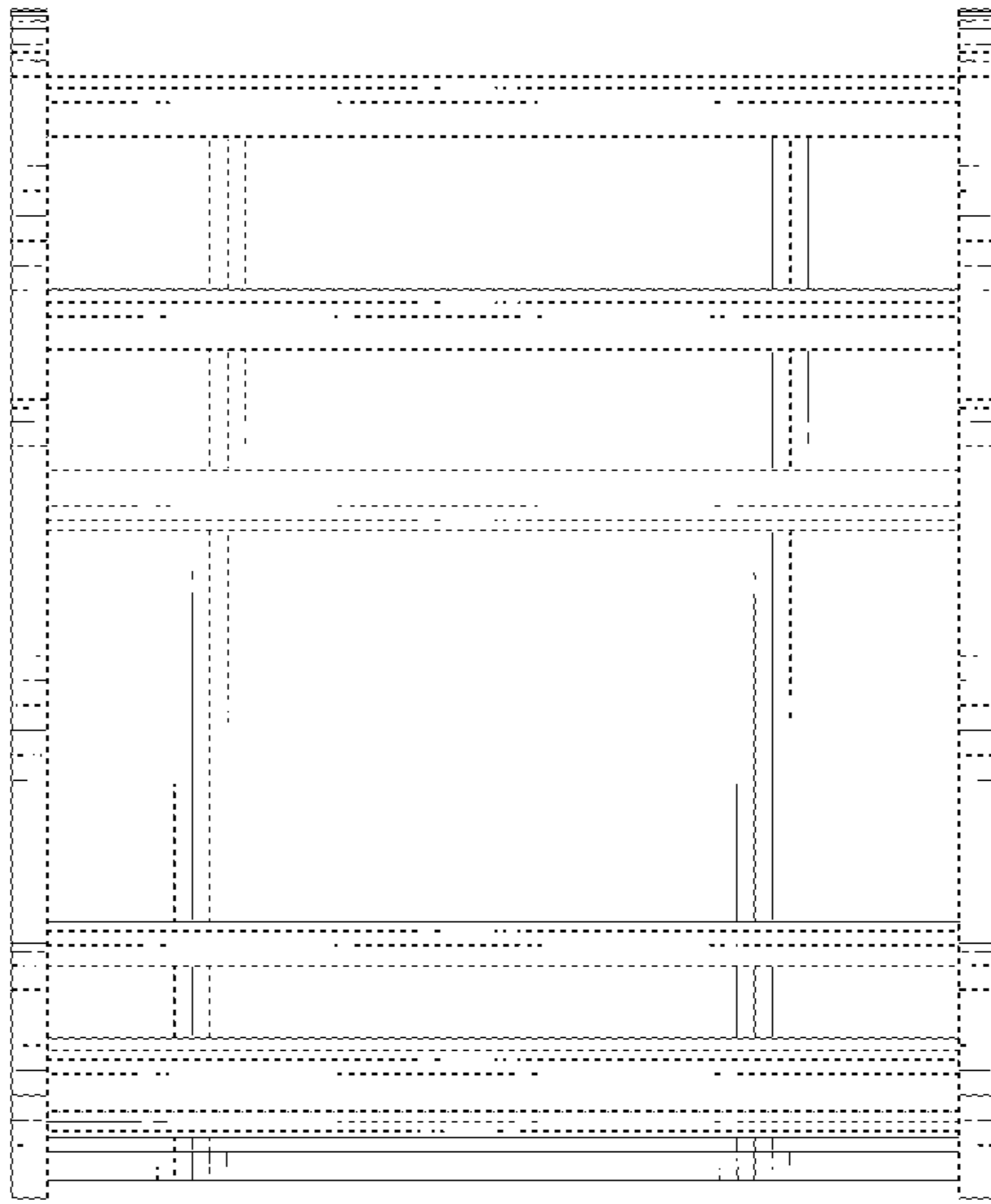


FIG. 9

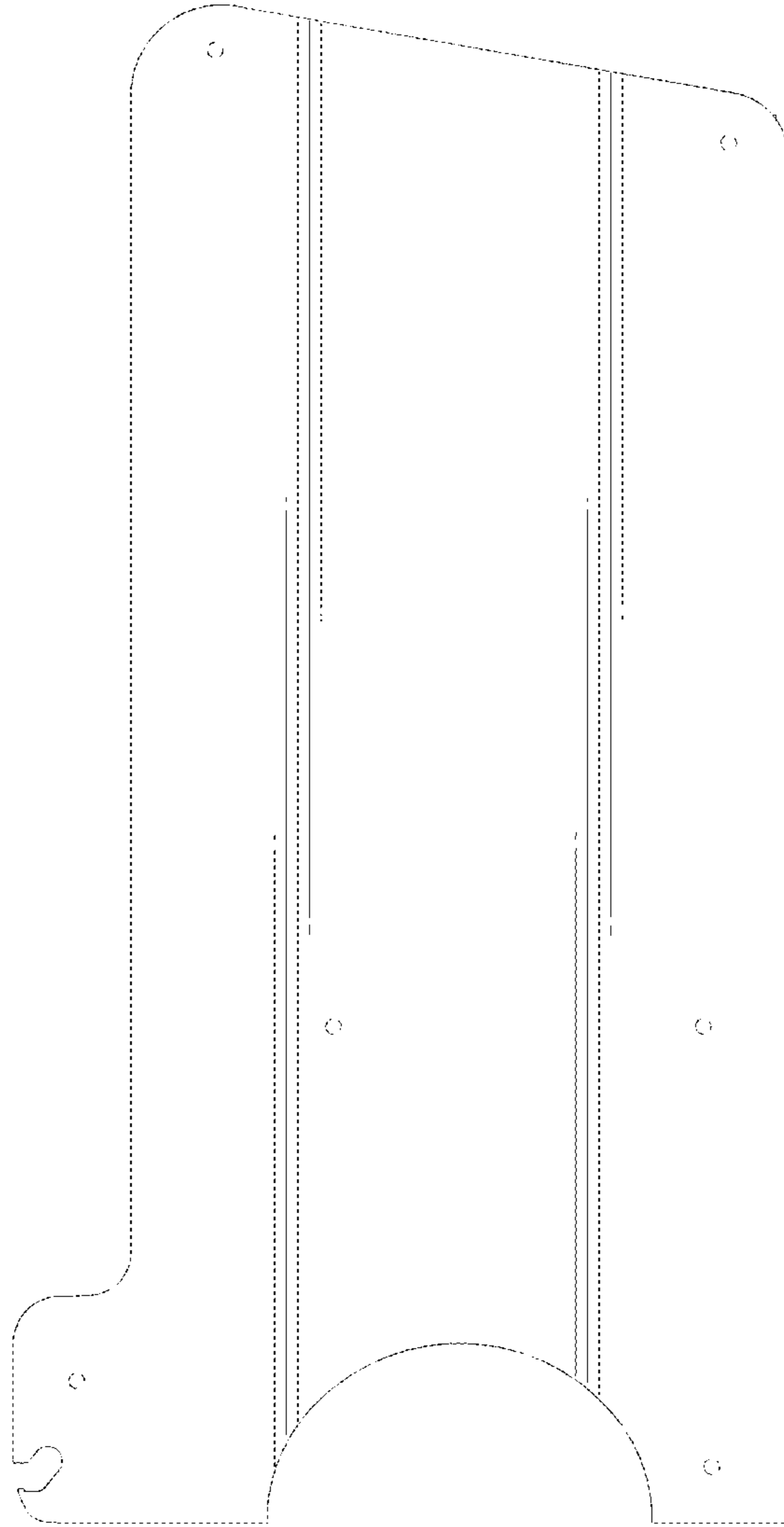


FIG. 10



FIG. 11

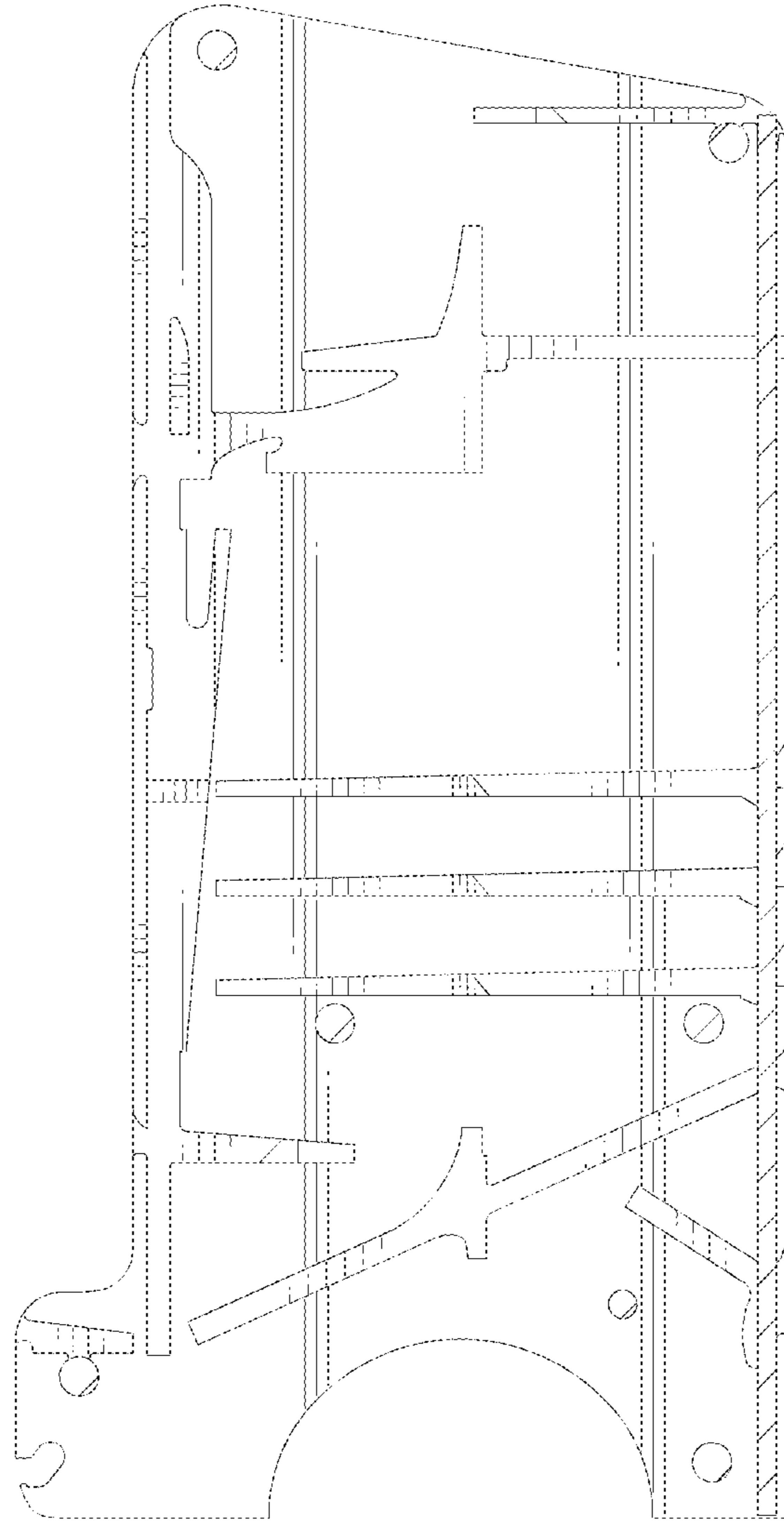


FIG. 12

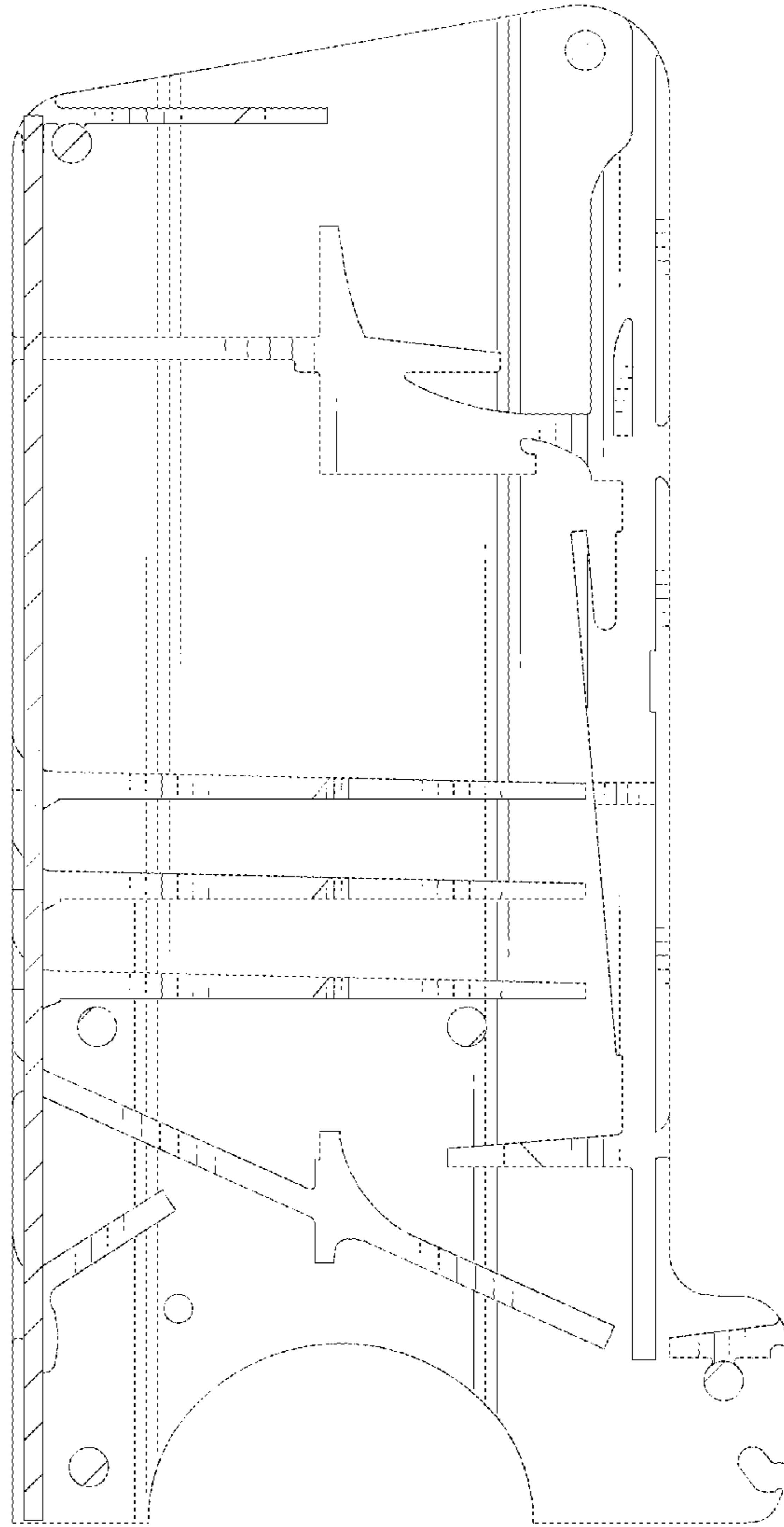


FIG. 13

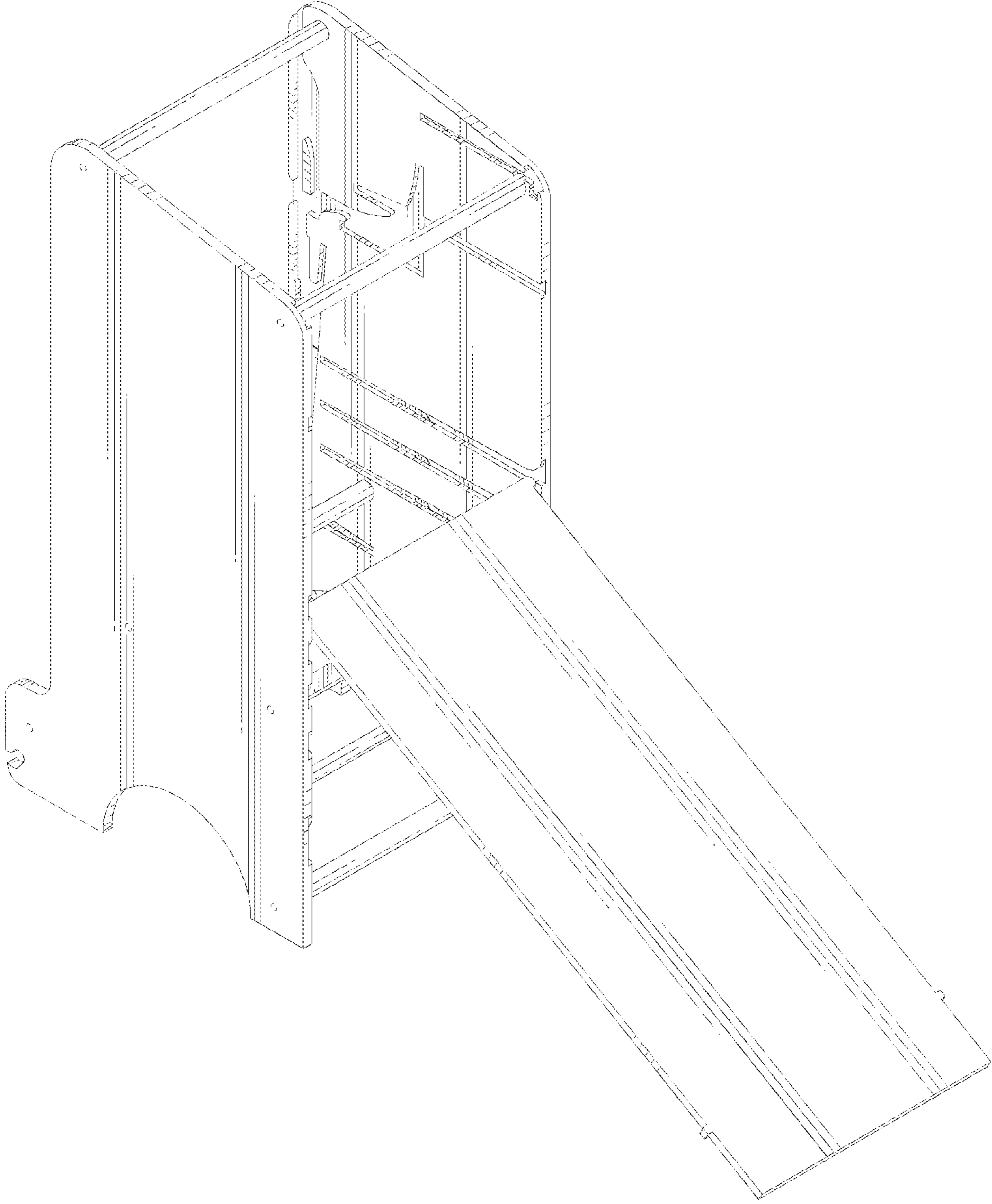


FIG. 14

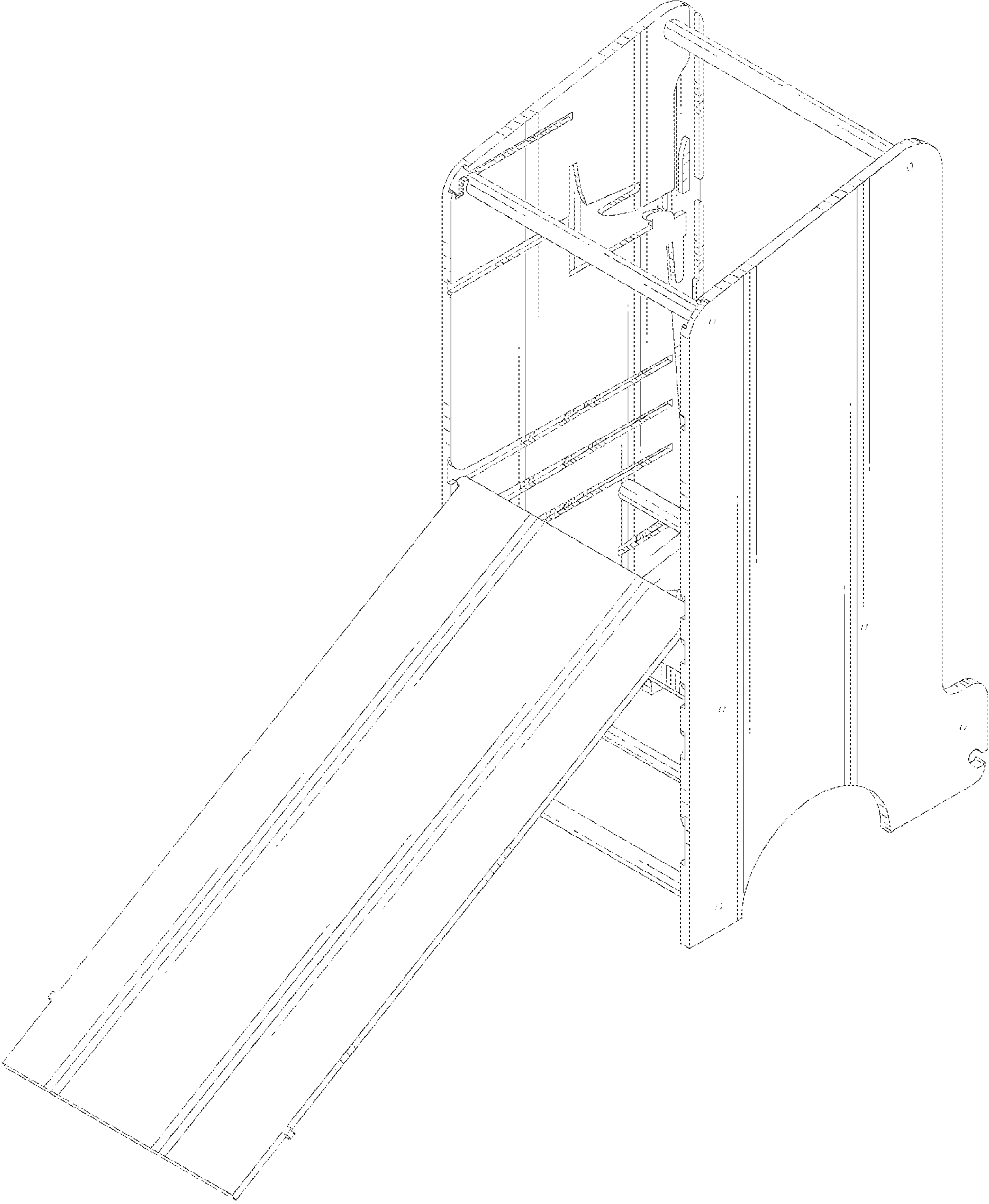


FIG. 15