



US00D955119S

(12) **United States Design Patent**
Liu

(10) **Patent No.:** **US D955,119 S**
(45) **Date of Patent:** **** Jun. 21, 2022**

(54) **MIRROR**

(71) Applicant: **Changwei Liu**, Shenzhen (CN)

(72) Inventor: **Changwei Liu**, Shenzhen (CN)

(**) Term: **15 Years**

(21) Appl. No.: **29/786,680**

(22) Filed: **Jun. 2, 2021**

(51) **LOC (13) Cl.** **06-07**

(52) **U.S. Cl.**
USPC **D6/308; D6/309**

(58) **Field of Classification Search**
USPC D6/300, 301, 302, 303, 304, 307, 308,
D6/309, 310, 311, 312, 313, 314;
D16/135; D28/64.1-64.7
CPC A45D 42/00; A45D 42/10; A45D 42/16;
A45D 42/20; A45D 42/24; A47G 1/00;
A47G 1/02; A47G 1/04; A47G 1/0622;
B60J 3/0282

See application file for complete search history.

(56) **References Cited**

U.S. PATENT DOCUMENTS

D267,218 S	*	12/1982	Thompson	D6/309
D336,721 S	*	6/1993	Froidevaux	D6/300
D776,945 S	*	1/2017	Yang	D6/309
D807,649 S		1/2018	Zadro		
D880,171 S		4/2020	Yang		
D895,982 S	*	9/2020	Yang	D6/309
D899,107 S	*	10/2020	Luo	D6/309
D905,449 S	*	12/2020	Yang	D6/310
D909,768 S	*	2/2021	Li	D6/309

D919,981 S	*	5/2021	Li	D6/309
D932,198 S	*	10/2021	Sze	D6/309
D938,170 S	*	12/2021	Liu	D6/309

FOREIGN PATENT DOCUMENTS

EM 008562276-0002 * 6/2021

OTHER PUBLICATIONS

10X Magnifying Makeup Mirror with Lights [online], [site visited Feb. 2022]. Available from internet, URL: <<https://www.amazon.com/dp/B09MPVG5BM/>> (Year: 2021).*

* cited by examiner

Primary Examiner — George A Bugg
Assistant Examiner — Xavier Marti-Santos

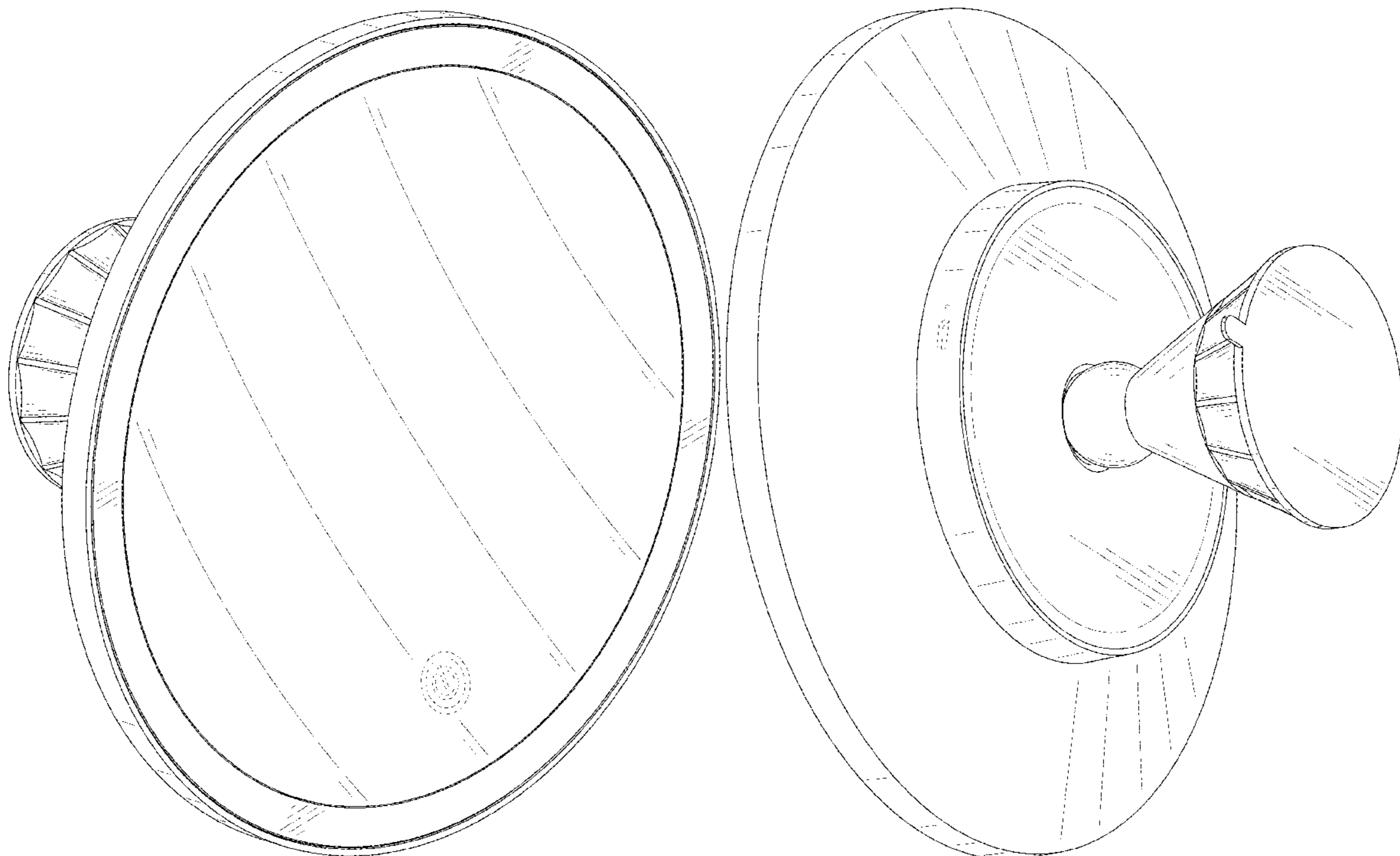
(57) **CLAIM**

The ornamental design for a mirror, as shown and described.

DESCRIPTION

FIG. 1 is a perspective view of a mirror showing my new design;
FIG. 2 is another perspective view thereof;
FIG. 3 is a front elevational view thereof;
FIG. 4 is a rear elevational view thereof;
FIG. 5 is a left side elevational view thereof;
FIG. 6 is a right side elevational view thereof;
FIG. 7 is a top plan view thereof; and,
FIG. 8 is a bottom plan view thereof.
The broken lines in the drawings depict portions of the mirror that form no part of the claimed design.

1 Claim, 8 Drawing Sheets



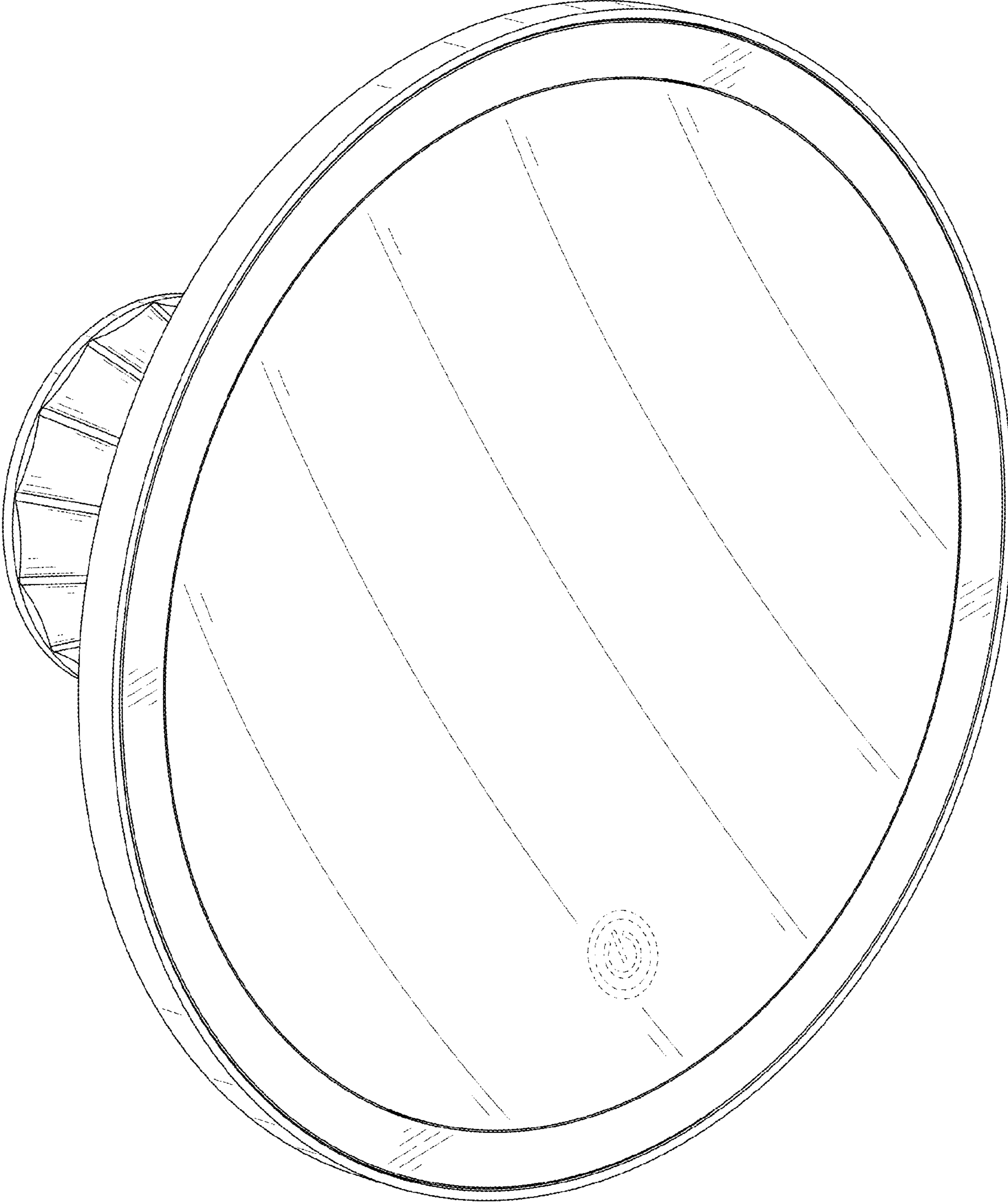


FIG. 1

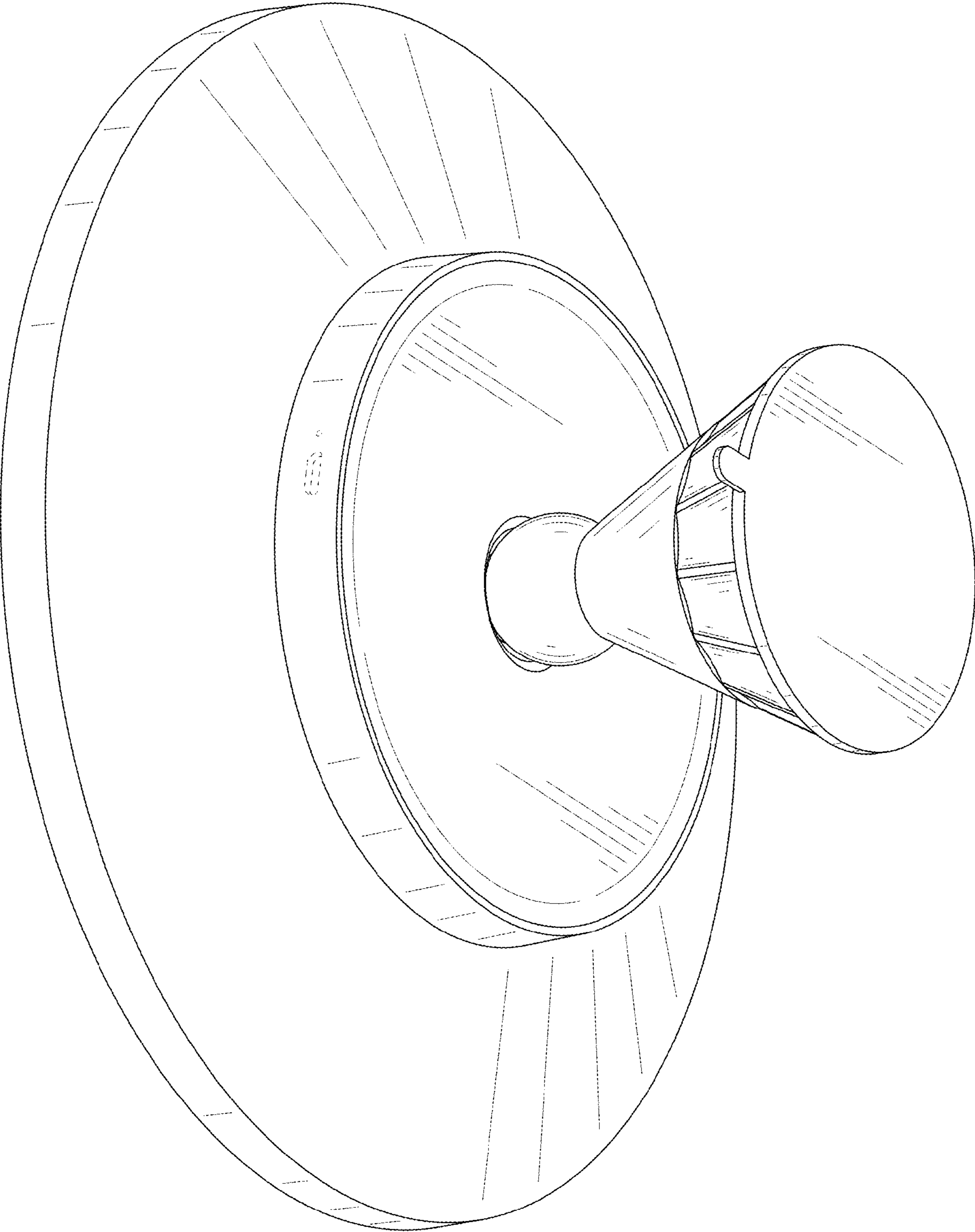


FIG. 2

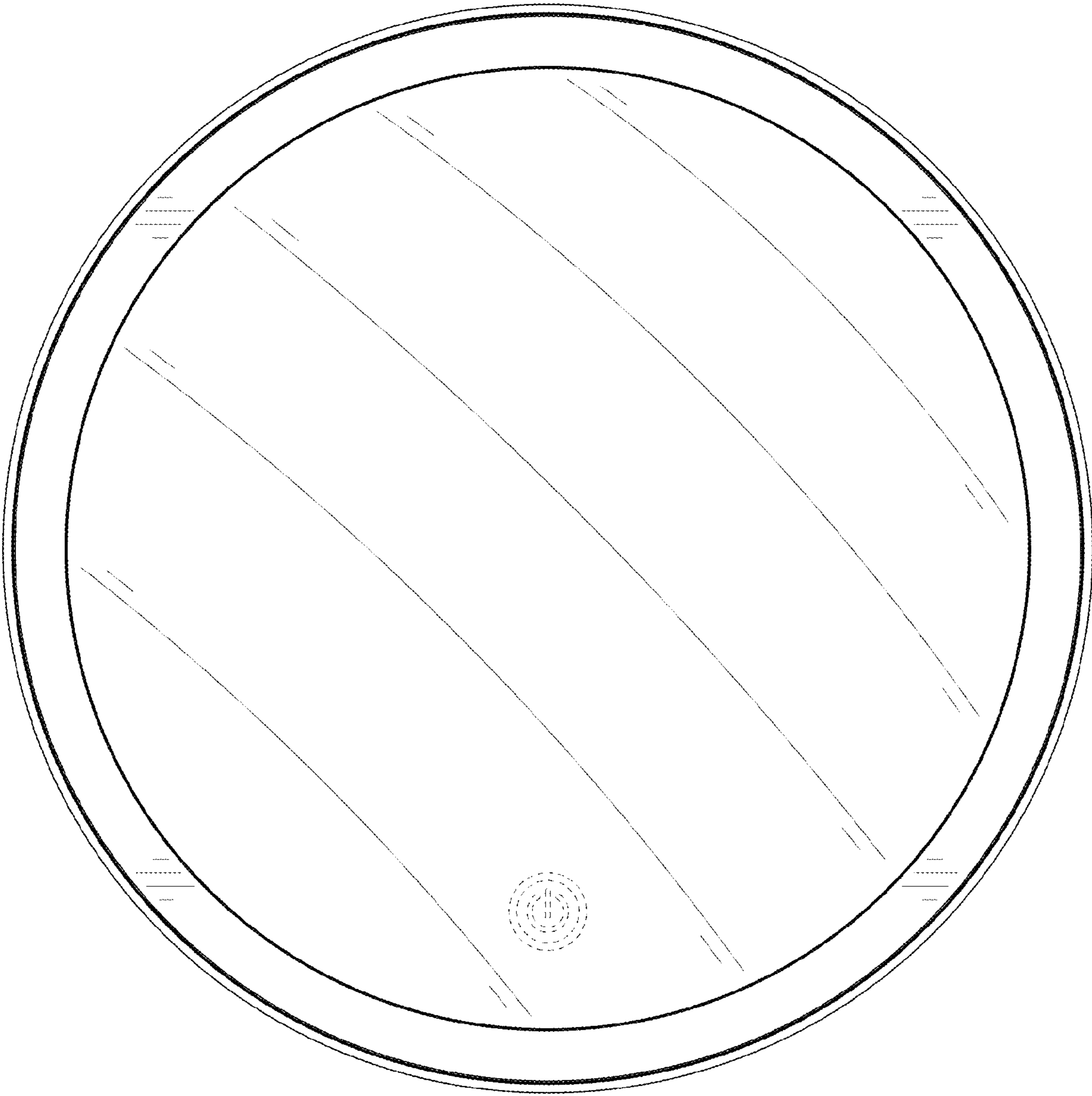


FIG. 3

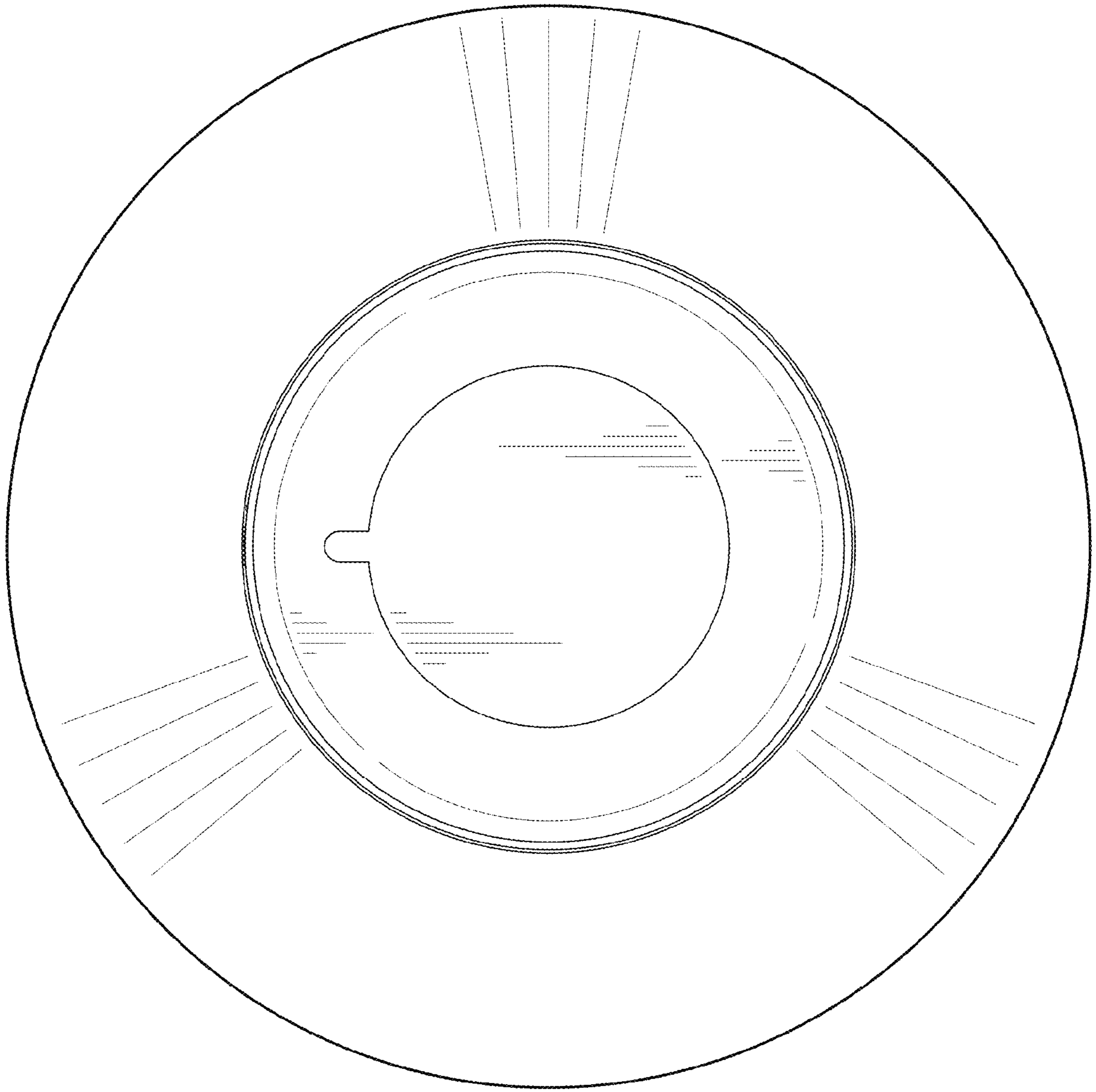


FIG. 4

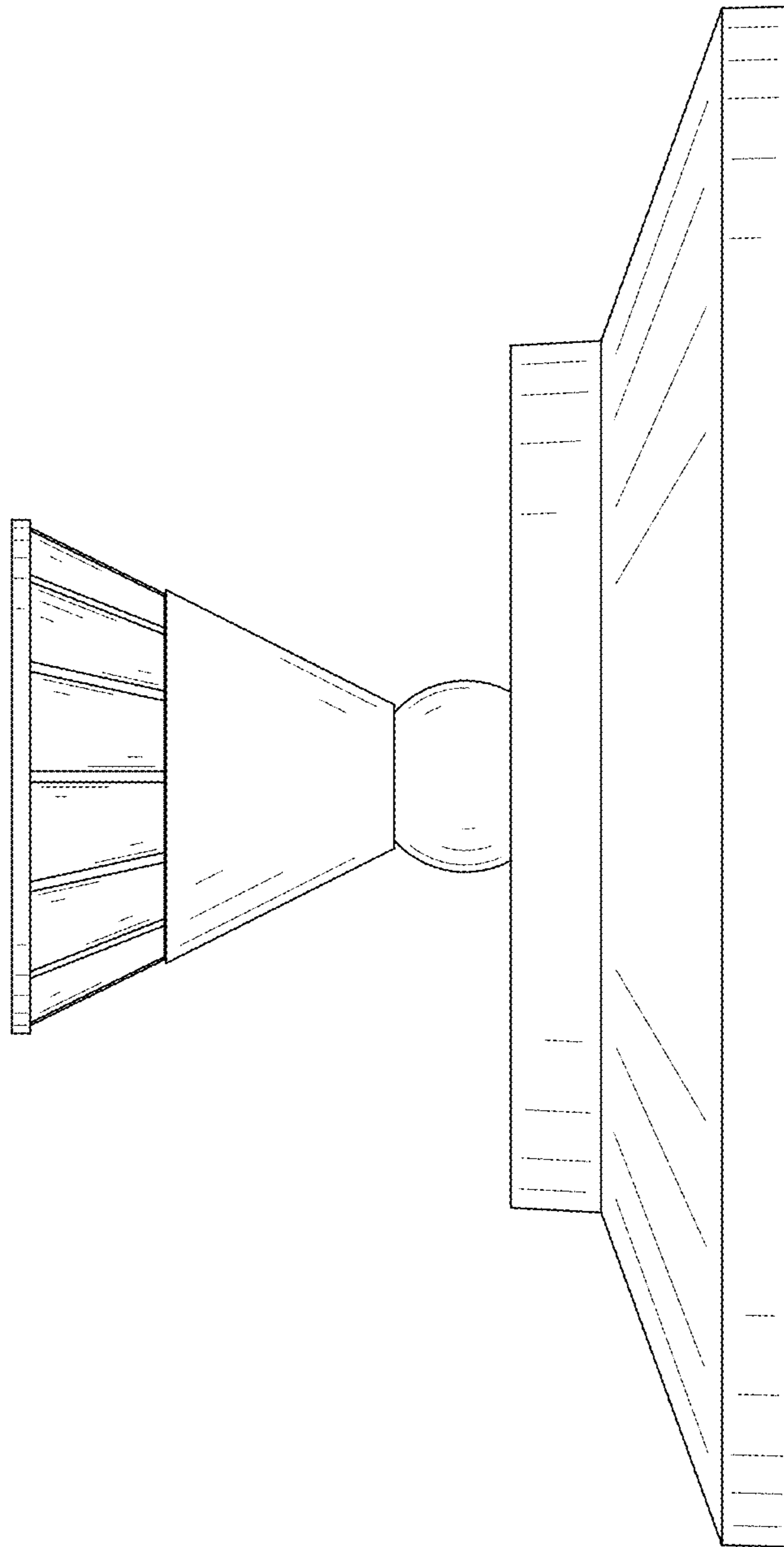


FIG. 5

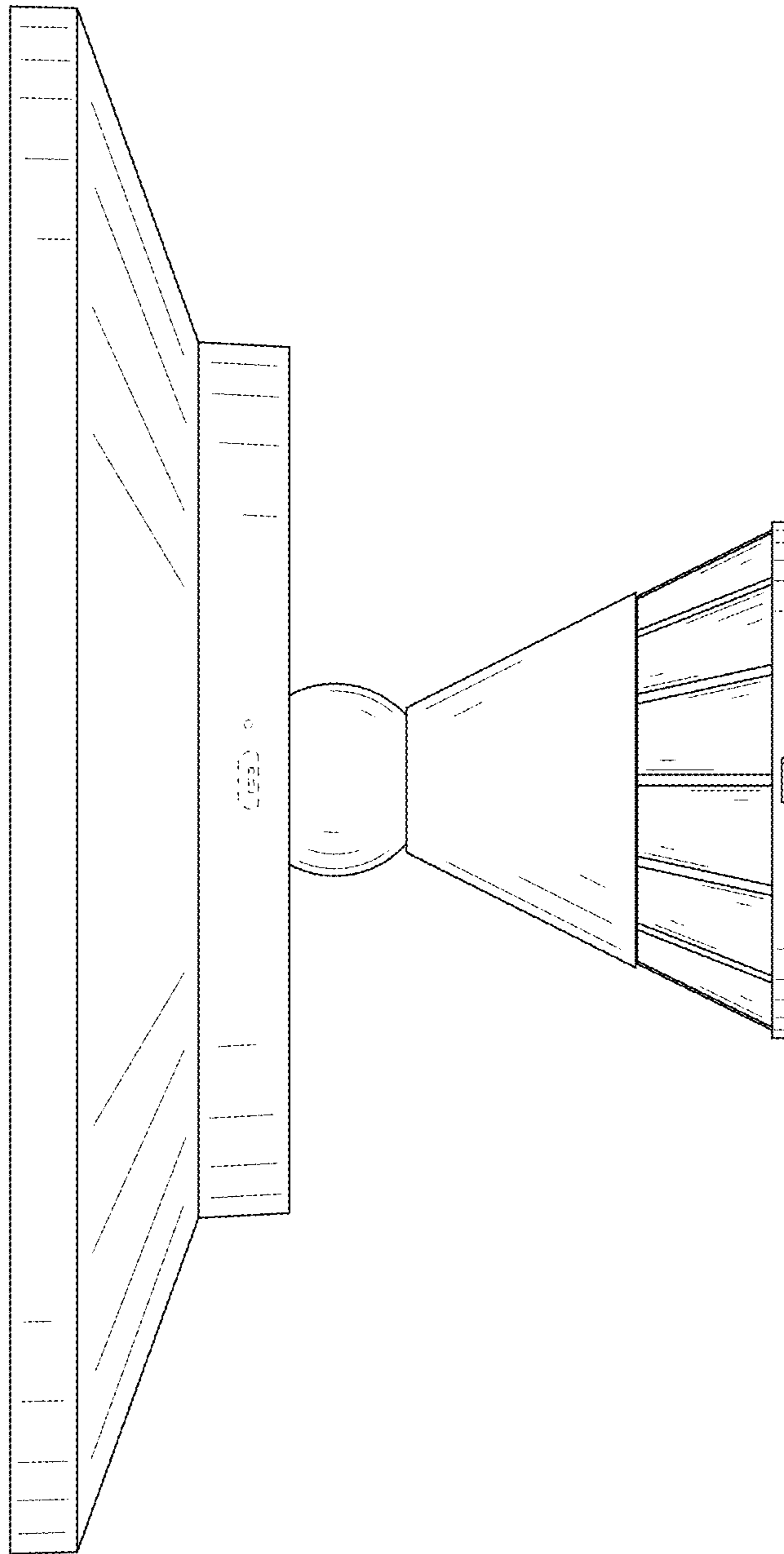


FIG. 6

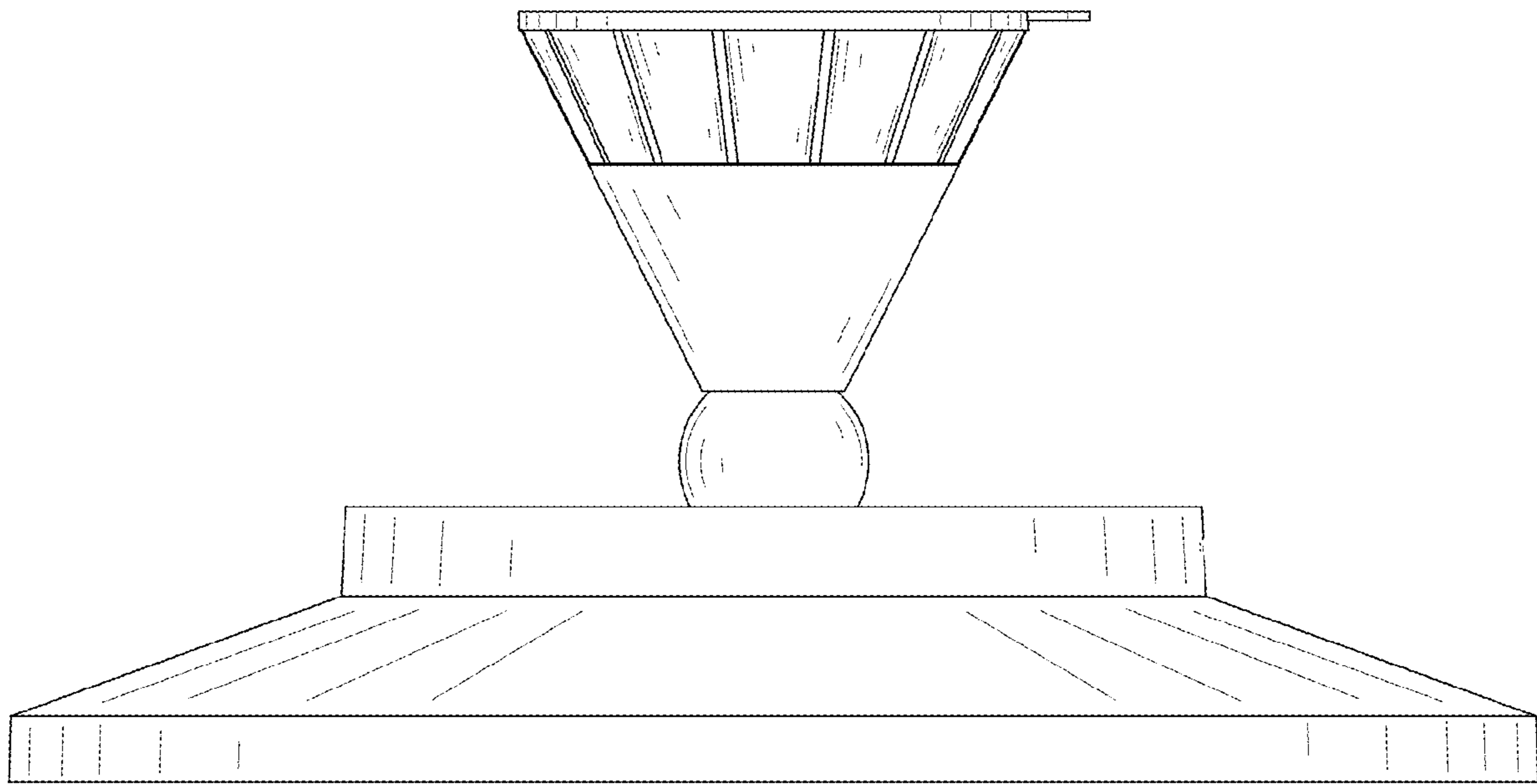


FIG. 7

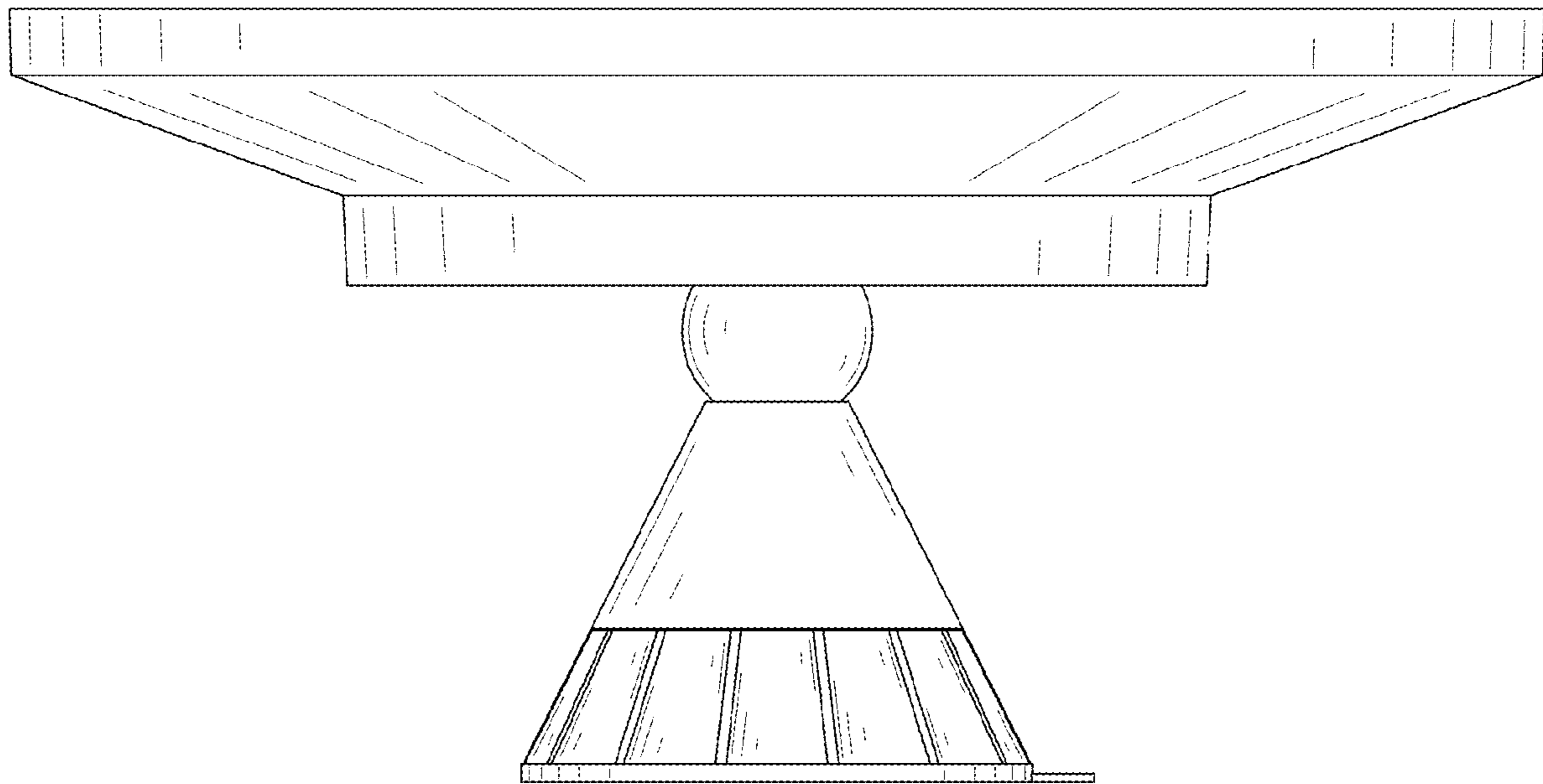


FIG. 8