



US00D955118S

(12) **United States Design Patent**
Liang

(10) **Patent No.:** **US D955,118 S**
(45) **Date of Patent:** **** Jun. 21, 2022**

- (54) **MAKEUP MIRROR**
- (71) Applicant: **Wencheng Liang**, Shenzhen (CN)
- (72) Inventor: **Wencheng Liang**, Shenzhen (CN)
- (**) Term: **15 Years**
- (21) Appl. No.: **29/765,965**
- (22) Filed: **Jan. 13, 2021**
- (51) **LOC (13) Cl.** **06-07**
- (52) **U.S. Cl.**
USPC **D6/308**
- (58) **Field of Classification Search**
USPC D6/300-314
CPC .. A47G 1/00; A47G 2001/002; F21V 33/004;
A45D 42/10
See application file for complete search history.

D929,749 S * 9/2021 Choi D6/301
D941,040 S * 1/2022 Fumiya D6/310
D941,042 S * 1/2022 Fumiya D6/310

FOREIGN PATENT DOCUMENTS

CN 306684531 * 7/2021
CN 306773923 * 8/2021

* cited by examiner

Primary Examiner — Deanna L Pratt

(57) **CLAIM**

The ornamental design for a makeup mirror, as shown and described.

DESCRIPTION

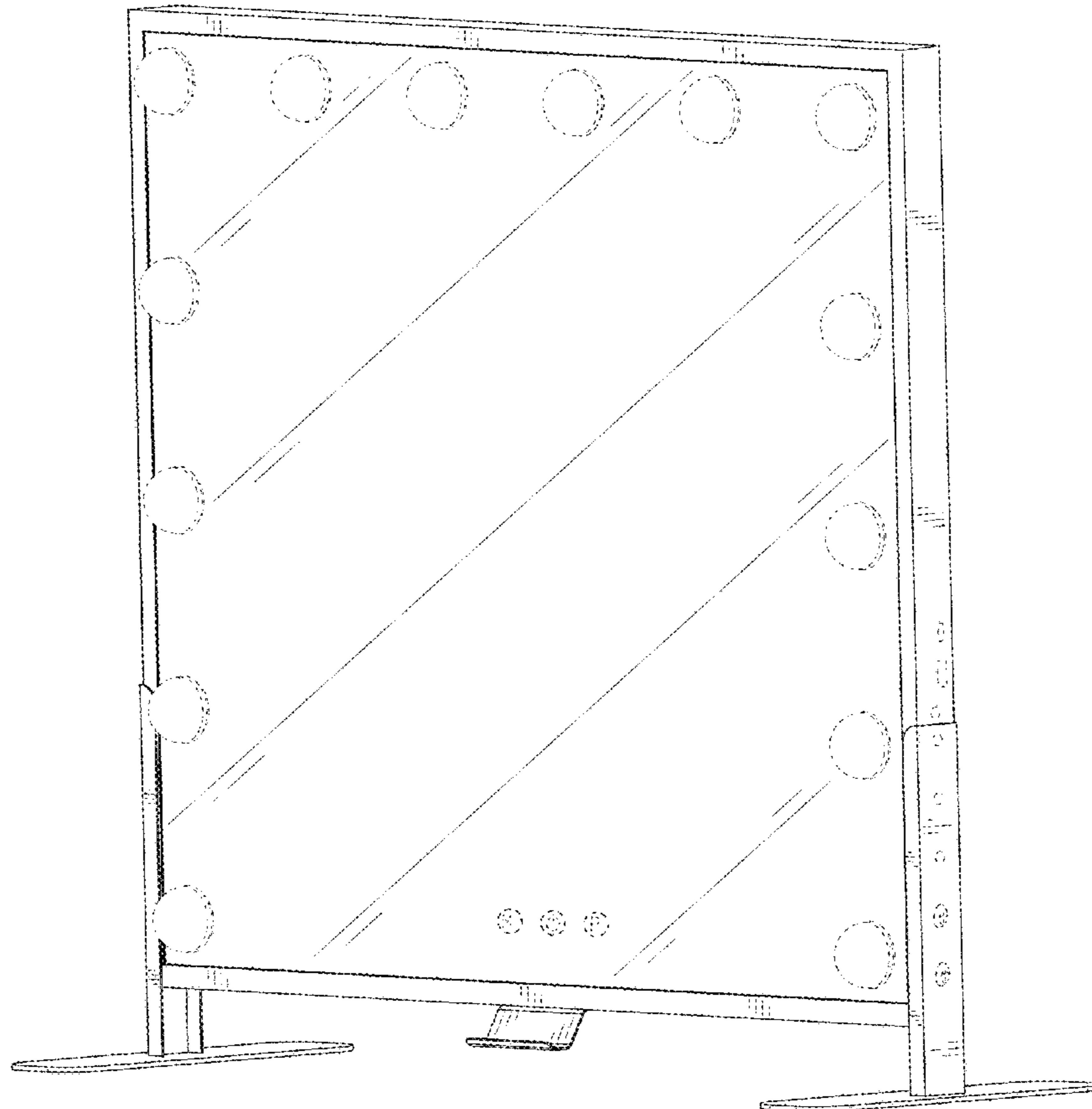
FIG. 1 is a perspective view of a makeup mirror showing my new design;
FIG. 2 is a front elevational view thereof;
FIG. 3 is a rear elevational view thereof;
FIG. 4 is a left side elevational view thereof;
FIG. 5 is a right side elevational view thereof;
FIG. 6 is a top plan view thereof;
FIG. 7 is a bottom plan view thereof; and,
FIG. 8 is a perspective view of the makeup mirror where the makeup mirror is in a configuration of use.
The broken lines in the drawings depict portions of the makeup mirror that form no part of the claimed design.

(56) **References Cited**

U.S. PATENT DOCUMENTS

D779,835 S * 2/2017 Zhang D6/300
D865,374 S 11/2019 Yang
D880,171 S 4/2020 Yang
D882,279 S * 4/2020 Zhu D6/310
D898,384 S * 10/2020 Liu D6/308
D902,607 S * 11/2020 Liu D6/310
D918,601 S * 5/2021 Liu D6/300
D923,945 S * 7/2021 Du D6/308

1 Claim, 8 Drawing Sheets



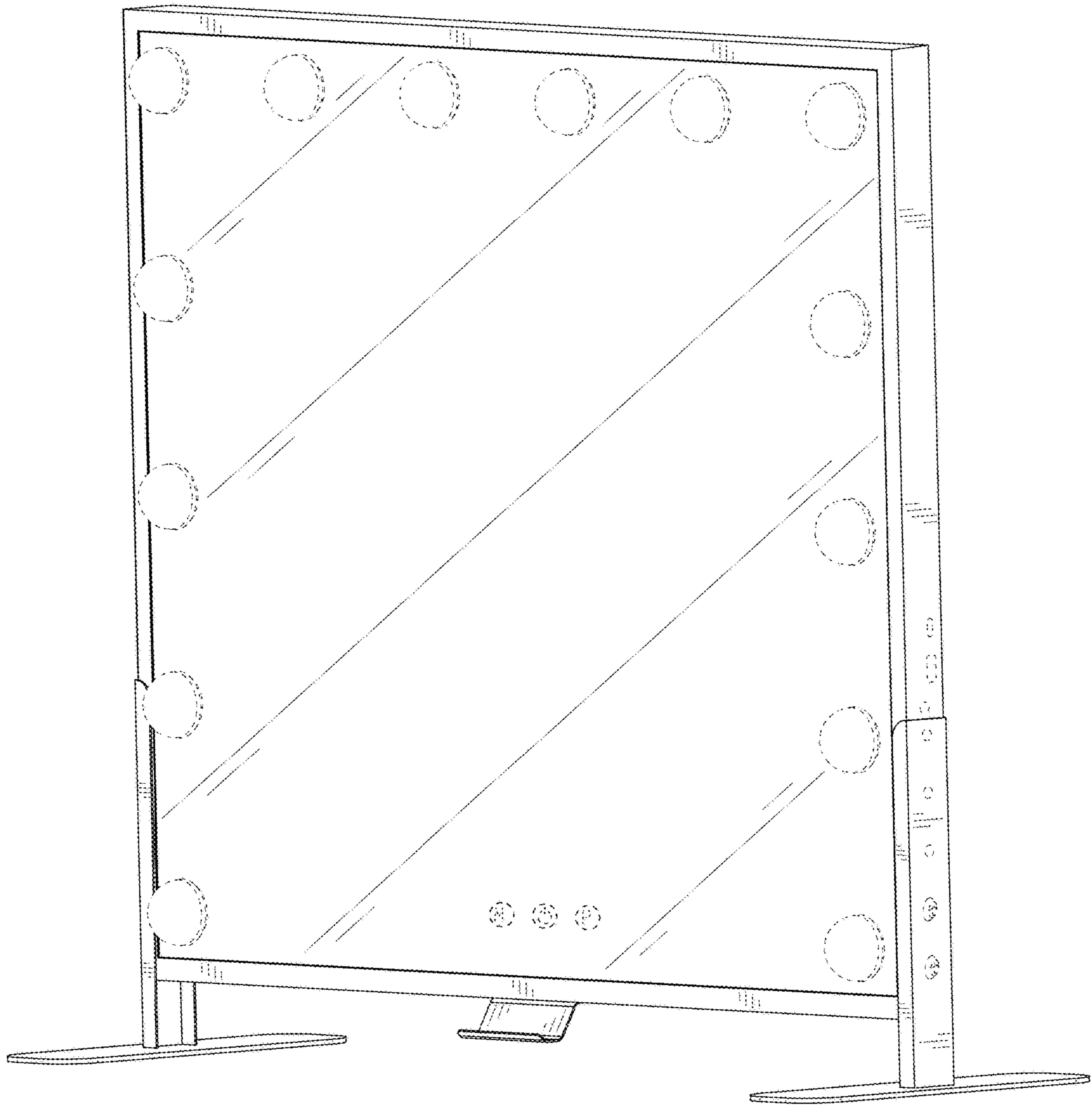


FIG. 1

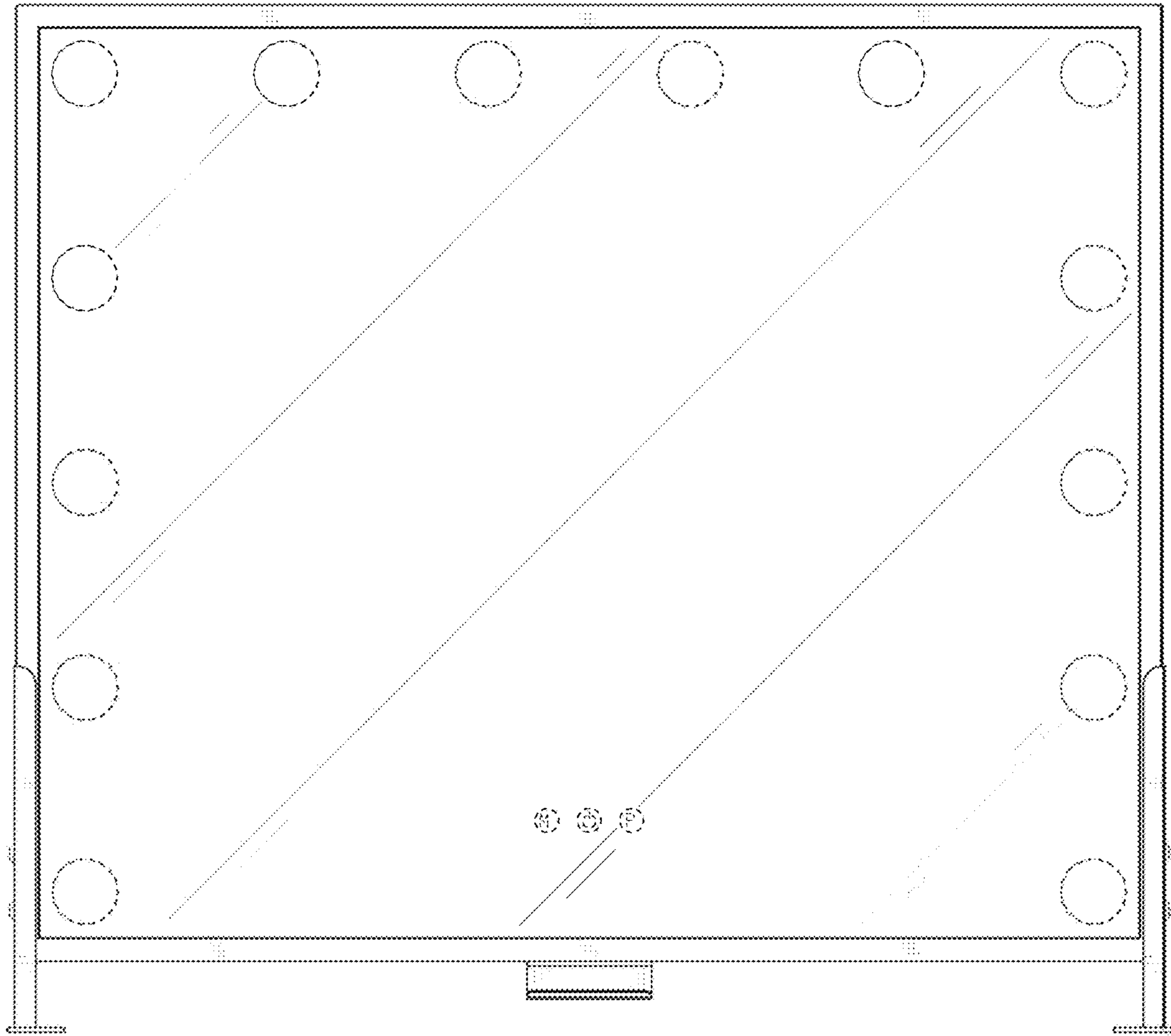


FIG. 2

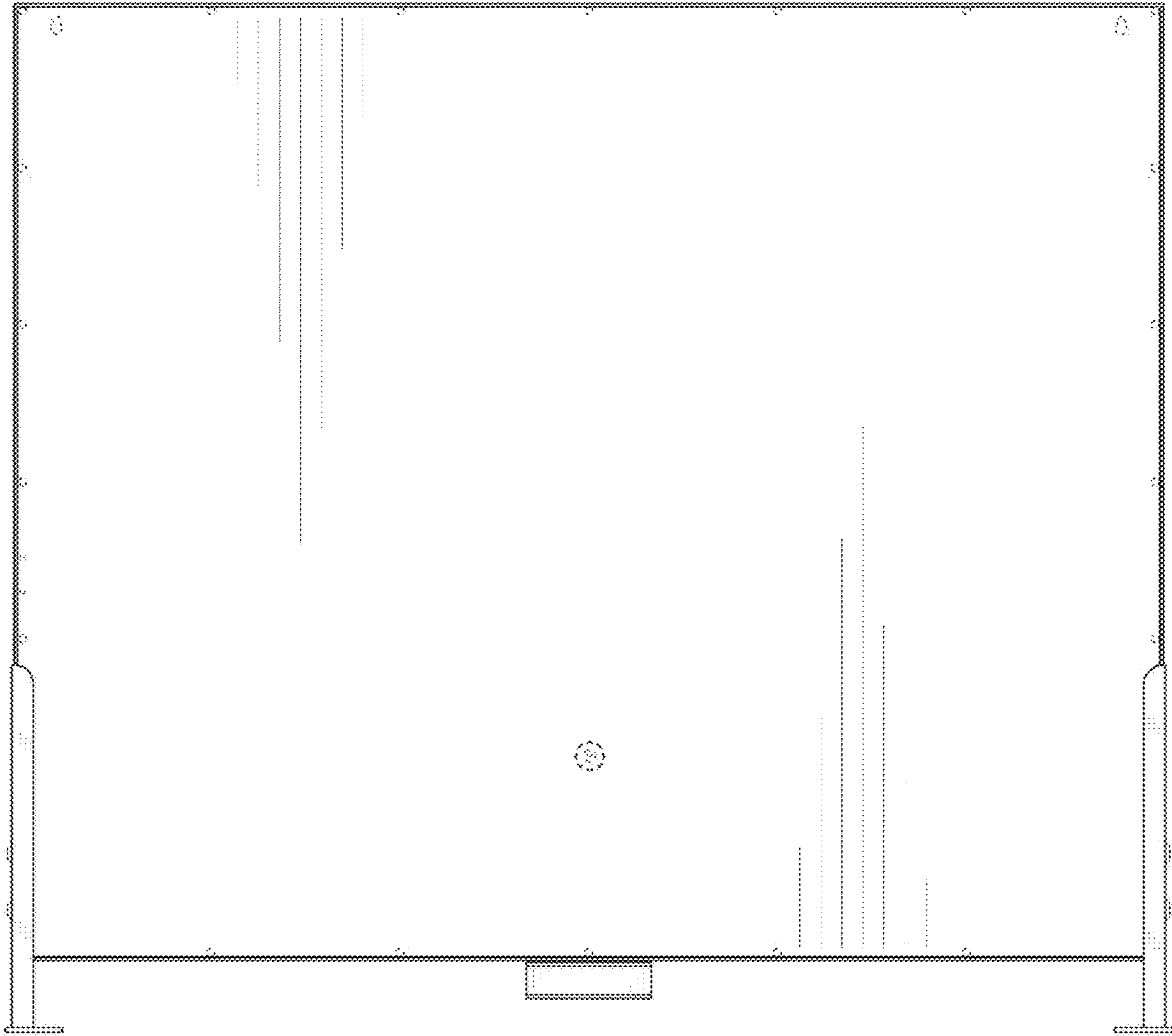


FIG. 3

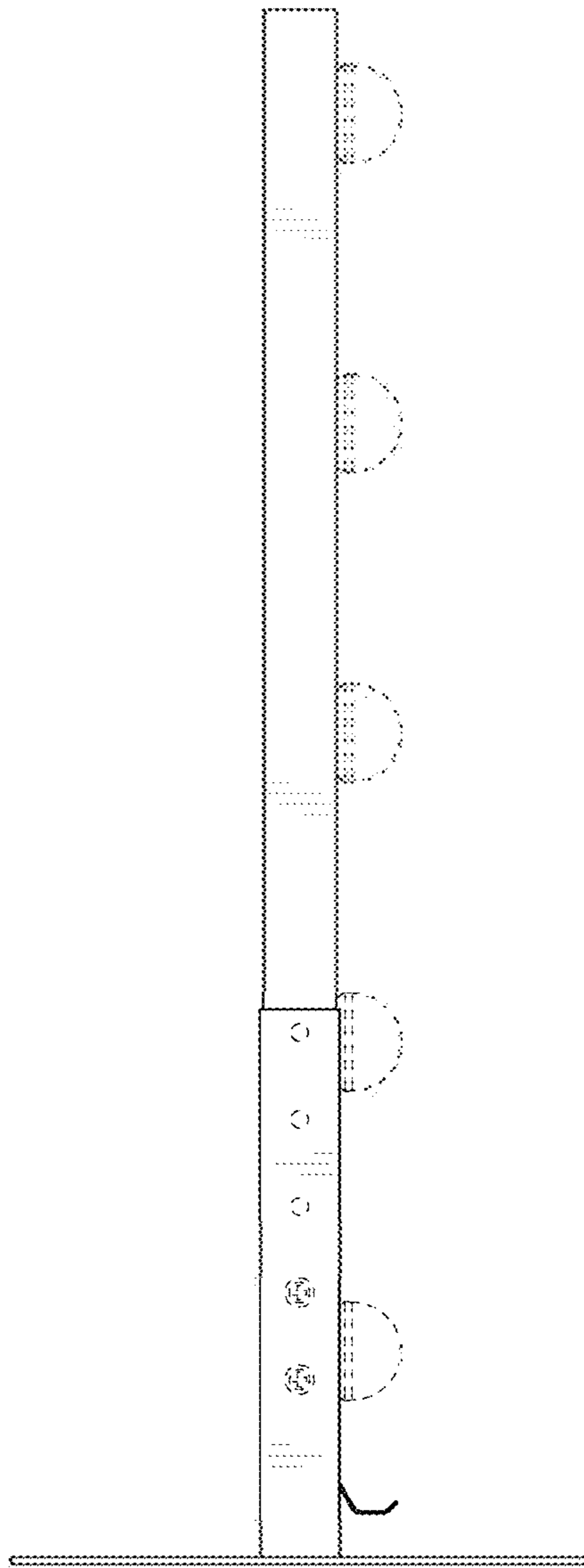


FIG. 4

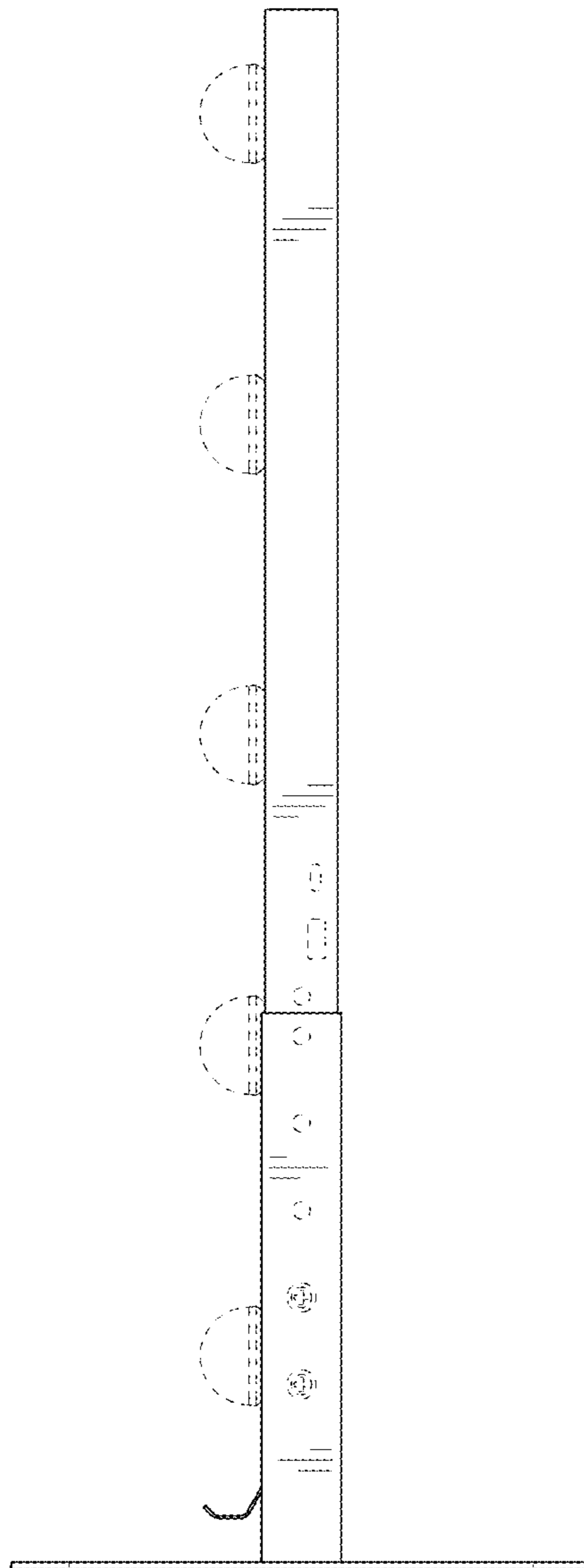


FIG. 5

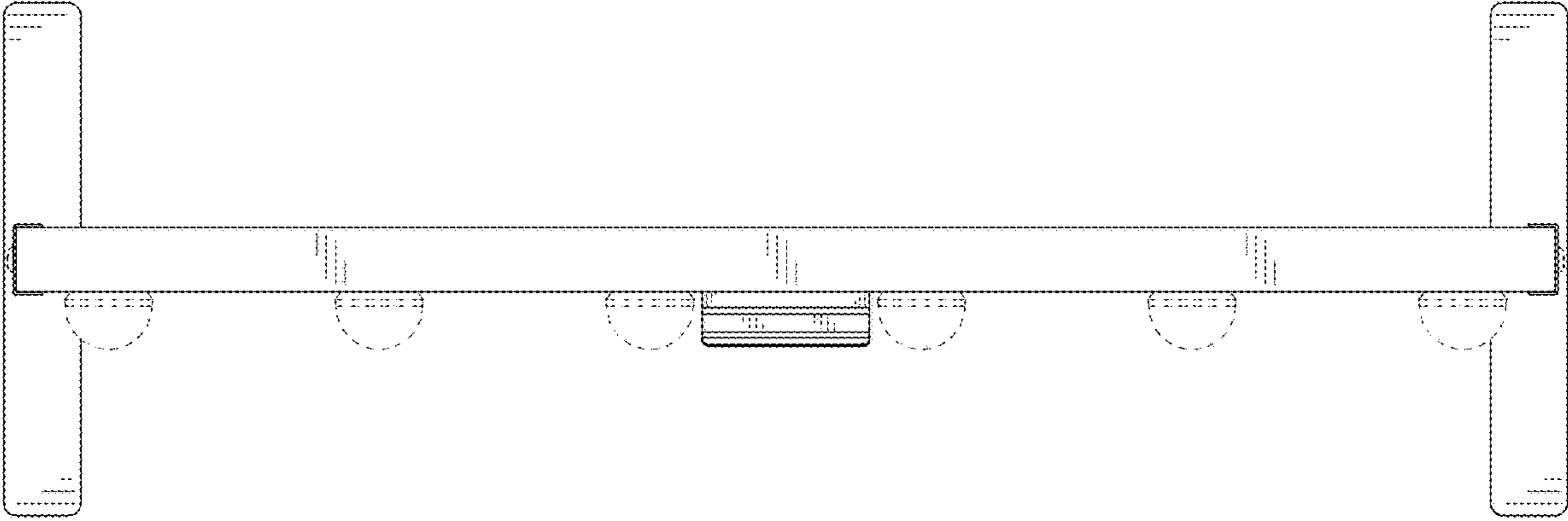


FIG. 6

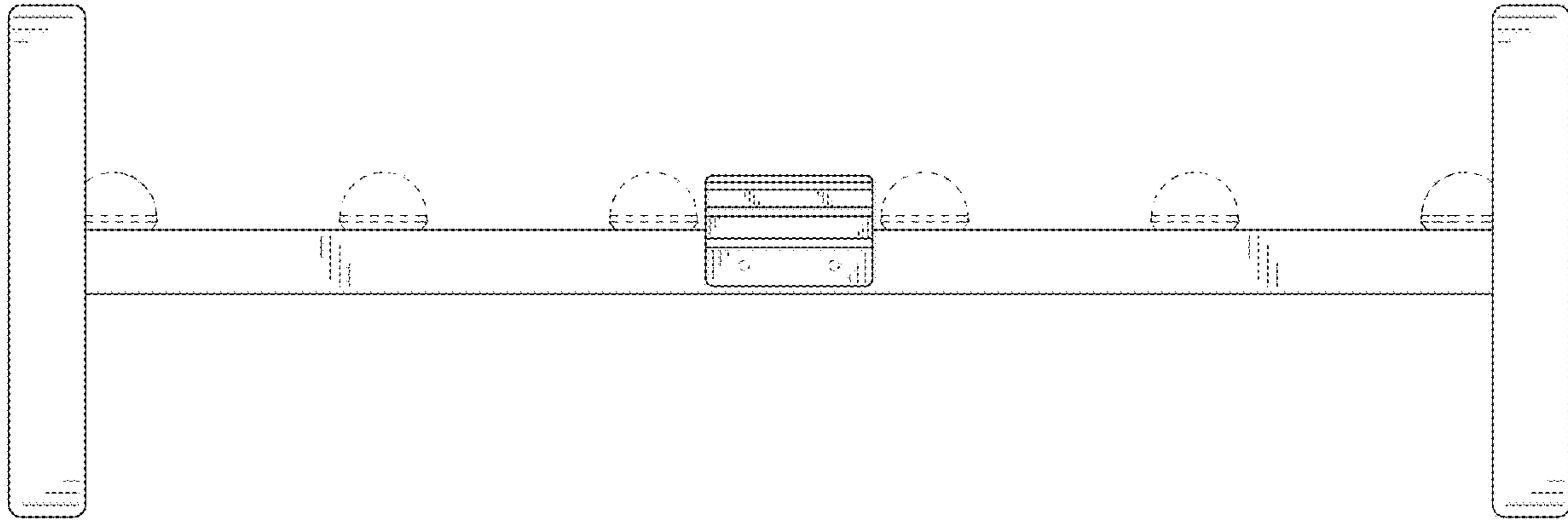


FIG. 7

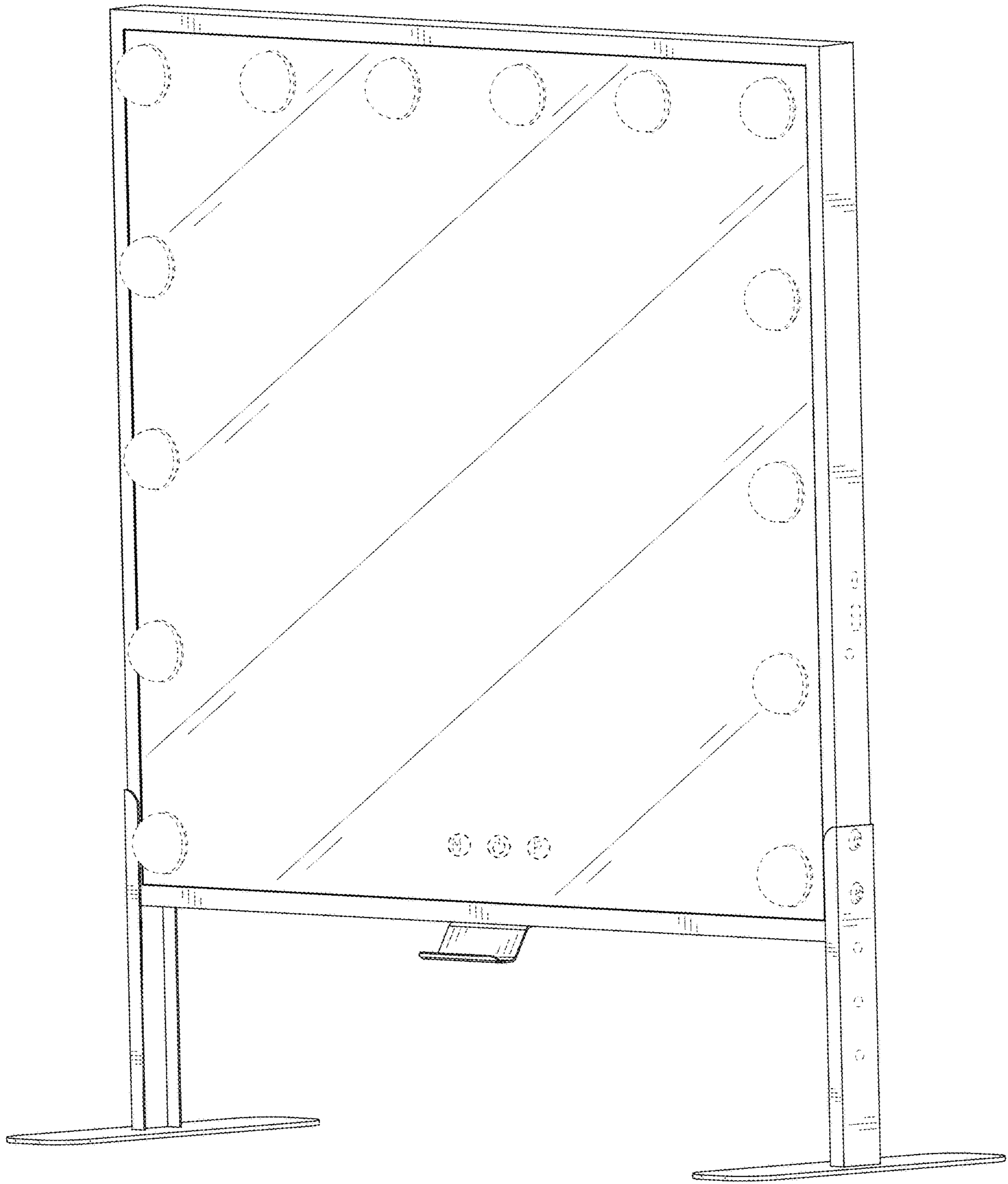


FIG. 8