



US00D955113S

(12) **United States Design Patent** (10) **Patent No.:** **US D955,113 S**
Barlier (45) **Date of Patent:** **** Jun. 21, 2022**

- (54) **BAG**
- (71) Applicant: **KeepCool USA LLC**, Orinda, CA (US)
- (72) Inventor: **Pierre Barlier**, Lafayette, CA (US)
- (73) Assignee: **KeepCool USA LLC**, Orinda, CA (US)
- (**) Term: **15 Years**
- (21) Appl. No.: **29/729,466**
- (22) Filed: **Mar. 26, 2020**

- D639,557 S * 6/2011 Damda D3/287
 - D648,532 S 11/2011 Sosnovsky
 - D655,579 S 3/2012 Hassman et al.
- (Continued)

OTHER PUBLICATIONS

Youtube, "Best Ways to Use Simple Ecology Deluxe Grocery Bags", Posted May 16, 2017. (<https://www.youtube.com/watch?v=5g4-Jk7aMt4>) (Year: 2017).*

(Continued)

Primary Examiner — April Rivas
 (74) *Attorney, Agent, or Firm* — Buchalter, a Professional corporation; Philip Nulud

Related U.S. Application Data

- (62) Division of application No. 29/661,163, filed on Aug. 24, 2018, now Pat. No. Des. 883,667.
- (51) **LOC (13) Cl.** **03-01**
- (52) **U.S. Cl.**
USPC **D3/318; D3/319**
- (58) **Field of Classification Search**
USPC D3/217, 273, 276, 285, 283, 289, 293,
D3/301, 303, 901, 902, 318, 319, 323,
D3/324, 284
CPC A45C 9/00; A45F 4/06
See application file for complete search history.

(57) **CLAIM**

The ornamental design for a bag, as shown and described.

DESCRIPTION

FIG. 1 is a front and left perspective view of a bag showing my new design;
 FIG. 2 is a front plan view of the bag illustrated in FIG. 1;
 FIG. 3 is a rear plan view of the bag illustrated in FIG. 1;
 FIG. 4 is a right side plan view of the bag illustrated in FIG. 1;
 FIG. 5 is a left side plan view of the bag illustrated in FIG. 1;
 FIG. 6 is a top plan view of the bag illustrated in FIG. 1;
 FIG. 7 is a bottom plan view of the bag illustrated in FIG. 1;
 FIG. 8 is a cross-section view of the bag illustrated in FIG. 1; and,
 FIG. 9 is a cross-section view of the bag illustrated in FIG. 1.

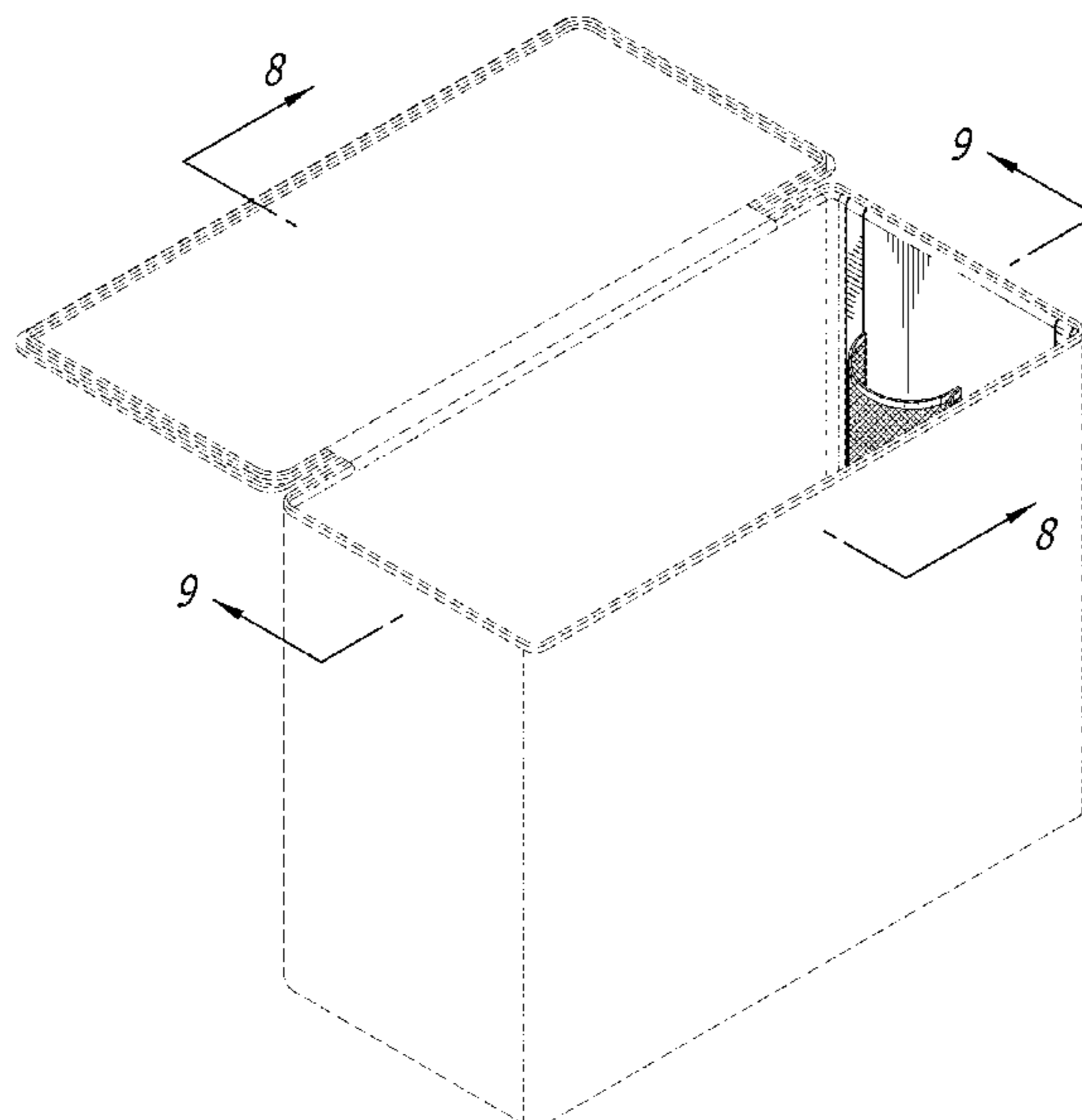
The dash-dash-dash-dash type broken lines shown in the drawings are included for the purpose of illustrating environmental structure and form no part of the claimed design.

(56) **References Cited**

U.S. PATENT DOCUMENTS

- D244,723 S 6/1977 Rabinowitz
- D349,191 S 8/1994 Mason
- D387,626 S 12/1997 Melk
- D447,340 S 9/2001 Snider
- D454,095 S * 3/2002 Ornelas D3/284
- D479,898 S 9/2003 Scola
- D502,599 S * 3/2005 Cabana D3/287
- D506,645 S 6/2005 Bellofatto, Jr. et al.
- D526,484 S * 8/2006 Flint D3/283
- D560,102 S 1/2008 Sumter
- 7,334,684 B1 2/2008 Fontanilla et al.

1 Claim, 9 Drawing Sheets



(56)

References Cited

U.S. PATENT DOCUMENTS

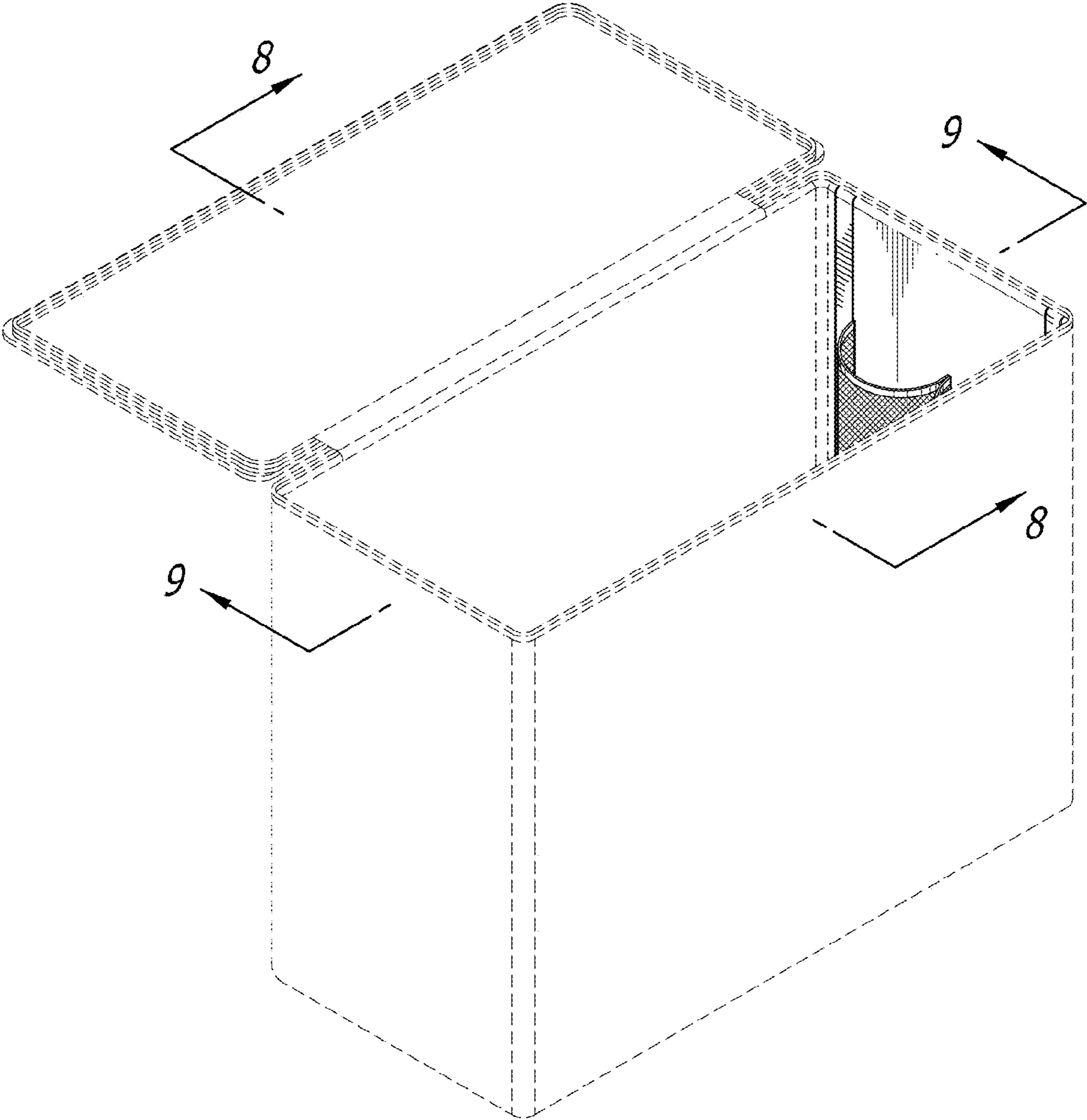
D695,523 S * 12/2013 Lynch D3/301
D710,105 S * 8/2014 Hondos D3/303
D720,135 S 12/2014 Leuty
D723,278 S 3/2015 Migem et al.
D732,294 S * 6/2015 Hu D3/319
D755,519 S 5/2016 Harrison
D755,522 S 5/2016 Rubio
D781,575 S * 3/2017 Etekochay D3/217
D785,335 S * 5/2017 Halliday D3/319
D799,823 S 10/2017 Schartle
D833,140 S * 11/2018 Oliver D3/217
D845,625 S 4/2019 Barlier
D845,628 S 4/2019 Hollinger
D883,666 S * 5/2020 Kim D3/276
D883,667 S * 5/2020 Barlier D3/285
D900,477 S * 11/2020 Huang D3/319
D910,310 S * 2/2021 Mason D3/303
D910,311 S * 2/2021 Howington D3/303
D921,356 S * 6/2021 Cowan D3/217
D932,775 S * 10/2021 Imsand D3/319
2010/0014785 A1 1/2010 Deck
2010/0018241 A1 1/2010 McCoy et al.

OTHER PUBLICATIONS

Sears, "AplusBuy Aquaterior 8 Pocket Shower Caddy Mesh Tote Bag . . . ", First reviewed Mar. 23, 2017. (<https://www.sears.com/aplusbuy-portable-shower-caddy-mesh-8-pocket-quick/p-SPM13443339724>) (Year: 2017).*

* cited by examiner

FIG. 1



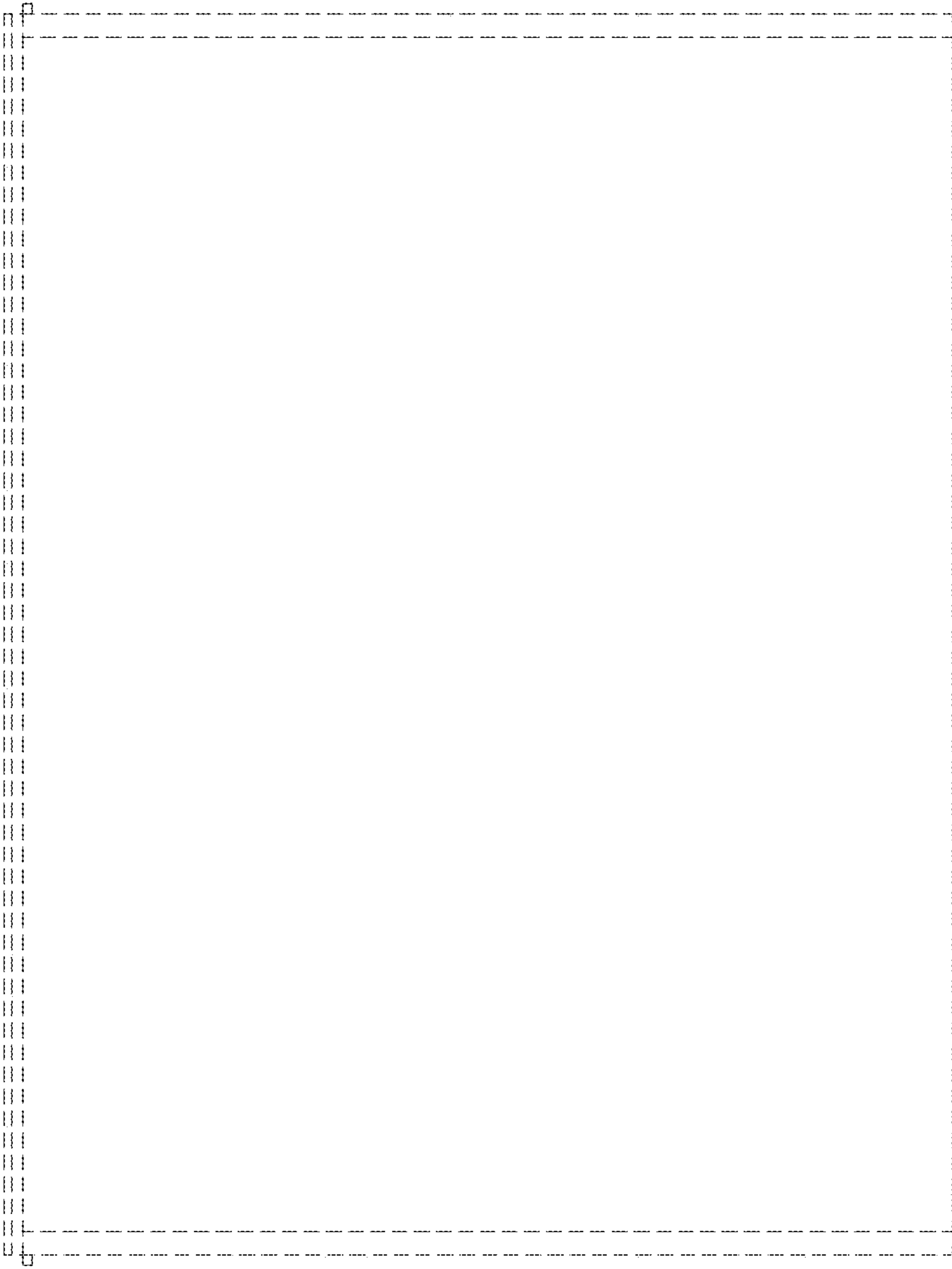
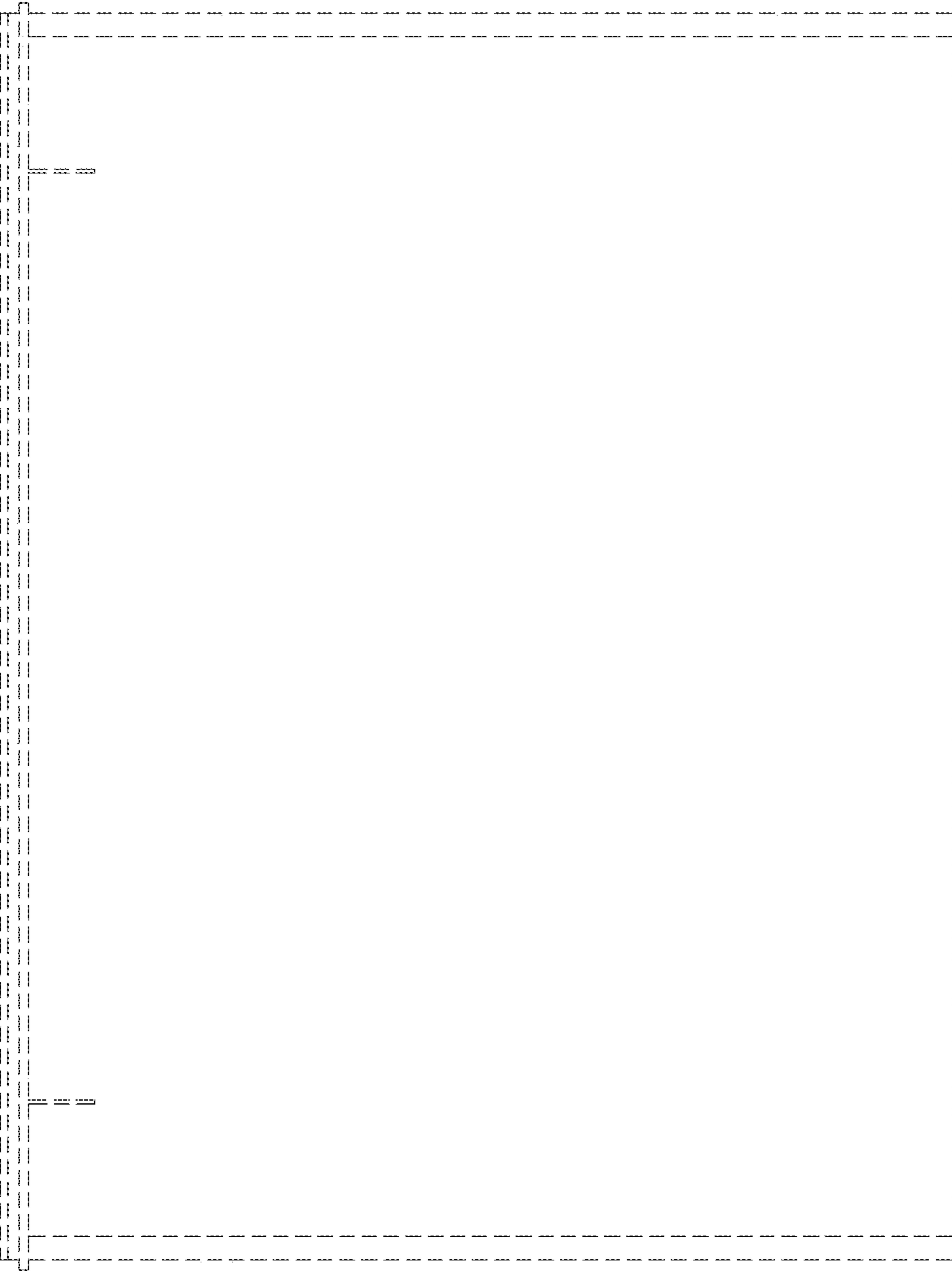


FIG. 2

FIG. 3



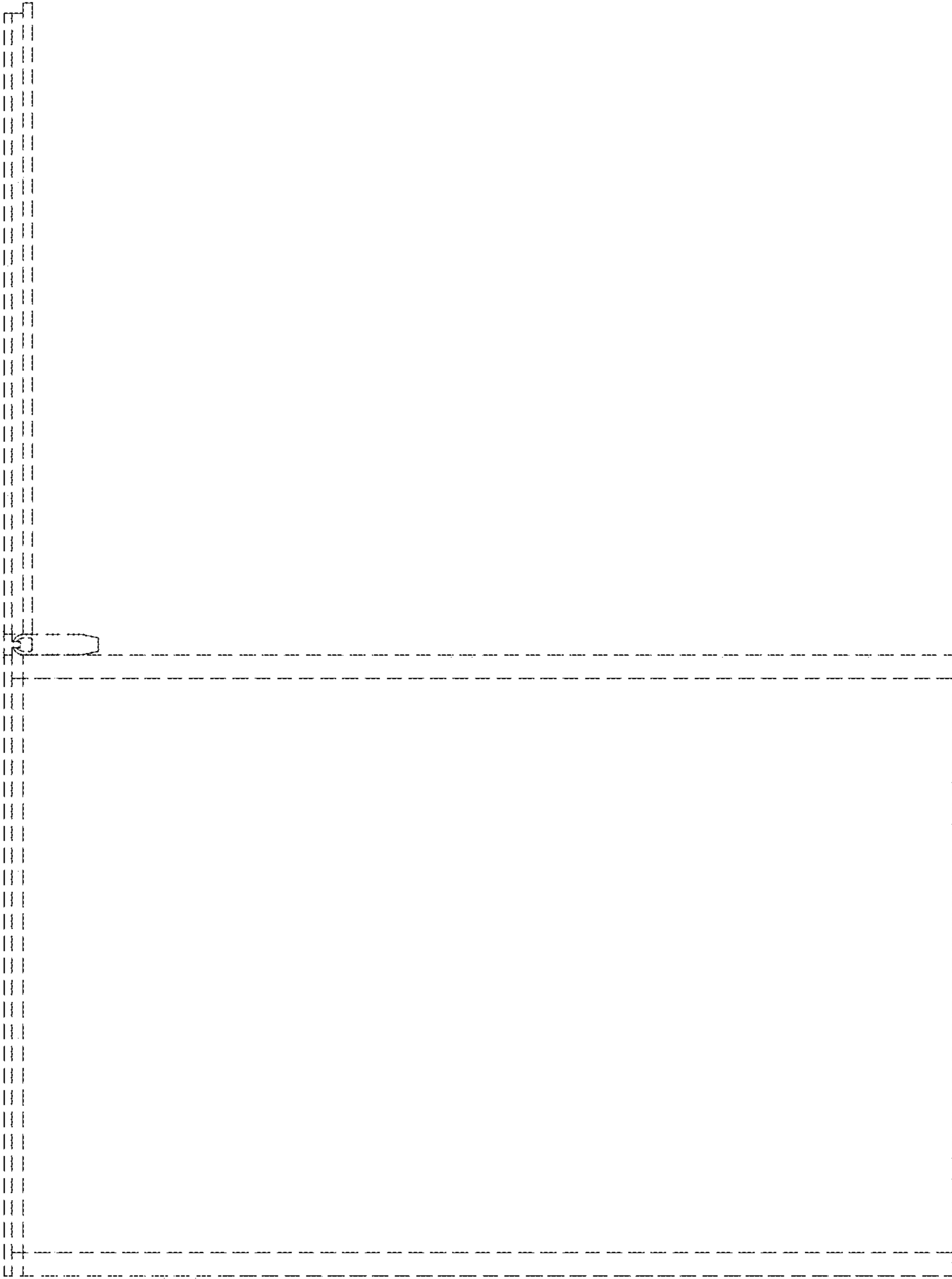


FIG. 4

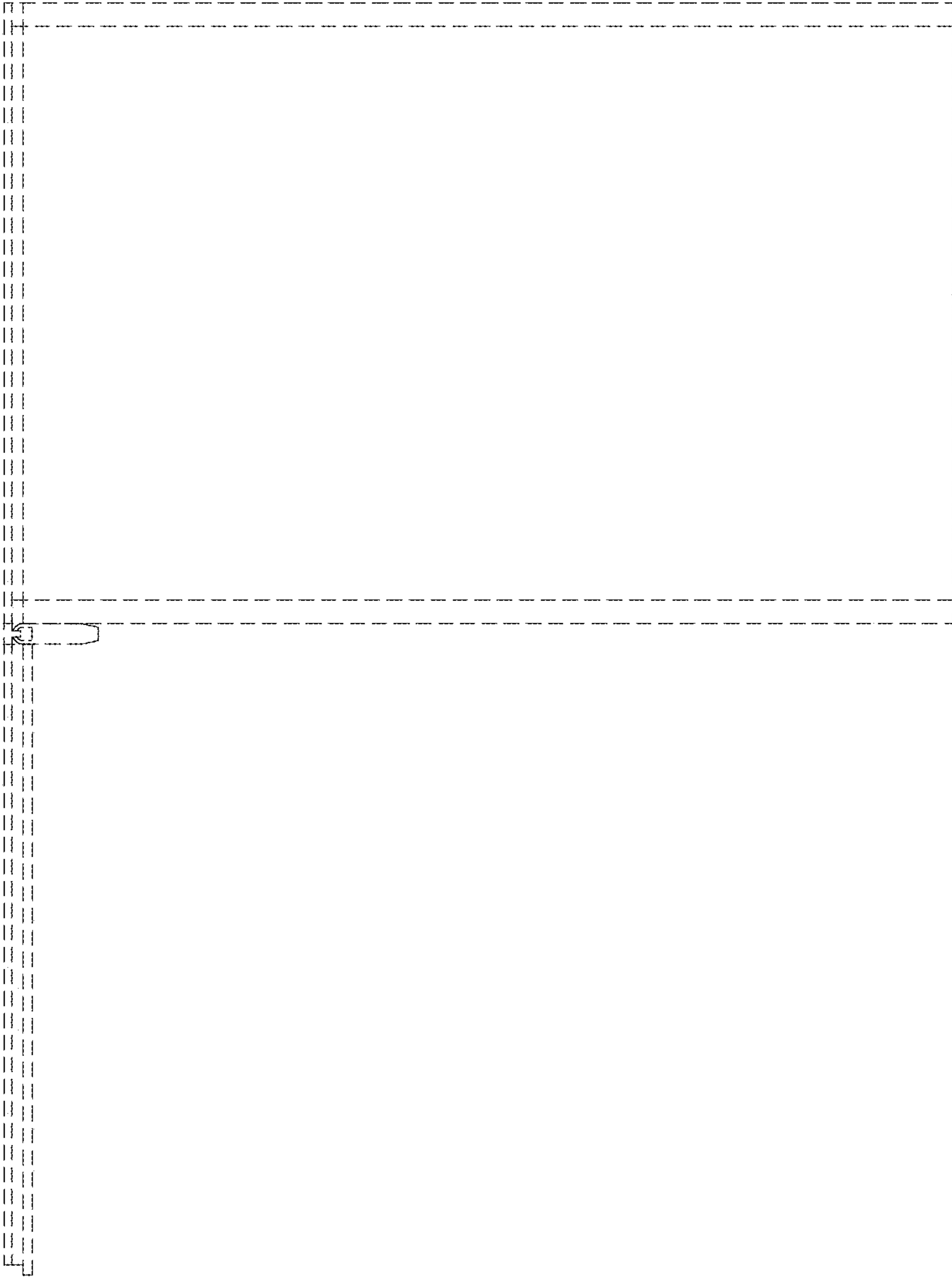


FIG. 5

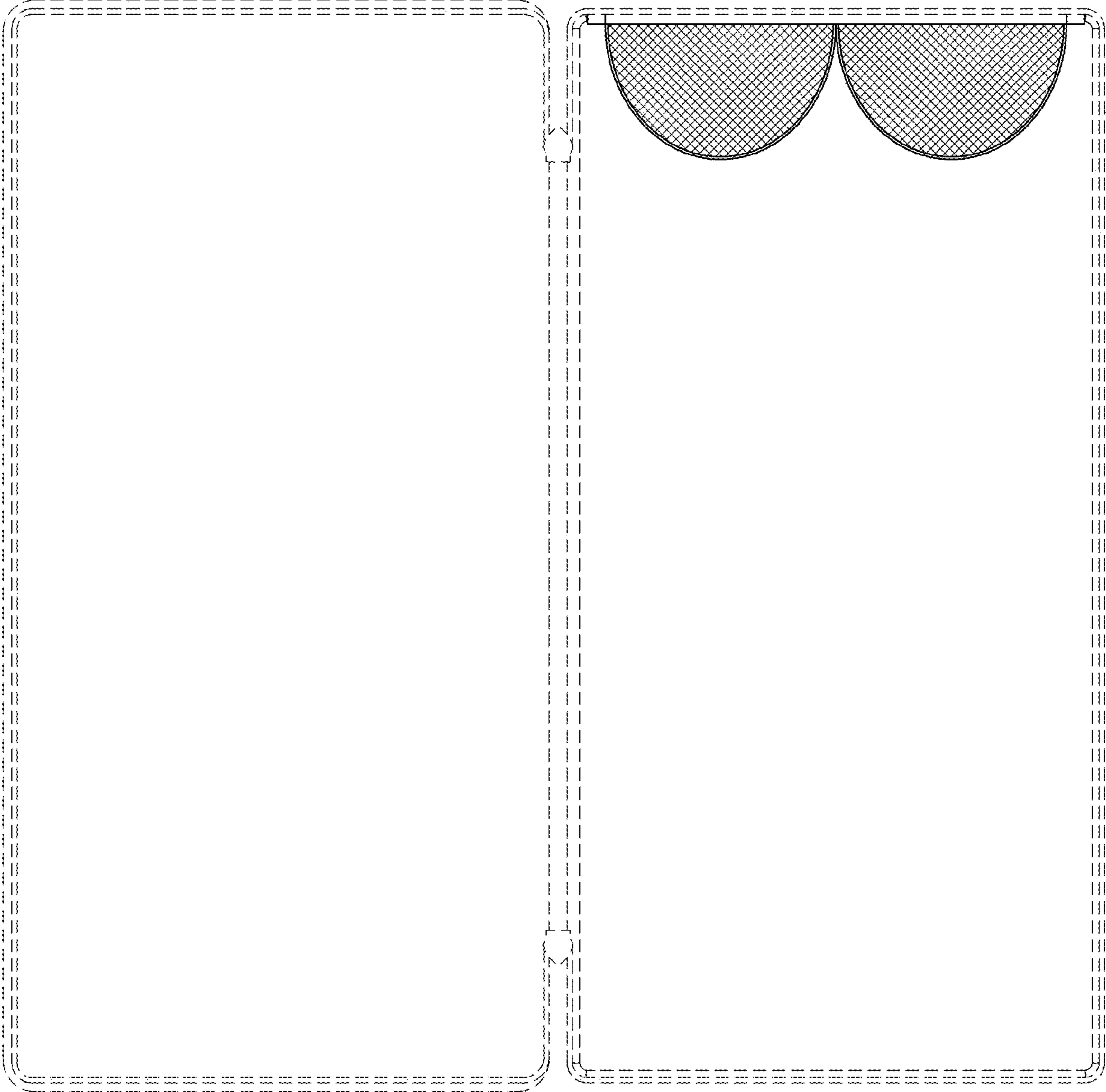


FIG. 6

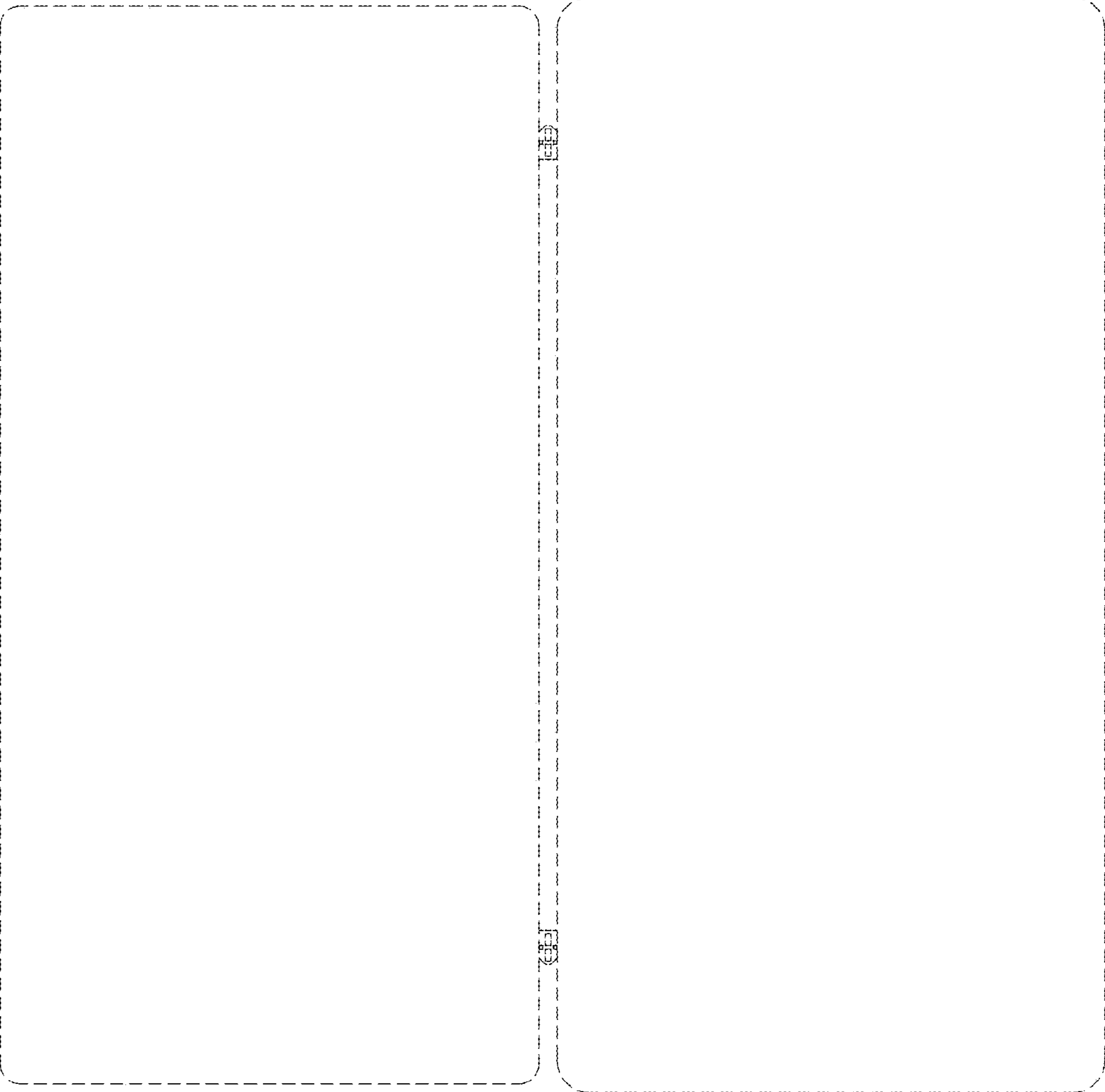


FIG. 7

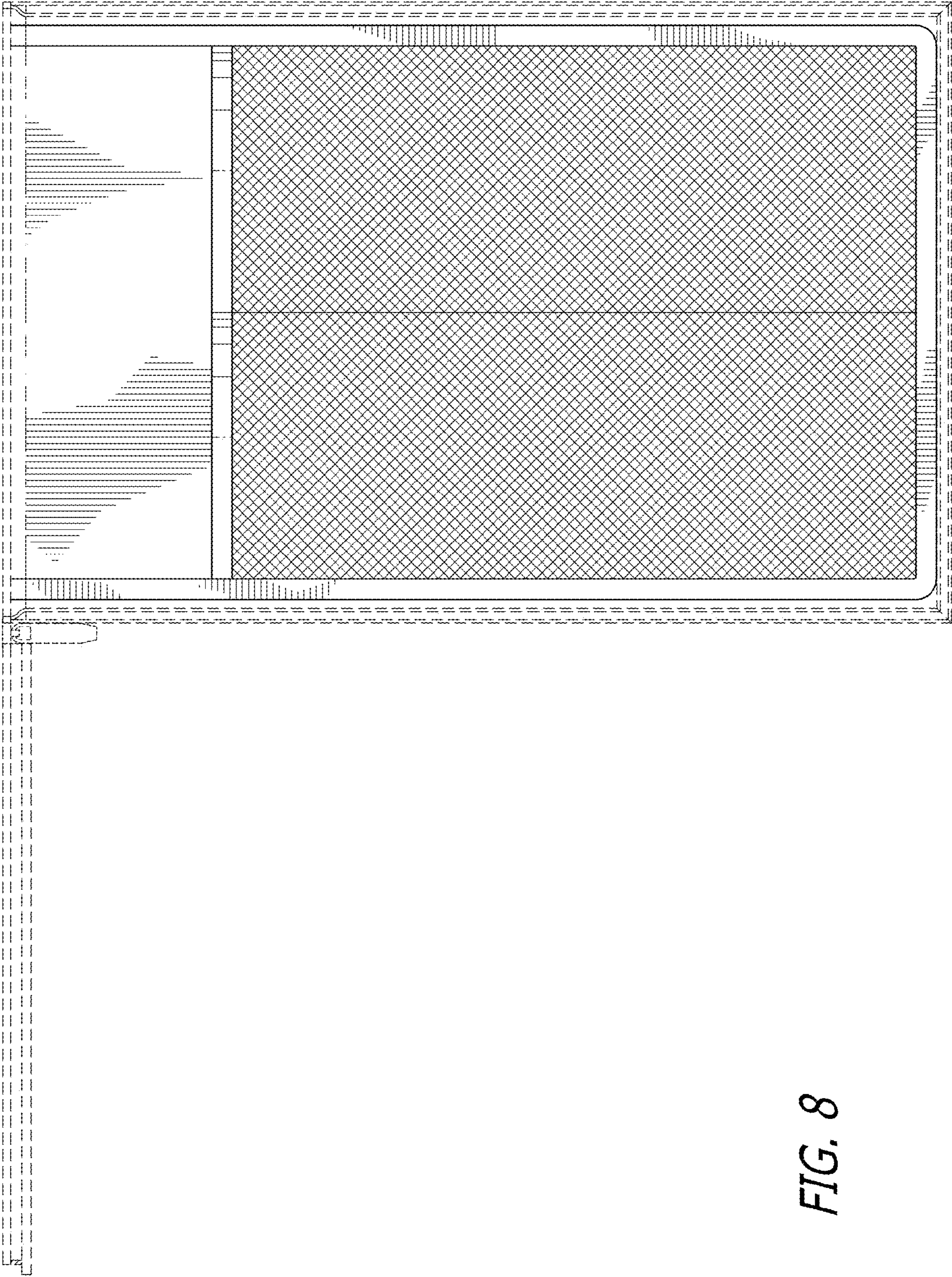


FIG. 8

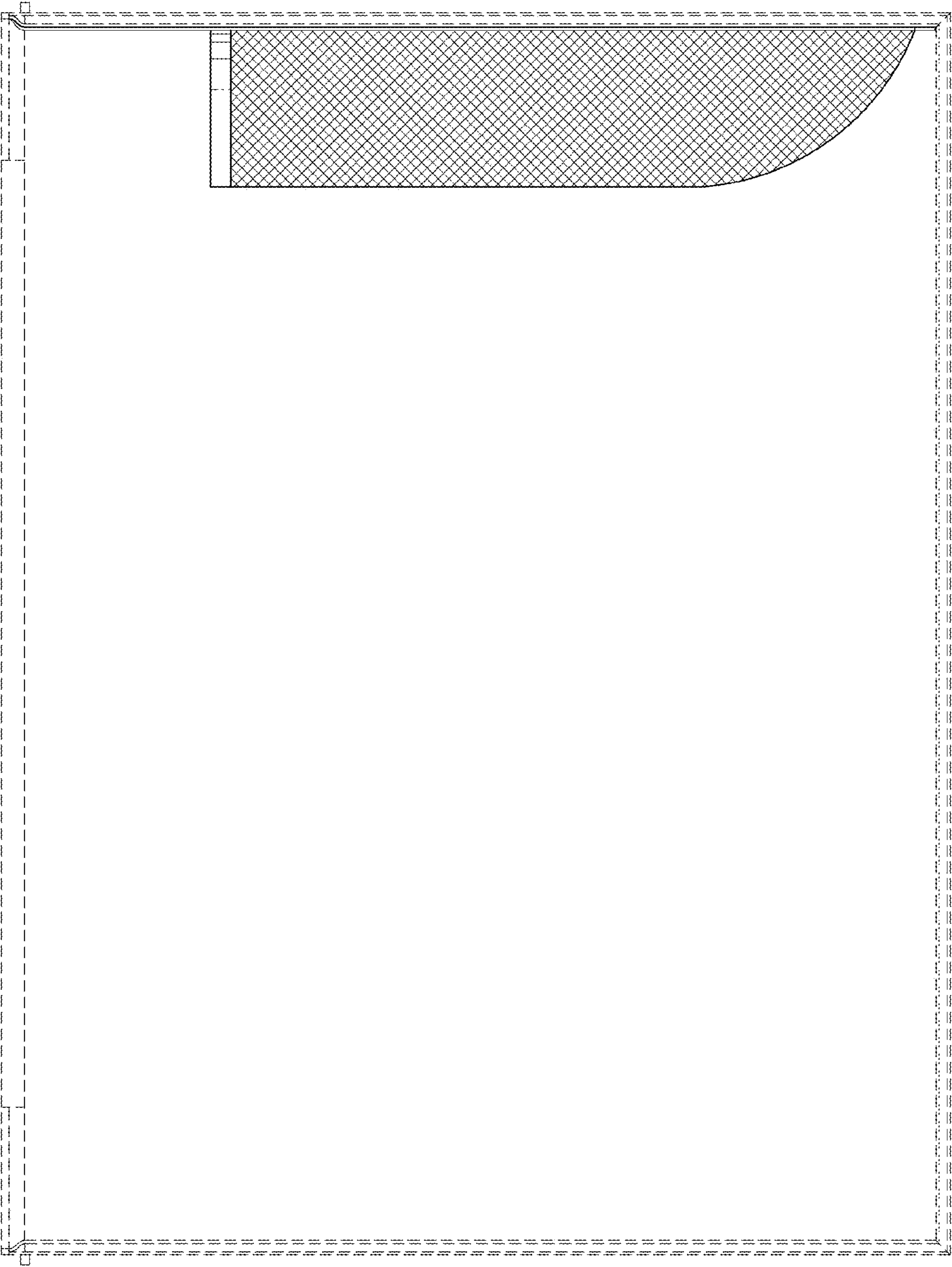


FIG. 9