



US00D955109S

(12) **United States Design Patent** (10) **Patent No.:** **US D955,109 S**
Feng (45) **Date of Patent:** **** Jun. 21, 2022**

(54) **SUITCASE**

(71) Applicant: **Tan Feng**, Jiaxing (CN)

(72) Inventor: **Tan Feng**, Jiaxing (CN)

(**) Term: **15 Years**

(21) Appl. No.: **29/775,533**

(22) Filed: **Mar. 24, 2021**

(30) **Foreign Application Priority Data**

Oct. 12, 2020 (CN) 202030604101.6

(51) **LOC (13) Cl.** **03-01**

(52) **U.S. Cl.**
USPC **D3/279**

(58) **Field of Classification Search**
USPC D3/274, 279, 285, 289, 900, 902
CPC .. A45C 5/00; A45C 5/14; A45C 5/146; A45C
2009/002
See application file for complete search history.

(56) **References Cited**

U.S. PATENT DOCUMENTS

D428,698 S * 8/2000 Cheng D3/276
D438,005 S * 2/2001 Tiramani D3/273
D730,050 S * 5/2015 Hogan D3/289
D784,017 S * 4/2017 Hsieh D3/279
D873,009 S 1/2020 Mahanavanont
D873,024 S 1/2020 Usui
D909,751 S * 2/2021 Sticca D3/279

D920,666 S * 6/2021 Lederer D3/279
D938,724 S * 12/2021 Lin D3/279
2017/0119117 A1 * 5/2017 Clarke A45C 9/00
2020/0305567 A1 * 10/2020 Lo A45C 9/00
2020/0352298 A1 * 11/2020 Ruyter A45C 13/02
2021/0076791 A1 * 3/2021 DeVeaux A45C 9/00

FOREIGN PATENT DOCUMENTS

CN 111358140 * 7/2020 A45C 2009/002

* cited by examiner

Primary Examiner — April Rivas

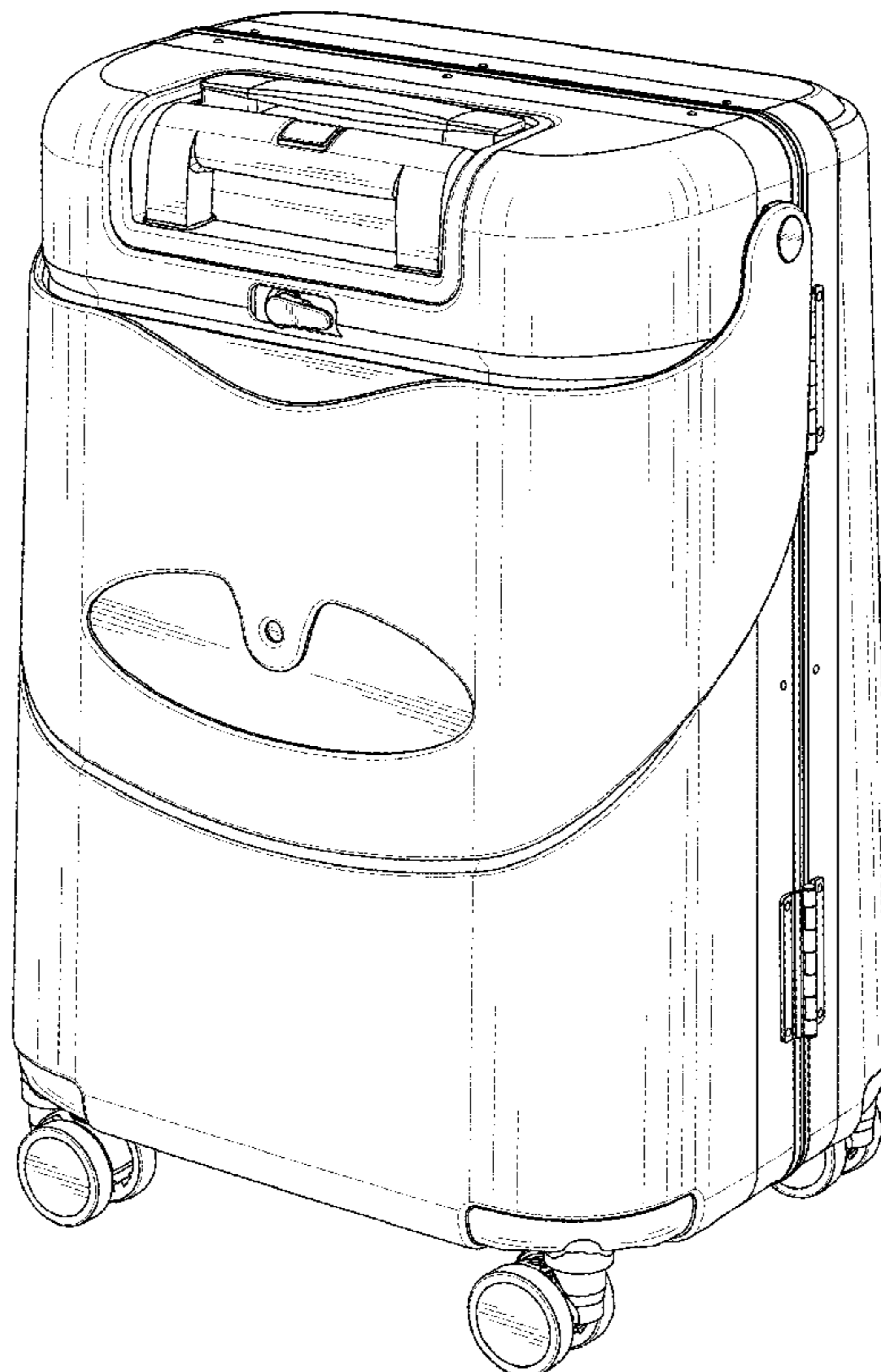
(57) **CLAIM**

The ornamental design for a suitcase, as shown and described.

DESCRIPTION

FIG. 1 is a front perspective view of a suitcase showing my new design;
FIG. 2 is a front view thereof;
FIG. 3 is a rear view thereof;
FIG. 4 is a left side view thereof;
FIG. 5 is a right side view thereof;
FIG. 6 is a top plan view thereof;
FIG. 7 is a bottom plan view thereof; and,
FIG. 8 is a left side view thereof in its open state.
The broken lines in the figures illustrate portions of the suitcase that form no part of the claimed design.

1 Claim, 8 Drawing Sheets



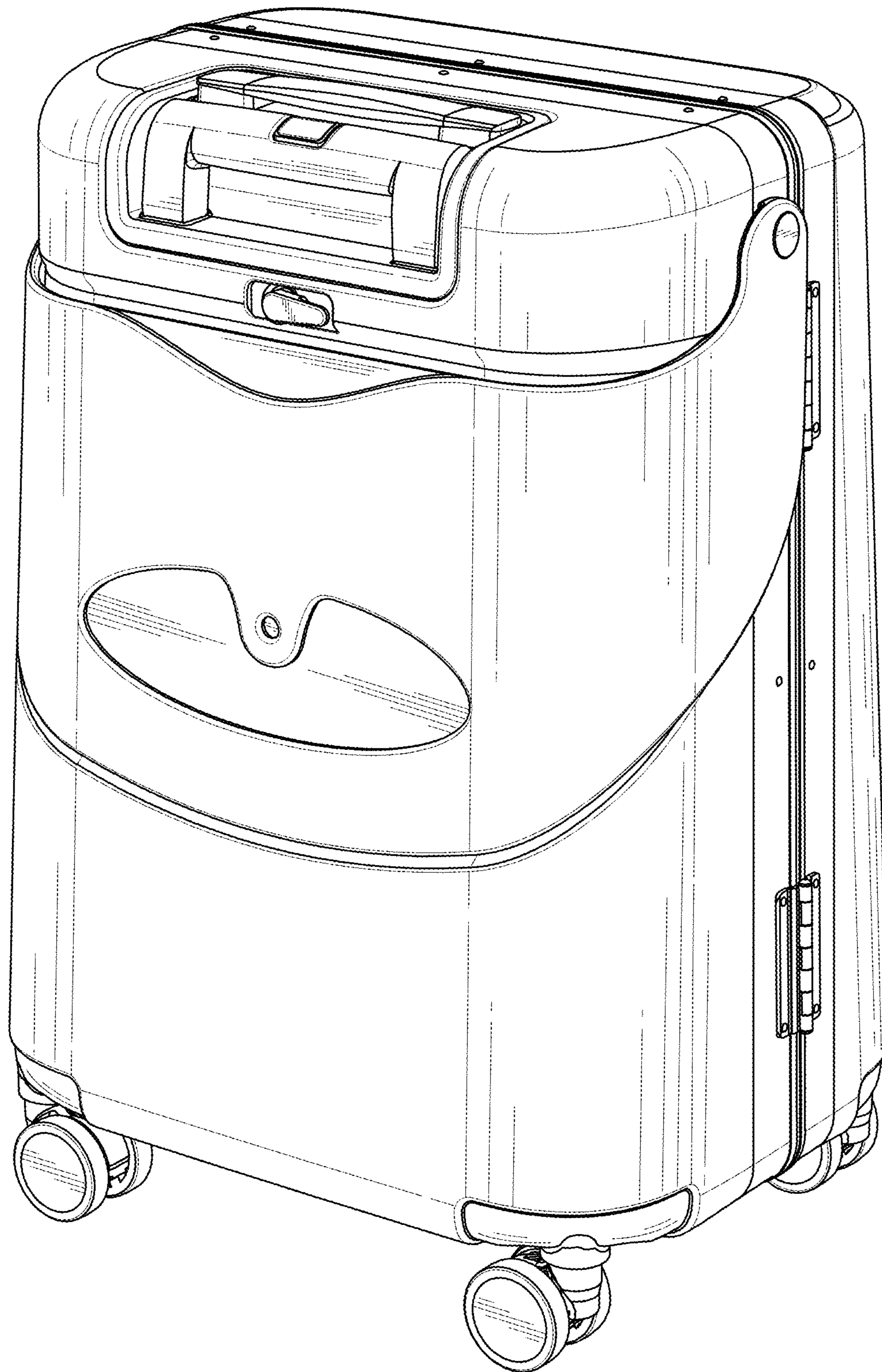


FIG. 1

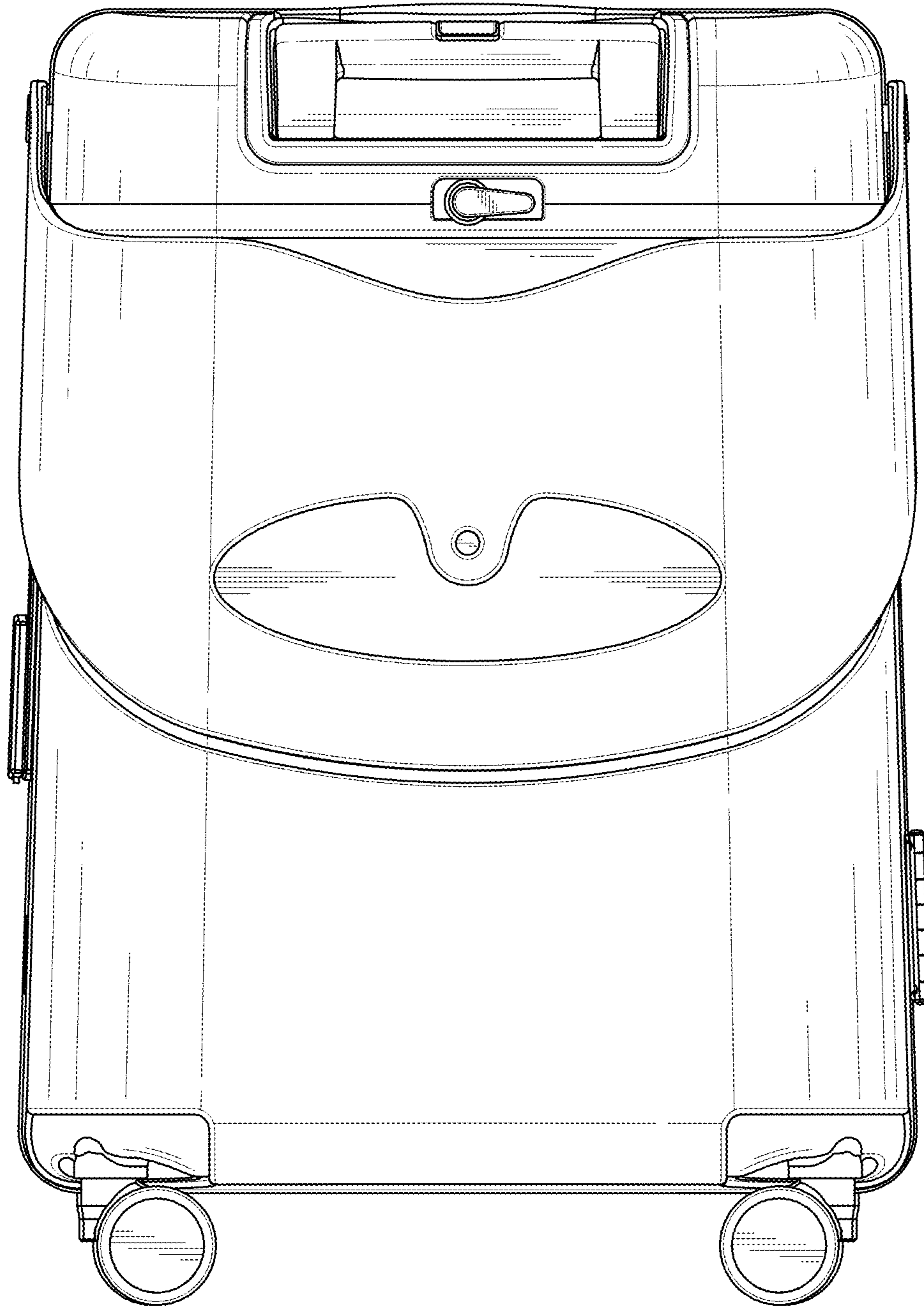


FIG. 2

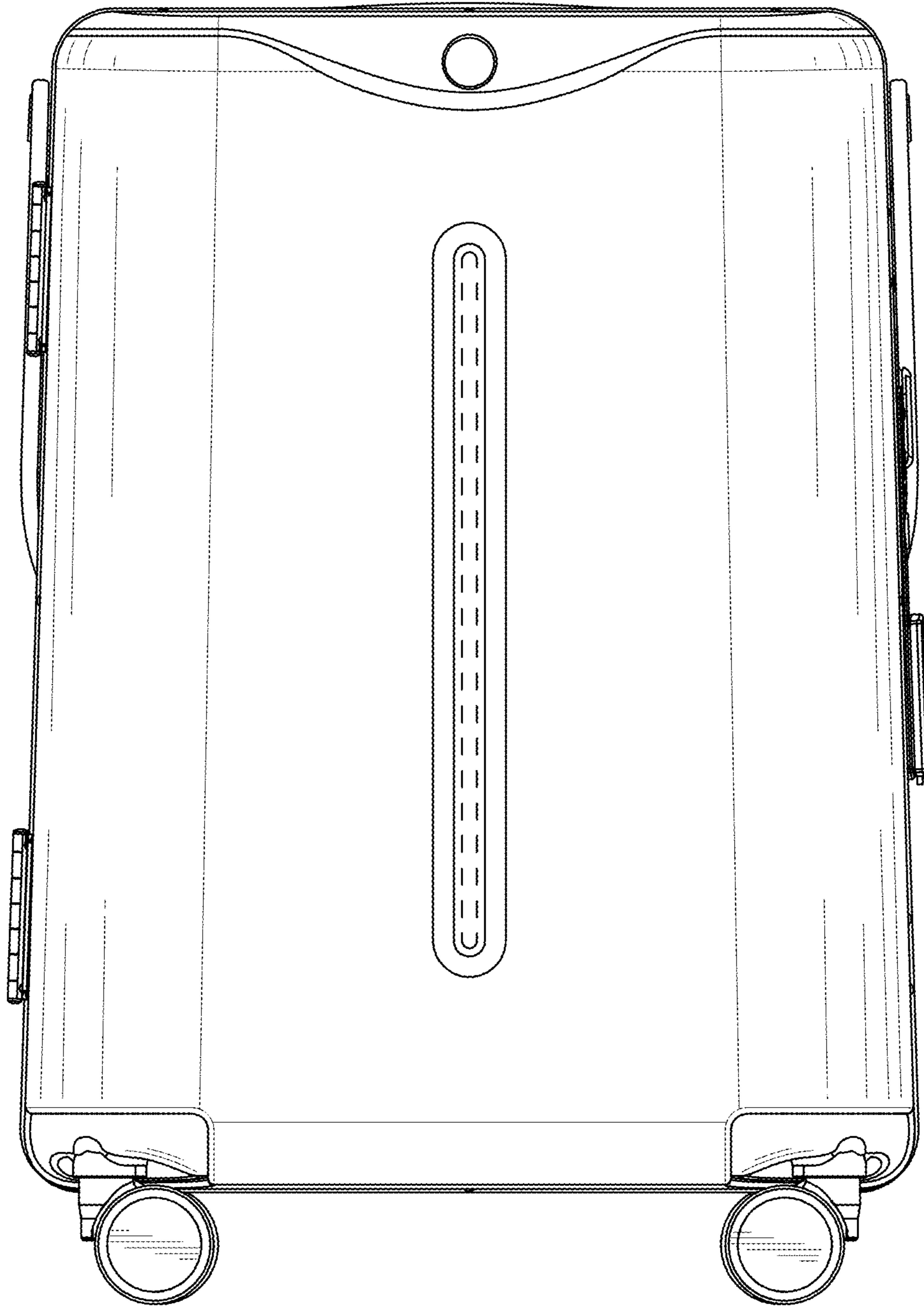


FIG. 3

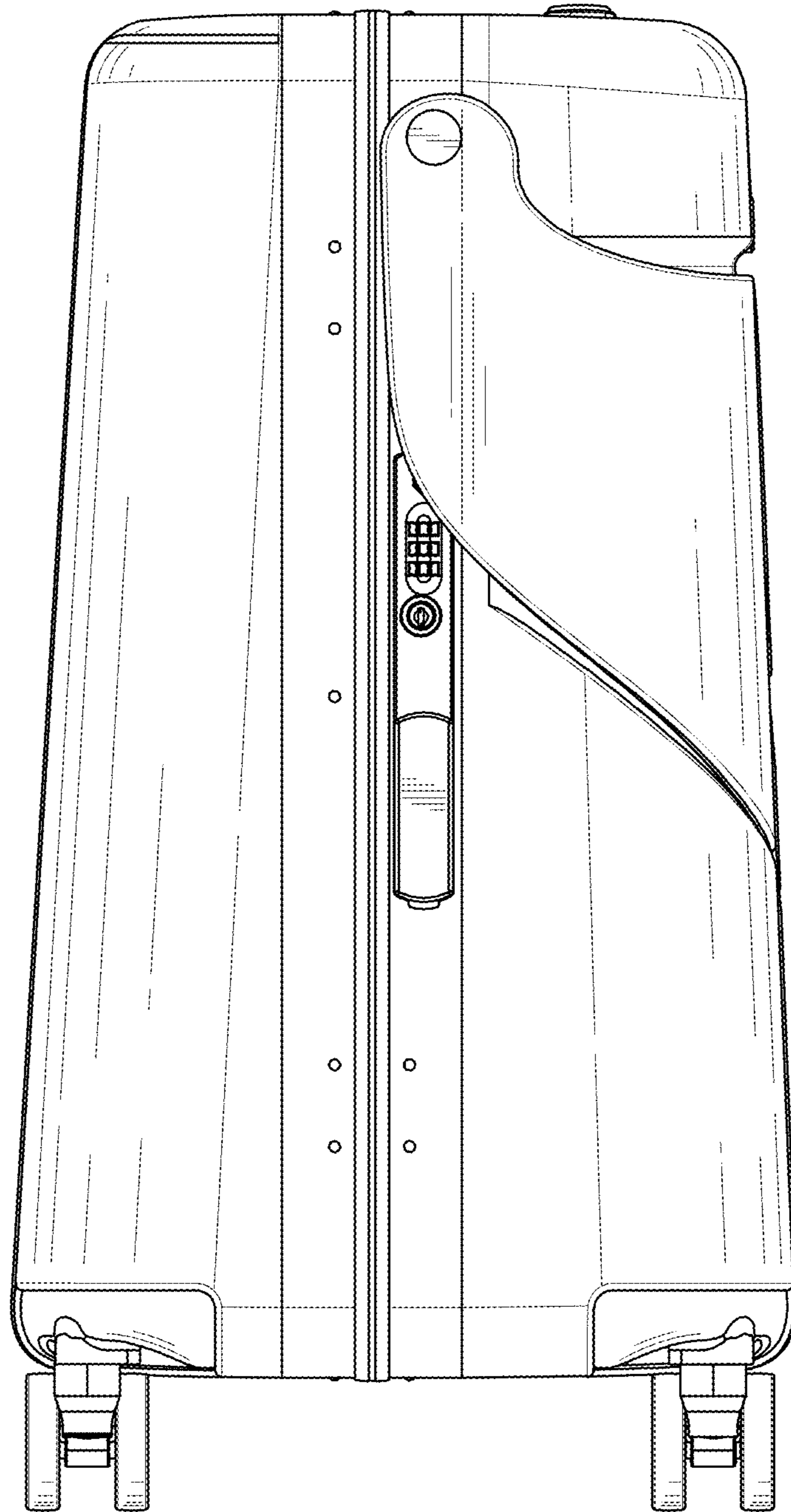


FIG. 4

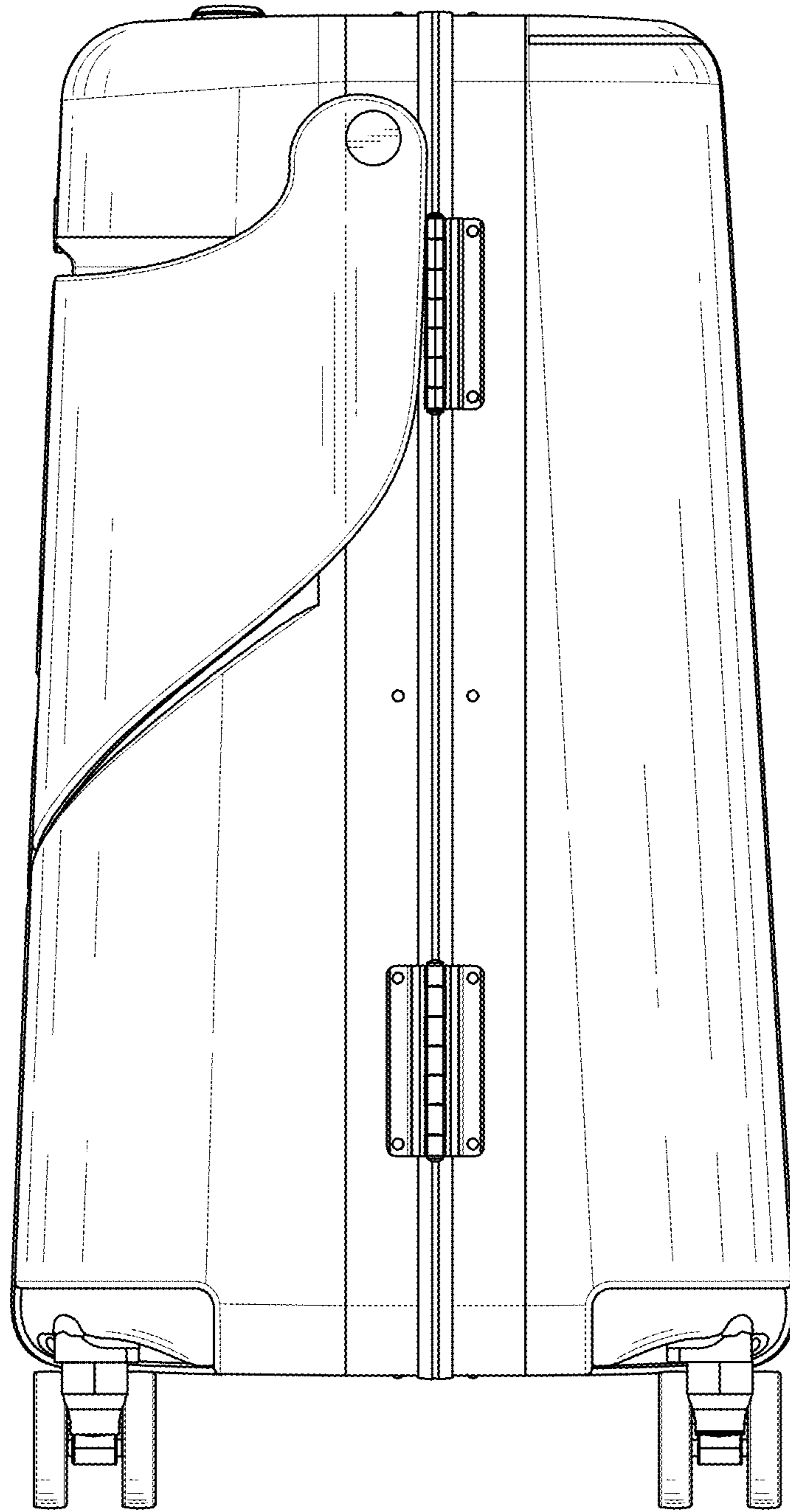


FIG. 5

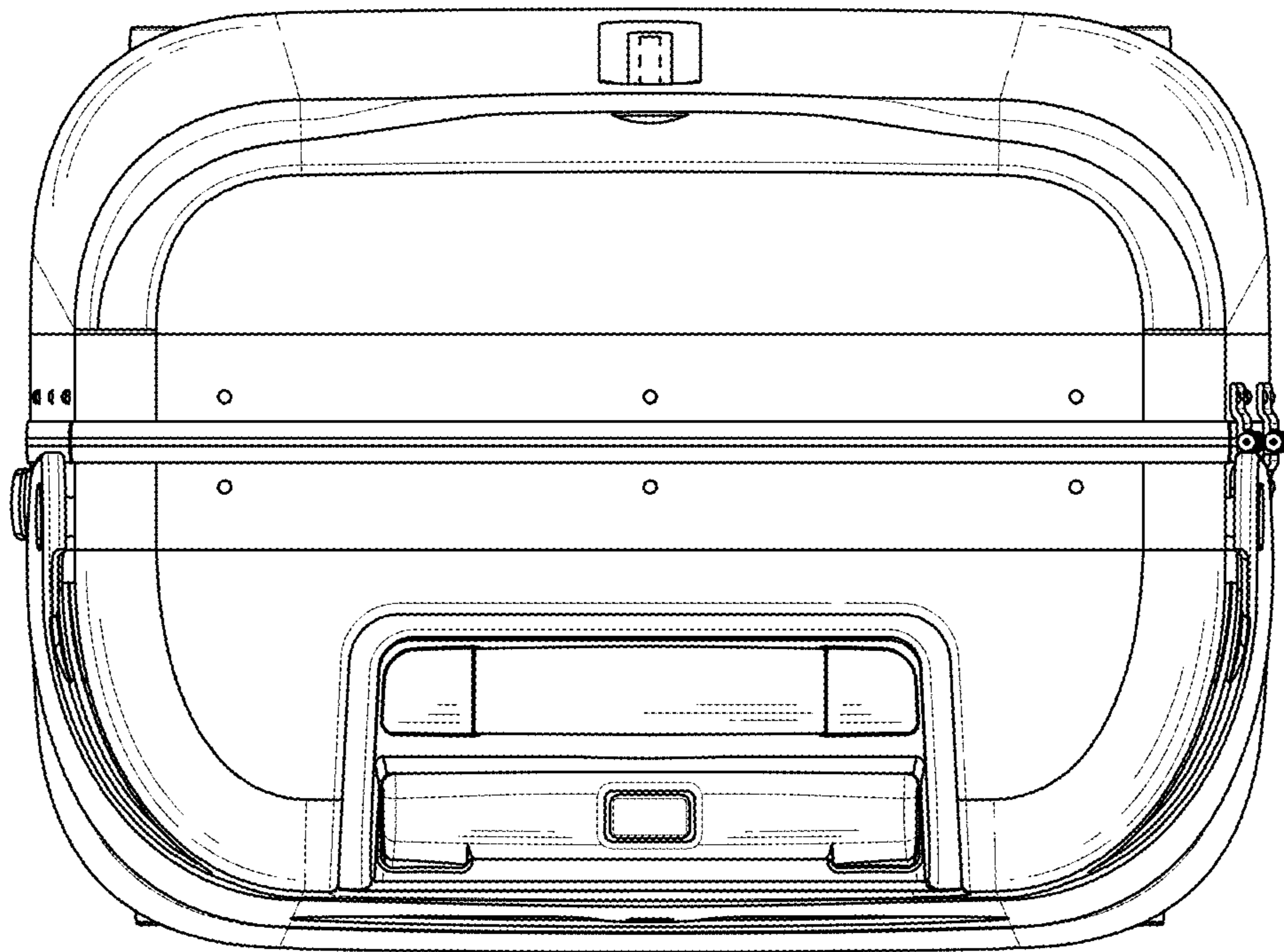


FIG. 6

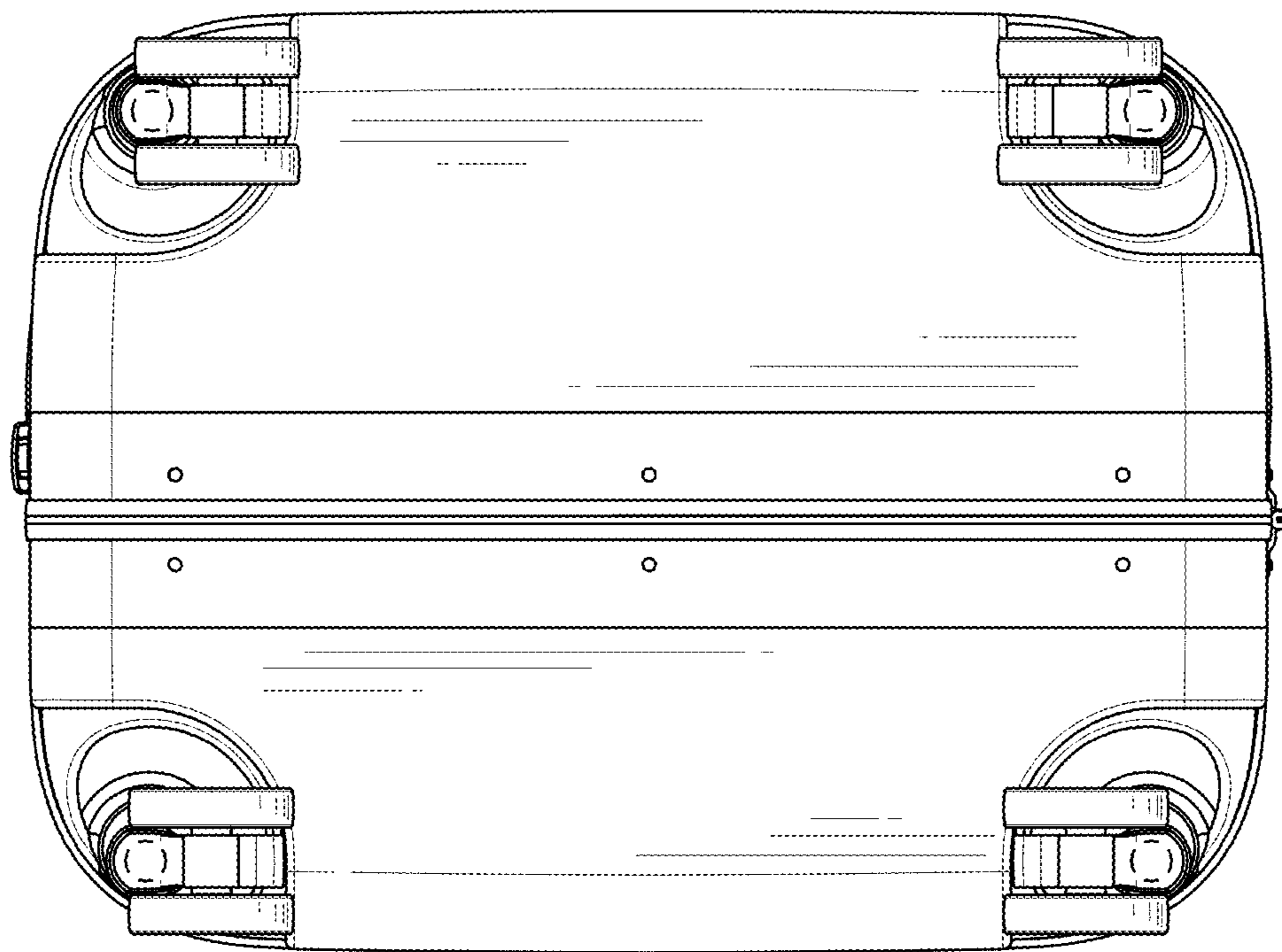


FIG. 7

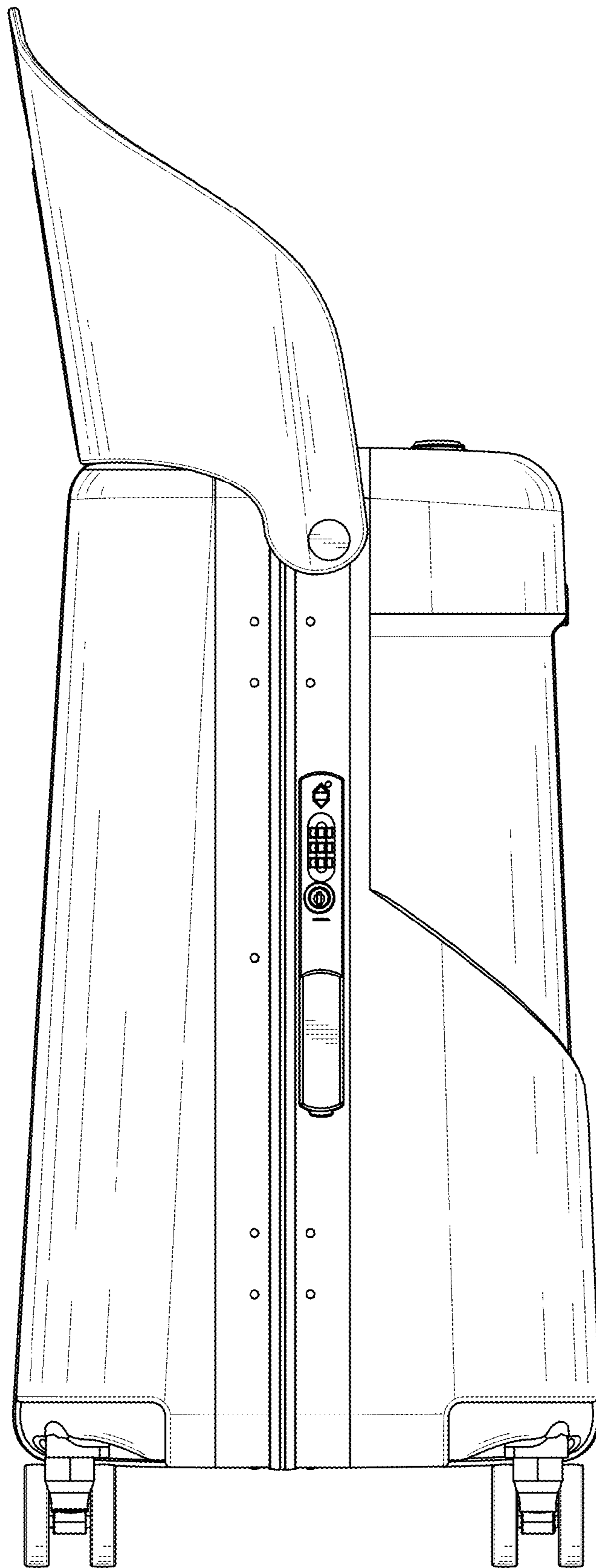


FIG. 8