



US00D955108S

(12) **United States Design Patent** (10) **Patent No.:** **US D955,108 S**  
**Cui** (45) **Date of Patent:** **\*\* Jun. 21, 2022**

(54) **STORAGE MAT BAG WITH CAP AND TWO HANDLES**

D822,384 S \* 7/2018 Limber ..... D3/276  
D848,737 S \* 5/2019 Heroux ..... D3/285  
D888,427 S \* 6/2020 Laskas ..... D3/303  
11,033,127 B2 \* 6/2021 Floyd-Vester ..... A45C 9/00

(71) Applicant: **Jinzhu Cui**, Dongguan (CN)

(72) Inventor: **Jinzhu Cui**, Dongguan (CN)

(\*\*) Term: **15 Years**

(21) Appl. No.: **29/685,567**

(22) Filed: **Mar. 29, 2019**

(51) **LOC (13) Cl.** ..... **03-01**

(52) **U.S. Cl.**

USPC ..... **D3/276; D3/290; D3/315**

(58) **Field of Classification Search**

USPC ..... D3/227, 273, 276, 277, 284, 285, 289,  
D3/305, 303, 307, 309, 311, 314, 319,  
D3/315

CPC ..... A45C 2007/0004; A45C 2007/0013

See application file for complete search history.

(56) **References Cited**

**U.S. PATENT DOCUMENTS**

D462,521 S \* 9/2002 Margo ..... D3/303  
D469,608 S \* 2/2003 Nevins ..... D3/300  
D523,636 S \* 6/2006 Wilpink ..... D3/303  
D632,208 S \* 2/2011 Hayes ..... D11/143  
D641,170 S \* 7/2011 Thompson ..... D3/319  
D732,825 S \* 6/2015 Moreau ..... D3/303  
9,167,874 B2 \* 10/2015 Schlafer ..... A45C 9/00  
9,480,317 B2 \* 11/2016 Rothschild ..... A45C 15/00  
9,826,818 B1 \* 11/2017 Simpson-Klein ..... A45C 13/30

**OTHER PUBLICATIONS**

Amazon.co.uk, "SUMBABO Toy Storage Bag and Play Mat Bag for Kids . . . ", First on sale Apr. 11, 2019. (<https://www.amazon.co.uk/dp/B07QN2D8RP/>) (Year: 2019).\*

Amazon.co.uk, "Toy Bag and Toy Storage Mat Bag for Lego . . . ", First on sale Jun. 11, 2019. (<https://www.amazon.co.uk/Sumbabo-Toy-Storage-Drawstring-Children/dp/B07QJ8HWS/>) (Year: 2019).\*

\* cited by examiner

*Primary Examiner* — April Rivas

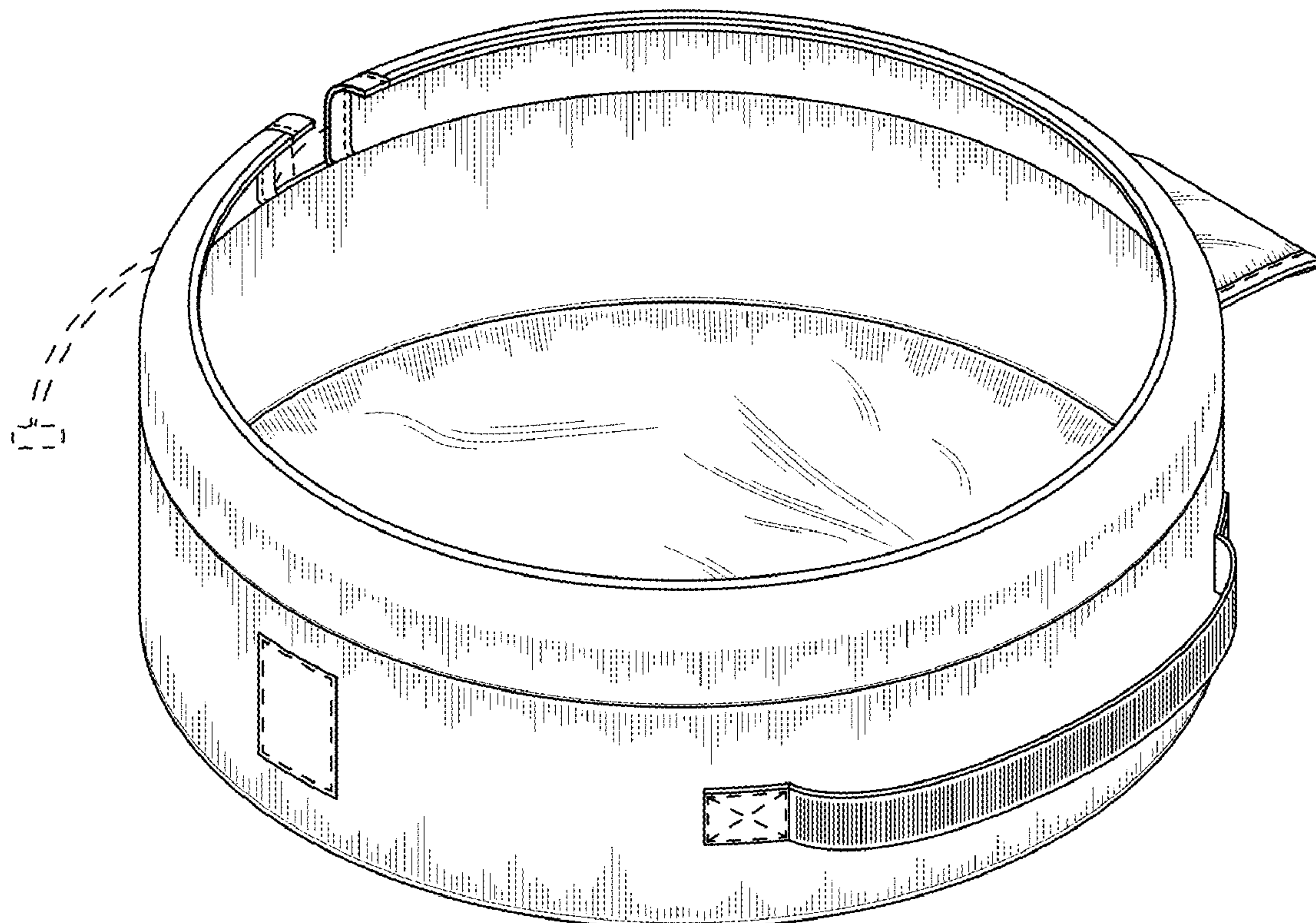
(57) **CLAIM**

The ornamental design for a storage mat bag with cap and two handles, as shown and described.

**DESCRIPTION**

FIG. 1 is a perspective view of a storage mat bag with cap and two handles showing my new design;  
FIG. 2 is a front view thereof;  
FIG. 3 is a rear view thereof;  
FIG. 4 is a left side view thereof;  
FIG. 5 is a right side view thereof;  
FIG. 6 is a top plan view thereof; and,  
FIG. 7 is a bottom plan view thereof.  
The broken lines in the figures are for the purposes of illustrating portions of the storage mat bag with cap and two handles that form no part of the claimed design.

**1 Claim, 7 Drawing Sheets**



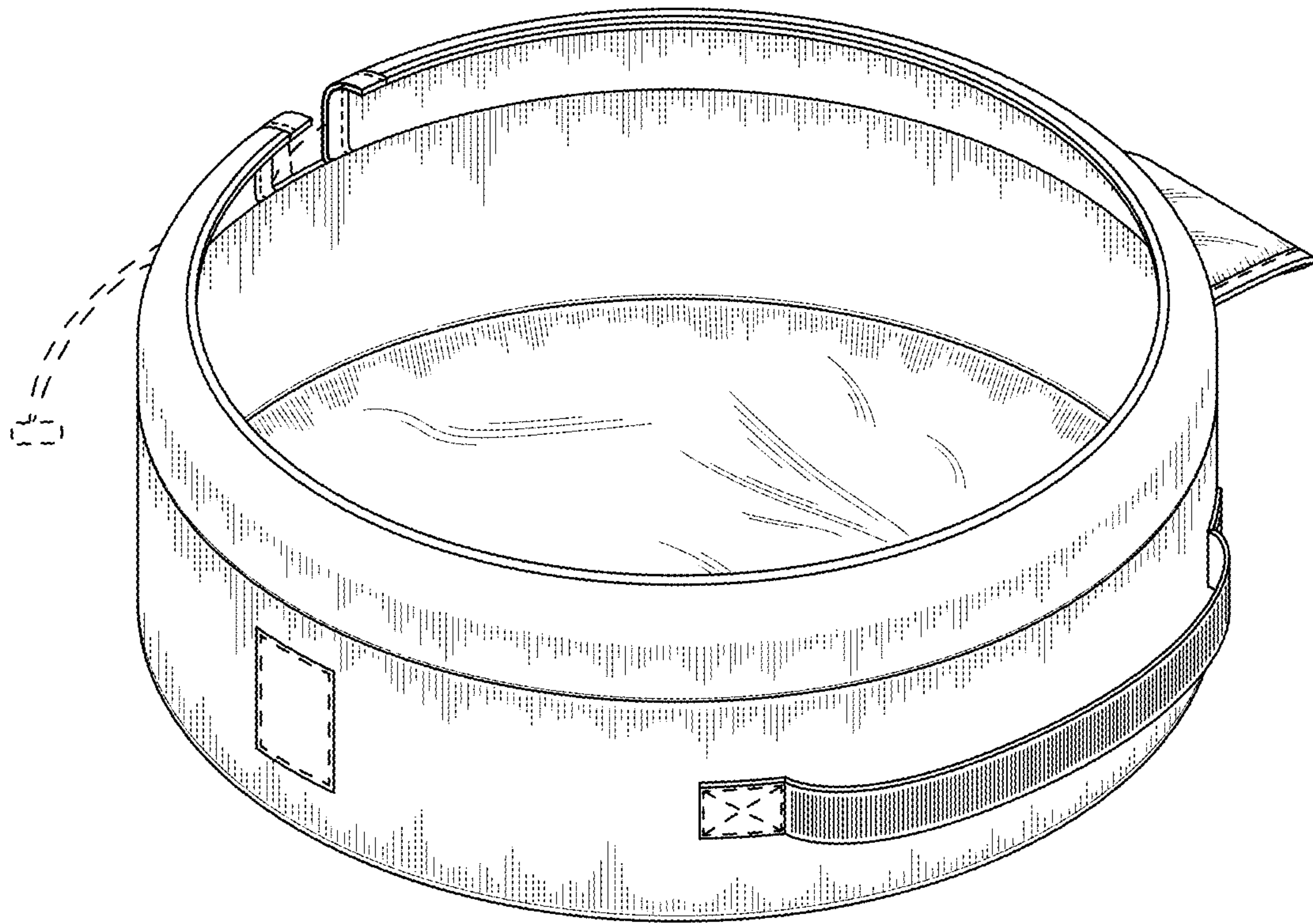


FIG. 1

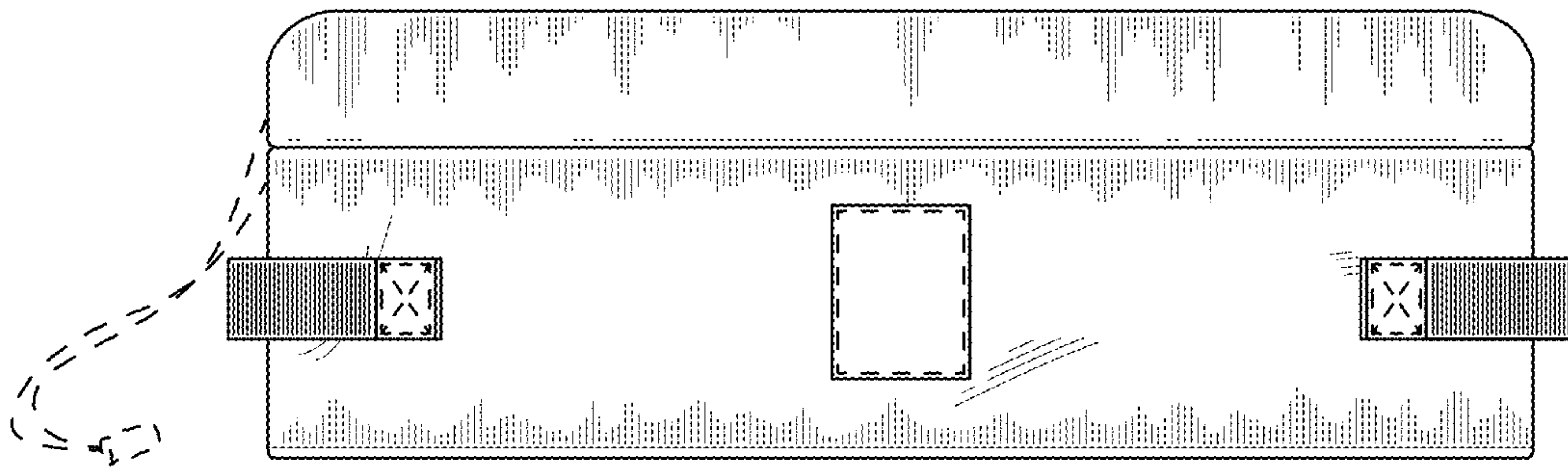


FIG. 2

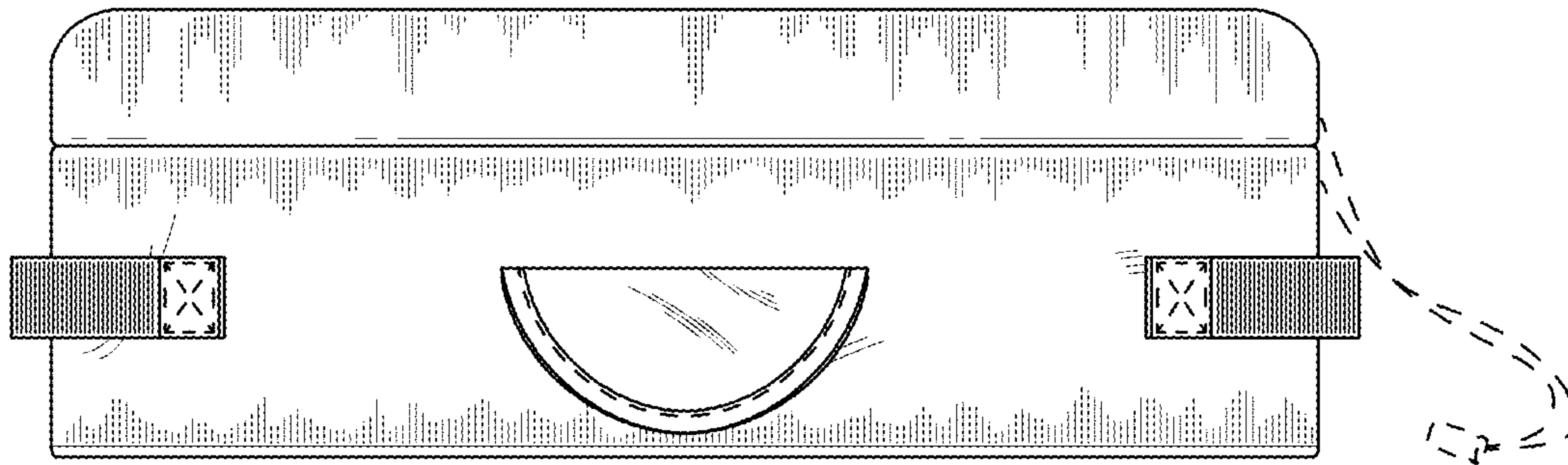


FIG. 3



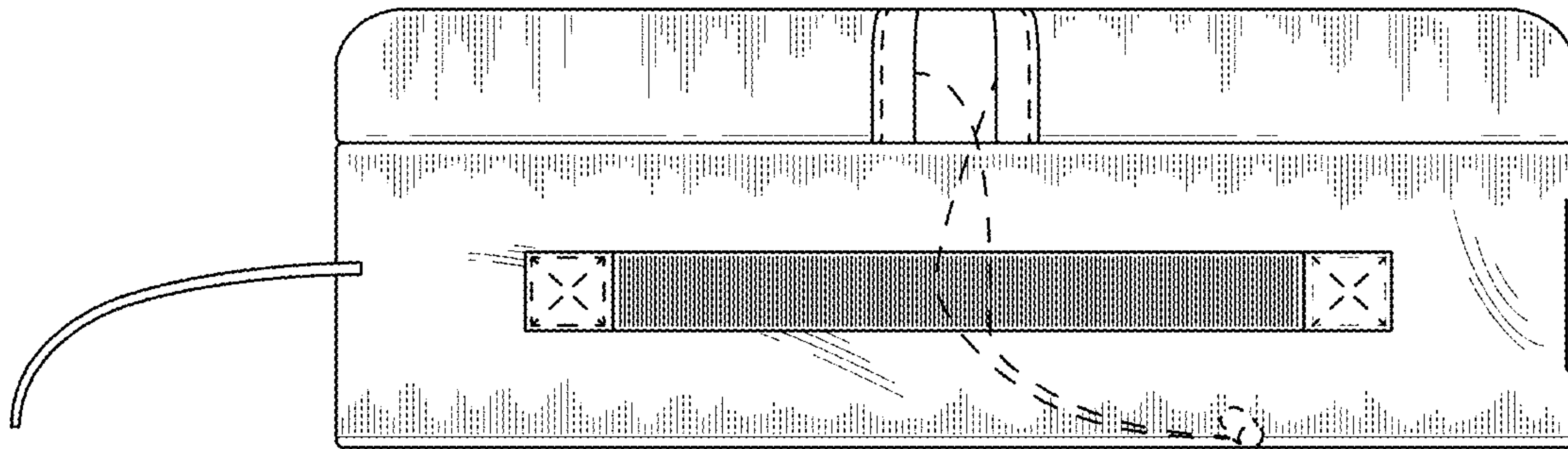


FIG. 4

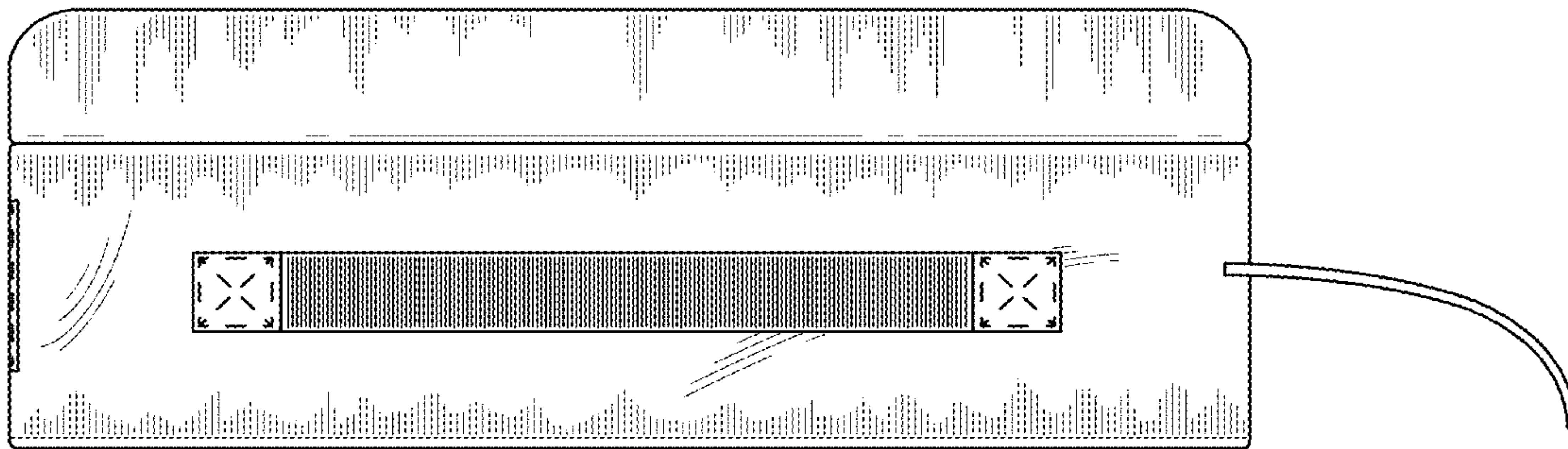


FIG. 5

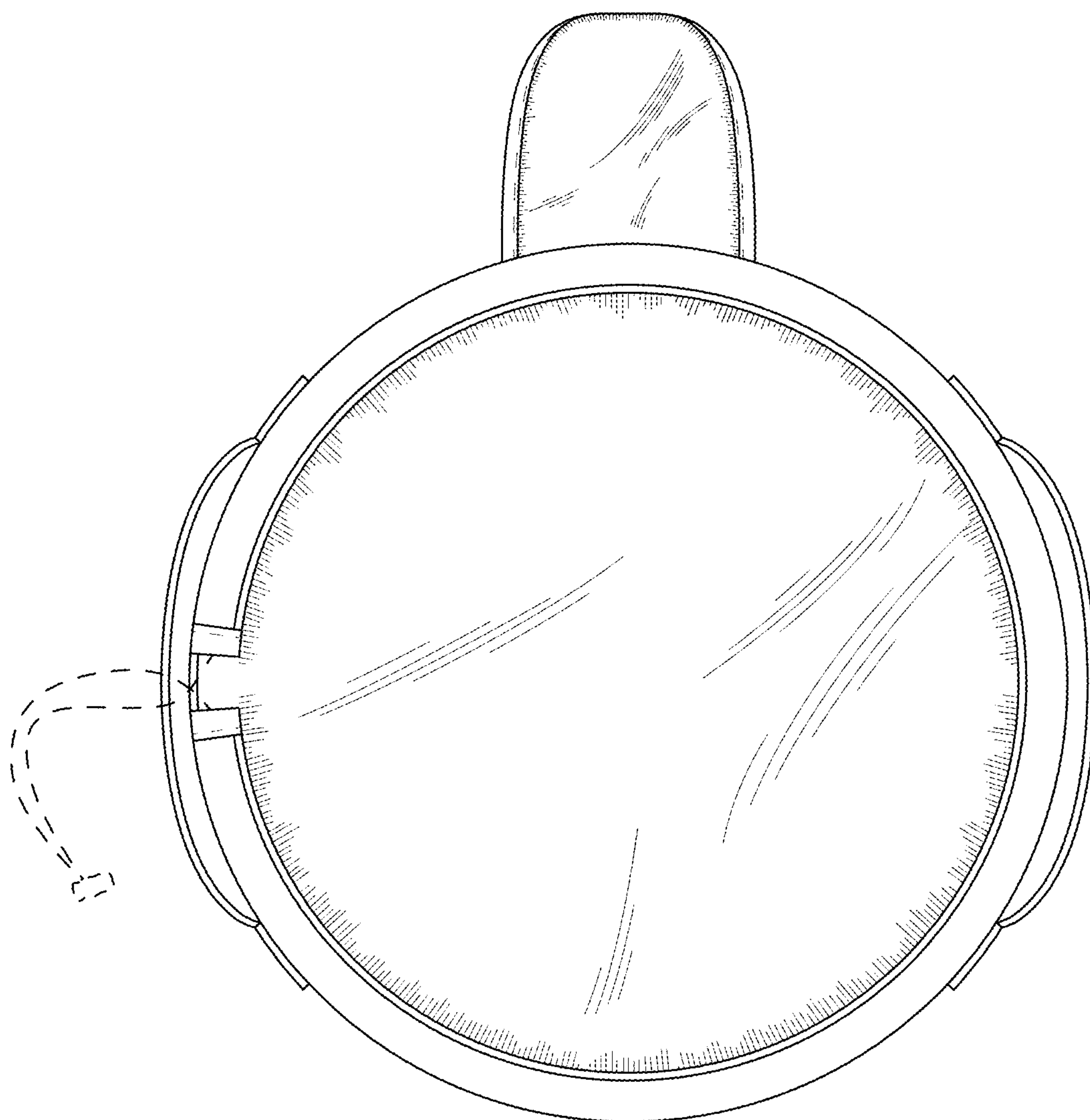


FIG. 6

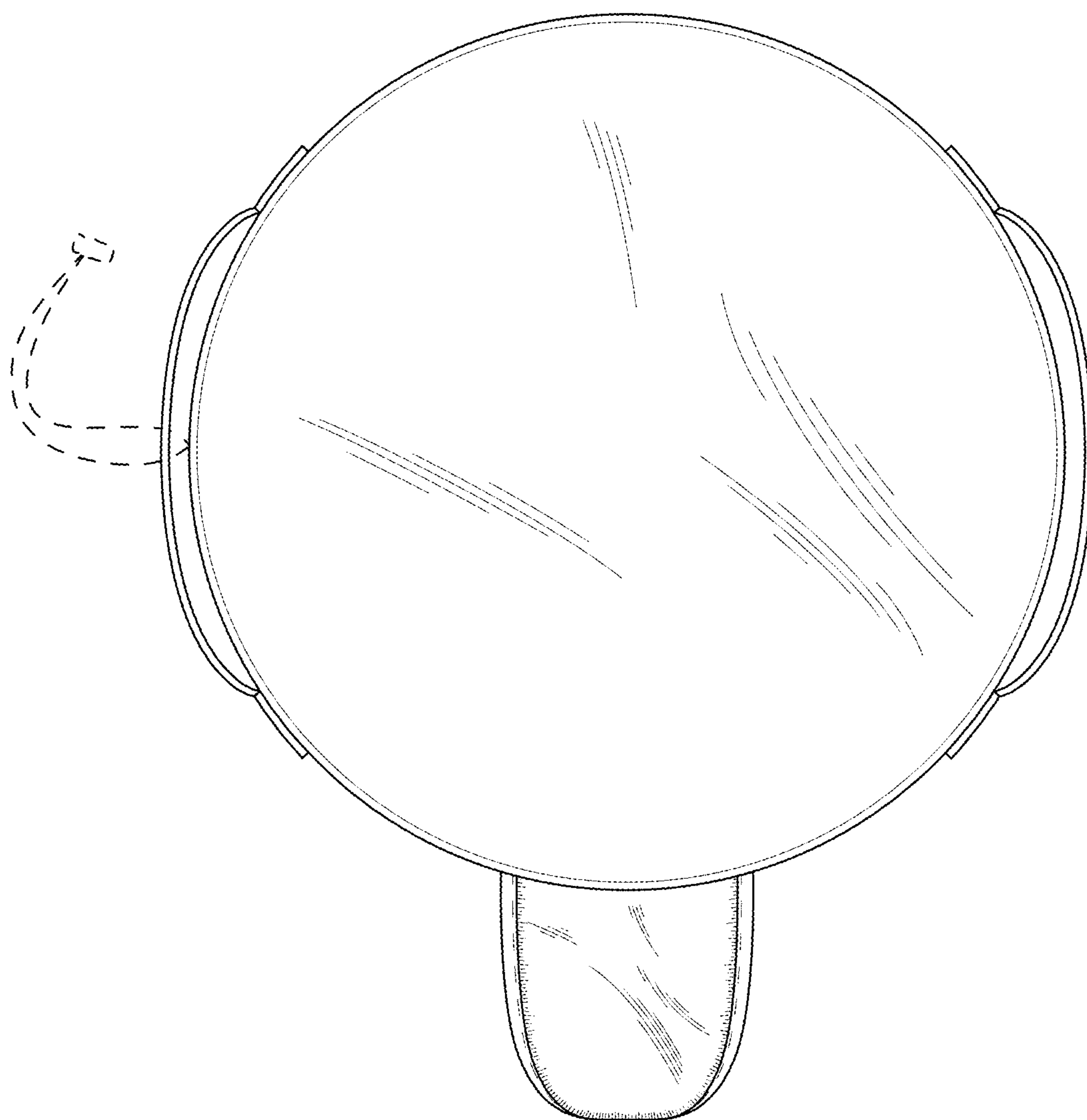


FIG. 7