



US00D955107S

(12) **United States Design Patent**  
**Franklin**

(10) **Patent No.:** **US D955,107 S**

(45) **Date of Patent:** **\*\* Jun. 21, 2022**

(54) **ARTIST'S IMPLEMENT CONTAINER**

(71) Applicant: **Travis Franklin**, Sarasota, FL (US)

(72) Inventor: **Travis Franklin**, Sarasota, FL (US)

(\*\*) Term: **15 Years**

(21) Appl. No.: **29/730,953**

(22) Filed: **Apr. 9, 2020**

(51) **LOC (13) Cl.** ..... **03-01**

(52) **U.S. Cl.**

USPC ..... **D3/273**; D9/430; D19/102

(58) **Field of Classification Search**

USPC ..... D3/272, 273, 274, 201, 205, 206, 218,  
D3/269, 282, 294; D6/315, 326;  
D7/391, 601, 641; D13/107, 108;  
D14/201, 223; D32/9, 58; D19/86, 104,  
D19/95, 101, 102, 103, 105, 106;  
D9/420, 423, 426, 428, 430, 431, 432,  
D9/436, 499, 558, 717, 721

CPC ..... H04R 1/1025; H02J 7/0044; Y02E 60/12;  
Y01R 13/6675; B65D 85/182; B65D  
73/02; A47F 8/02; A47F 1/00

See application file for complete search history.

(56) **References Cited**

**U.S. PATENT DOCUMENTS**

D19,126 S *	6/1889	Bell	.....	D23/386
408,369 A *	8/1889	Bell	.....	F27D 5/0018
				432/259
3,642,124 A *	2/1972	Brown	.....	B65D 59/08
				206/443
D266,487 S *	10/1982	Mansau	.....	D9/430
D302,873 S *	8/1989	Sayn Wittgenstein	.....	D28/85
D328,706 S *	8/1992	Ruff	.....	D9/430
D372,423 S *	8/1996	Cook	.....	D9/418
D385,186 S *	10/1997	Fildan	.....	D9/430
D402,201 S *	12/1998	Miller	.....	D9/431
D442,084 S *	5/2001	Hoffman	.....	D9/430

D452,370 S *	12/2001	La Greca	.....	D19/75
D464,881 S *	10/2002	Weinstein	.....	D9/430
D464,882 S *	10/2002	Weinstein	.....	D9/430
D495,598 S *	9/2004	Smith	.....	D9/430

(Continued)

**FOREIGN PATENT DOCUMENTS**

CN	3186770	*	5/2001
CN	3201934	*	9/2001

(Continued)

**OTHER PUBLICATIONS**

Fastcompany.com, Site visited Nov. 23, 2021, "Honeycomb Storage Units are the Bee's Knees," published by Mark Wilson on Jun. 3, 2014, <https://www.fastcompany.com/3031333/honeycomb-storage-units-are-the-bees-knees> (Year: 2014).\*

(Continued)

*Primary Examiner* — Brett Miller

*Assistant Examiner* — Jessica M Gebhart

(74) *Attorney, Agent, or Firm* — Edward P. Dutkiewicz

(57) **CLAIM**

The ornamental design for an artist's implement container, as shown and described.

**DESCRIPTION**

FIG. 1 is a front side elevational view of an artist's implement container;

FIG. 2 is a rear side elevational view thereof;

FIG. 3 is a right side elevational view thereof;

FIG. 4 is a left side, elevational view thereof;

FIG. 5 is a top plan view thereof;

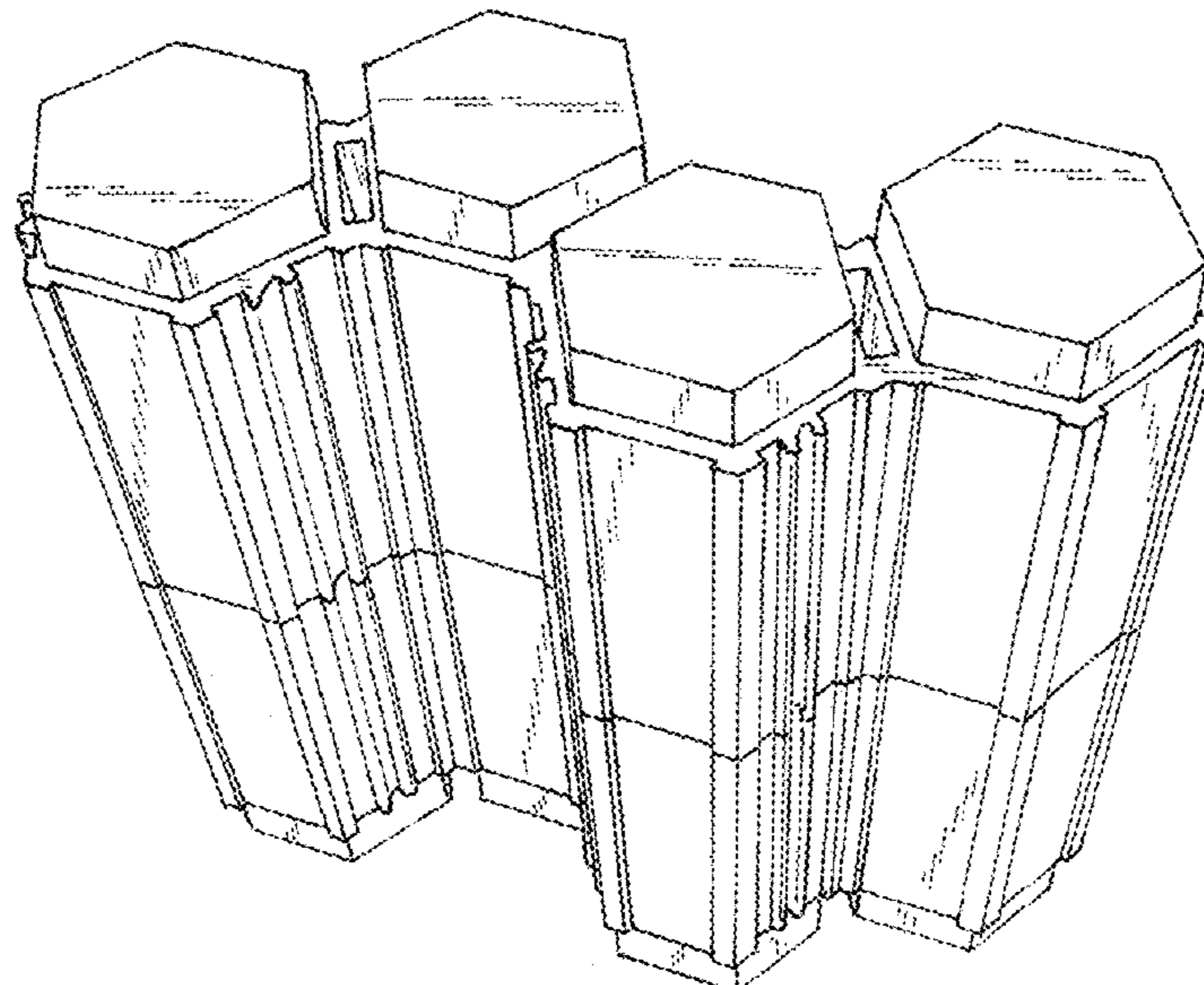
FIG. 6 is a bottom plan view thereof;

FIG. 7 is a top perspective view; and,

FIG. 8 is a bottom perspective view.

The broken lines depict portions of the artist's implement container that form no part of the claimed design.

**1 Claim, 5 Drawing Sheets**



(56)

References Cited

U.S. PATENT DOCUMENTS

D506,670 S \* 6/2005 Borkoski ..... D9/430  
 D524,155 S \* 7/2006 Coppola ..... D9/430  
 D577,269 S \* 9/2008 Ropek ..... D7/703  
 D582,266 S \* 12/2008 Helms, Jr. .... D9/430  
 D672,645 S \* 12/2012 Giannini ..... D9/430  
 D756,037 S \* 5/2016 Schlatter ..... D28/85  
 9,427,675 B2 \* 8/2016 Yang ..... A63H 33/04  
 D772,055 S \* 11/2016 O'Dowd ..... D9/430  
 D783,306 S \* 4/2017 Gal ..... D6/534  
 D814,567 S \* 4/2018 Franklin ..... D19/104  
 D816,163 S \* 4/2018 Franklin ..... D19/104  
 10,232,981 B1 \* 3/2019 Franklin ..... B65D 21/0204  
 D849,530 S \* 5/2019 Fremgen ..... D9/430  
 D856,608 S \* 8/2019 Funari ..... A01K 1/035  
 D893,997 S \* 8/2020 Ryan ..... D9/430  
 D906,802 S \* 1/2021 Chi ..... D9/430  
 D924,579 S \* 7/2021 Gawande ..... D6/349  
 D934,070 S \* 10/2021 Beckmann Legorreta .... D9/430  
 2006/0261060 A1 \* 11/2006 Baez ..... B65D 85/60  
 220/4.21

FOREIGN PATENT DOCUMENTS

CN 3663483 \* 6/2007  
 CN 301244982 \* 6/2010  
 CN 301463780 \* 2/2011  
 CN 301989942 \* 7/2012  
 CN 302705518 \* 1/2014  
 CN 302843137 \* 6/2014  
 CN 303282688 \* 7/2015  
 CN 303631643 \* 4/2016  
 CN 303816898 \* 8/2016  
 CN 304266876 \* 9/2017  
 CN 304484111 \* 1/2018  
 CN 304551060 \* 3/2018  
 CN 305034671 \* 2/2019  
 CN 305101690 \* 4/2019

CN 305221398 \* 6/2019  
 CN 305338743 \* 9/2019  
 CN 305450325 \* 11/2019  
 CN 305480667 \* 12/2019  
 CN 305555958 \* 1/2020  
 CN 305599244 \* 2/2020  
 CN 305686930 \* 4/2020  
 GB 5004597 \* 8/2016  
 GB 6086687 \* 4/2020

OTHER PUBLICATIONS

Amazon.ca, Site visited Nov. 23, 2021, Gneiss Spice Kit, First available May 15, 2017, <https://www.amazon.ca/dp/B00LMHAXIY> (Year: 2017).\*

Amazon.ca, Site visited Nov. 23, 2021, Honeyye Silicone Container Hexagon Honeybee Jar, First available Jul. 17, 2018, <https://www.amazon.ca/HONEYYE-Silicone-Container-Honeybee-Concentrate/dp/B07FL19JKM> (Year: 2018).\*

Amazon.ca, Site visited Nov. 23, 2021, Nordic Hexagon Shelf, First available Aug. 15, 2019, <https://www.amazon.ca/Hexagon-Hanging-Honeycomb-Shelves-Dekoration/dp/B07WMYDH6R> (Year: 2019).\*

Amazon.ca, Site visited Nov. 23, 2021, 6pc Partition Honeycomb Storage Bin Organizer, First available Jan. 7, 2019, <https://www.amazon.ca/Fenteer-Partition-Honeycomb-Scarves-Organizer/dp/B07MLYK8W8?th=1> (Year: 2019).\*

Amazon.ca, Site visited Nov. 23, 2021, Flameer Square Hexagon Wood Storage Box, First available Dec. 4, 2019, <https://www.amazon.ca/Flameer-Hexagon-Storage-Container-Organizer/dp/B07KXSV944?th=1> (Year: 2019).\*

Amazon.ca, Site visited Nov. 23, 2021, Duofire Triple Pen Holder Pencil Cup Desk Organizer, First available Mar. 4, 2020, <https://www.amazon.ca/DUOFIRE-Triple-Holder-Pencil-Organizer/dp/B085FZXRFW?th=1> (Year: 2020).\*

Youtube.com, Site visited Nov. 23, 2021, "Review: Cadence Capsule | the coolest reusable travel-sized makeup product container," uploaded on Mar. 5, 2020 by Gloria Yu, Still taken at the 0:48 mark, [https://www.youtube.com/watch?v=TCu\\_b\\_9TODw](https://www.youtube.com/watch?v=TCu_b_9TODw) (Year: 2020).\*

\* cited by examiner

FIG. 1

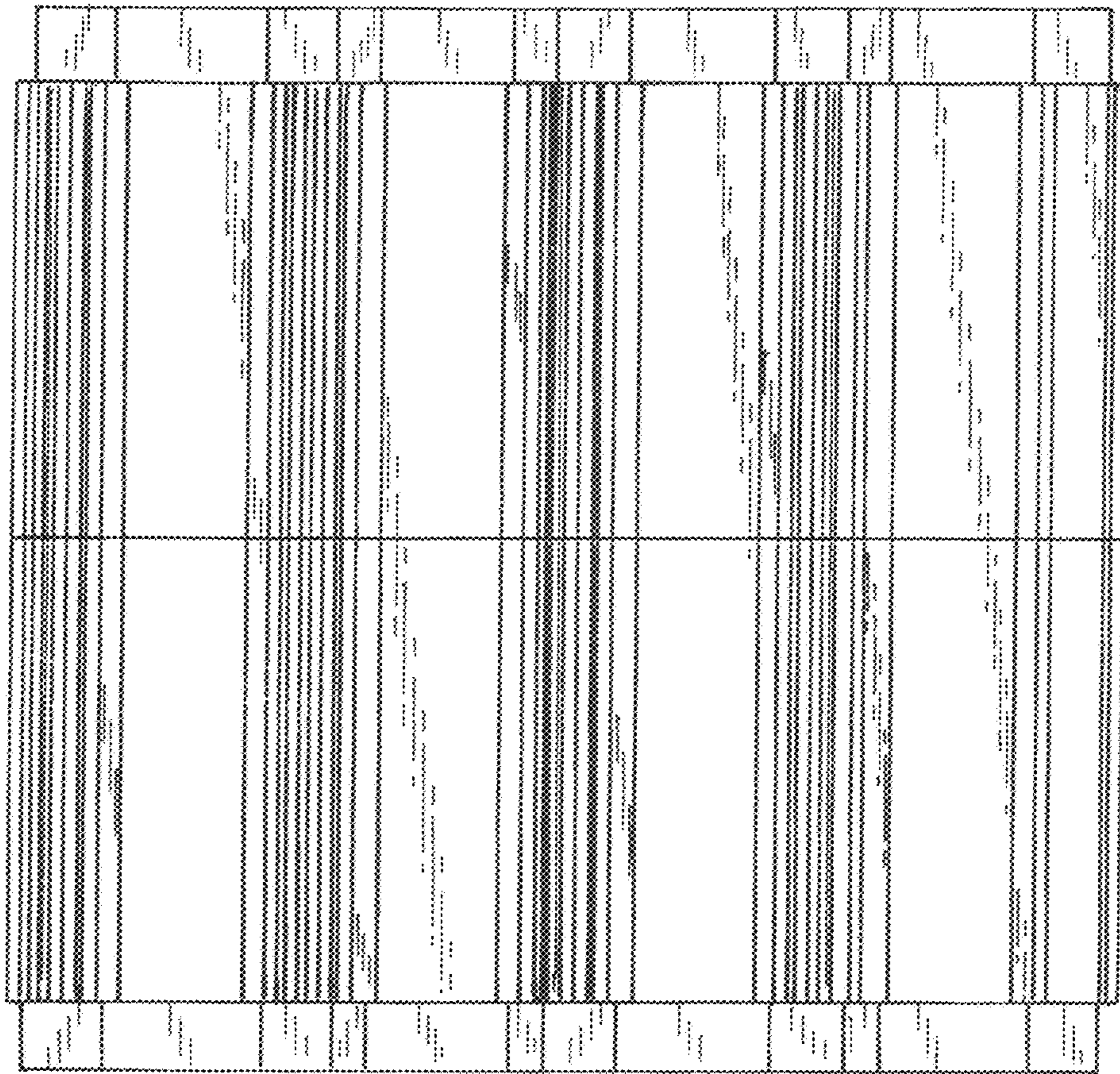
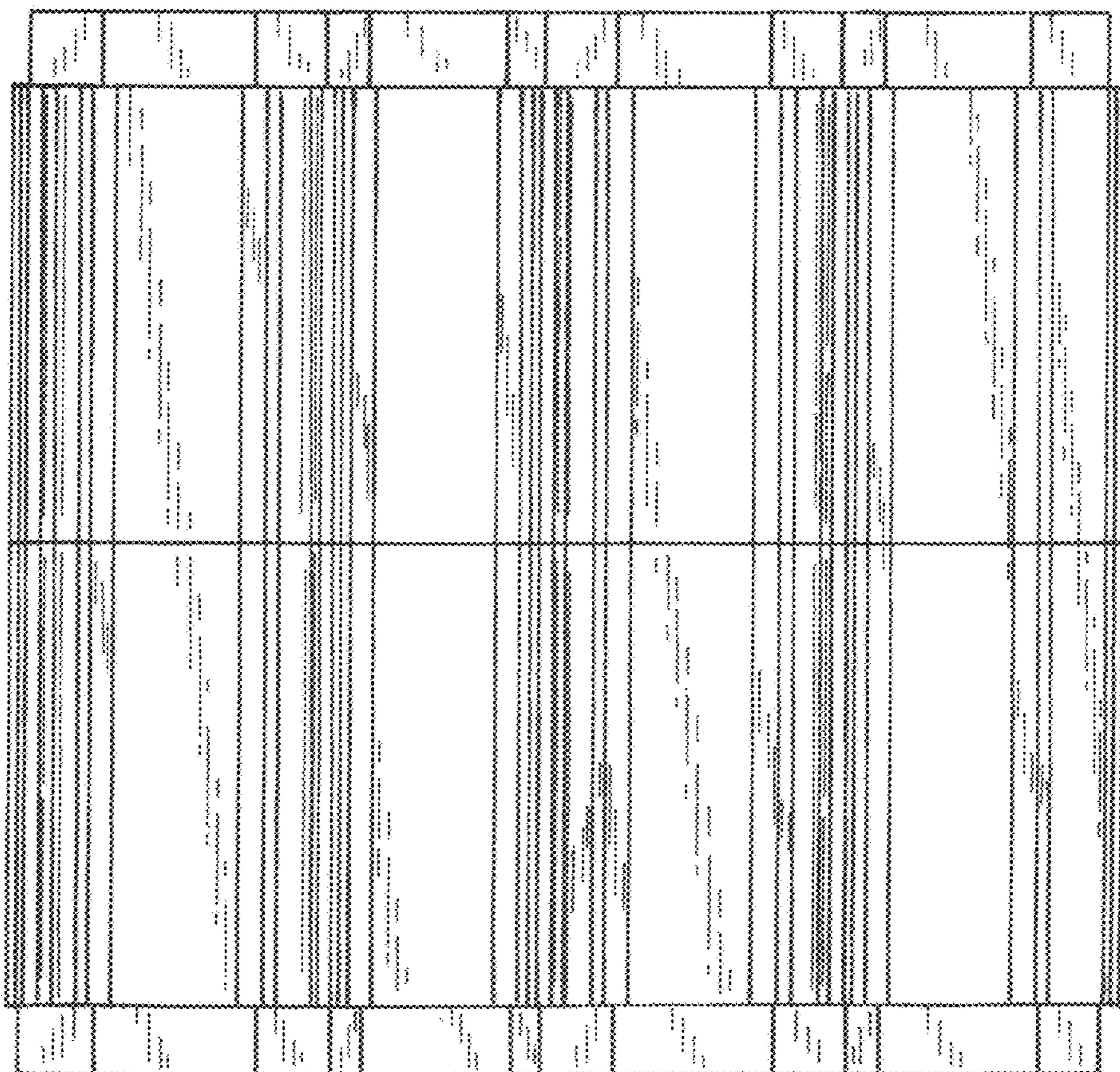


FIG. 2



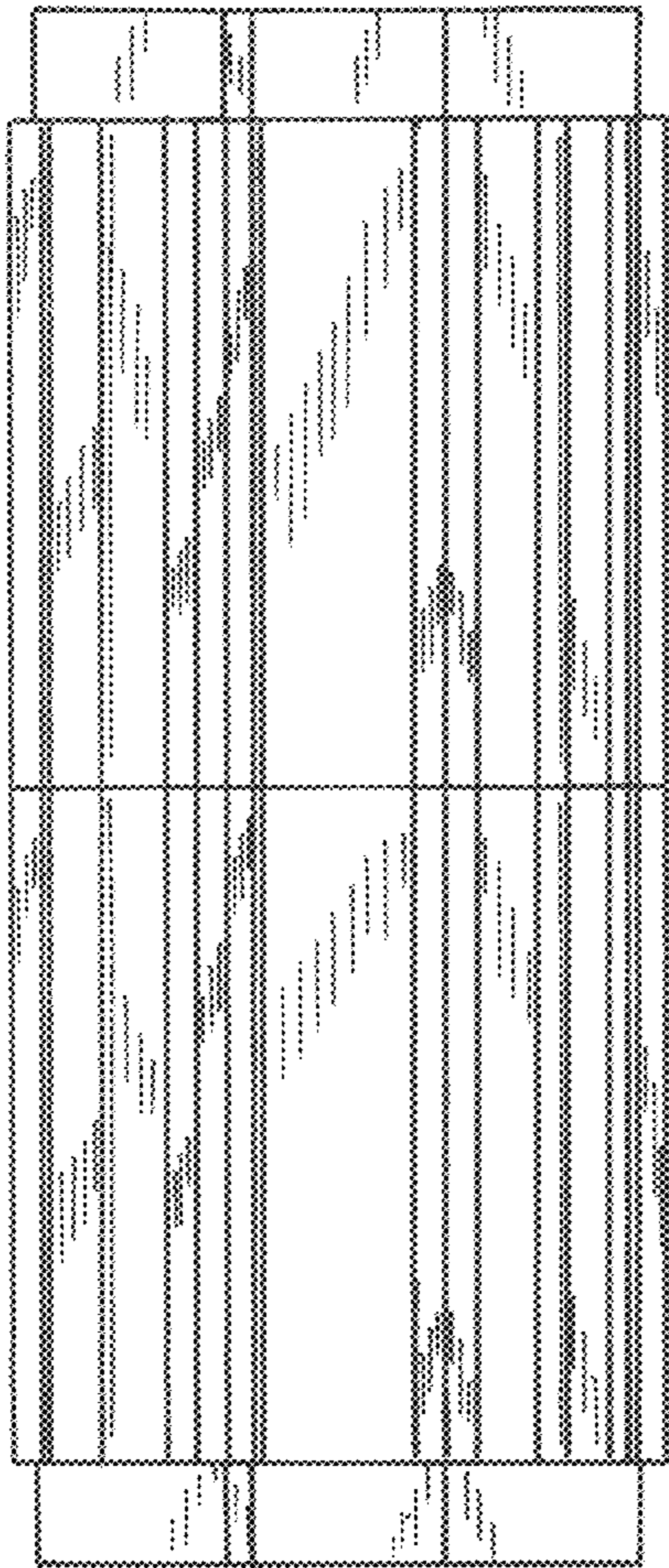


FIG. 3

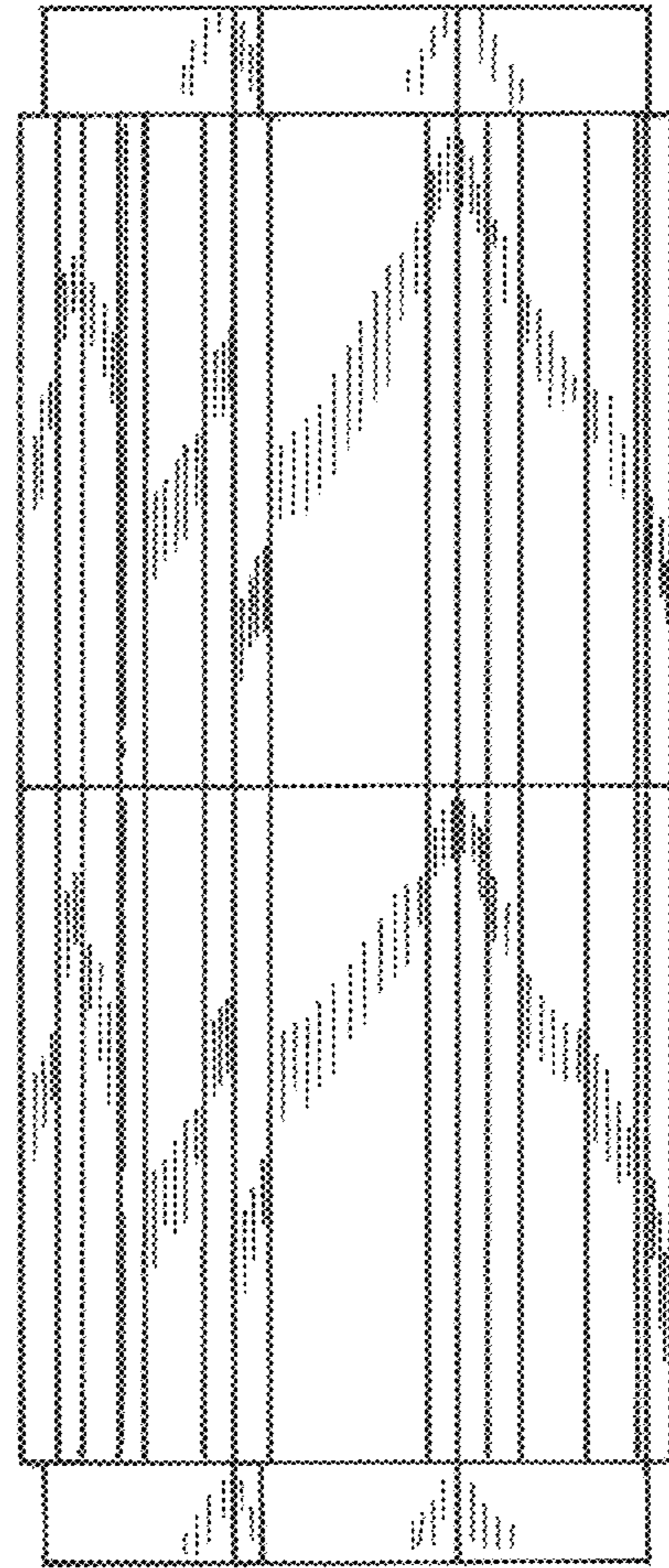


FIG. 4

FIG. 5

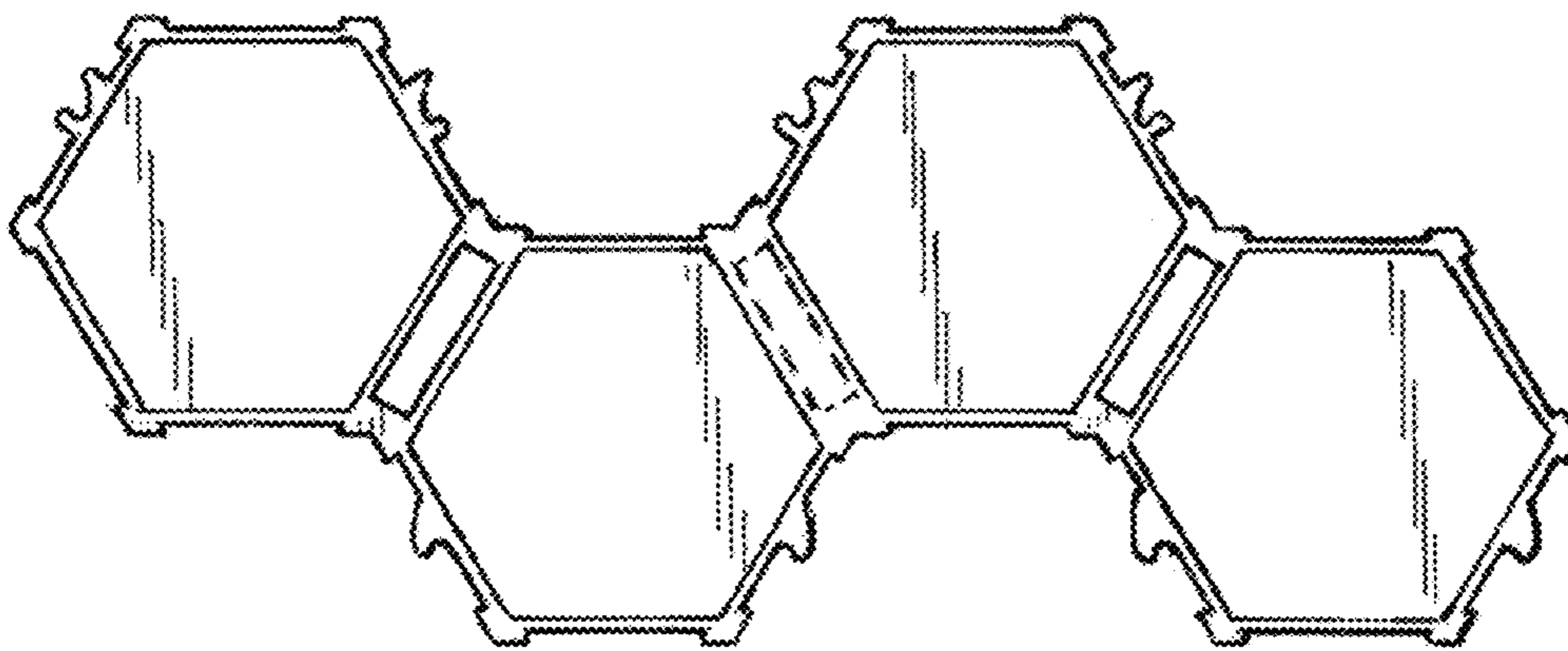
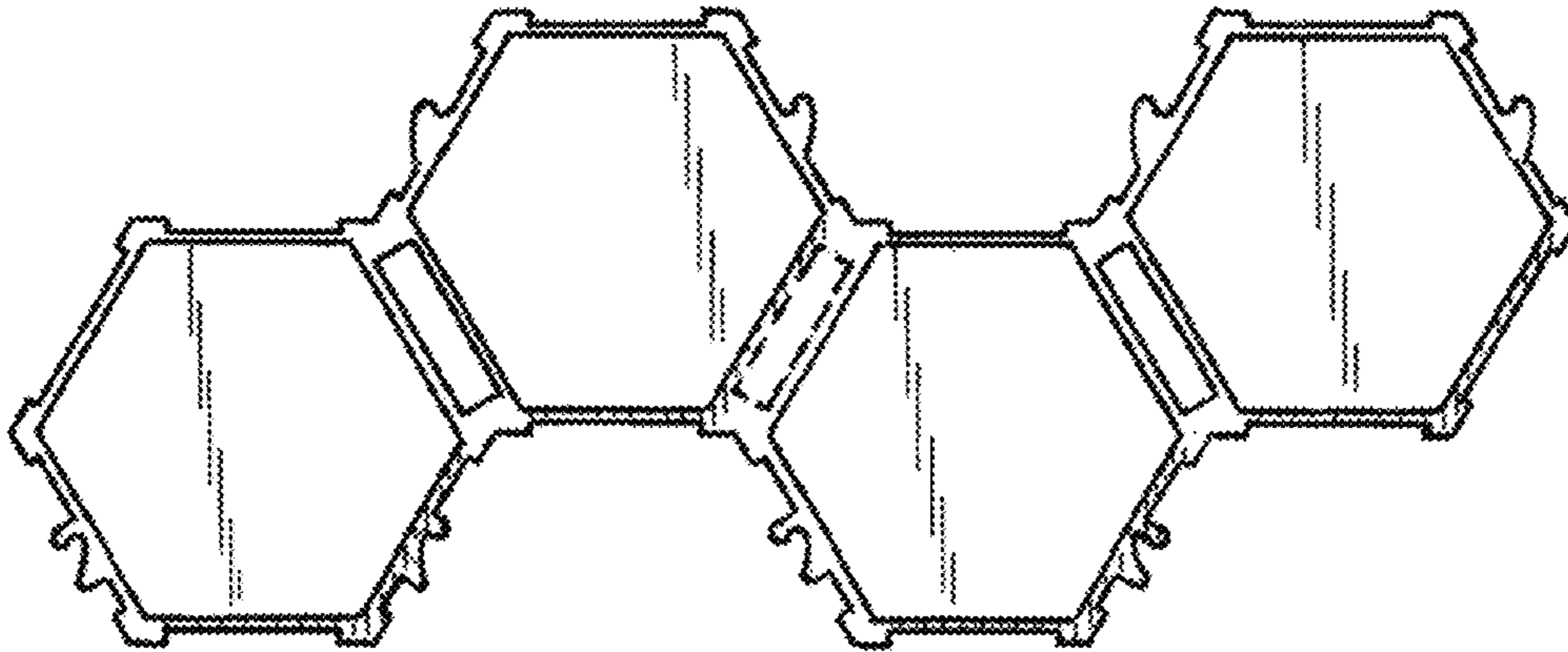


FIG. 6

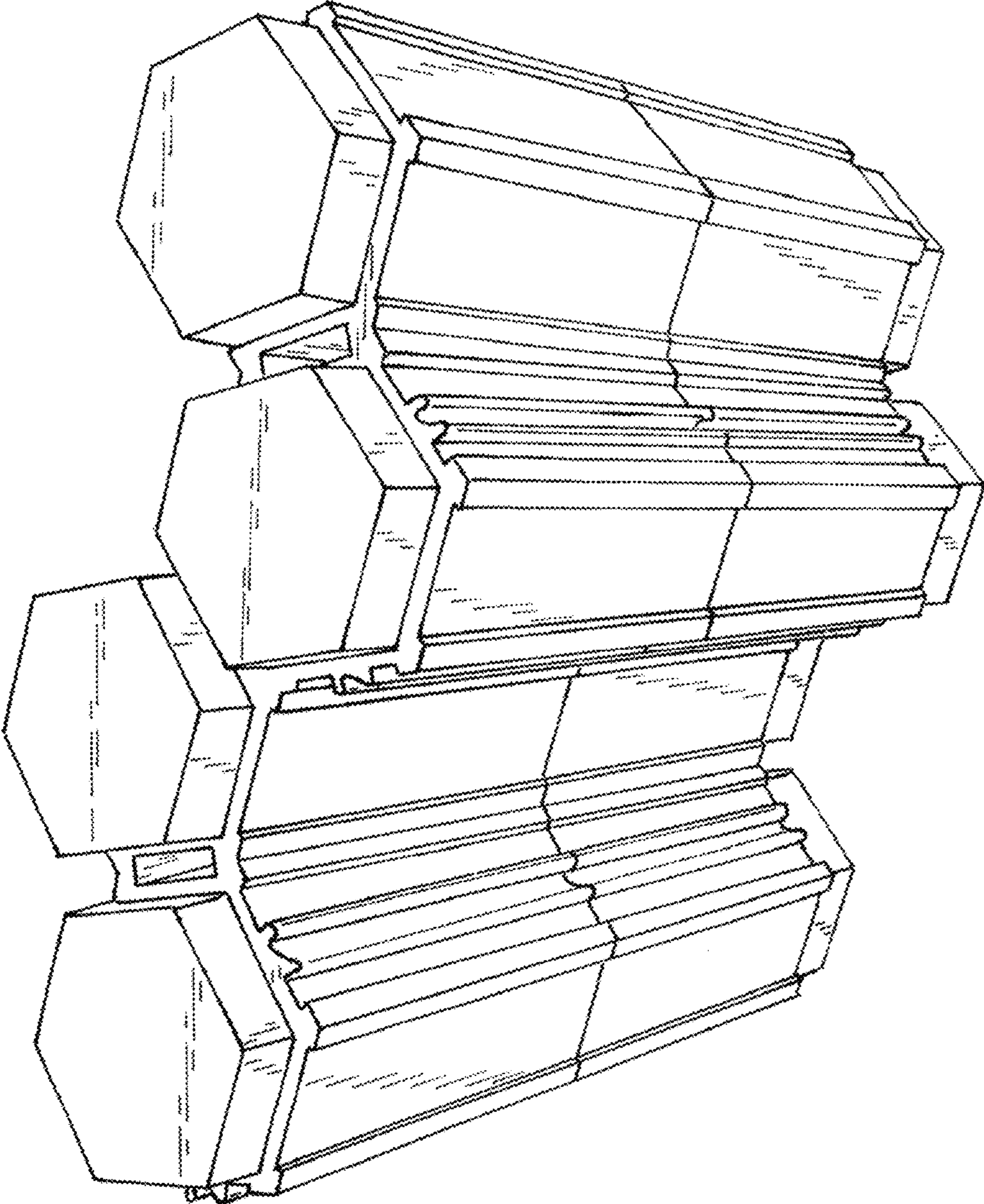


FIG. 7

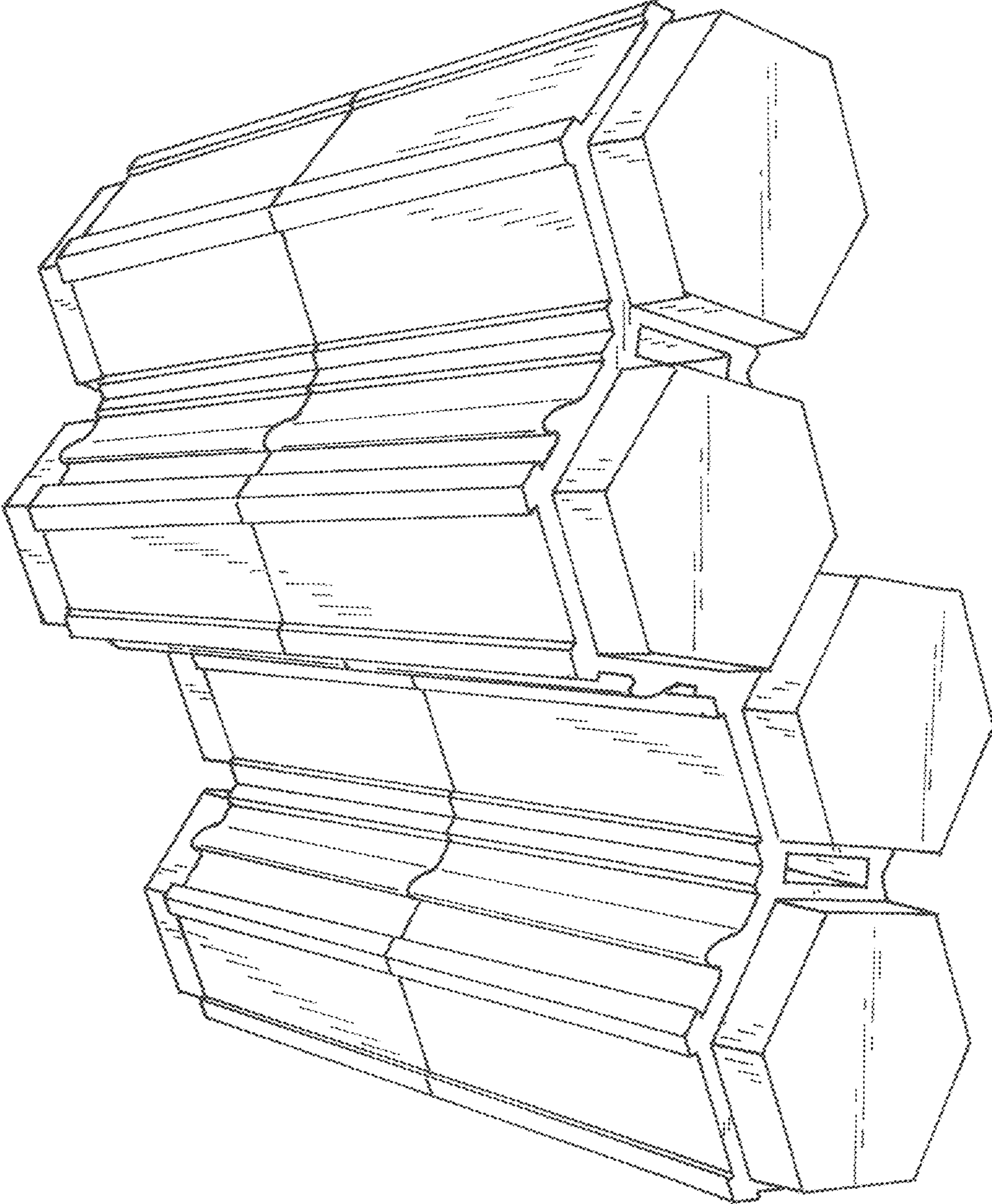


FIG. 8