



US00D955106S

(12) **United States Design Patent**
Hsu

(10) **Patent No.:** **US D955,106 S**
(45) **Date of Patent:** **** Jun. 21, 2022**

(54) **CONTAINER**

(71) Applicant: **L&F PLASTICS, CO., LTD.**, Miaoli County (TW)

(72) Inventor: **Mu-Chuan Hsu**, Miaoli County (TW)

(73) Assignee: **L&F PLASTICS, CO., LTD.**, Miaoli County (TW)

(**) Term: **15 Years**

(21) Appl. No.: **29/723,017**

(22) Filed: **Feb. 4, 2020**

(30) **Foreign Application Priority Data**

Sep. 20, 2019 (TW) 108305760
Sep. 20, 2019 (TW) 108305762

(51) **LOC (13) Cl.** **03-01**

(52) **U.S. Cl.**
USPC **D3/273**

(58) **Field of Classification Search**
USPC D3/272, 273, 274, 294, 905, 201, 302,
D3/318; D9/421, 435; D7/601, 629
CPC . B65D 43/164; B65D 2251/1083; B65D 1/22
See application file for complete search history.

(56) **References Cited**

U.S. PATENT DOCUMENTS

D257,528 S * 11/1980 Cherry D3/272
4,620,644 A * 11/1986 Miller B65D 43/165
206/508
4,765,480 A * 8/1988 Malmanger B65D 21/064
206/506
D306,264 S * 2/1990 Malmanger D3/294
6,318,586 B1 * 11/2001 Frankenberg B65D 21/0219
206/508
D493,282 S * 7/2004 Dubois B65D 43/164
D3/273
D501,722 S * 2/2005 Zimmerman D3/273
D643,717 S * 8/2011 Reinhart D9/435

D657,143 S * 4/2012 Jowett D3/272
D791,478 S * 7/2017 Jowett D3/294
2006/0091145 A1 * 5/2006 Miller B29C 45/006
220/826

(Continued)

FOREIGN PATENT DOCUMENTS

CN 3561446 * 9/2006
JP D1218582 * 9/2004

OTHER PUBLICATIONS

Amazon.com: Buckhorn AC2115120201000 Industrial Plastic 12 Gallon Storage Tote with Hinged Attached Lid: Searched on Sep. 23, 2021. Date first available: Nov. 24, 2016 <https://www.amazon.com/Buckhorn-AC2115120201000-Industrial-Attached-Container/dp/B01MQNHVTG> (Year: 2016).*

Primary Examiner — Brett Miller

Assistant Examiner — Jessica M Gebhart

(74) *Attorney, Agent, or Firm* — Karin L. Williams; Alan D. Kamrath; Mayer & Williams PC

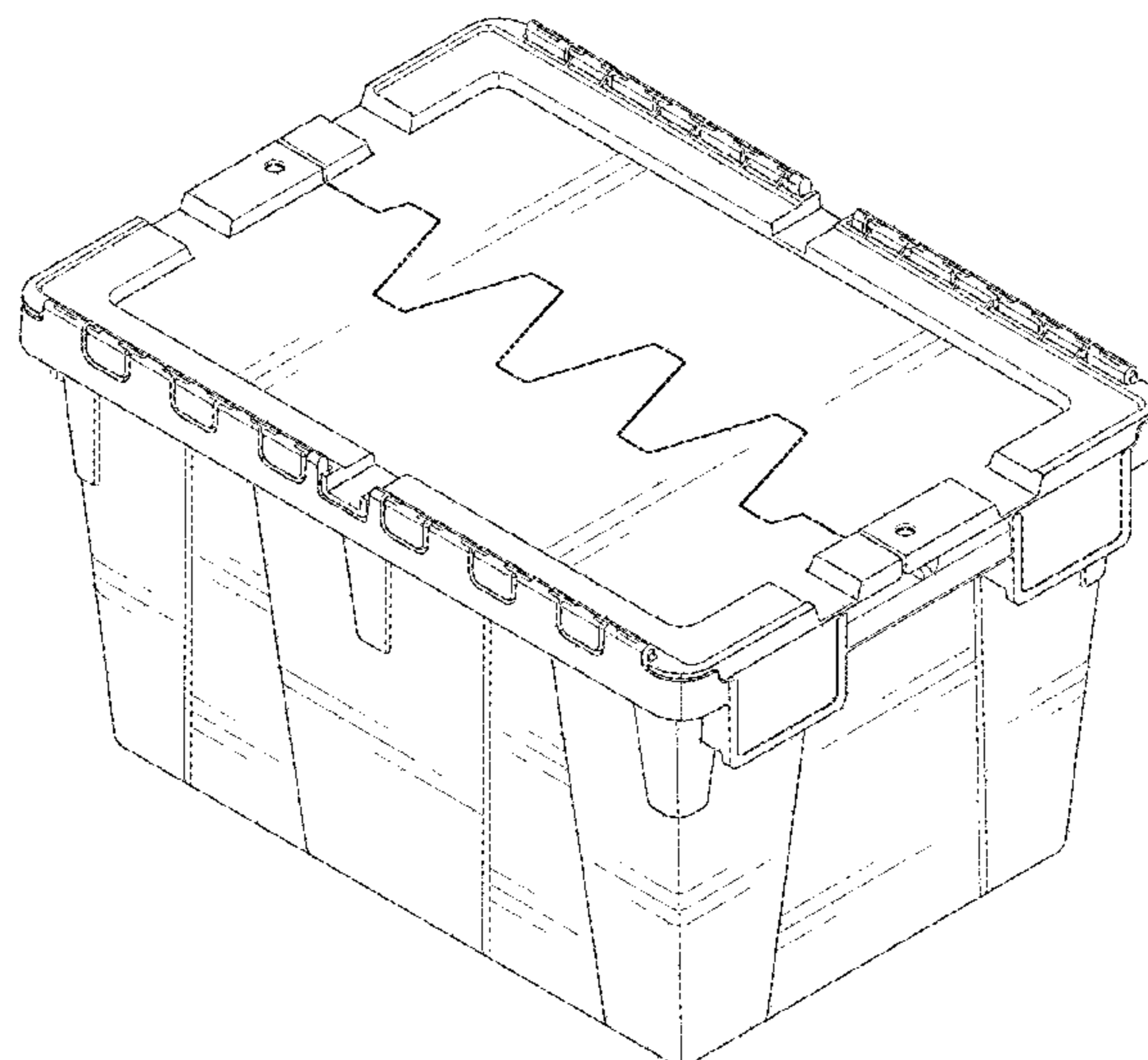
(57) **CLAIM**

I claim the ornamental design for a container, substantially as shown and described.

DESCRIPTION

FIG. 1 is a perspective view of a container showing my new design;
FIG. 2 is a front view thereof, and its rear view is the same as the front view;
FIG. 3 is a right side view thereof, and its left side view is the same as the right side view;
FIG. 4 is a top view thereof; and,
FIG. 5 is a bottom view thereof.
The broken lines in the drawings are for the purpose of illustrating portions of the container that form no part of the claimed design.

1 Claim, 5 Drawing Sheets



(56)

References Cited

U.S. PATENT DOCUMENTS

2006/0186123 A1* 8/2006 Baltz B65D 43/164
220/324
2009/0173744 A1* 7/2009 Hassell B65D 43/164
220/826
2011/0303691 A1* 12/2011 Frankenberg B65D 1/22
220/780
2012/0255965 A1* 10/2012 King B65D 43/164
220/826
2012/0279980 A1* 11/2012 Koefeld B65D 43/22
220/826
2014/0069949 A1* 3/2014 Niemann E05D 7/1061
220/840
2018/0282029 A1* 10/2018 Spadavecchia B65D 43/164
2019/0127137 A1* 5/2019 Dunlap B65D 81/261

* cited by examiner

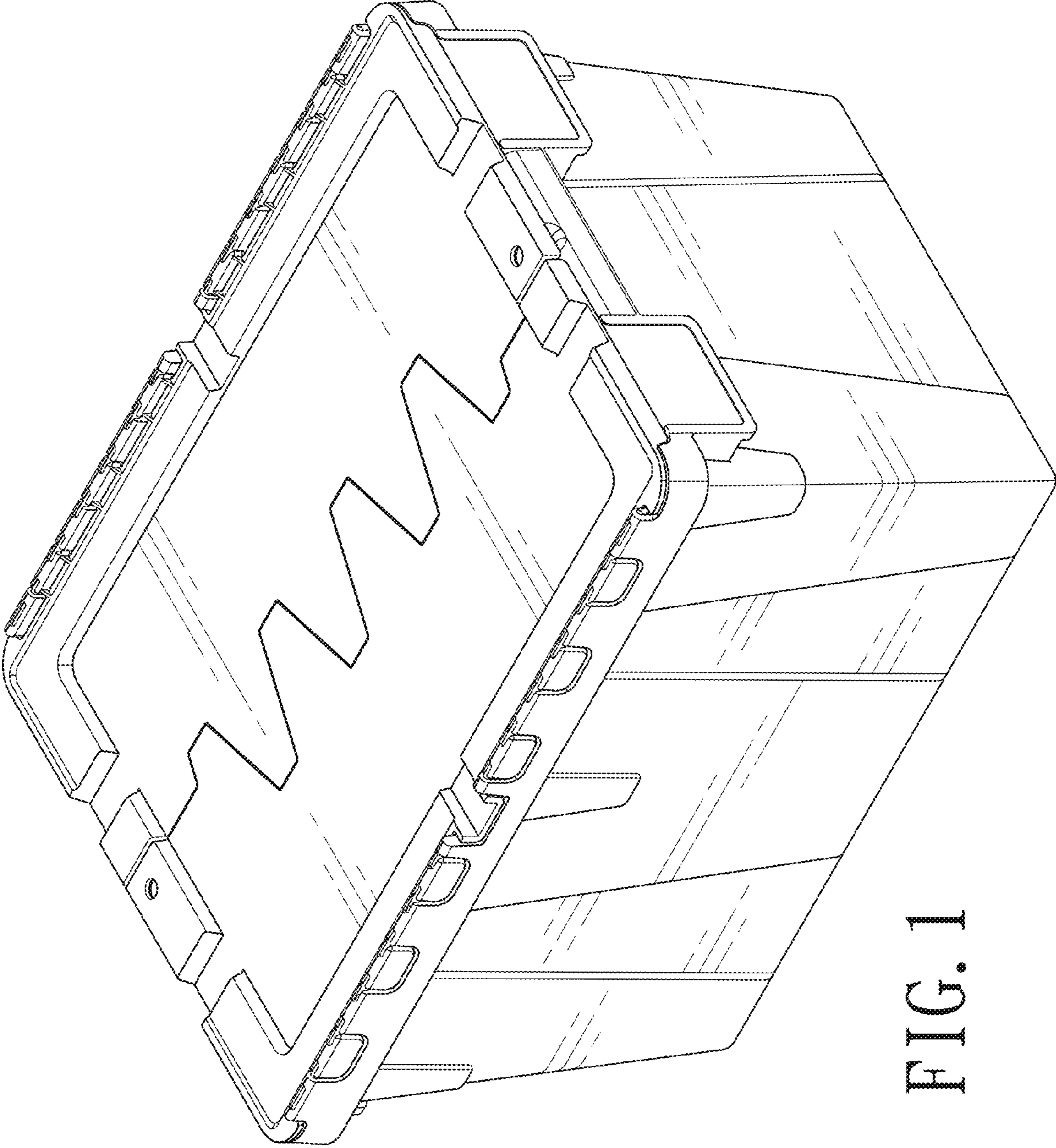


FIG. 1

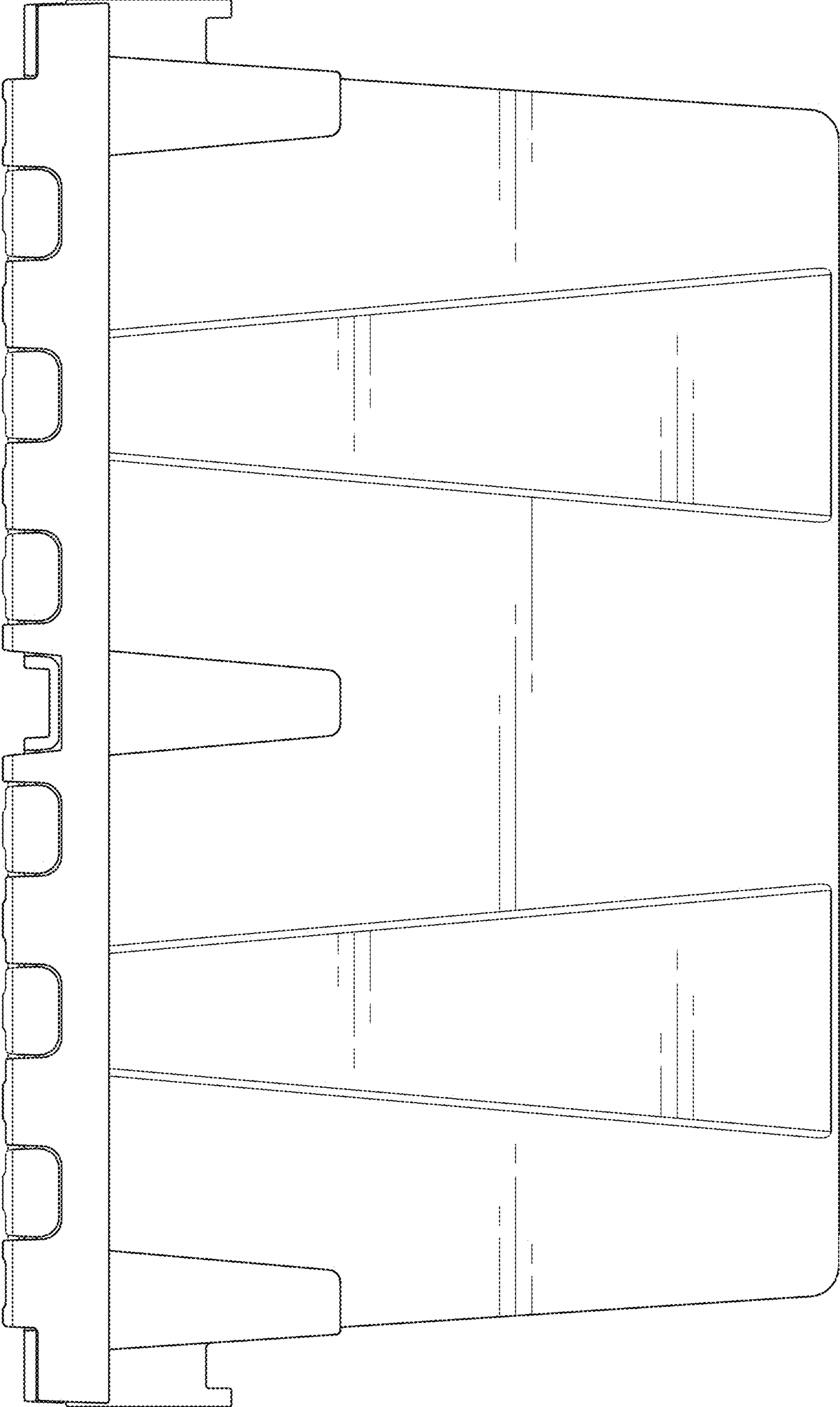


FIG. 2

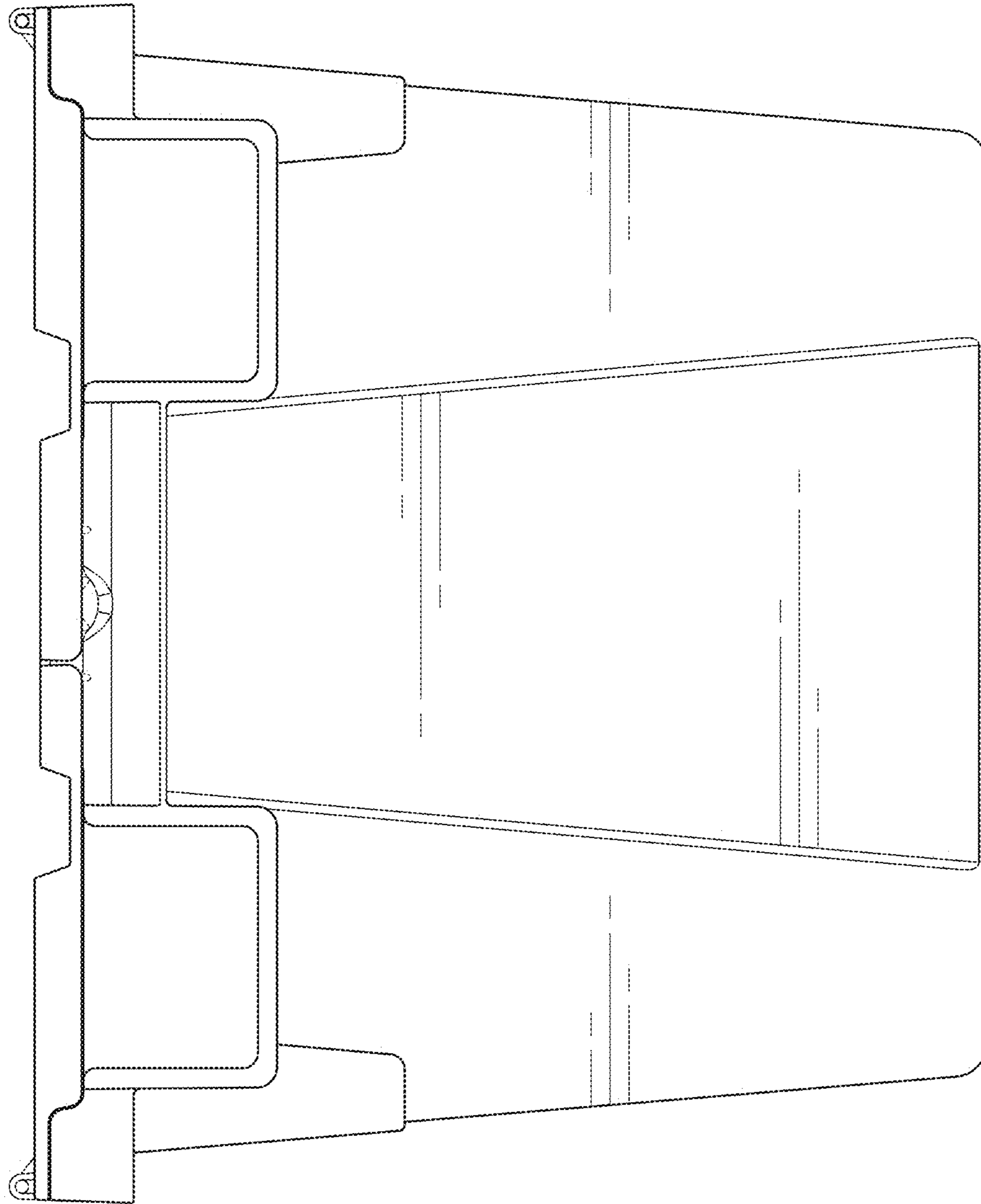


FIG. 3

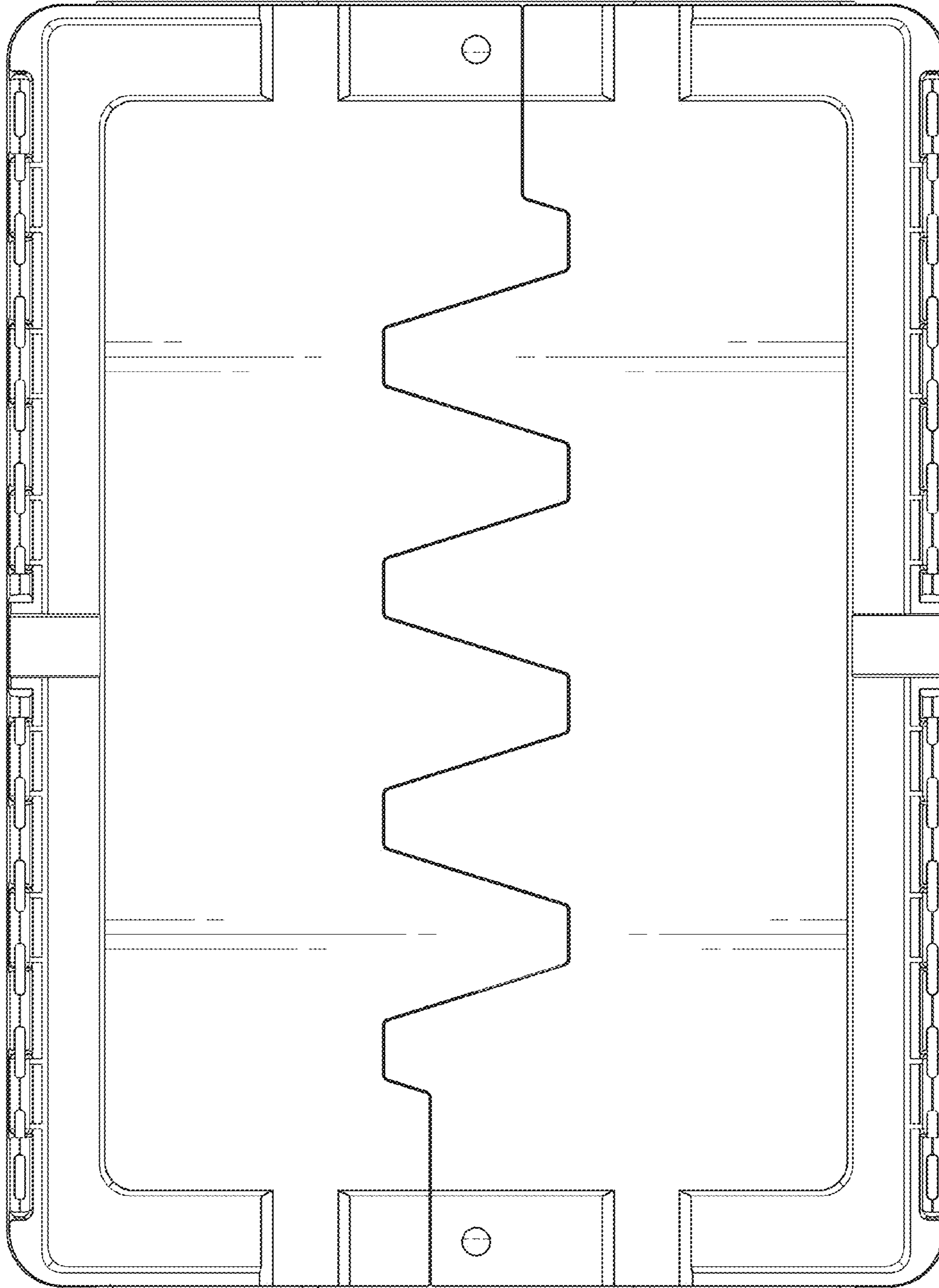


FIG. 4

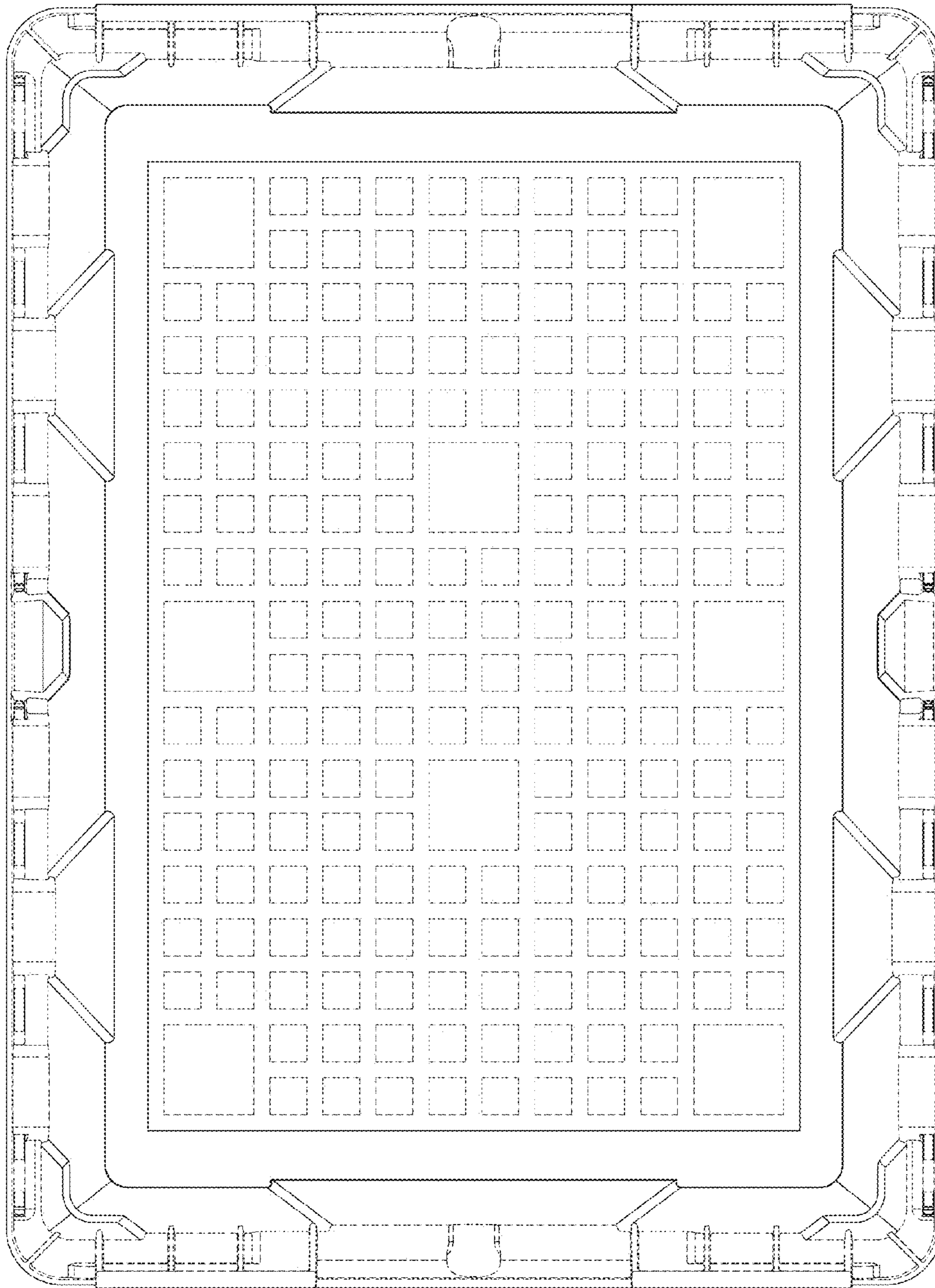


FIG. 5