



US00D955104S

(12) **United States Design Patent**
Drury, Jr.

(10) **Patent No.:** **US D955,104 S**
(45) **Date of Patent:** **** Jun. 21, 2022**

(54) **CELL PHONE TETHER WITH CLIP**

D889,819 S * 7/2020 Feng D3/201
D892,491 S * 8/2020 Feng D3/201
10,813,440 B1 * 10/2020 Hernandez H04B 1/3888

(71) Applicant: **Martin Roy Drury, Jr.**, Thompsons Station, TN (US)

(Continued)

(72) Inventor: **Martin Roy Drury, Jr.**, Thompsons Station, TN (US)

OTHER PUBLICATIONS

(**) Term: **15 Years**

Rogue Fishing Co. The Protector Phone Tether, first available Apr. 17, 2020, amazon.com [online], [site visited Oct. 15, 2021], Available at internet URL: <https://www.amazon.com/dp/B07W1Z5C64/> (Year: 2020).*

(21) Appl. No.: **29/736,477**

(Continued)

(22) Filed: **May 31, 2020**

(51) **LOC (13) Cl.** **03-01**

Primary Examiner — Jeffrey D Asch

(52) **U.S. Cl.**

Assistant Examiner — Caitlin A Laverty

USPC **D3/218**

(74) *Attorney, Agent, or Firm* — Hornkohl Intellectual Property Law, PLLC; Jason L. Hornkohl

(58) **Field of Classification Search**

USPC D3/207–212, 215, 218–219, 226–230, D3/247, 249, 303, 318, 328; D8/44, 356, D8/358–359; D10/72

CPC A44B 15/00; A44B 15/002; A44B 15/005; A44B 15/007; A45C 1/06; A45C 3/08; A45C 11/32; A45C 2011/002; A45C 13/30; F04B 15/00; E05B 19/04; H04B 1/034; A45F 3/02; A45F 3/14; A45F 5/00; A45F 5/02; A45F 5/021; A45F 5/004; A45F 2005/006; A45F 2005/008; A45F 2200/0516

See application file for complete search history.

(57) **CLAIM**

The ornamental design for a cell phone tether with clip, as shown and described.

DESCRIPTION

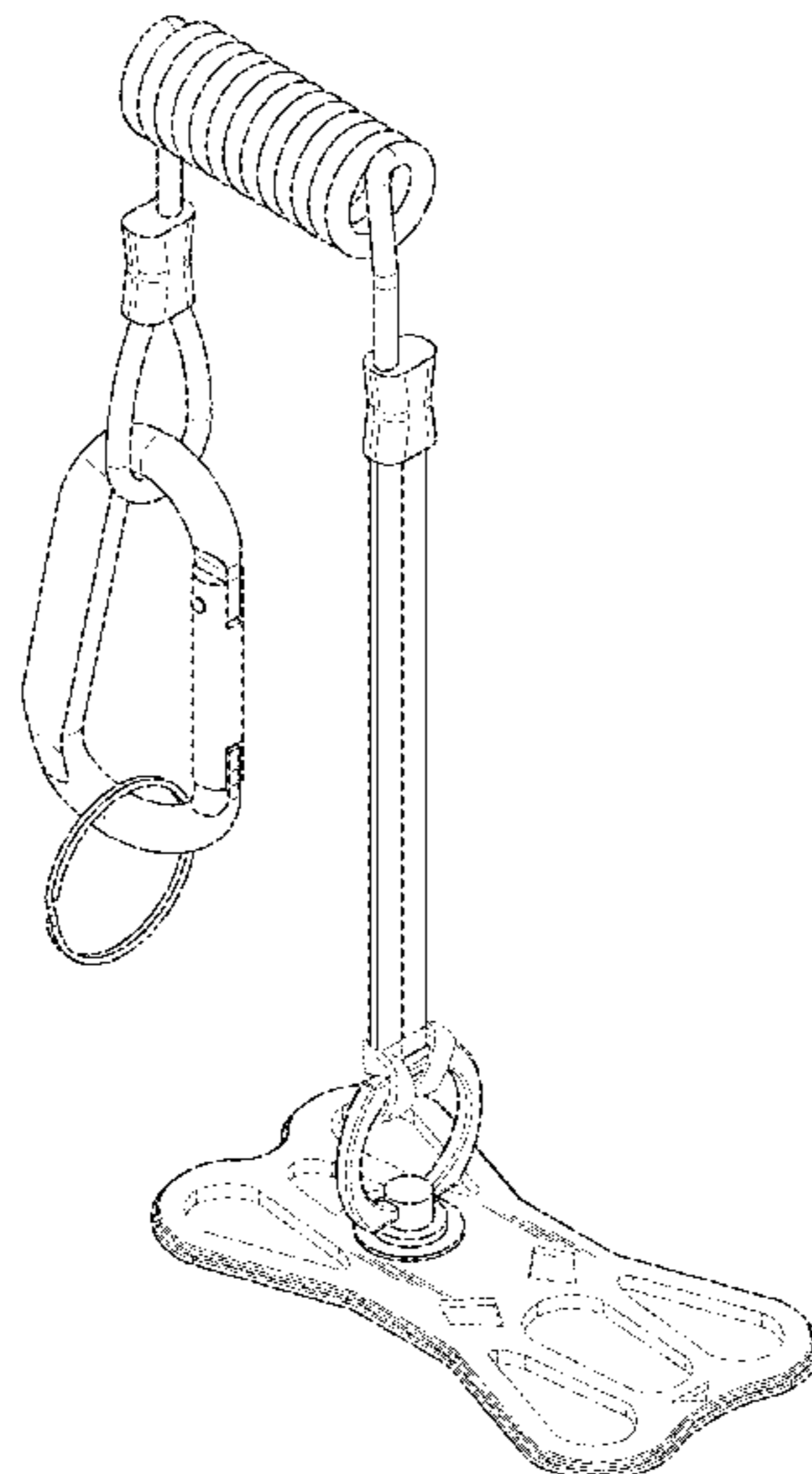
FIG. 1 is an isometric view of a cell phone tether with clip showing my new design;
FIG. 2 is another isometric view of the cell phone tether with clip;
FIG. 3 is a front view of the cell phone tether with clip;
FIG. 4 is a back view of the cell phone tether with clip;
FIG. 5 is a left-side view of the cell phone tether with clip;
FIG. 6 is a right-side view of the cell phone tether with clip;
FIG. 7 is a top view of the cell phone tether with clip; and,
FIG. 8 is a bottom view of the cell phone tether with clip.
The broken lines in the drawings depict portions of the cell phone tether with clip that form no part of the claimed design.

(56) **References Cited**

U.S. PATENT DOCUMENTS

5,785,221 A * 7/1998 Bishop A45F 5/02 206/38
D706,123 S * 6/2014 Mathews D8/382
D775,517 S * 1/2017 Votel D8/382
D797,442 S * 9/2017 Moreau D3/215
9,891,504 B2 * 2/2018 Fromm F16M 11/041
D856,321 S * 8/2019 Khalsa D14/253
D858,088 S * 9/2019 Osmanski D3/207
D861,333 S * 10/2019 Feng D3/218
D871,754 S * 1/2020 Feng D3/218

1 Claim, 6 Drawing Sheets



(56)

References Cited

U.S. PATENT DOCUMENTS

2003/0075576 A1* 4/2003 Condiff A45F 5/02
224/269
2004/0069822 A1* 4/2004 Condiff A45F 5/00
224/269
2004/0069823 A1* 4/2004 Condiff A45F 5/00
224/269
2009/0127302 A1* 5/2009 Pruitt B25B 23/00
224/219
2010/0147912 A1* 6/2010 Salentine A45F 5/02
224/254
2013/0148295 A1* 6/2013 Minn A45F 5/00
361/679.59
2014/0259538 A1* 9/2014 Bransfield A45C 11/00
24/3.13
2015/0288406 A1* 10/2015 Haymond A45C 13/30
455/575.6

OTHER PUBLICATIONS

Redfish Wallie's Phone Leash, unknown first available date, hoodoosports.com [online], [site visited Oct. 15, 2021], Available at internet URL: <https://www.hoodoosports.com/products/redfish-wallies-phone-leash> (Year: 2021).*

Facebook user "Rogue Fishing Co.", The Essentials Kit photo posted Nov. 29, 2019, facebook.com [online], [site visited Oct. 15, 2021], Available at internet URL: <https://www.facebook.com/roguefishingco/photos/a.479362519256158/684593295399745/?type=3&theater> (Year: 2019).*

* cited by examiner

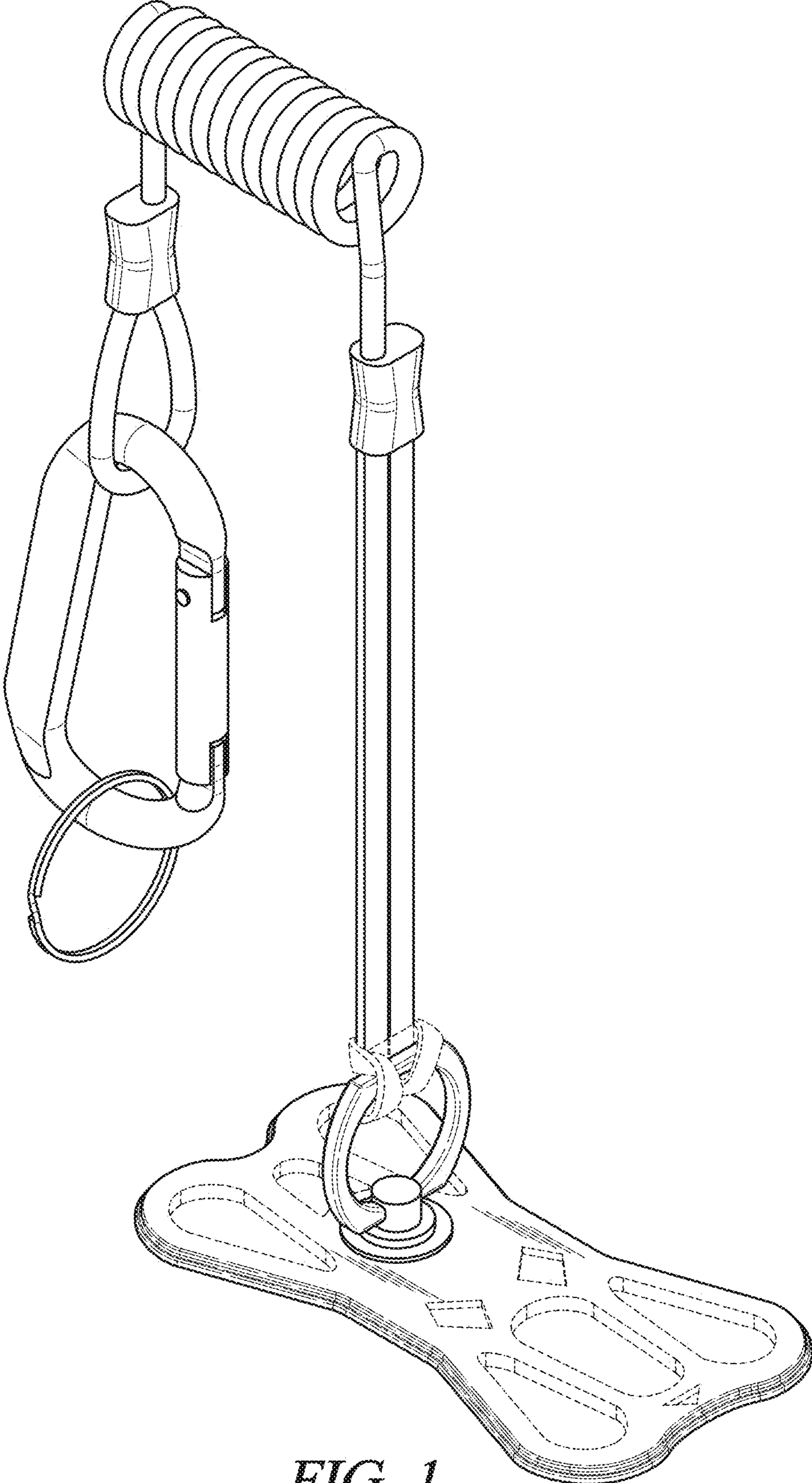


FIG. 1

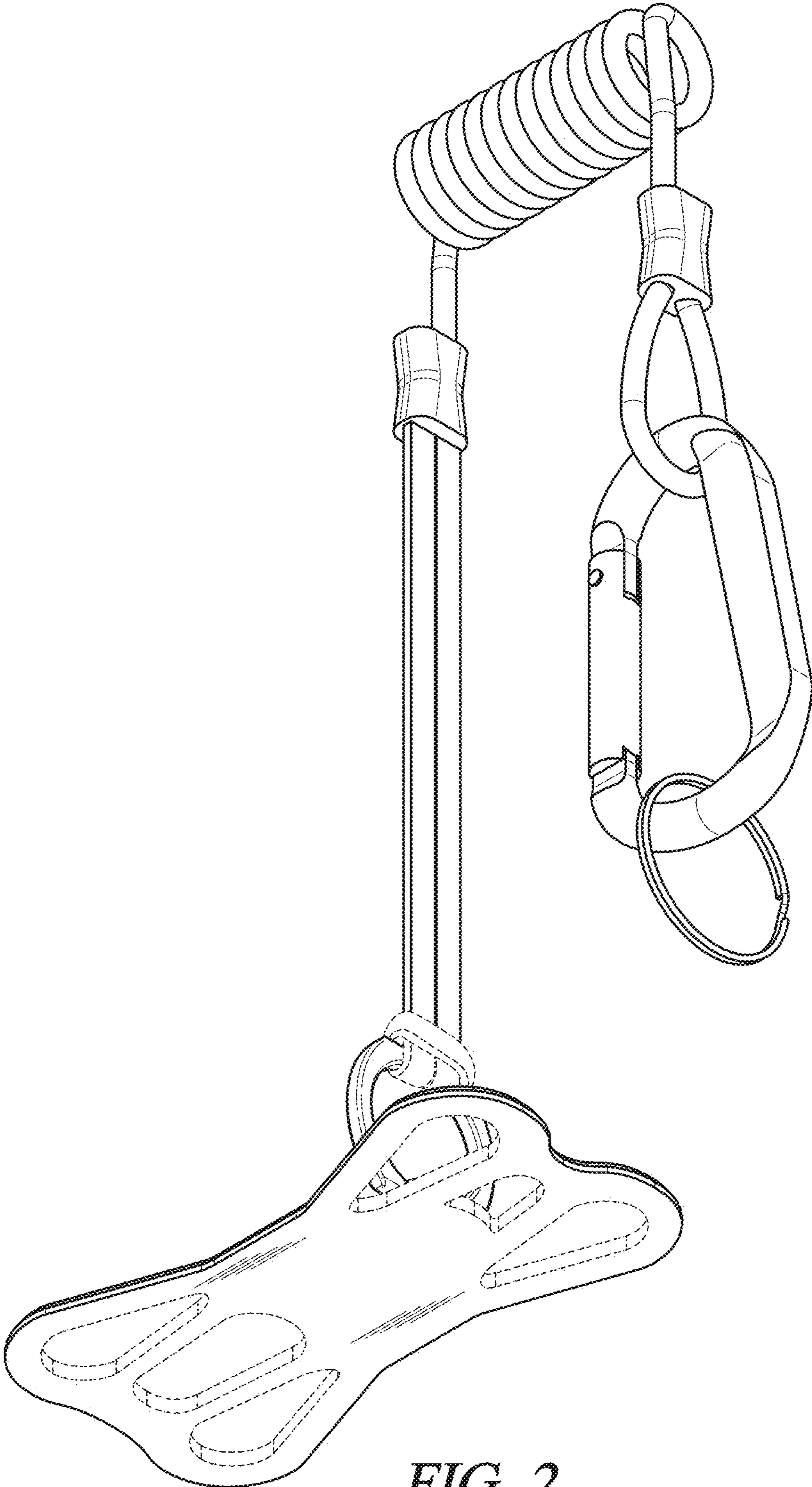


FIG. 2

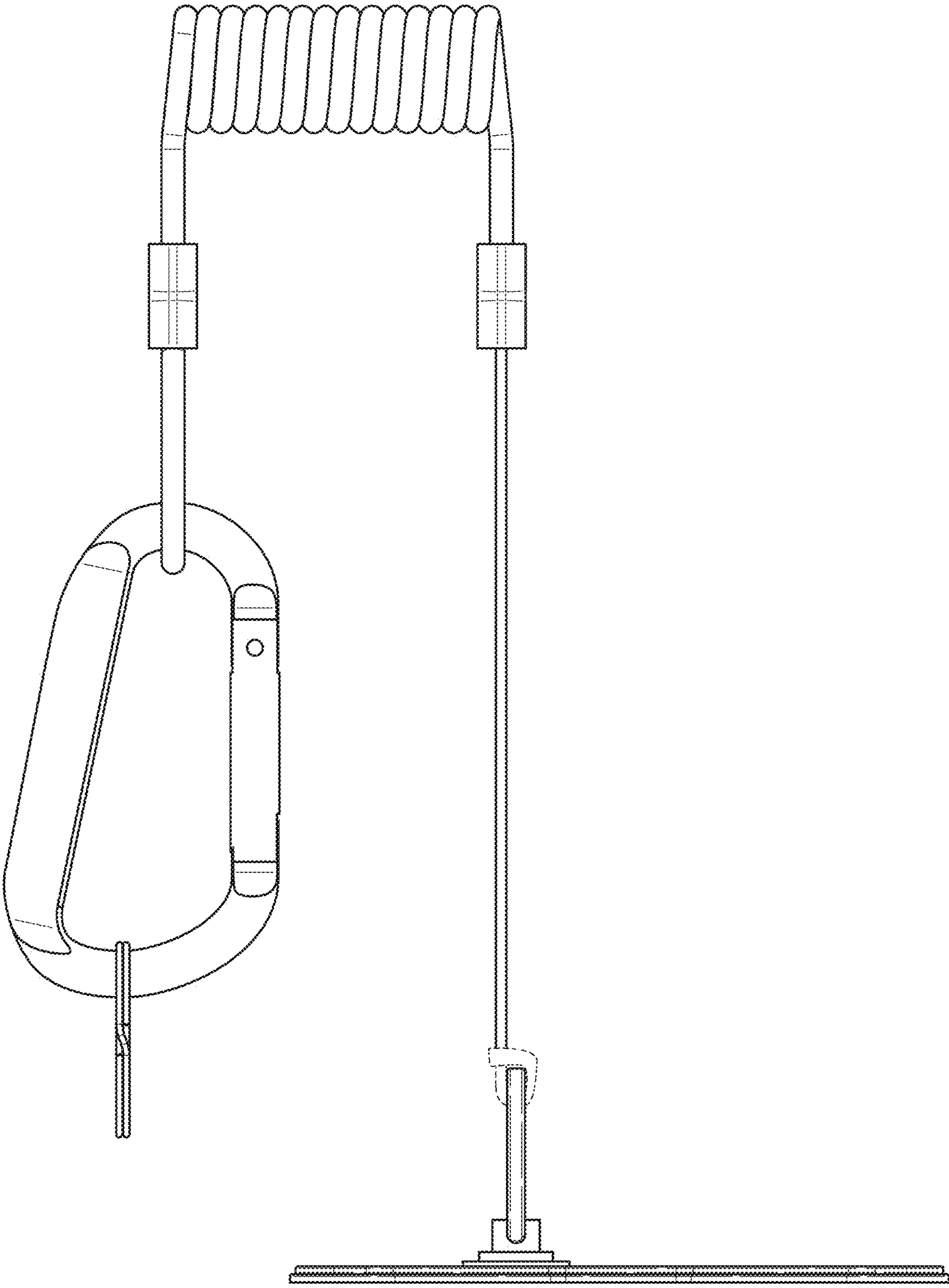


FIG. 3

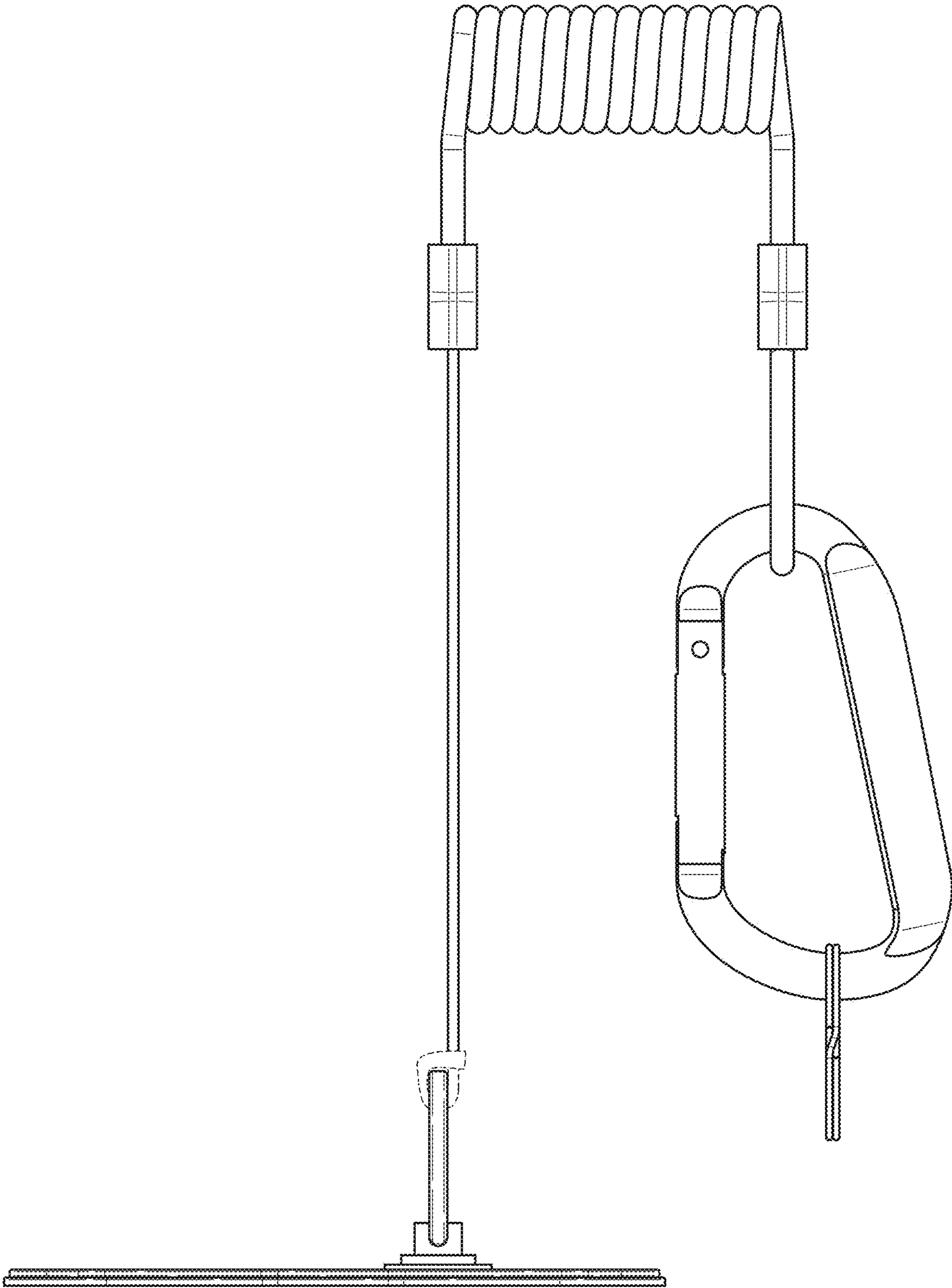


FIG. 4

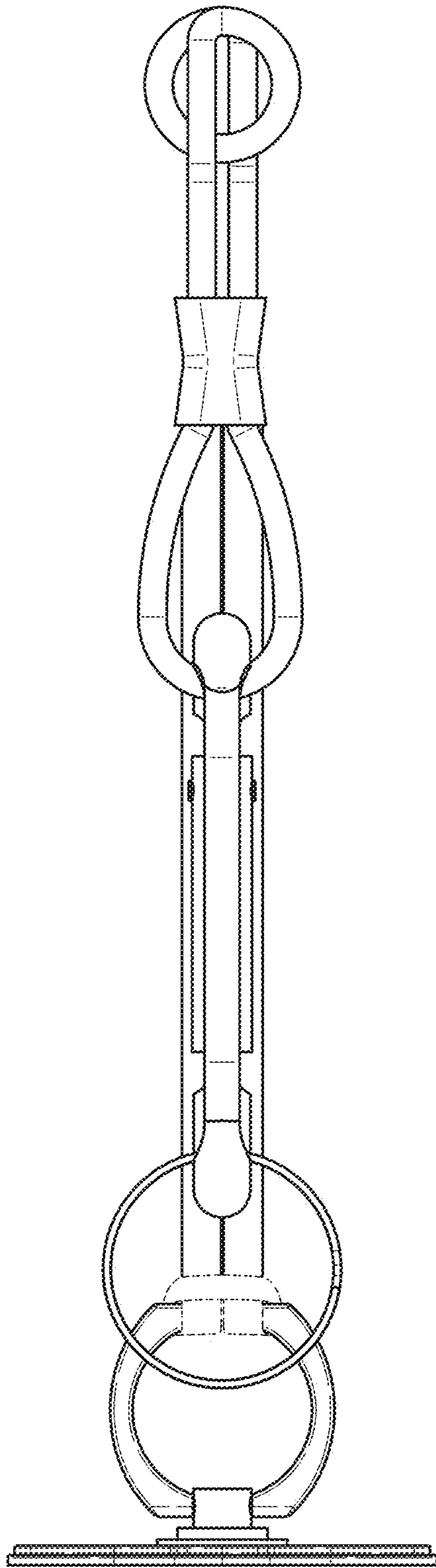


FIG. 5

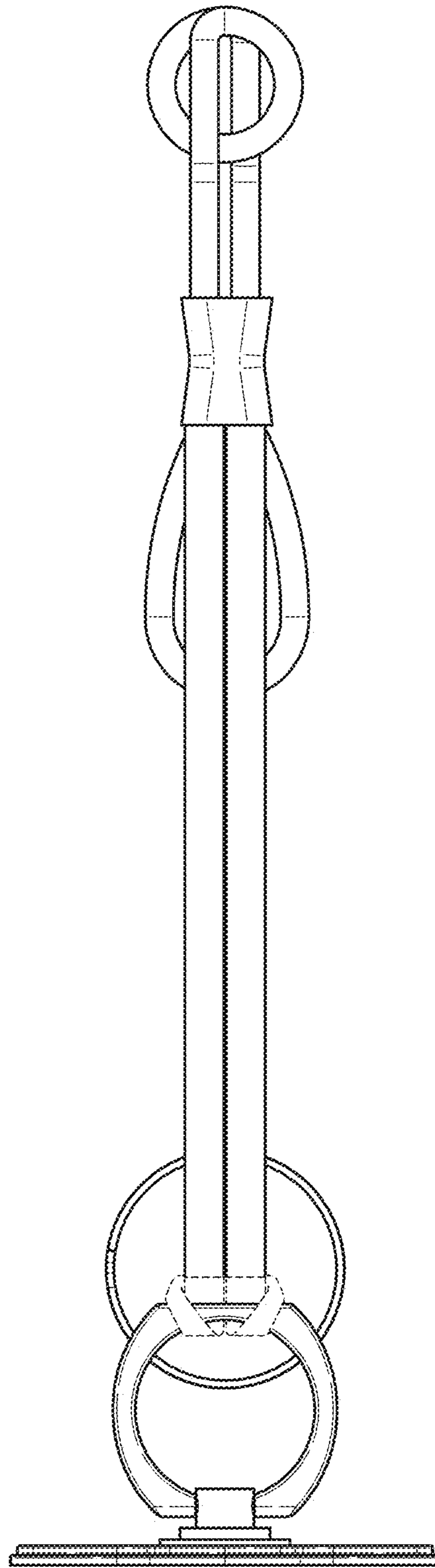


FIG. 6

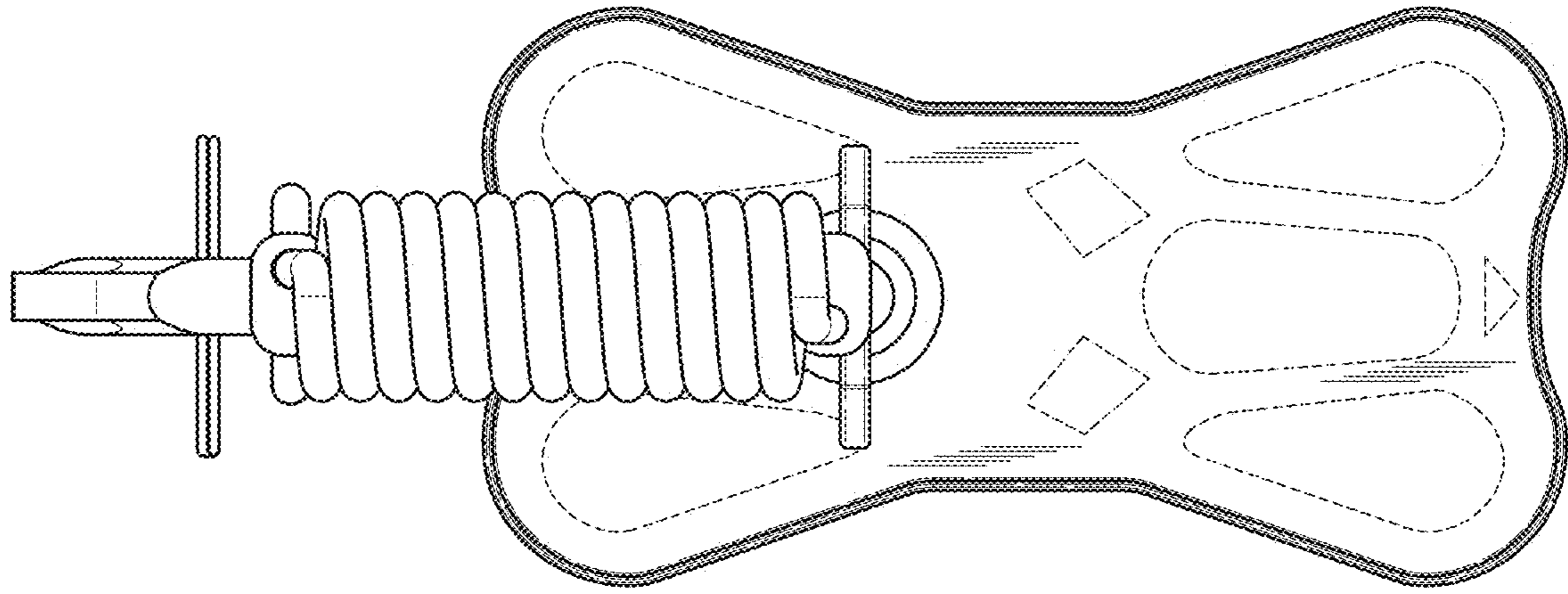


FIG. 7

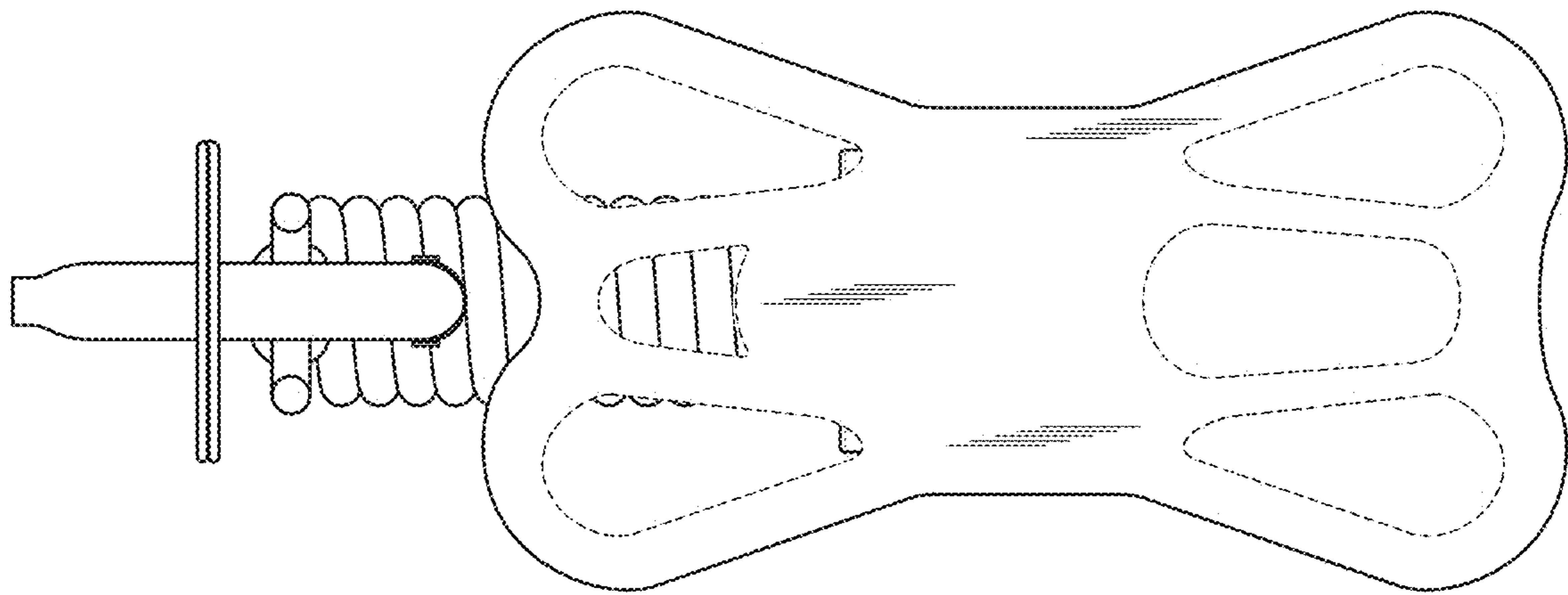


FIG. 8