



US00D955103S

(12) **United States Design Patent** (10) **Patent No.:** **US D955,103 S**
Magcalas (45) **Date of Patent:** **** Jun. 21, 2022**

- (54) **SPRAY BOTTLE WITH BELT CLIP**
- (71) Applicant: **Paul Magcalas**, Pasadena, CA (US)
- (72) Inventor: **Paul Magcalas**, Pasadena, CA (US)
- (**) Term: **15 Years**
- (21) Appl. No.: **29/780,478**
- (22) Filed: **Apr. 25, 2021**

D846,996 S * 4/2019 LaPorte D9/687
 D851,917 S * 6/2019 Paterson D3/215
 2016/0068303 A1* 3/2016 Schroeder B65D 21/0204
 220/23.4

FOREIGN PATENT DOCUMENTS

CN 302977857 S1 10/2014
 KR 300237587.0001 S1 6/1999
 KR 300237587.0002 S1 6/1999

(Continued)

OTHER PUBLICATIONS

Touchland hand sanitizer, Sep. 1, 2020, [online], [site visited Jul. 19, 2021]. Retrieved from url:https://www.nbcnews.com/shopping/wellness/touchland-hand-sanitizer-target-n1238792 (Year: 2020).*

(Continued)

Primary Examiner — Tracey J Bell
 (74) *Attorney, Agent, or Firm* — Law Office of Michael O'Brien; Michael O'Brien

Related U.S. Application Data

- (63) Continuation-in-part of application No. 29/773,214, filed on Mar. 8, 2021.
- (51) **LOC (13) Cl.** **09-04**
- (52) **U.S. Cl.**
USPC **D3/215**; D9/687
- (58) **Field of Classification Search**
USPC D3/215, 218, 201, 203.1, 205; D9/517, D9/682, 687, 715; D28/91.1, 9
CPC A45F 5/021; A45F 5/02; A45F 5/00
See application file for complete search history.

(57) **CLAIM**

The ornamental design for a spray bottle with belt clip, as shown and described.

(56) **References Cited**

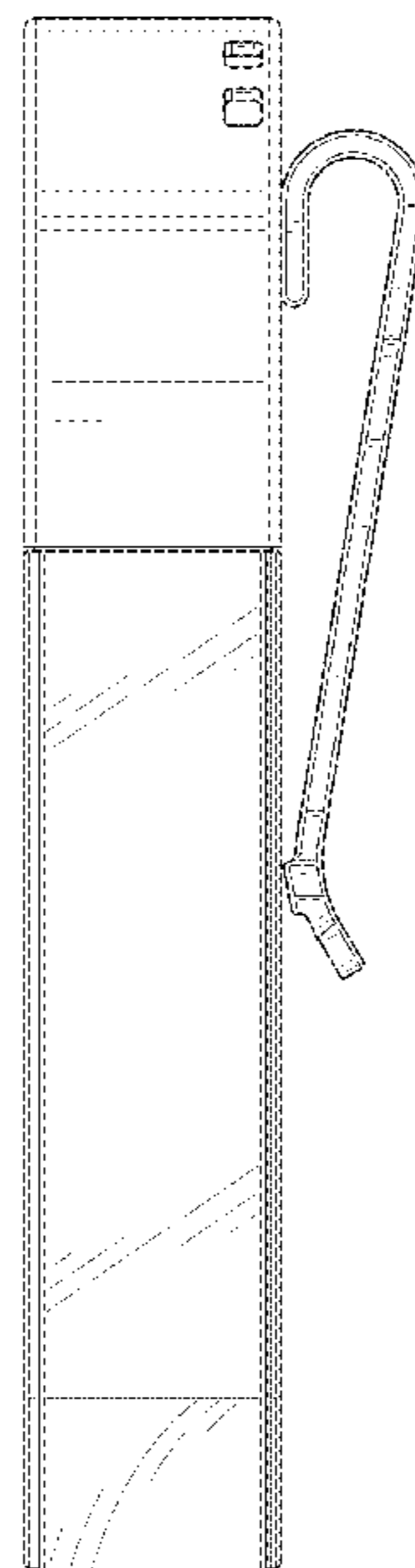
U.S. PATENT DOCUMENTS

D371,674 S * 7/1996 Williams D3/215
 D404,197 S * 1/1999 Dobbins D3/230
 D516,241 S 2/2006 Gaines
 D548,960 S 8/2007 Tages
 D556,019 S 11/2007 Symons
 D565,835 S * 4/2008 Lin D3/201
 D571,225 S * 6/2008 Andersen D9/719
 D593,420 S * 6/2009 Augenbraun D9/529
 D707,041 S 6/2014 Park et al.
 D776,547 S * 1/2017 Schroeder D9/737
 D783,270 S * 4/2017 Vogias D3/215
 D806,556 S * 1/2018 Finch D9/682
 D834,945 S * 12/2018 LaPorte D9/687
 D843,711 S * 3/2019 Paterson D3/215

DESCRIPTION

FIG. 1 is a front perspective view of a new design for a spray bottle with belt clip.
 FIG. 2 is a front view thereof;
 FIG. 3 is a rear view thereof;
 FIG. 4 is a left side view thereof;
 FIG. 5 is a right side view thereof;
 FIG. 6 is a top view thereof; and,
 FIG. 7 is a bottom view thereof.
 The broken lines in the drawings depict portions of the spray bottle with belt clip that form no part of the claimed design.

1 Claim, 7 Drawing Sheets



(56)

References Cited

FOREIGN PATENT DOCUMENTS

KR	300237587.0003	S1	6/1999
KR	300242539	S1	7/1999
KR	300249428.0002	S1	7/2000
KR	300474984	S1	1/2008
KR	300531877	S1	6/2009
KR	300756667	S1	8/2014
KR	300791991	S1	4/2015
WO	D87510-001	S1	10/2015

OTHER PUBLICATIONS

Cleanint Cleanhands CH02RET, no date available, [online], [site visited Jul. 19, 2021]. Retrieved from url:<https://www.webstaurantstore.com/cleanint-cleanhands-ch02ret-blu-blue-clip-on-hand-sanitizer-dispenser-pack/328CH2RETBLU.html> (Year: 2021).*

Facebook Cleanint Photo Clean Hands, Jun. 15, 2020, [online], [site visited Jul. 19, 2021]. Retrieved from url:<https://www.facebook.com/Cleanint/photos/a.10153082008877188/10158570596372188/?type=3&theater> (Year: 2020).*

* cited by examiner

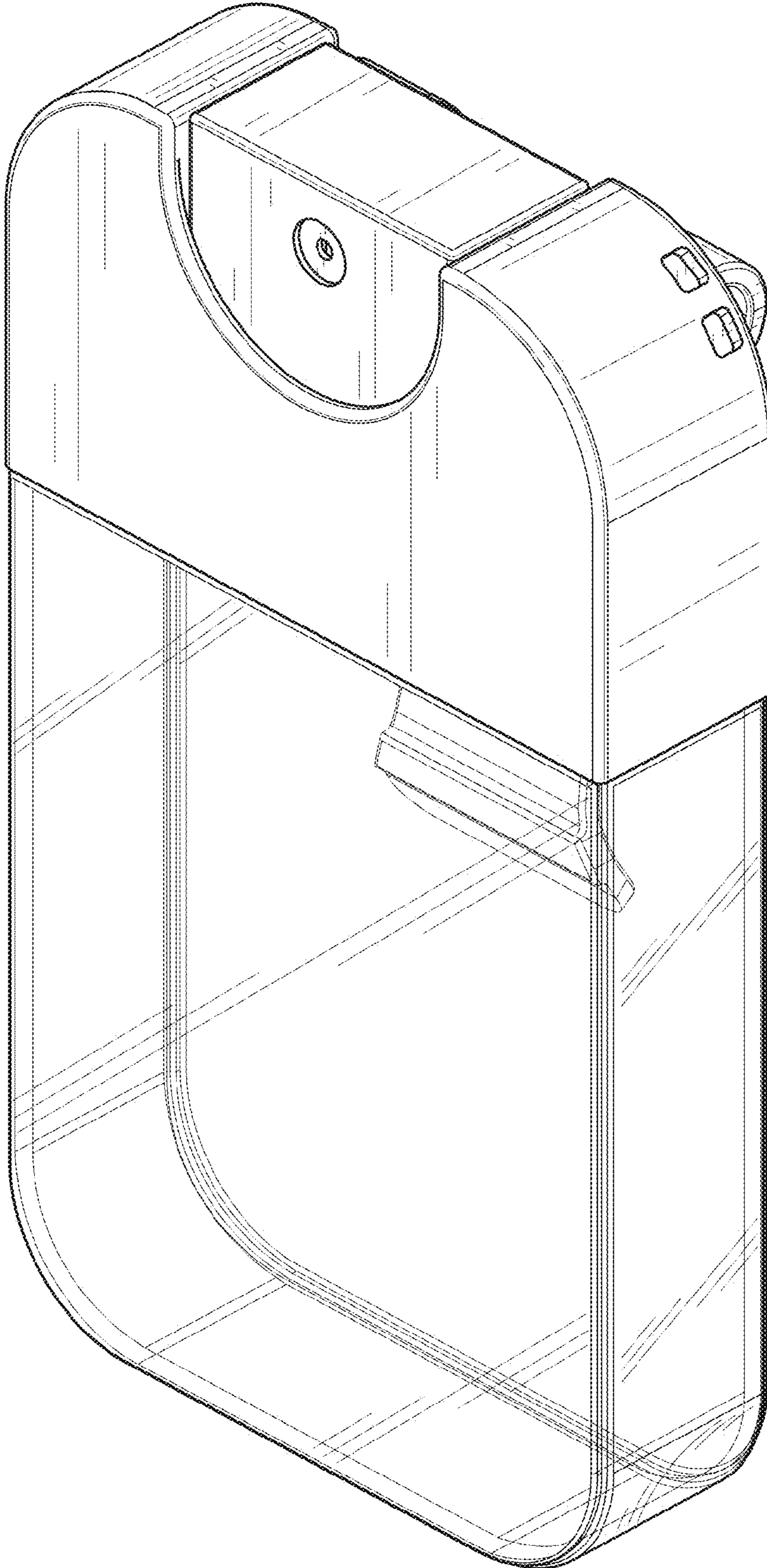


FIG. 1

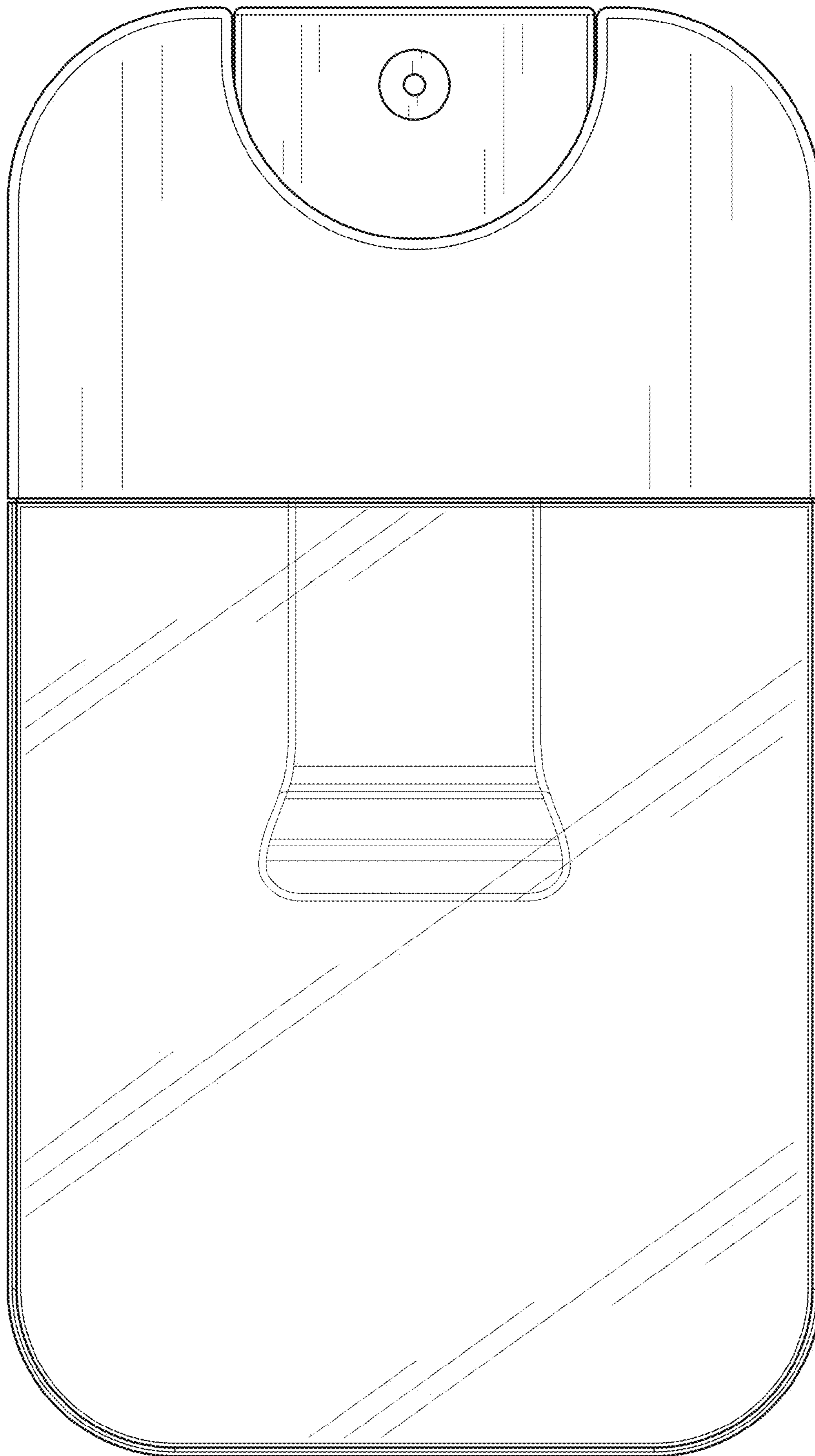


FIG. 2

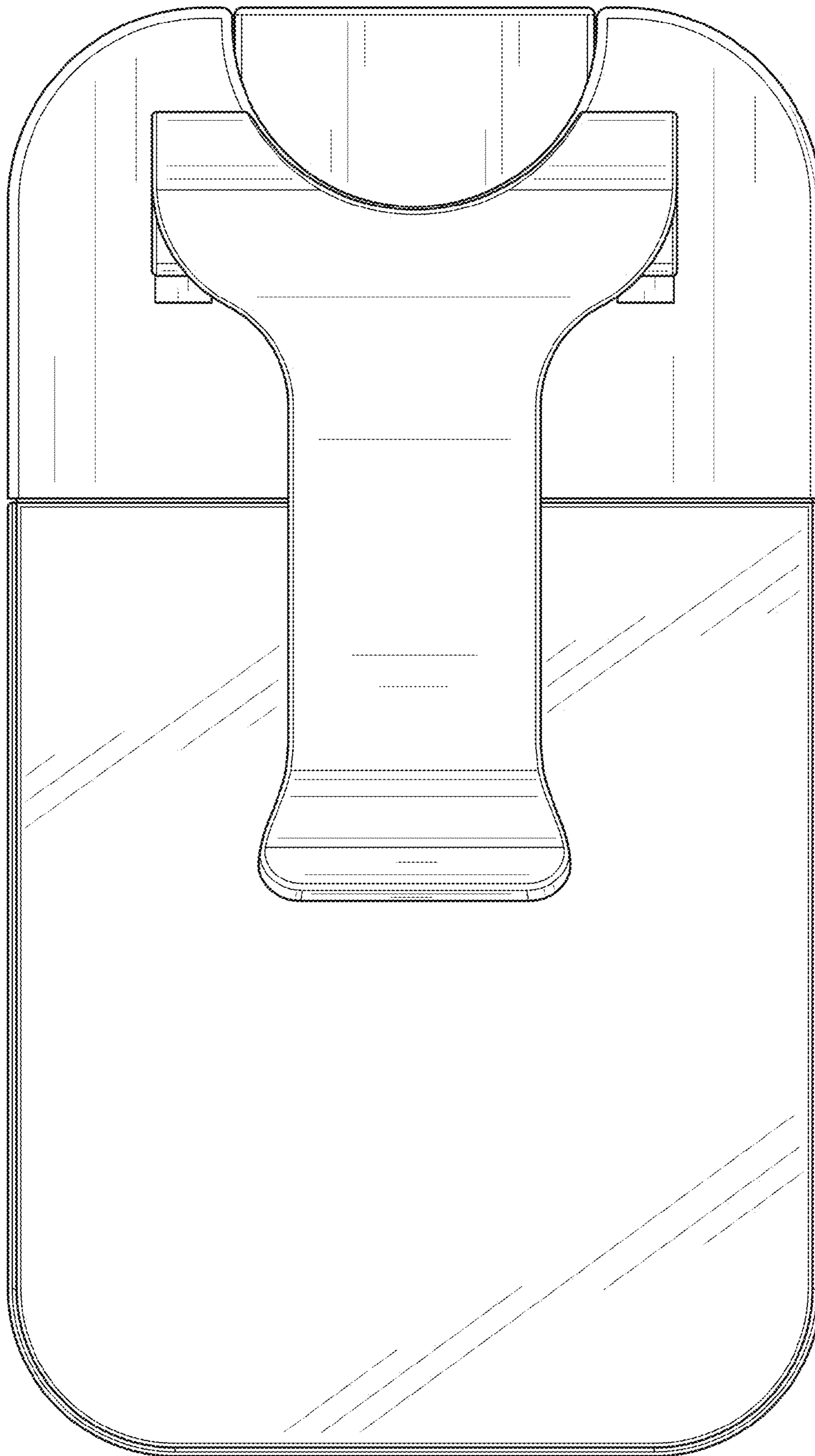


FIG. 3

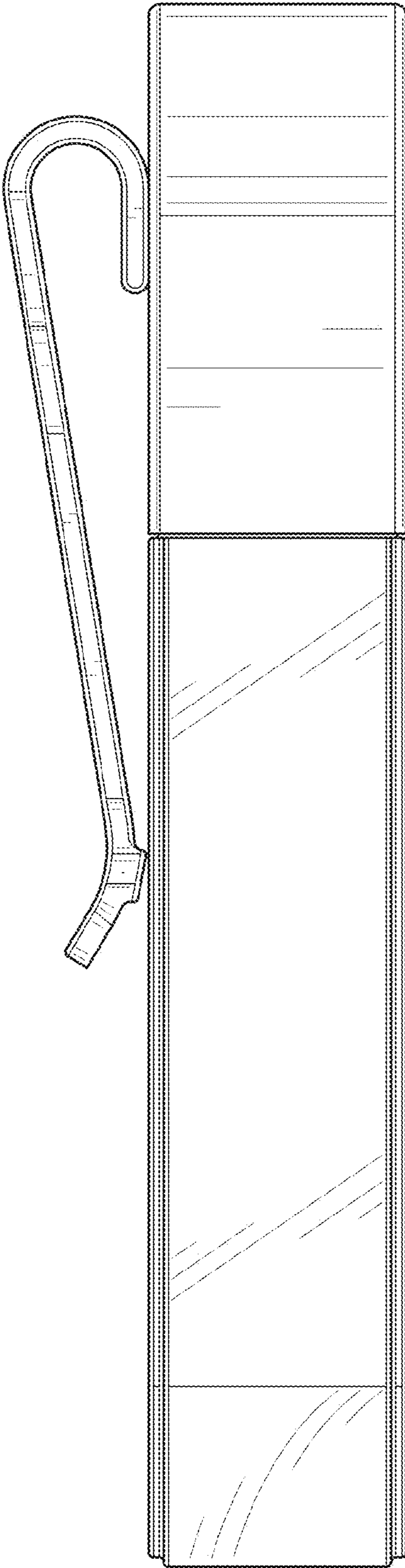


FIG. 4

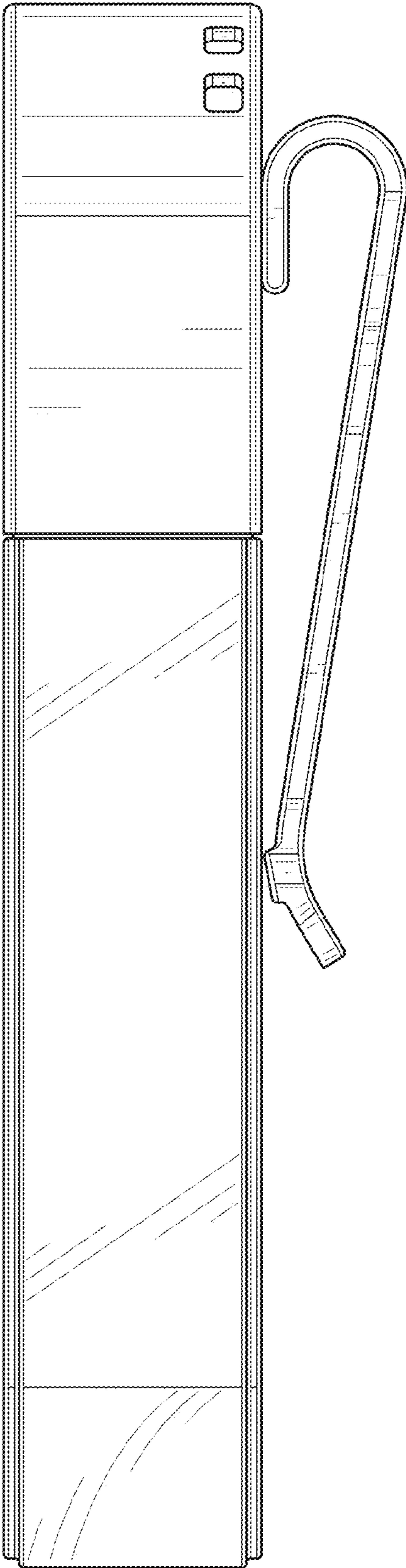


FIG. 5

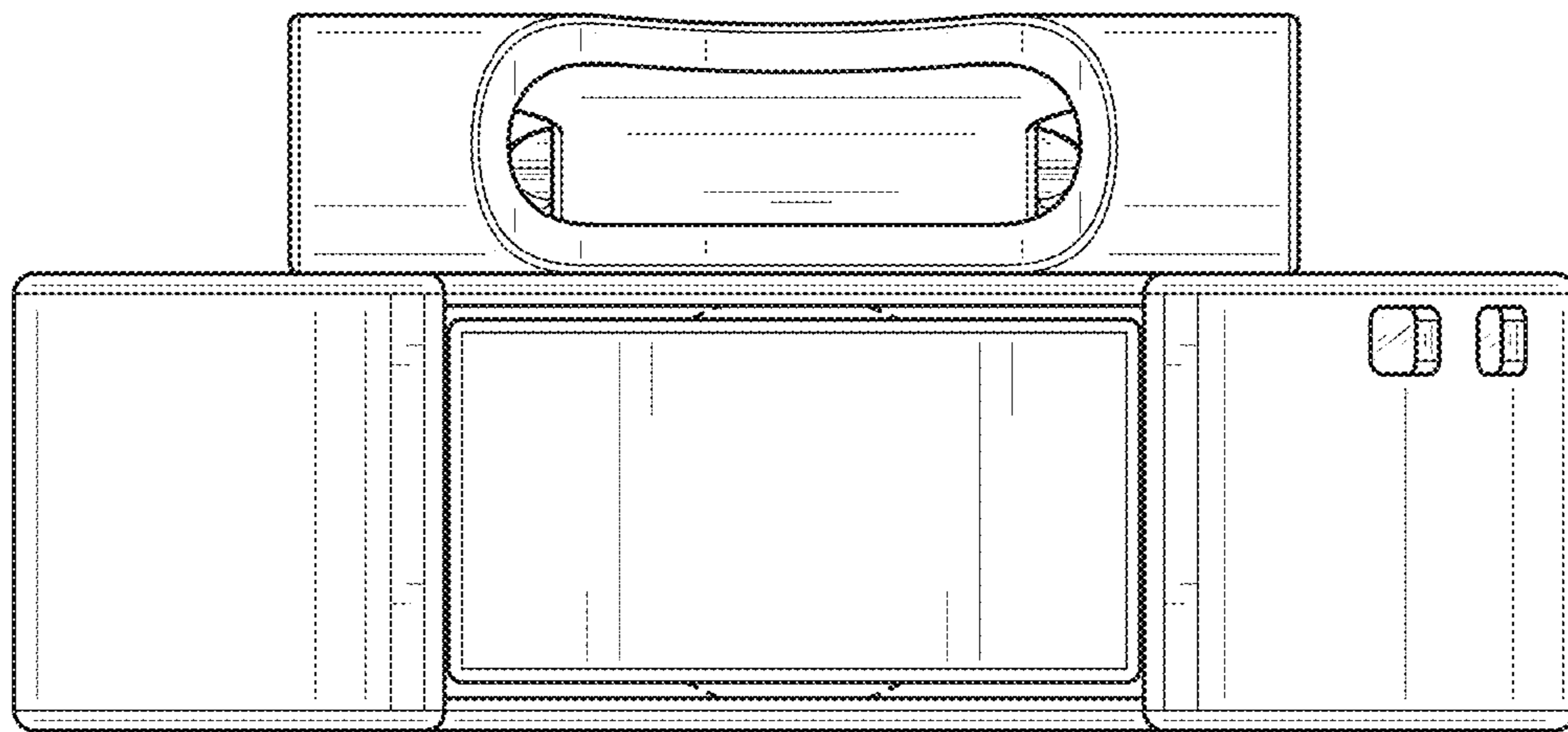


FIG. 6

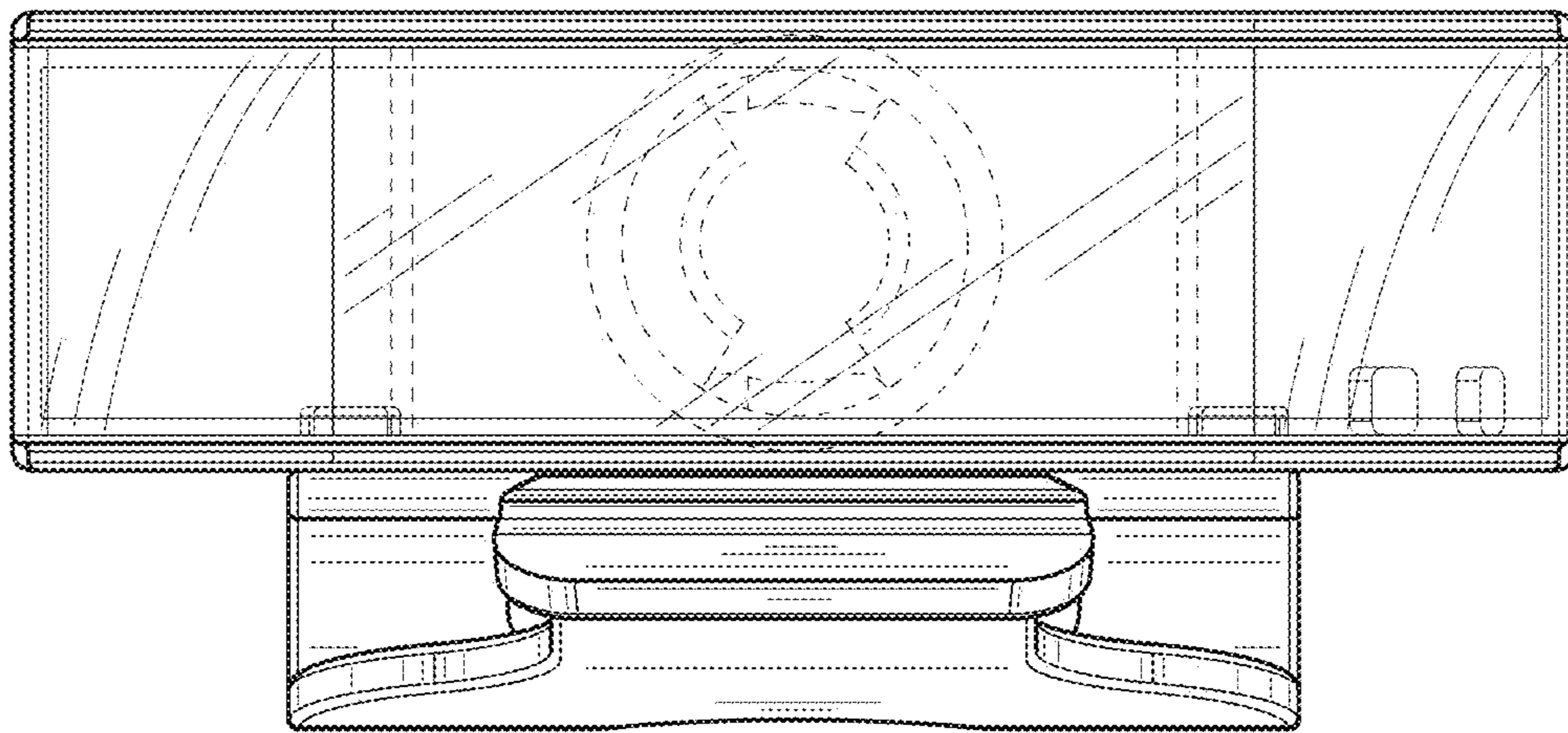


FIG. 7