



US00D955102S

(12) **United States Design Patent** (10) **Patent No.:** **US D955,102 S**  
**Kleremo et al.** (45) **Date of Patent:** **\*\* Jun. 21, 2022**

(54) **BABY CARRIER**

D851,916 S \* 6/2019 Andersson ..... D3/214  
11,297,957 B2 \* 4/2022 Telford ..... A47D 13/025  
2012/0061429 A1 \* 3/2012 Sauer ..... A47D 13/025  
224/160

(71) Applicant: **BabyBjörn AB**, Solna (SE)

(Continued)

(72) Inventors: **Josefin Kleremo**, Bredaryd (SE); **Frida Ahremark**, Sundbyberg (SE); **Ulrika Vejbrink**, Hägersten (SE); **Lisen Elmberg**, Stockholm (SE); **Jonas Dolk**, Dalarö (SE)

OTHER PUBLICATIONS

“A new BabyBjorn is born” article by Laura Turner for CWB, posted May 31, 2021, cwb-online.co [online], [site visited Mar. 4, 2022], Available at URL: <https://cwb-online.co/a-new-babybjorn-is-born/> (Year: 2021).\*

(73) Assignee: **BabyBjörn AB**, Solna (SE)

*Primary Examiner* — Jeffrey D Asch  
*Assistant Examiner* — Caitlin A Laverty

(\*\*) Term: **15 Years**

(21) Appl. No.: **29/728,052**

(74) *Attorney, Agent, or Firm* — Studebaker & Brackett PC

(22) Filed: **Mar. 16, 2020**

(30) **Foreign Application Priority Data**

(57) **CLAIM**

Sep. 18, 2019 (EM) ..... 006882932

The ornamental design for a baby carrier, as shown and described.

(51) **LOC (13) Cl.** ..... **03-99**

**DESCRIPTION**

(52) **U.S. Cl.**  
USPC ..... **D3/214**

(58) **Field of Classification Search**  
USPC ..... D3/213–218, 221, 224–228, 254, 273,  
D3/293–294, 300, 303, 318, 321, 327  
CPC .... A47D 13/02; A47D 13/025; A47D 13/086;  
A47D 15/00; A47D 15/006; A45F 3/04;  
A45F 3/12; A45F 3/047; A45F 5/00  
See application file for complete search history.

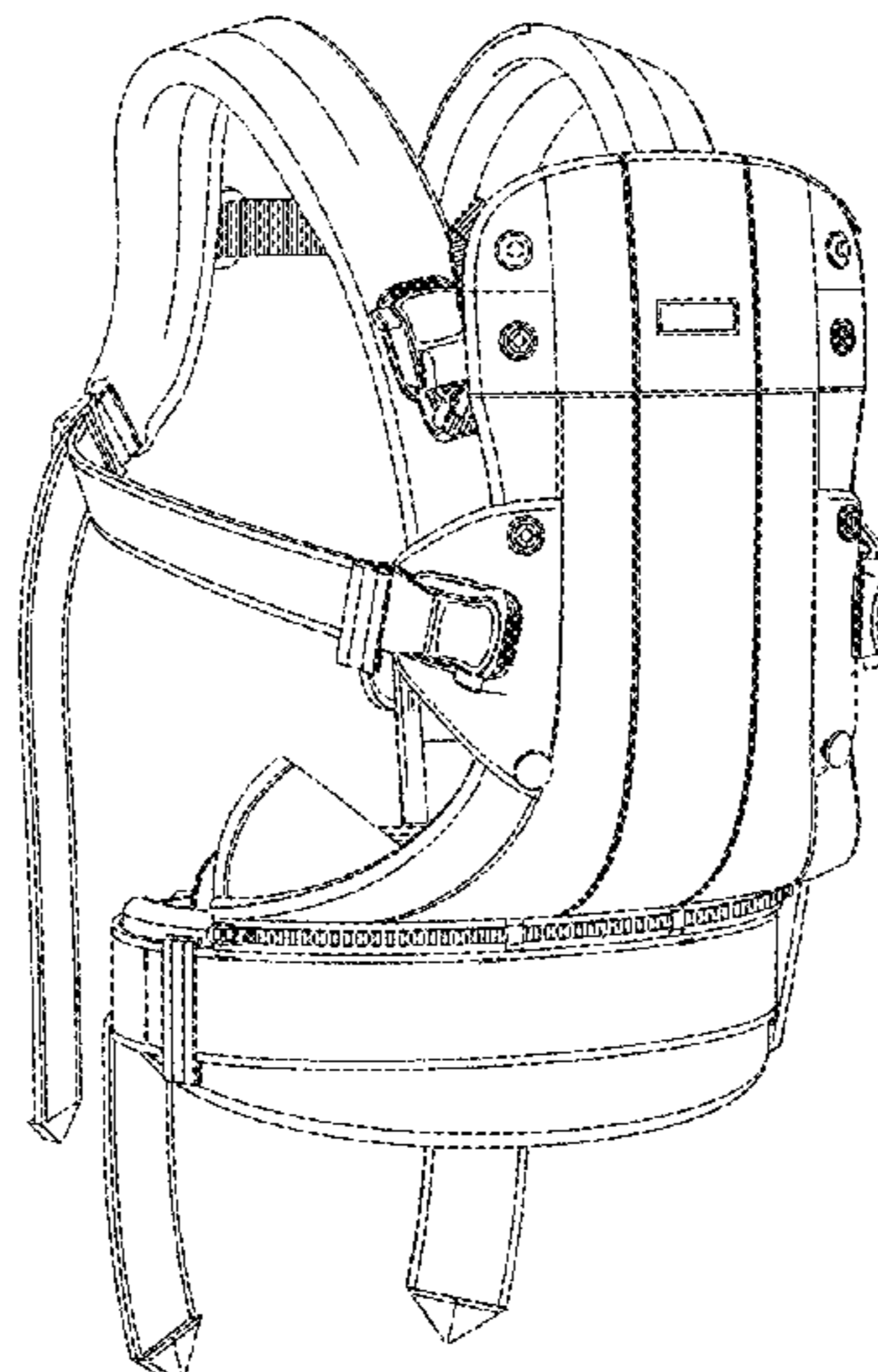
FIG. 1 is a front perspective view showing our new design for a baby carrier,  
FIG. 2 is a rear perspective view thereof,  
FIG. 3 is a front thereof,  
FIG. 4 is a rear view thereof,  
FIG. 5 is a left side view thereof, the opposite side being a mirror image,  
FIG. 6 is a top view thereof,  
FIG. 7 is a bottom view thereof,  
FIG. 8 is a front perspective view of an alternate embodiment of a baby carrier,  
FIG. 9 is a rear perspective view thereof,  
FIG. 10 is a front view thereof,  
FIG. 11 is a rear view thereof,  
FIG. 12 is a left side view thereof, the opposite side being a mirror image,  
FIG. 13 is a top view thereof; and,  
FIG. 14 is a bottom view thereof.

(56) **References Cited**

U.S. PATENT DOCUMENTS

D649,345 S \* 11/2011 Bergkvist ..... D3/214  
D655,495 S \* 3/2012 Sauer ..... D3/214  
D664,351 S \* 7/2012 Bergkvist ..... D3/214  
D692,227 S \* 10/2013 Andren ..... D3/214  
D711,090 S \* 8/2014 Schroder ..... D3/213  
D714,045 S \* 9/2014 Stave ..... D3/214  
D733,419 S \* 7/2015 Wikner ..... D3/214  
D803,549 S \* 11/2017 Warfaa ..... D3/214  
D807,025 S \* 1/2018 Elmberg ..... D3/214

**1 Claim, 14 Drawing Sheets**



(56)

**References Cited**

U.S. PATENT DOCUMENTS

2014/0014692 A1\* 1/2014 Andren ..... A47D 13/025  
224/160  
2014/0263491 A1\* 9/2014 Telford ..... A47D 13/025  
224/160  
2014/0263492 A1\* 9/2014 Bailey ..... A47D 13/025  
224/160  
2014/0319189 A1\* 10/2014 Hoppener-Visser .....  
A47D 13/025  
224/160  
2016/0227940 A1\* 8/2016 Wikner ..... A47D 13/025  
2017/0119173 A1\* 5/2017 Telford ..... A47D 13/025  
2018/0116426 A1\* 5/2018 Telford ..... A47D 13/025  
2018/0184813 A1\* 7/2018 Salazar ..... A47D 13/025  
2019/0014920 A1\* 1/2019 Matsuyama ..... A47D 13/025  
2019/0075937 A1\* 3/2019 Salazar ..... A47D 13/025  
2019/0075938 A1\* 3/2019 Cheng ..... A47D 13/025  
2019/0328118 A1\* 10/2019 Robinson ..... A47D 13/025  
2020/0163466 A1\* 5/2020 Telford ..... A47D 13/025  
2021/0186234 A1\* 6/2021 Dolk ..... A47D 13/025  
2021/0369002 A1\* 12/2021 Fulcher, Jr. .... A47D 11/00  
2021/0393049 A1\* 12/2021 Telford ..... A47D 15/006

\* cited by examiner

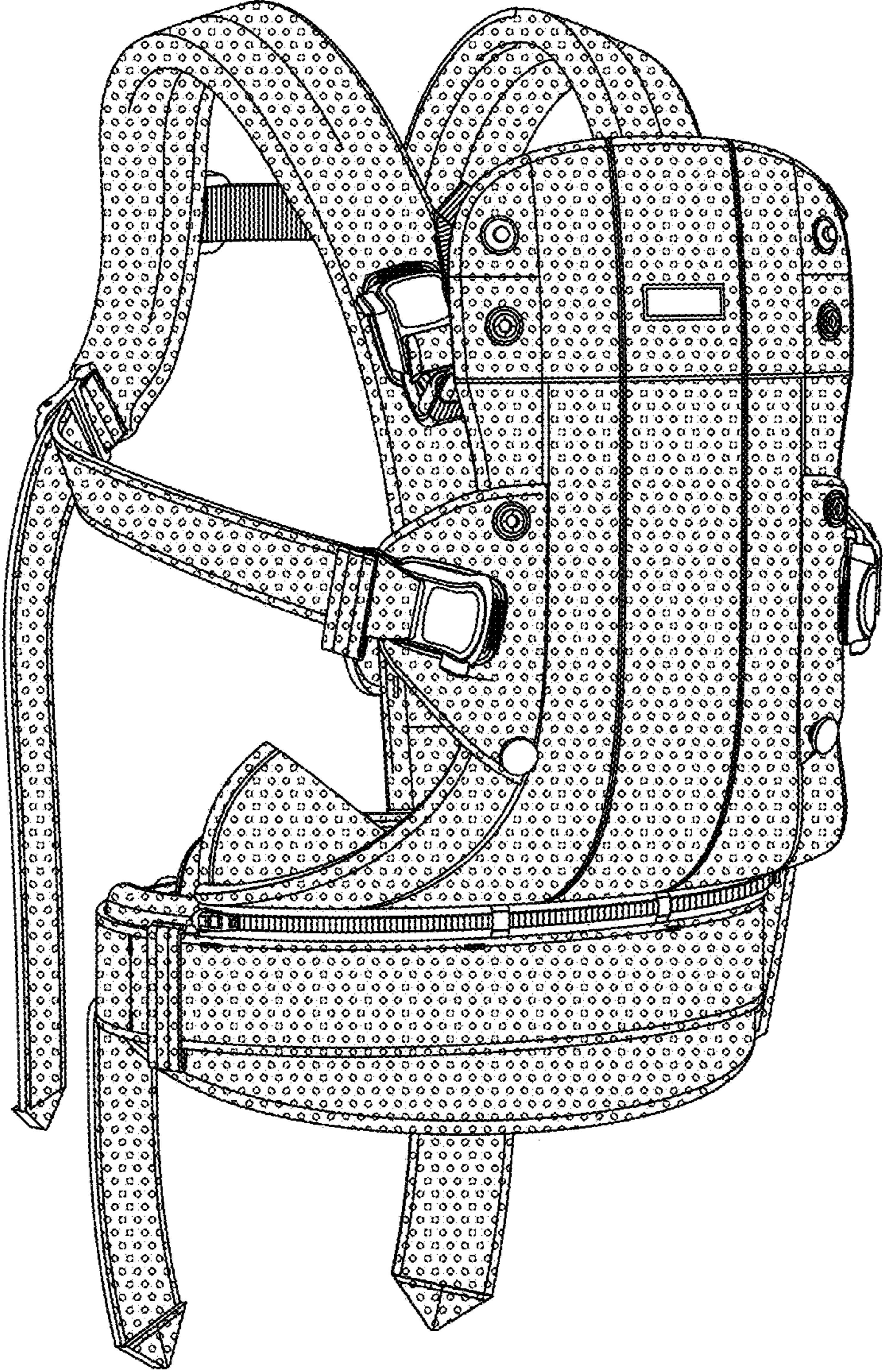


FIG. 1

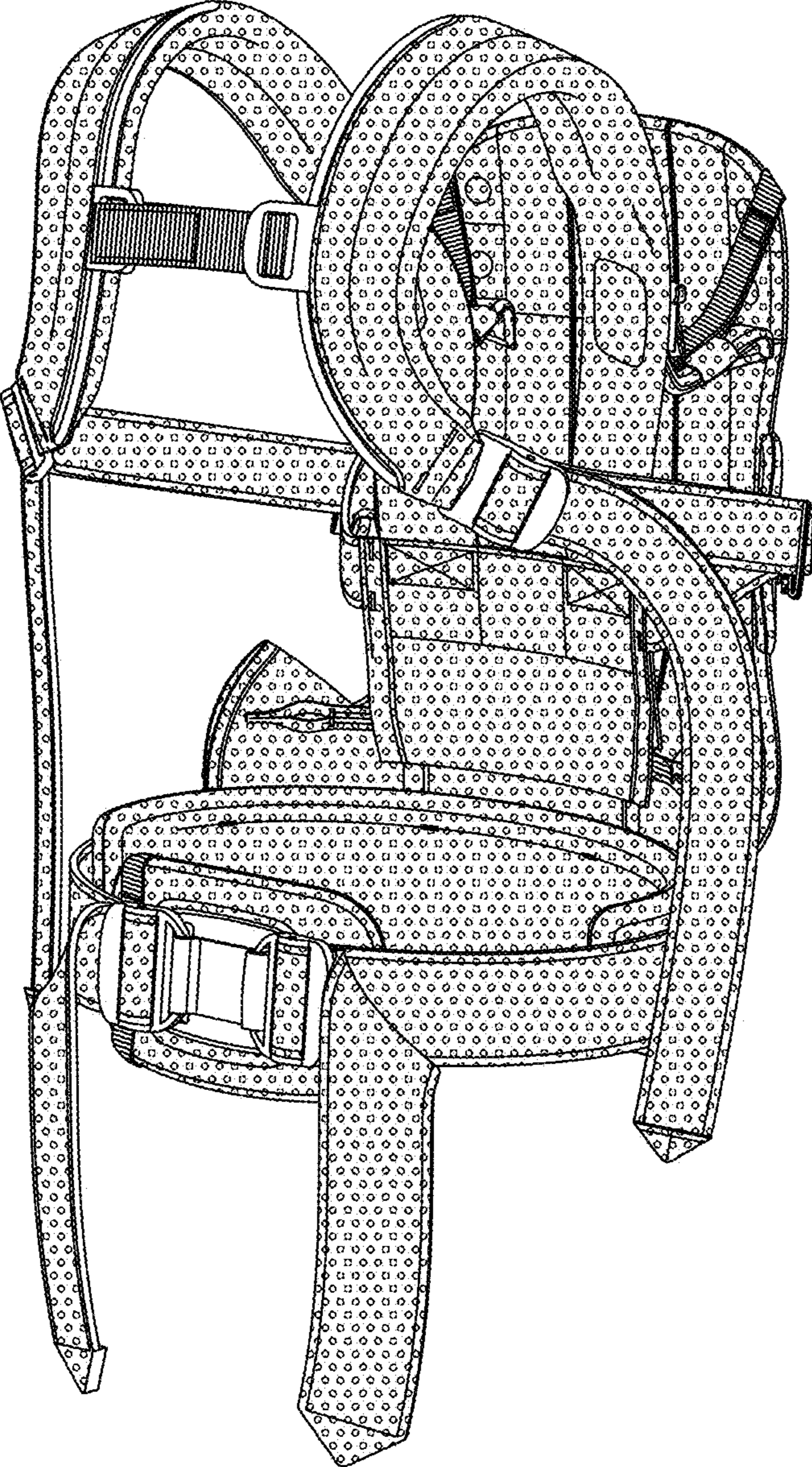


FIG. 2

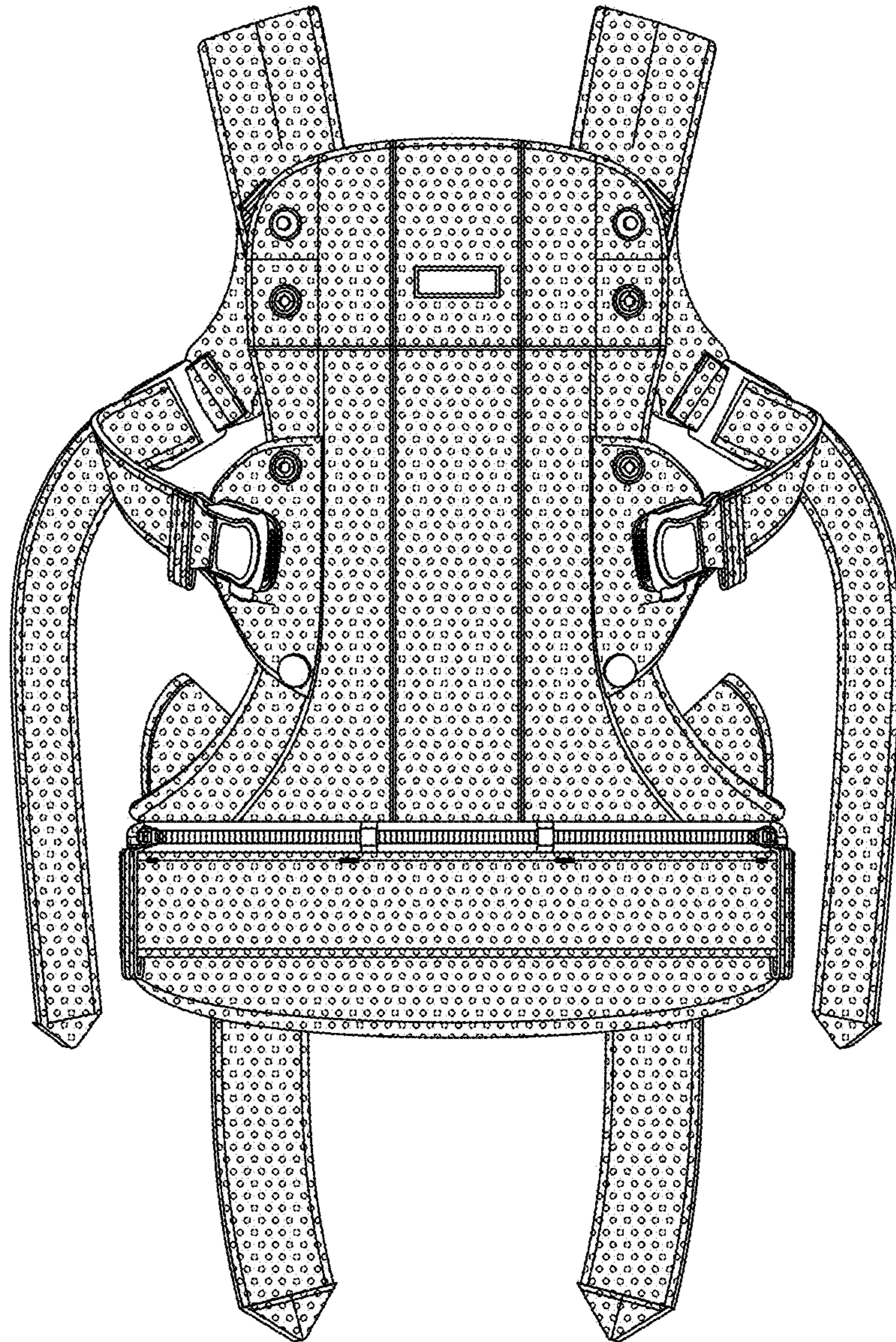


FIG. 3

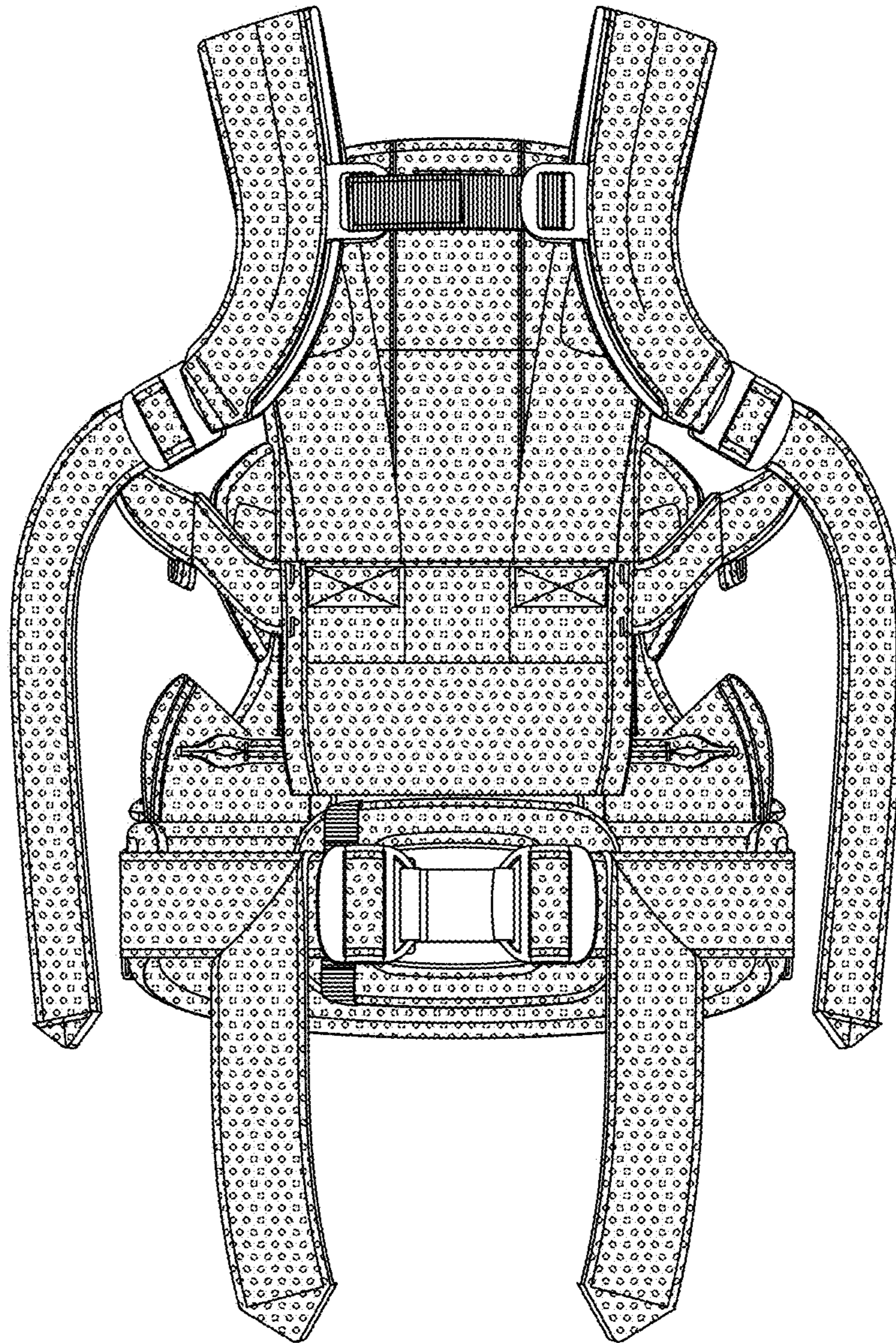


FIG. 4

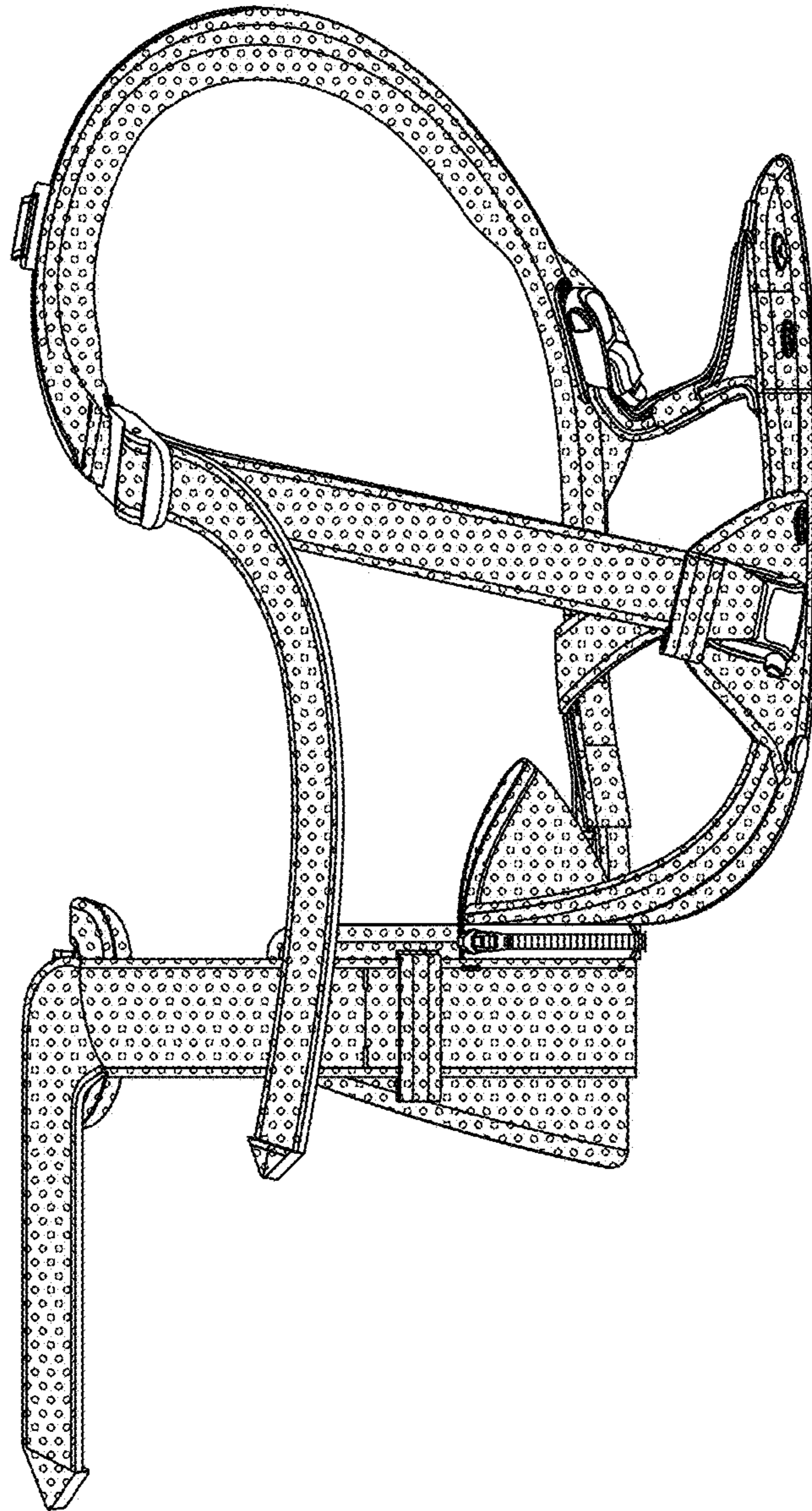


FIG. 5

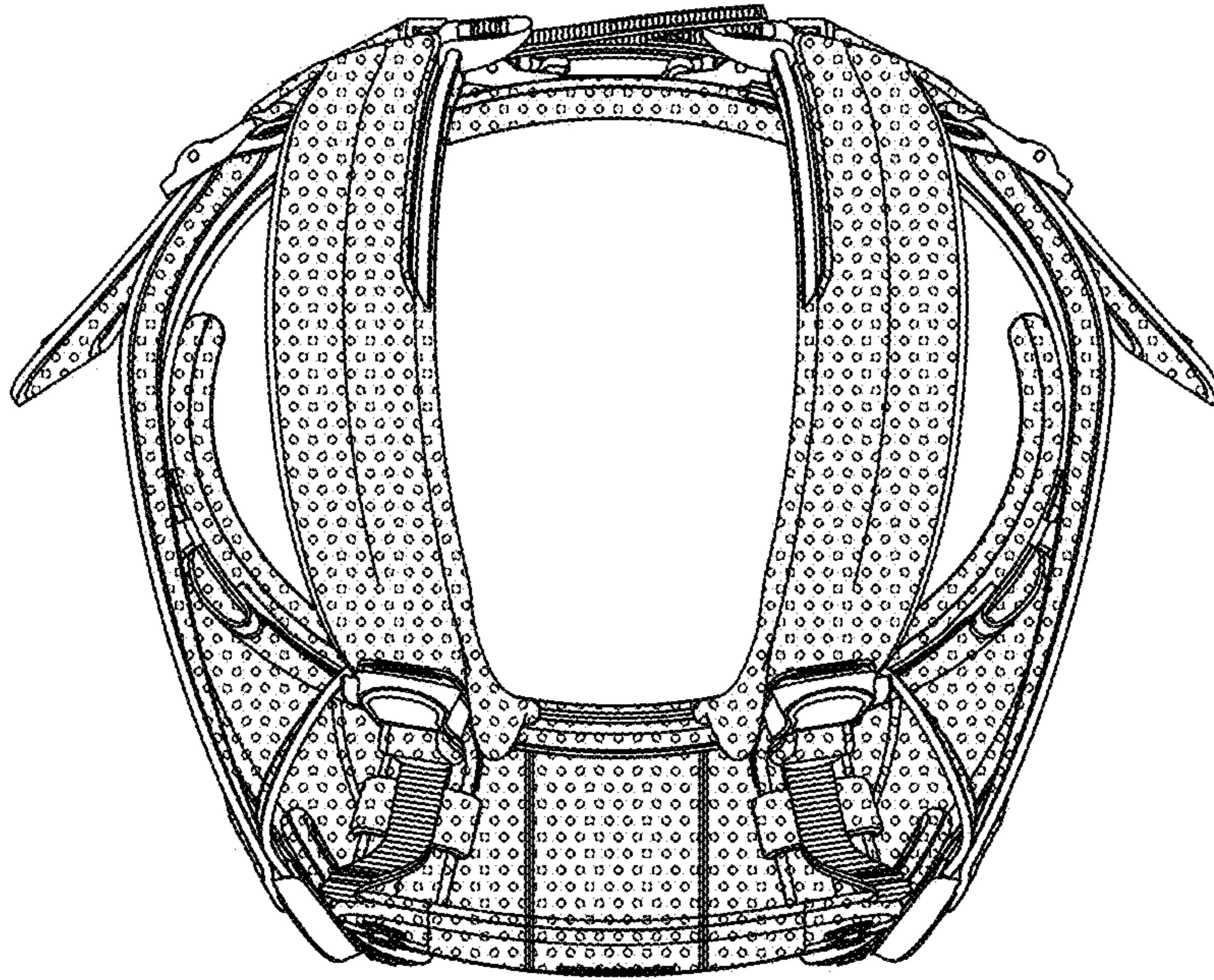


FIG. 6



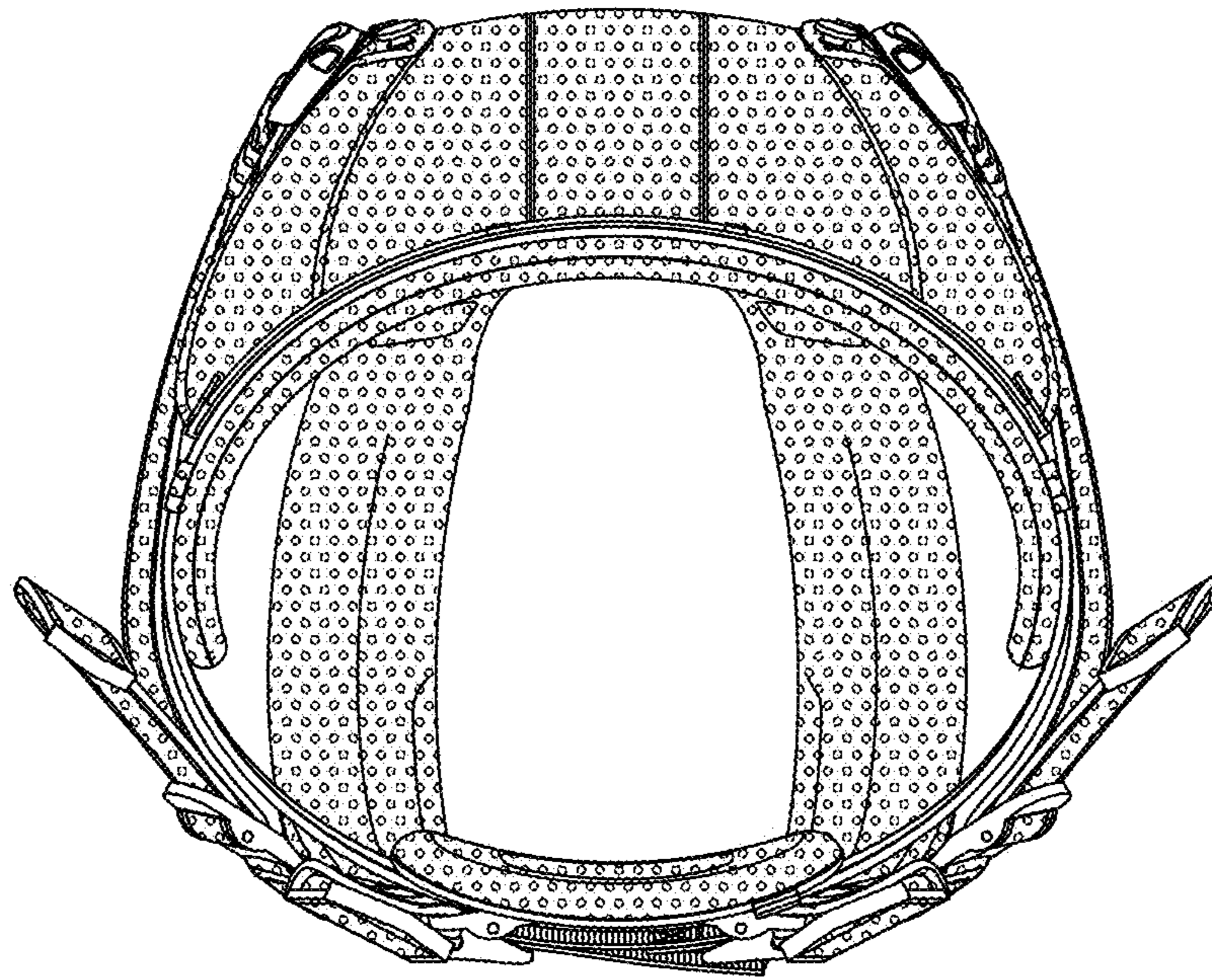


FIG. 7

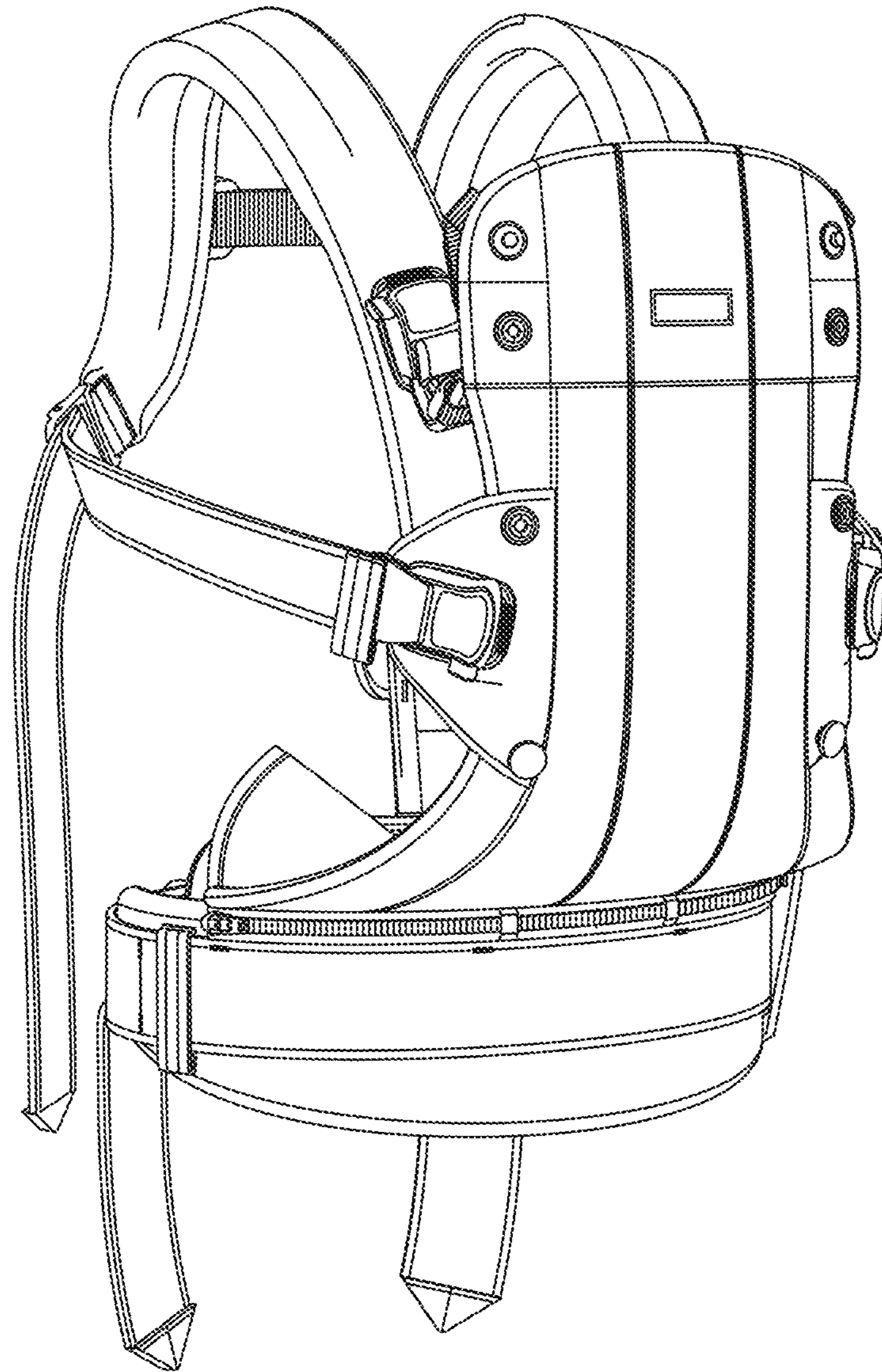


FIG. 8

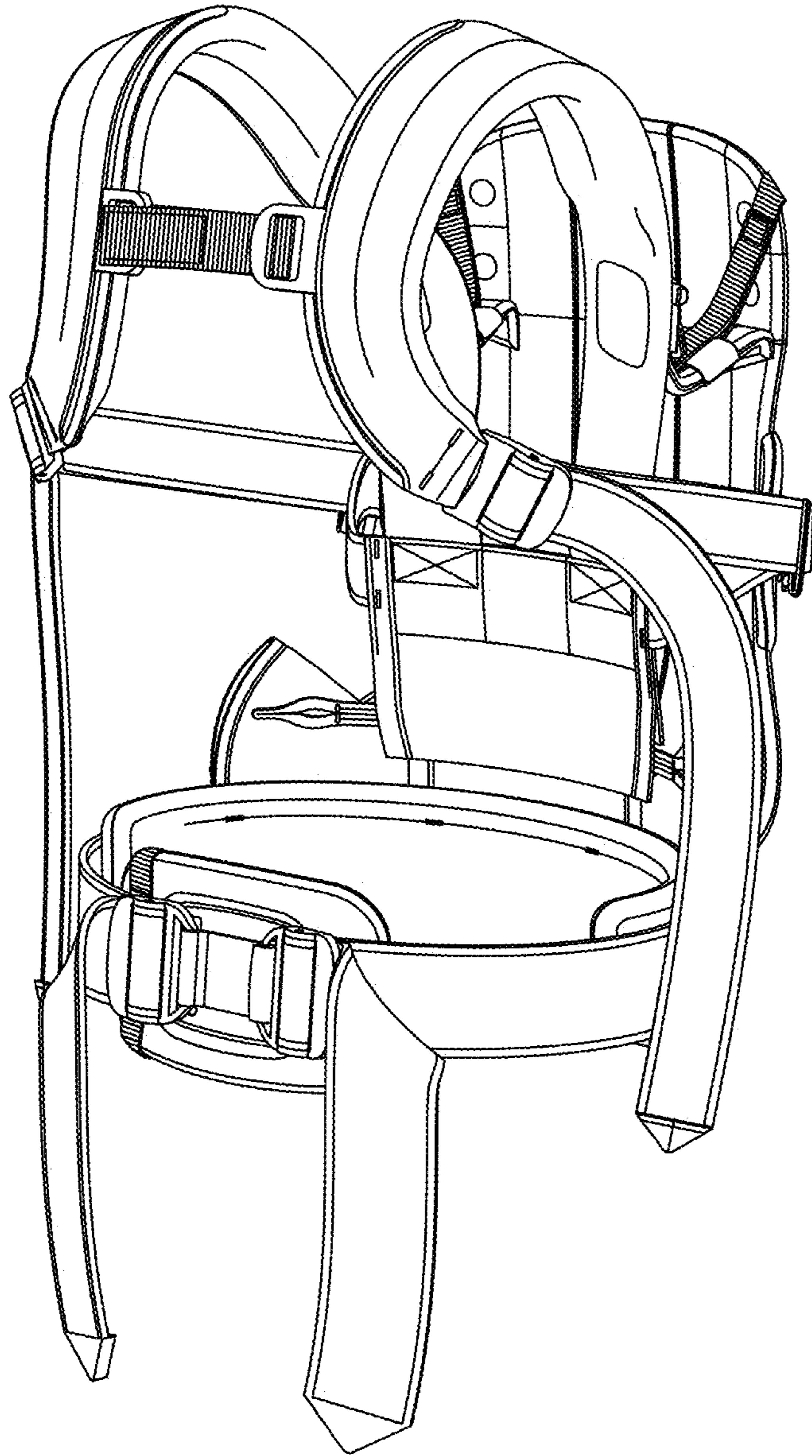


FIG. 9

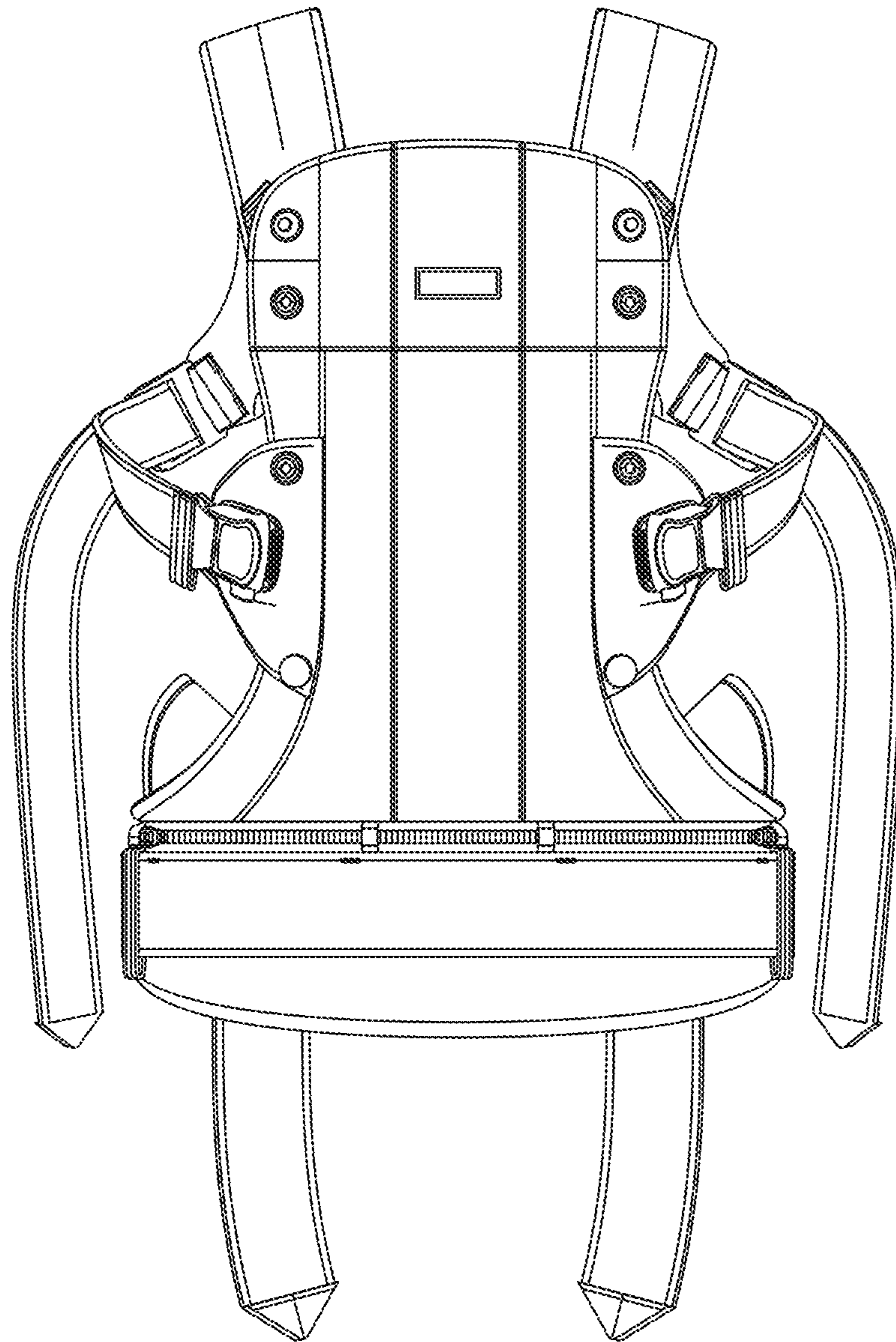


FIG. 10

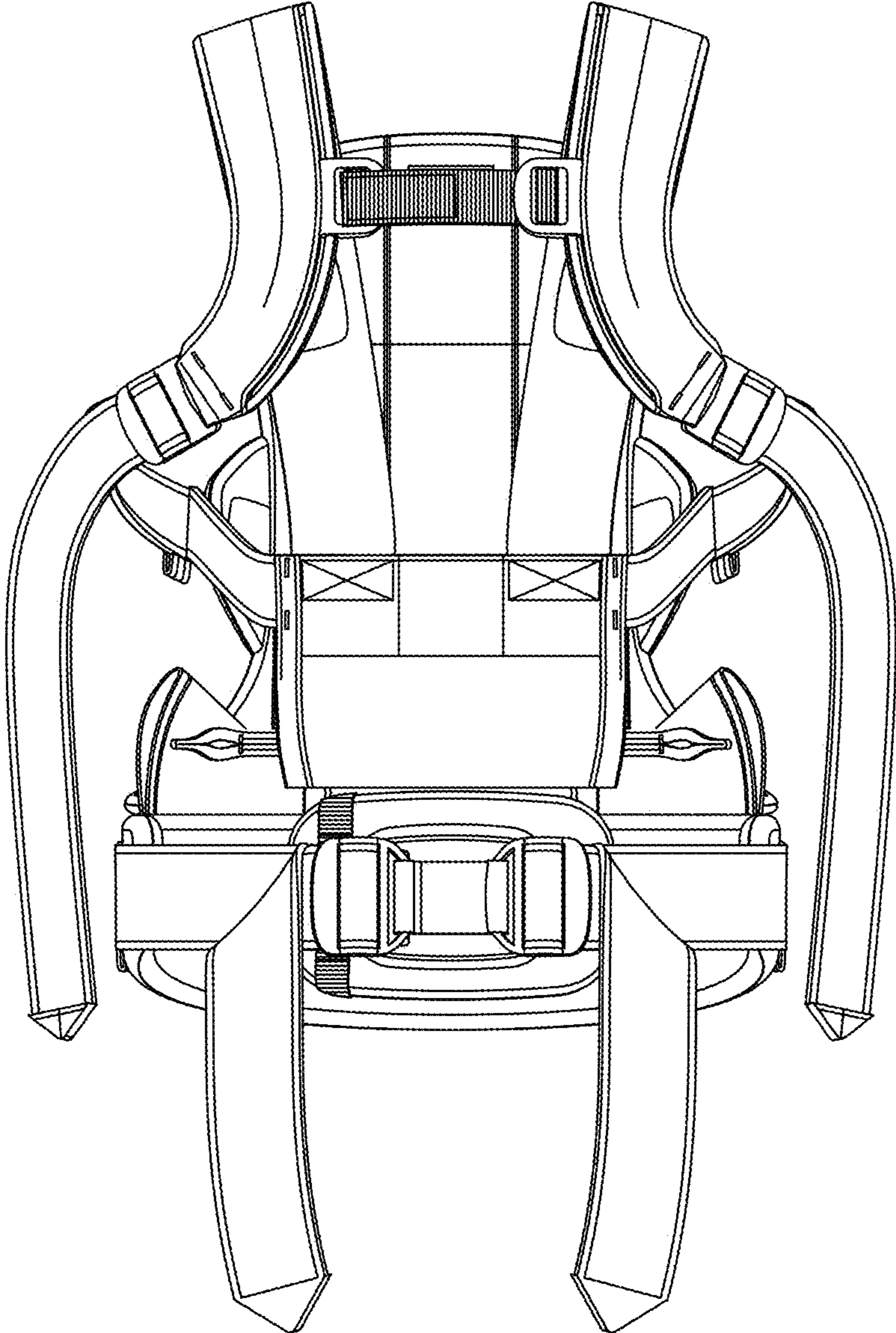


FIG. 11

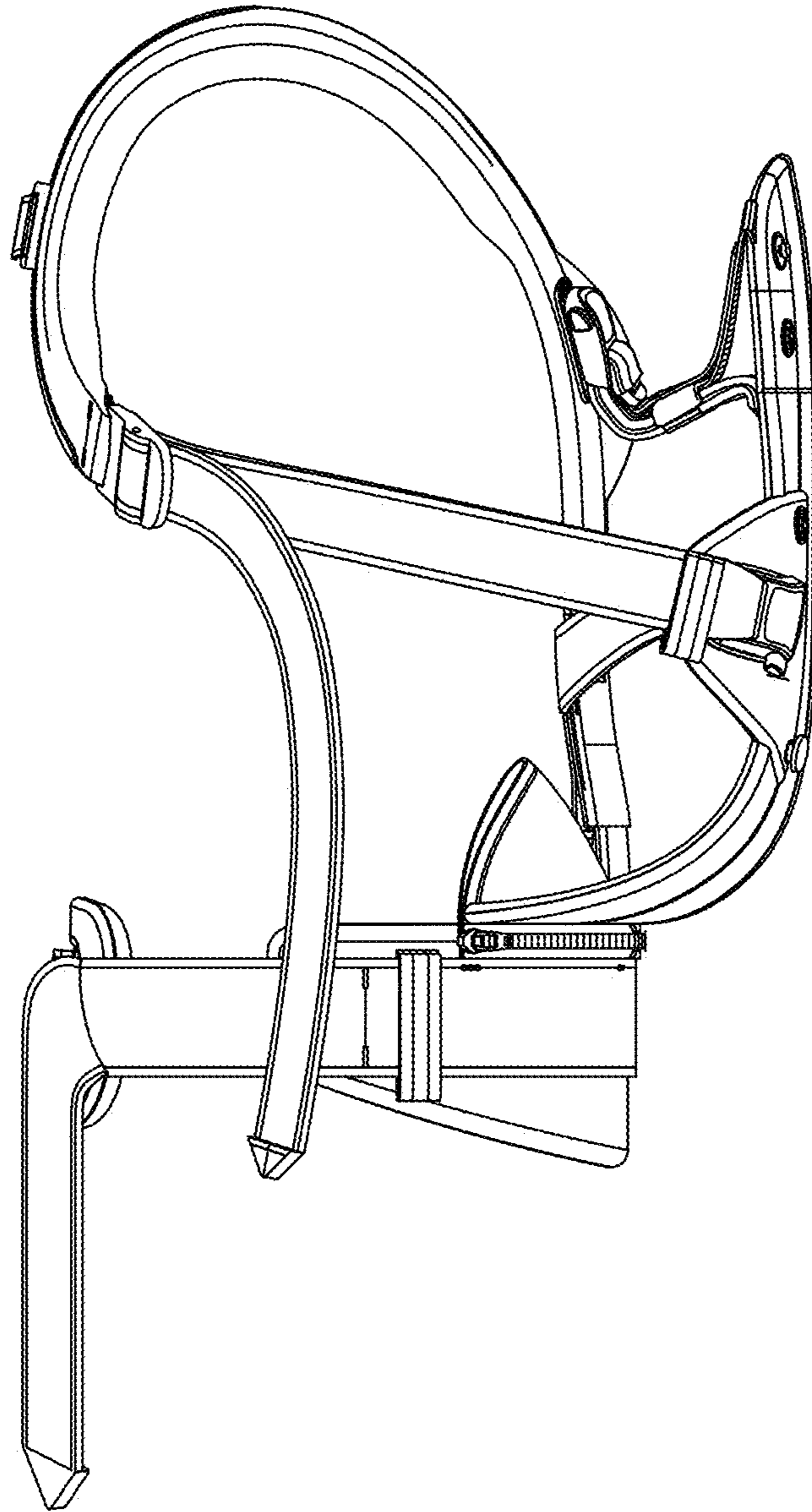


FIG. 12

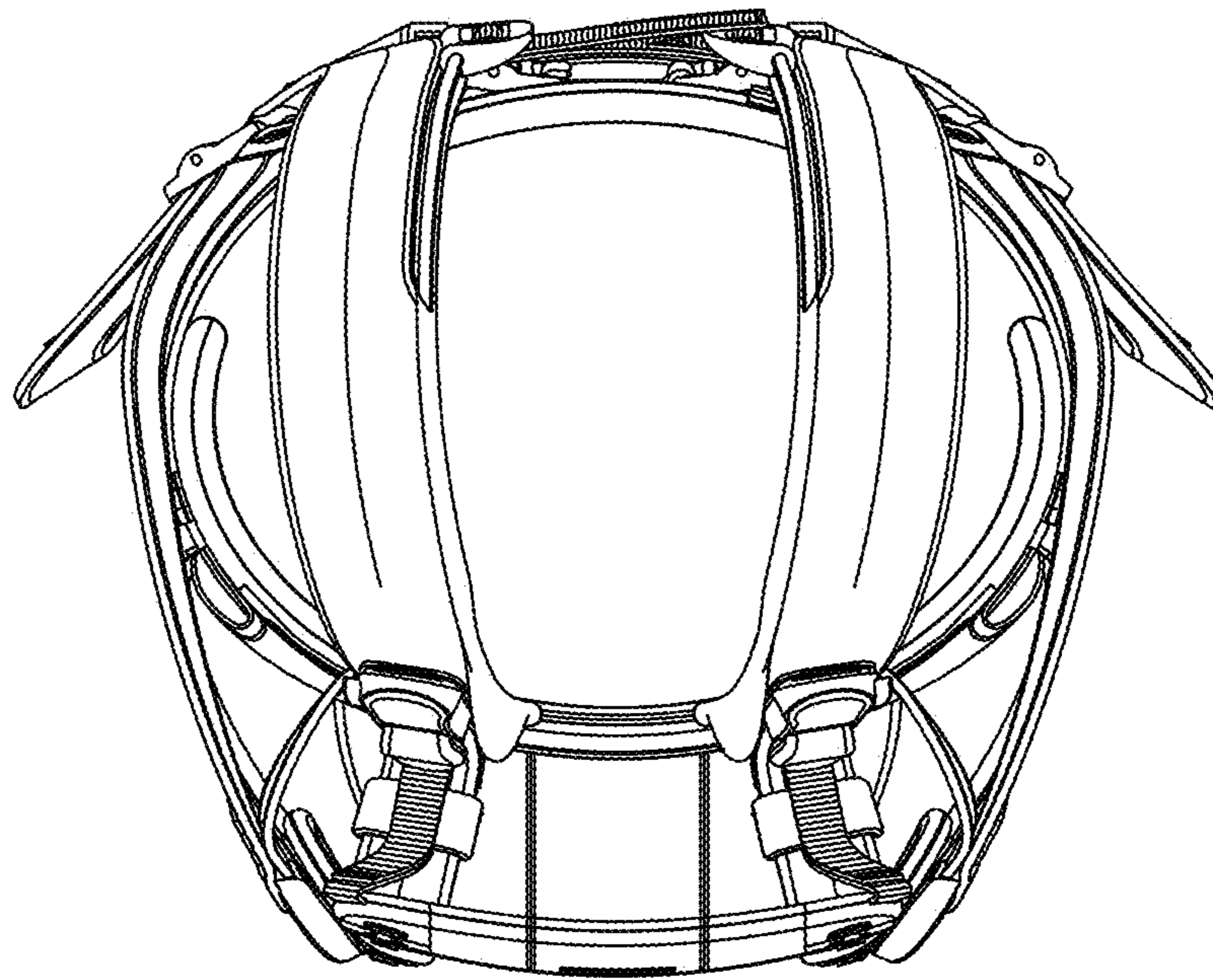


FIG. 13

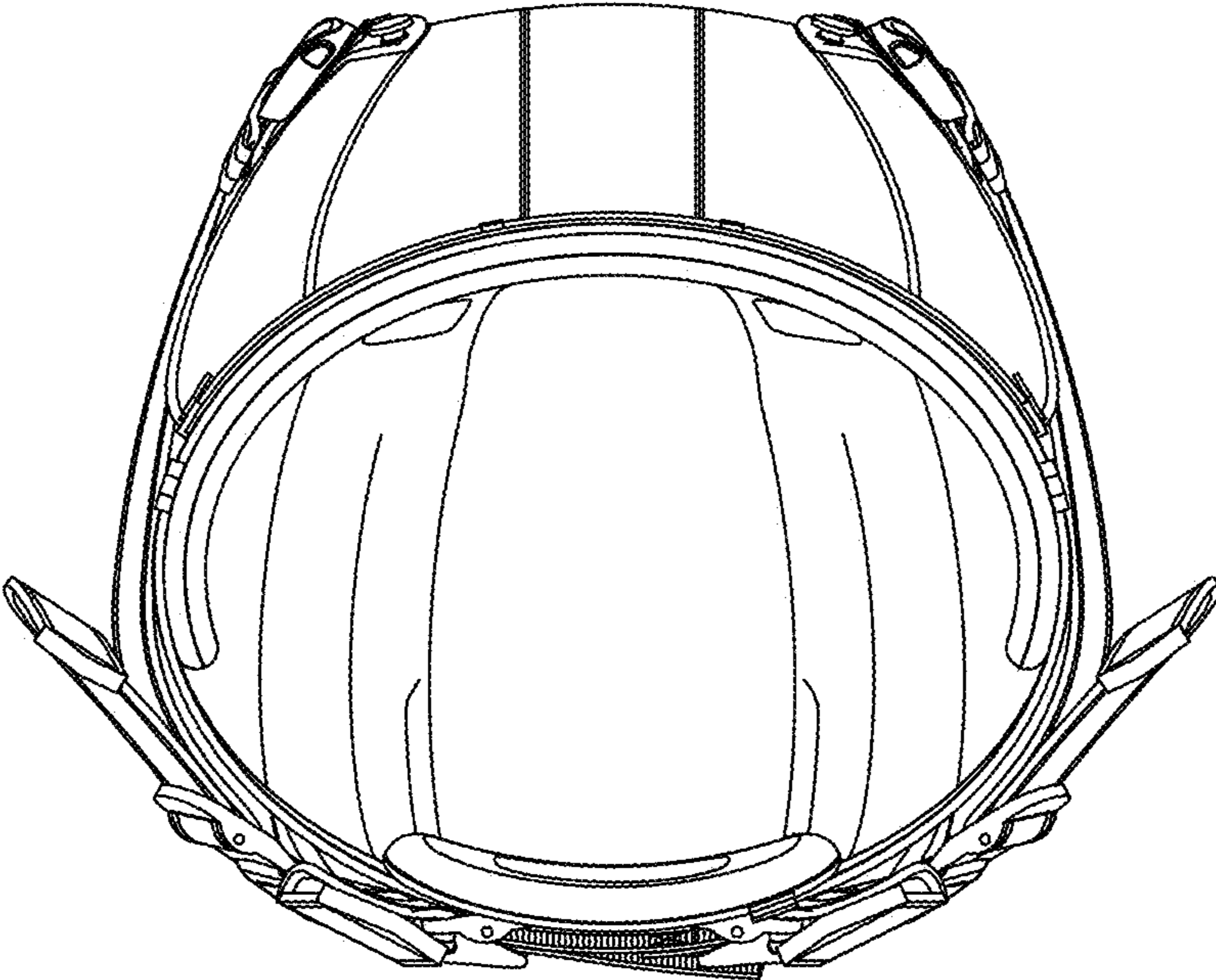


FIG. 14