



US00D955100S

(12) **United States Design Patent**
Moreno

(10) **Patent No.:** **US D955,100 S**
(45) **Date of Patent:** **** Jun. 21, 2022**

(54) **UMBRELLA BASE**

- (71) Applicant: **BEST CHOICE PRODUCTS, INC.**,
Tustin, CA (US)
- (72) Inventor: **Taylor Moreno**, Montclair, CA (US)
- (73) Assignee: **Best Choice Products, Inc.**, Tustin, CA
(US)

(**) Term: **15 Years**

(21) Appl. No.: **29/748,101**

(22) Filed: **Aug. 27, 2020**

(51) **LOC (13) Cl.** **03-03**

(52) **U.S. Cl.**
USPC **D3/10**

(58) **Field of Classification Search**
USPC D3/5-17; D13/101-107, 133, 154
CPC A45B 17/00; A45B 23/00; E04H 12/2238;
A47F 5/00

See application file for complete search history.

(56) **References Cited**

U.S. PATENT DOCUMENTS

| | | | | |
|-------------------|---------|--------------|-------|---------------------------|
| D516,297 S * | 3/2006 | Smith | | D3/10 |
| D568,603 S * | 5/2008 | Smith | | D3/10 |
| D697,705 S * | 1/2014 | Ma | | D3/10 |
| D817,631 S * | 5/2018 | Weng | | D3/10 |
| 10,100,969 B1 * | 10/2018 | Zhu | | B62B 5/0089 |
| D866,949 S * | 11/2019 | Siegenthaler | | D3/10 |
| D938,714 S * | 12/2021 | He | | D3/10 |
| 2007/0080277 A1 * | 4/2007 | Chen | | E04H 12/2246 248/354.3 |
| 2010/0065709 A1 * | 3/2010 | Ying | | E04H 12/2238 248/522 |

FOREIGN PATENT DOCUMENTS

| | | | |
|----|-----------|---|--------|
| CA | 142318 | * | 4/2012 |
| CN | 306317971 | * | 2/2021 |

OTHER PUBLICATIONS

homedepot.com, Site visited Feb. 14, 2022, Guadalupe Concrete Umbrella Base, Oldest review with photos Oct. 29, 2018, <https://www.homedepot.com/p/Noble-House-Guadalupe-80-lbs-Concrete-Patio-Umbrella-Base-in-Teal-40757/308860048> (Year: 2018).*

Amazon.ca, Site visited Feb. 16, 2022, Cobana Patio Market Umbrella Base, First available Mar. 19, 2019, <https://www.amazon.ca/dp/B01KYX37KC> (Year: 2019).*

Bestchoiceproducts.com, Site visited Feb. 16, 2022, 81lb Concrete Umbrella Base with Wheels. Oldest photo review Aug. 15, 2020, <https://bestchoiceproducts.com/products/81lb-heavy-duty-concrete-umbrella-base-stand-w-wheels?variant=12558993195086&utm> (Year: 2020).*

Best Choice Products, Instruction Manual—Concrete Square Umbrella Base, Ver.1 SKY5070, in 4 pages.

* cited by examiner

Primary Examiner — Brett Miller

Assistant Examiner — Jessica M Gebhart

(74) *Attorney, Agent, or Firm* — Knobbe, Martens, Olson & Bear, LLP

(57) **CLAIM**

The ornamental design for an umbrella base, as shown and described.

DESCRIPTION

FIG. 1 is a back, top, and right side perspective view of an umbrella base embodying my new design.

FIG. 2 is a top view thereof.

FIG. 3 is a bottom view thereof.

FIG. 4 is a back view thereof.

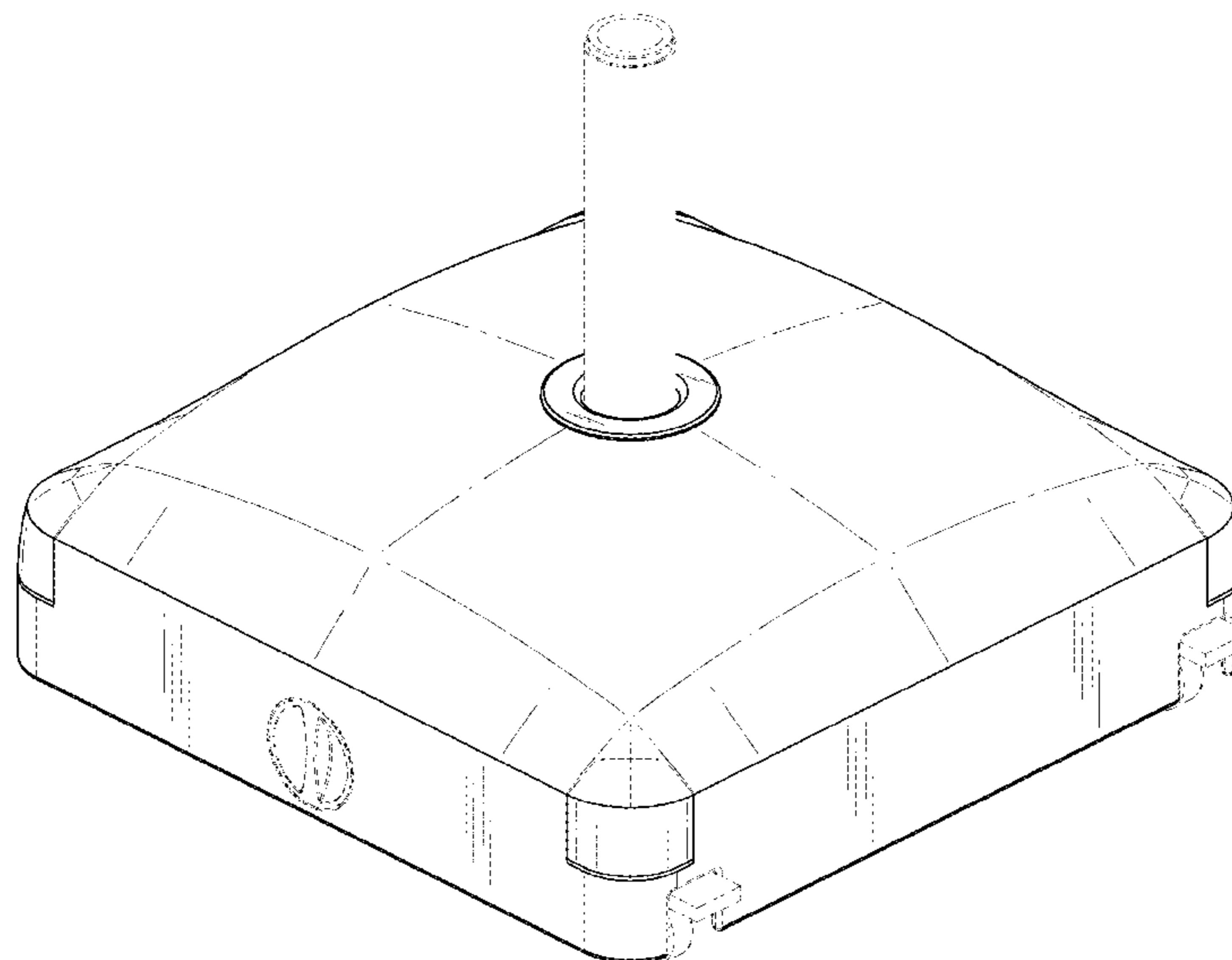
FIG. 5 is a front view thereof.

FIG. 6 is a left side view thereof; and,

FIG. 7 is a right side view thereof.

The broken lines are shown for the purpose of indicating environmental structure and/or portions of the umbrella base and form no part of the claimed design.

1 Claim, 7 Drawing Sheets



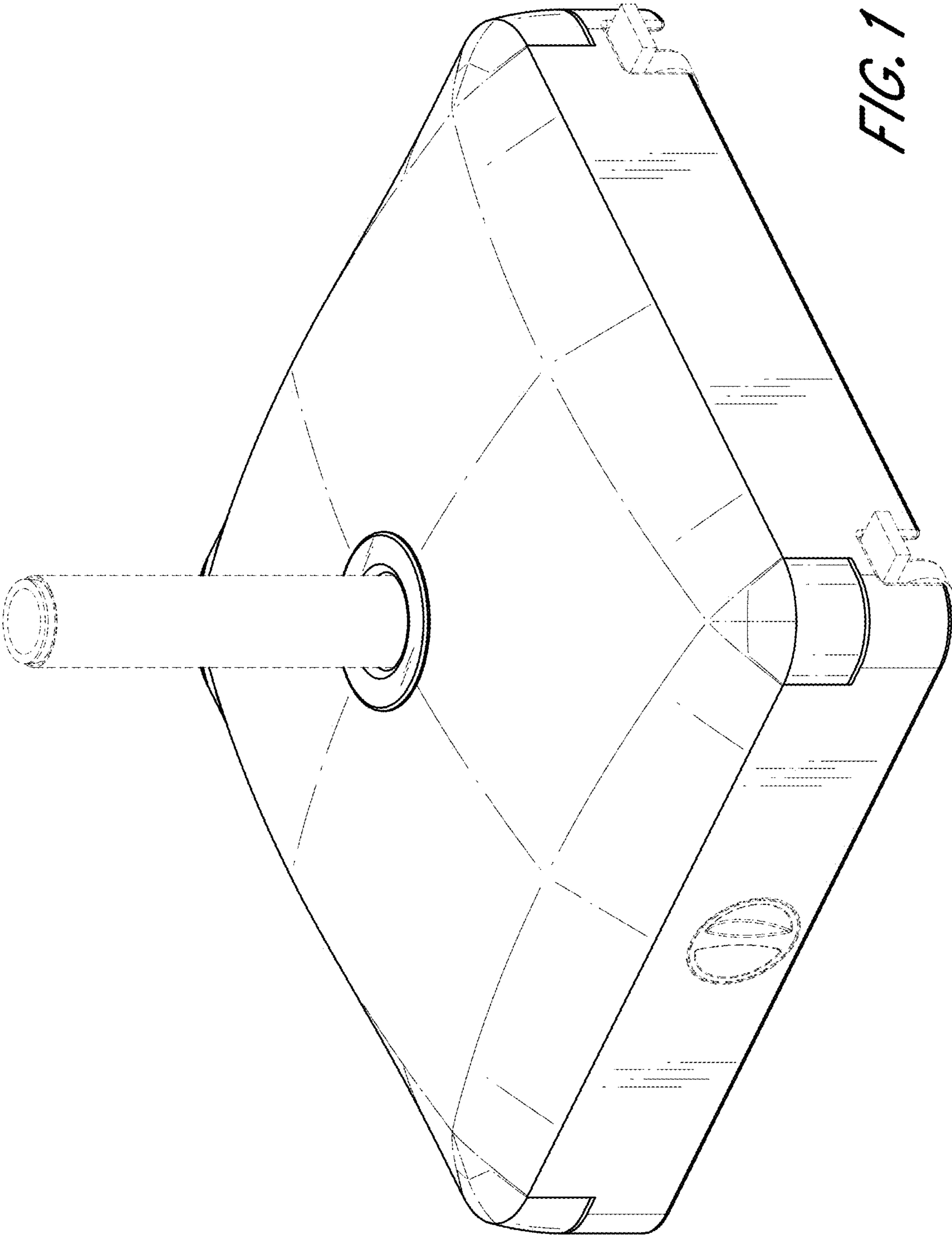


FIG. 1

FIG. 2

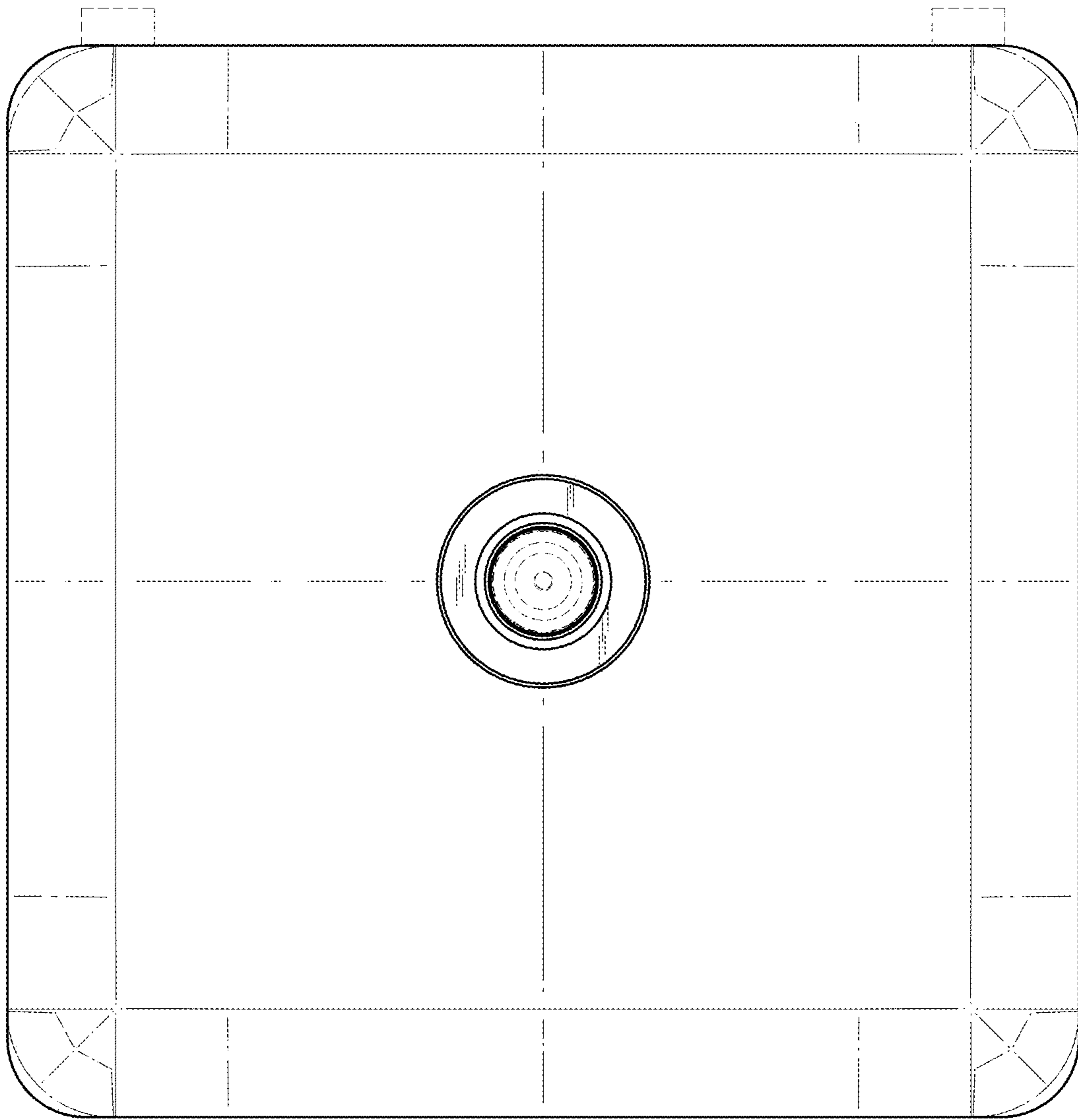
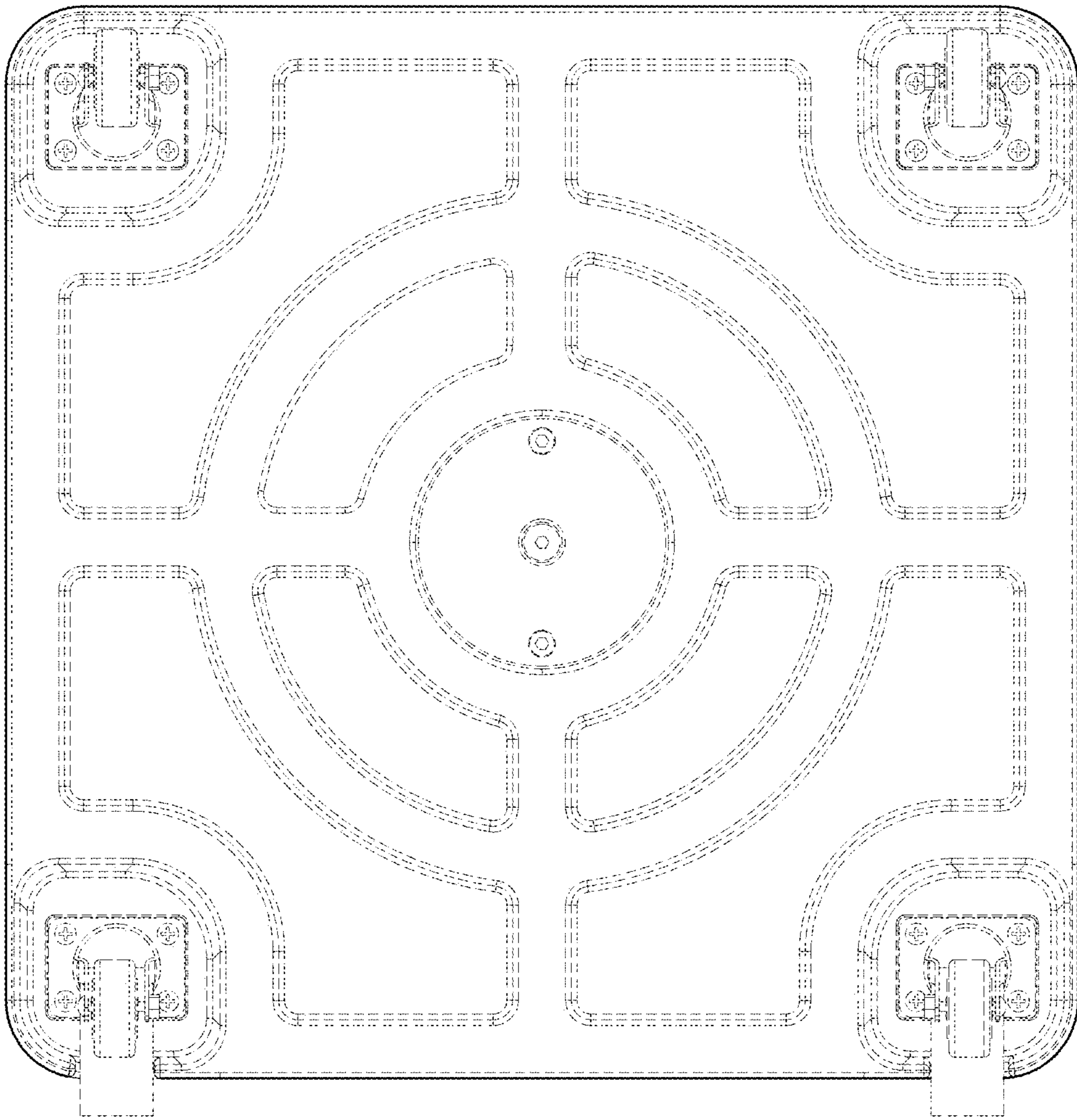


FIG. 3



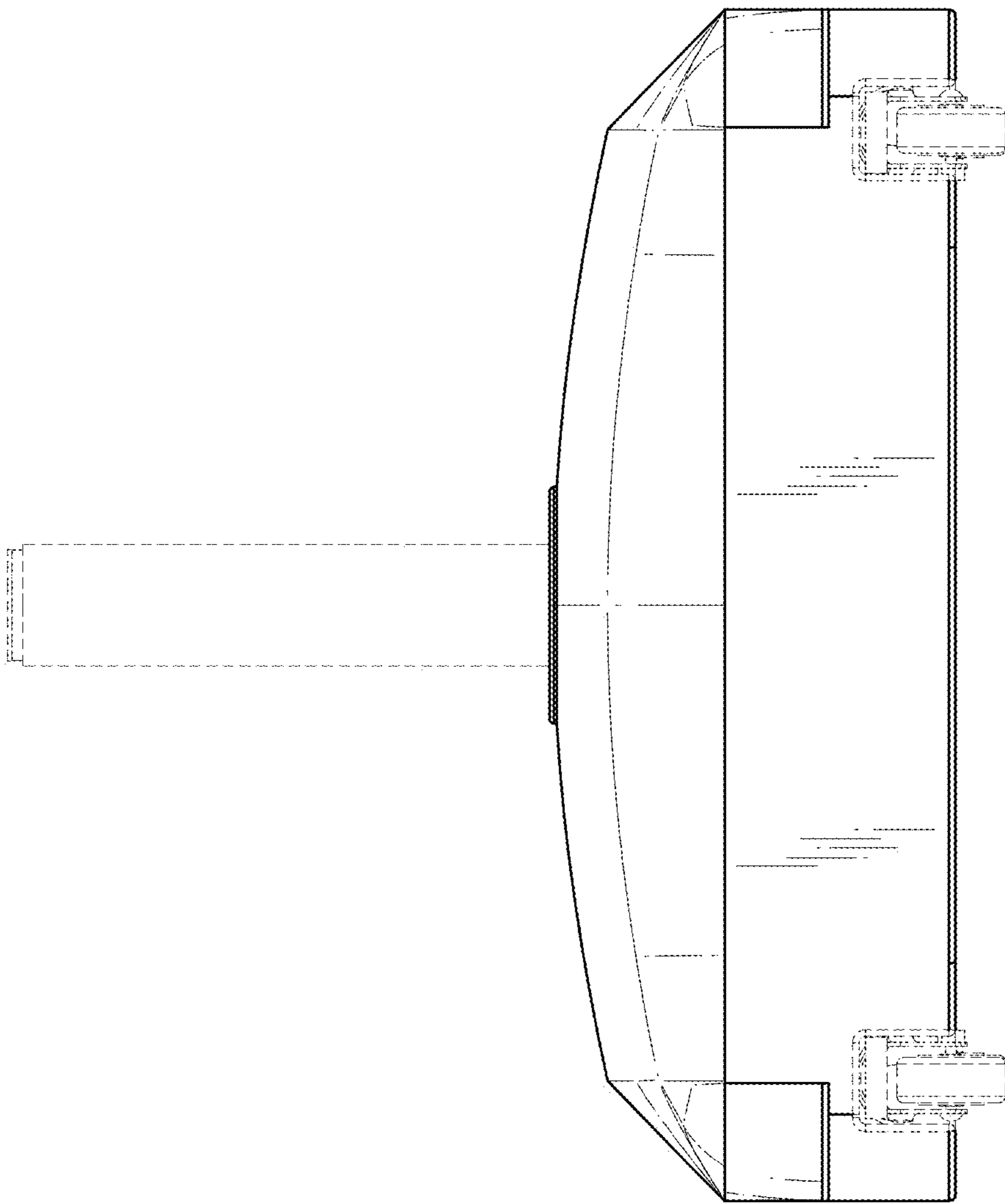


FIG. 4

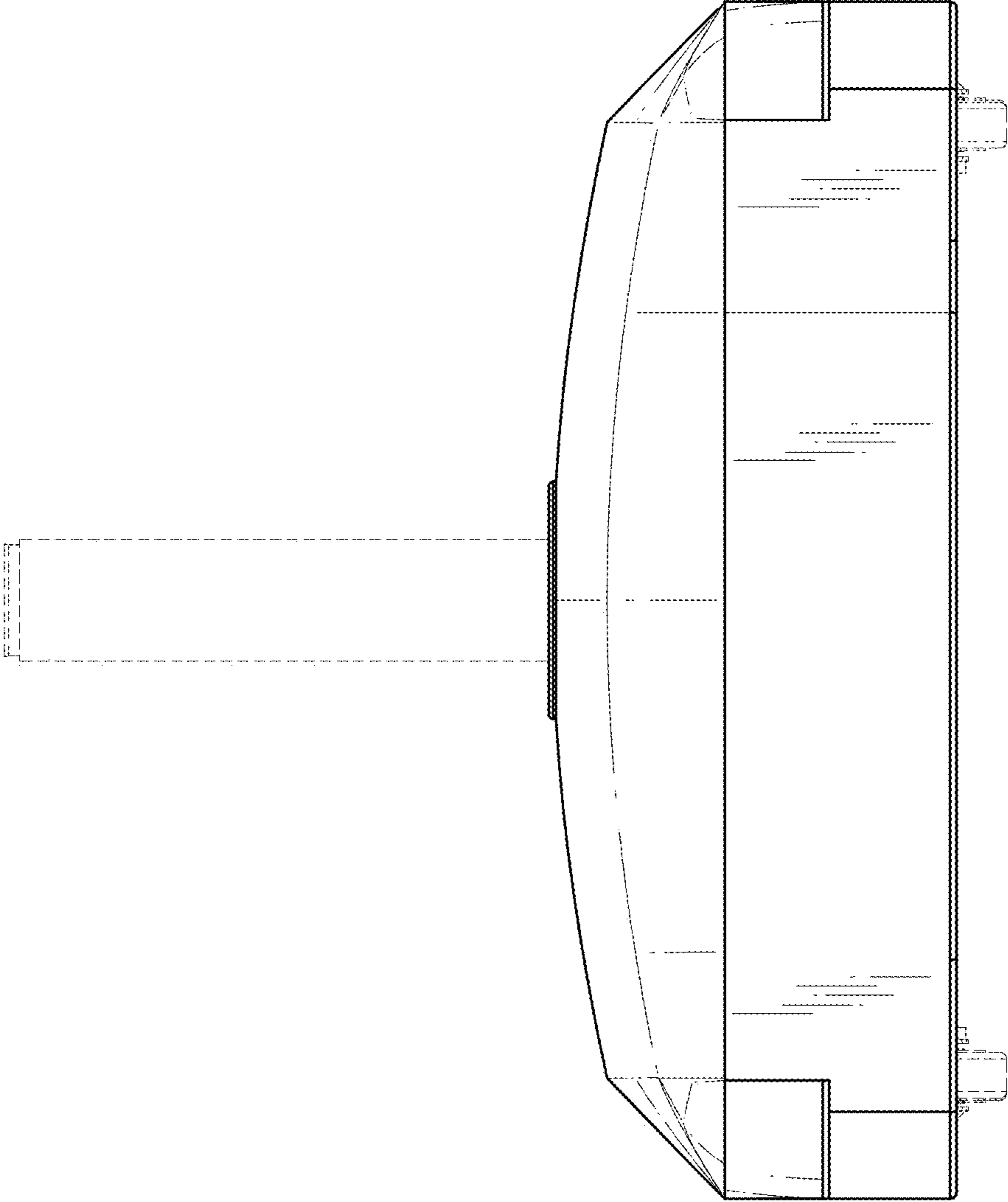


FIG. 5

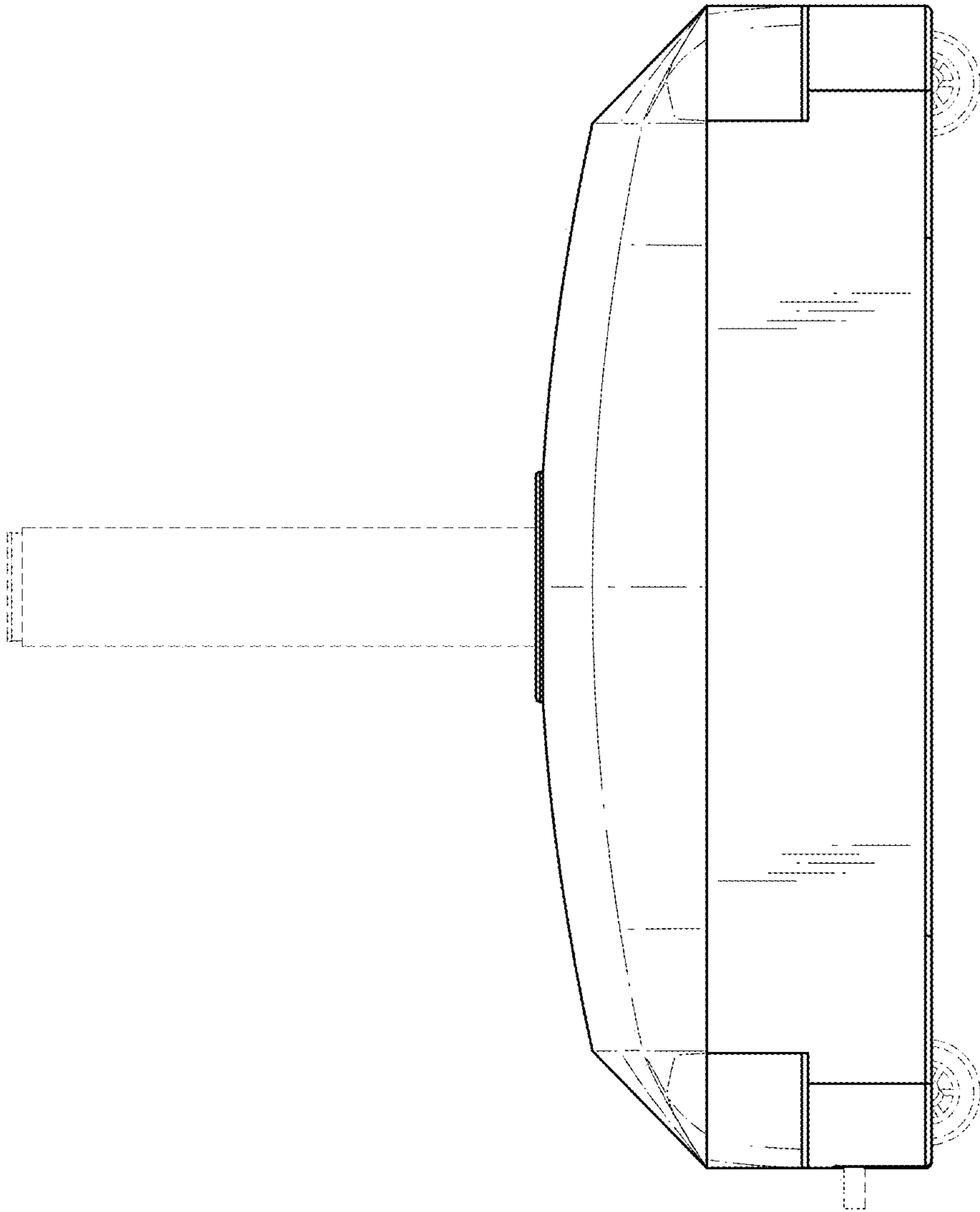


FIG. 6

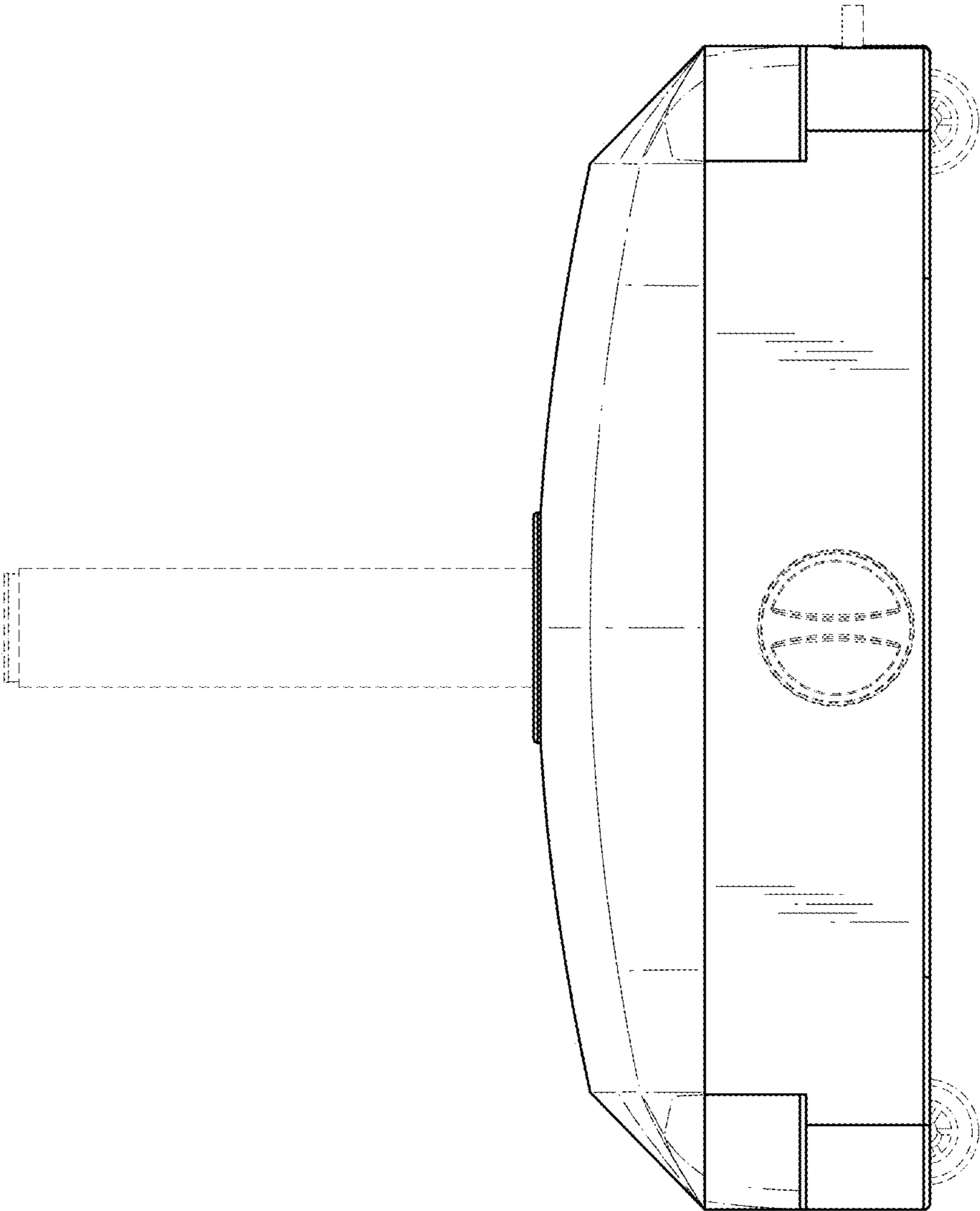


FIG. 7