



US00D955099S

(12) **United States Design Patent**
Dunham

(10) **Patent No.:** **US D955,099 S**
(45) **Date of Patent:** **** Jun. 21, 2022**

(54) **FOOTWEAR**

(71) Applicant: **Target Brands, Inc.**, Minneapolis, MN (US)

(72) Inventor: **Austyn Dunham**, Minneapolis, MN (US)

(73) Assignee: **Target Brands, Inc.**, Minneapolis, MN (US)

(**) Term: **15 Years**

(21) Appl. No.: **29/754,408**

(22) Filed: **Oct. 9, 2020**

(51) **LOC (13) Cl.** **02-04**

(52) **U.S. Cl.**
USPC **D2/969**

(58) **Field of Classification Search**
USPC D2/896, 900, 902, 904, 906–908, D2/916–924, 925–945, 969–979; 36/1.5, 36/3 A, 83, 45, 99, 101, 112–116, 136
CPC A43B 1/00; A43B 1/02; A43B 1/04; A43B 3/00; A43B 3/02; A43B 3/06; A43B 3/10; A43B 3/12; A43B 3/14; A43B 5/00; A43B 5/001; A43B 5/002; A43B 5/008; A43B 5/06; A43B 5/10; A43B 5/12; A43B 23/00; A43B 23/02; A43B 23/04; A43B 23/14; A43B 23/16; A43B 23/17; A43B 23/24; A43B 23/25; A43B 23/26; A43C 1/00; A43C 5/00; A43C 7/00; A43C 9/00; A43C 11/00
See application file for complete search history.

(56) **References Cited**

U.S. PATENT DOCUMENTS

D499,233 S 12/2004 Sedlbauer
D516,285 S 3/2006 Sedlbauer
D517,791 S 3/2006 Sedlbauer

D517,792 S 3/2006 Sedlbauer
D524,019 S 7/2006 Matis et al.
D539,024 S 3/2007 Belley et al.
D547,540 S 7/2007 Maderspach
D556,438 S 12/2007 Maderspach
D575,495 S * 8/2008 Le D2/970
D575,951 S 9/2008 St-Louis
D581,140 S * 11/2008 Earle D2/910
D582,651 S 12/2008 Andersen et al.
D585,636 S * 2/2009 Earle D2/970
D593,311 S * 6/2009 del Biondi D2/910
D599,539 S 9/2009 St-Louis
D599,998 S * 9/2009 Belley D2/970
D599,999 S * 9/2009 MacIntyre D2/911
D612,587 S * 3/2010 Wang D2/910
D616,189 S * 5/2010 MacIntyre D2/970
D631,241 S * 1/2011 Ng D2/970
D632,882 S 2/2011 O'Rorke
D648,929 S 11/2011 Van Zyll De Jong et al.

(Continued)

Primary Examiner — Jonathan J Han

(74) *Attorney, Agent, or Firm* — Merchant & Gould P.C.

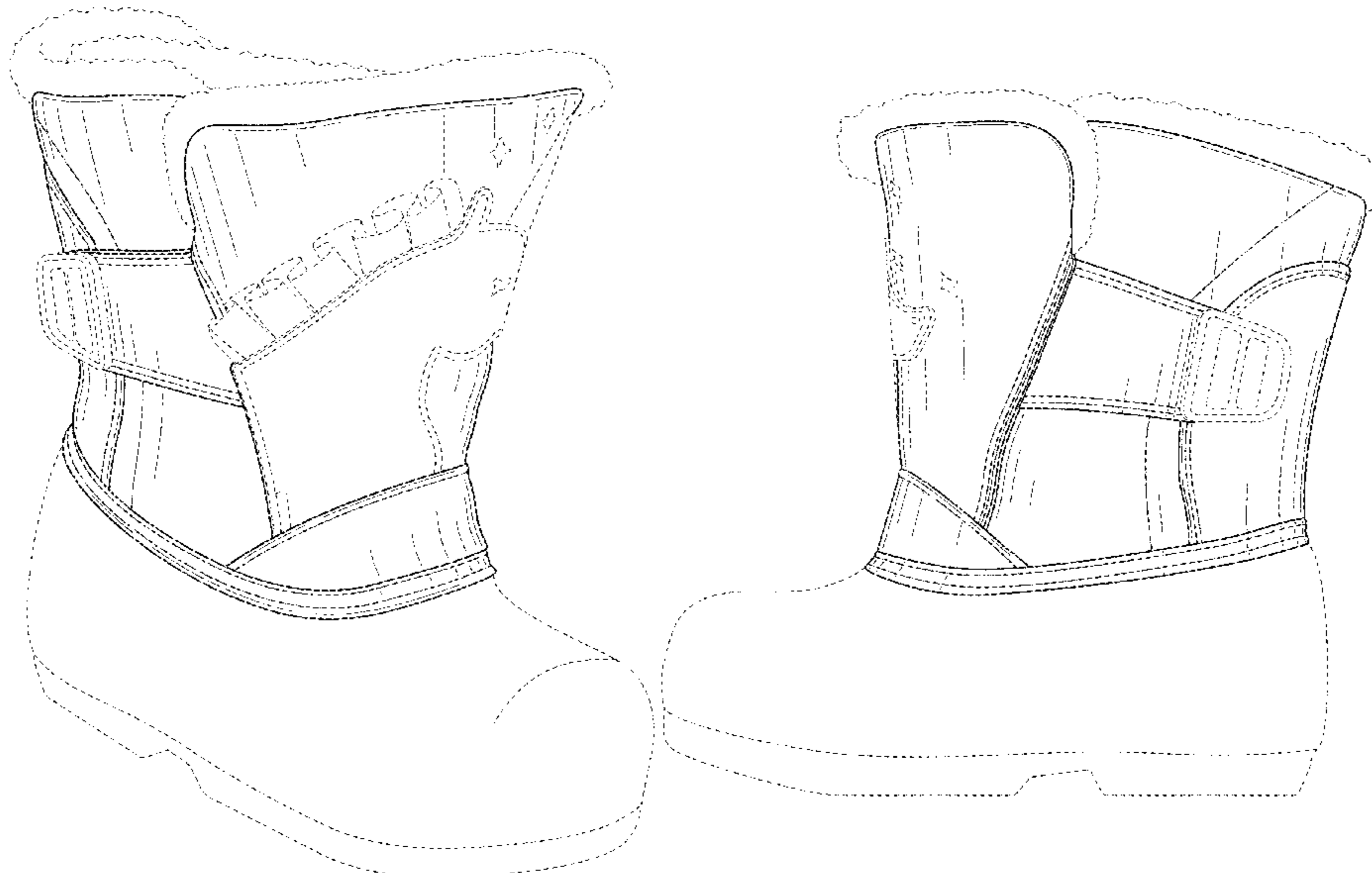
(57) **CLAIM**

The ornamental design for a footwear, as shown and described.

DESCRIPTION

FIG. 1 is a front, top and right side perspective view of an embodiment of a footwear according to the new design; FIG. 2 is a front elevation view of the footwear of FIG. 1; FIG. 3 is a back elevation view of the footwear FIG. 1; FIG. 4 is a right side elevation view of the footwear of FIG. 1; FIG. 5 is a left side elevation view of the footwear of FIG. 1; FIG. 6 is a top plan view of the footwear of FIG. 1; and, FIG. 7 is a bottom plan view of the footwear of FIG. 1. The broken lines in the drawings show portions of the footwear that form no part of the claimed design.

1 Claim, 7 Drawing Sheets



(56)

References Cited

U.S. PATENT DOCUMENTS

D660,570 S 5/2012 Joseph
 D662,304 S 6/2012 Spring
 D664,345 S 7/2012 Joseph
 D677,871 S 3/2013 Portzline
 D677,873 S 3/2013 Portzline
 D678,666 S 3/2013 Portzline
 D699,932 S 2/2014 Lubart
 D701,024 S 3/2014 Youngs et al.
 D701,372 S 3/2014 Portzline
 D701,376 S * 3/2014 Spring D2/911
 D701,377 S 3/2014 Spring
 D701,683 S 4/2014 Neely
 D704,426 S * 5/2014 Dillenbeck D2/970
 D704,427 S * 5/2014 Dillenbeck D2/970
 D705,529 S * 5/2014 Ng D2/970
 D706,526 S * 6/2014 Mentha D2/970
 D719,321 S * 12/2014 Ferraguti D2/912
 D719,322 S * 12/2014 Ferraguti D2/912
 D719,728 S * 12/2014 Carrizo D2/970
 D734,935 S * 7/2015 Todd D2/970
 D738,604 S * 9/2015 Deas D2/970
 D738,605 S * 9/2015 Dillenbeck D2/970

D740,534 S 10/2015 Spring
 D754,425 S 4/2016 Deas
 D762,054 S * 7/2016 Todd D2/970
 D762,963 S * 8/2016 McClaskie D2/971
 D763,554 S * 8/2016 Slimane D2/911
 D766,564 S * 9/2016 Radabaugh D2/970
 D768,974 S * 10/2016 MacIntyre D2/970
 D772,548 S * 11/2016 Radabaugh D2/970
 D788,432 S * 6/2017 MacIntyre D2/970
 9,675,131 B2 * 6/2017 Gould A43C 13/14
 D795,541 S 8/2017 Henrichot et al.
 D800,436 S * 10/2017 MacIntyre D2/970
 10,085,512 B2 * 10/2018 Fougere A43B 5/0427
 D838,455 S * 1/2019 Strother D2/970
 D853,692 S * 7/2019 Smith D2/911
 D866,934 S 11/2019 Zeng
 D871,042 S * 12/2019 Prochmann D2/970
 D871,043 S * 12/2019 Prochmann D2/970
 D871,044 S * 12/2019 Prochmann D2/970
 D872,446 S * 1/2020 Prochmann D2/970
 D874,808 S 2/2020 Prochmann
 D899,056 S * 10/2020 Prochmann D2/970
 D899,057 S * 10/2020 Prochmann D2/970
 D899,058 S * 10/2020 Prochmann D2/970
 D899,059 S * 10/2020 Prochmann D2/970

* cited by examiner

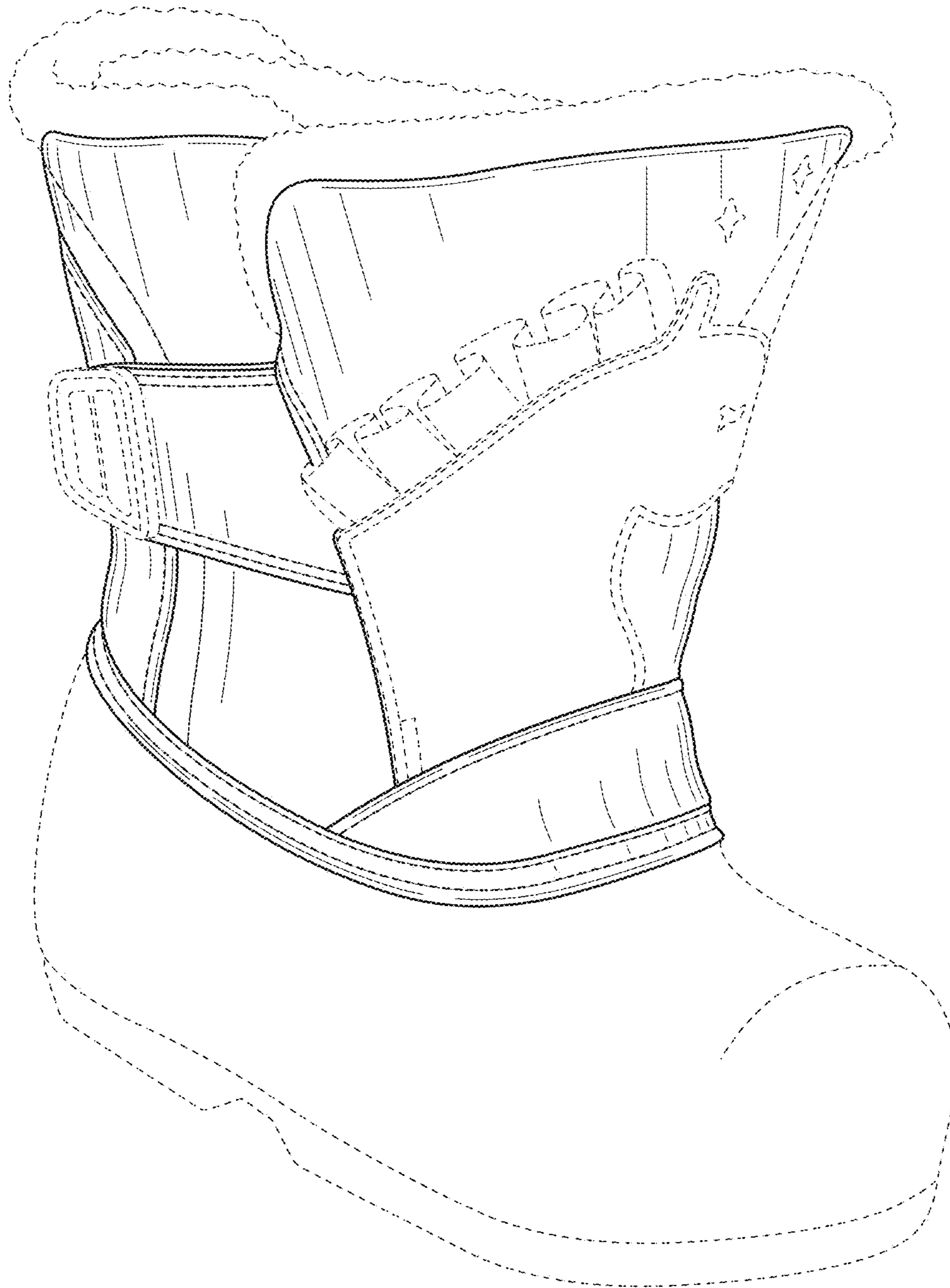


FIG. 1

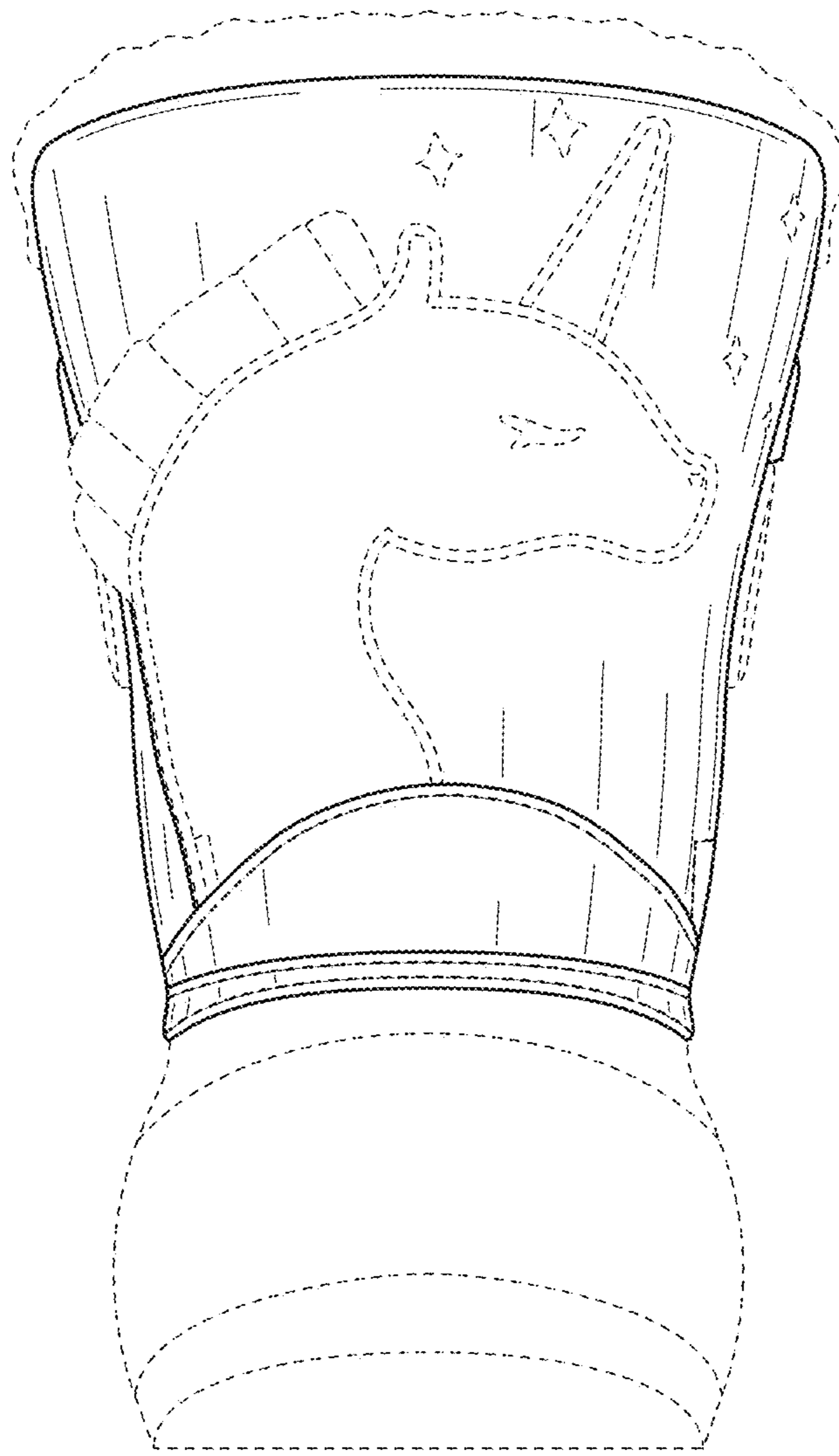


FIG. 2

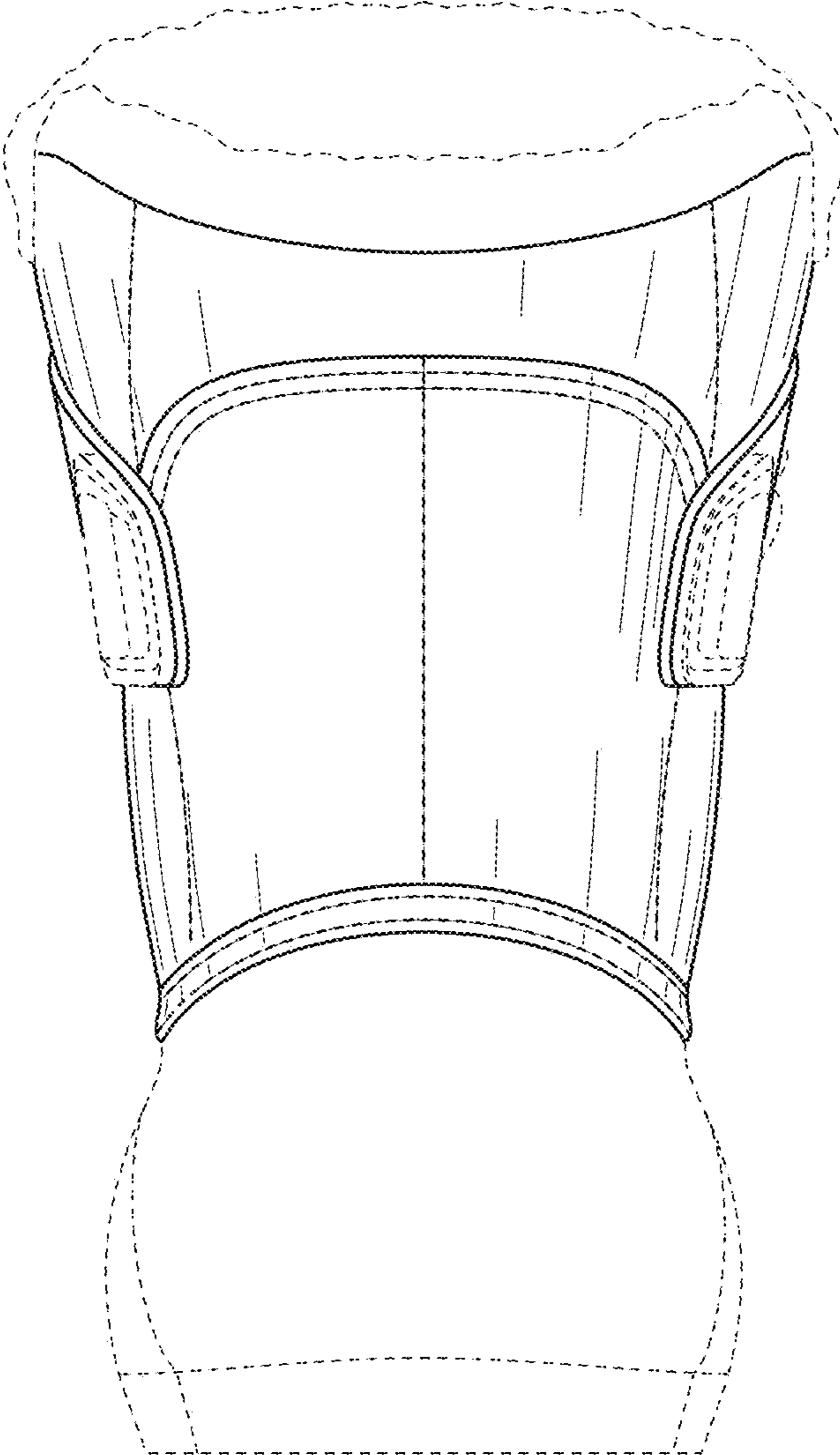


FIG. 3

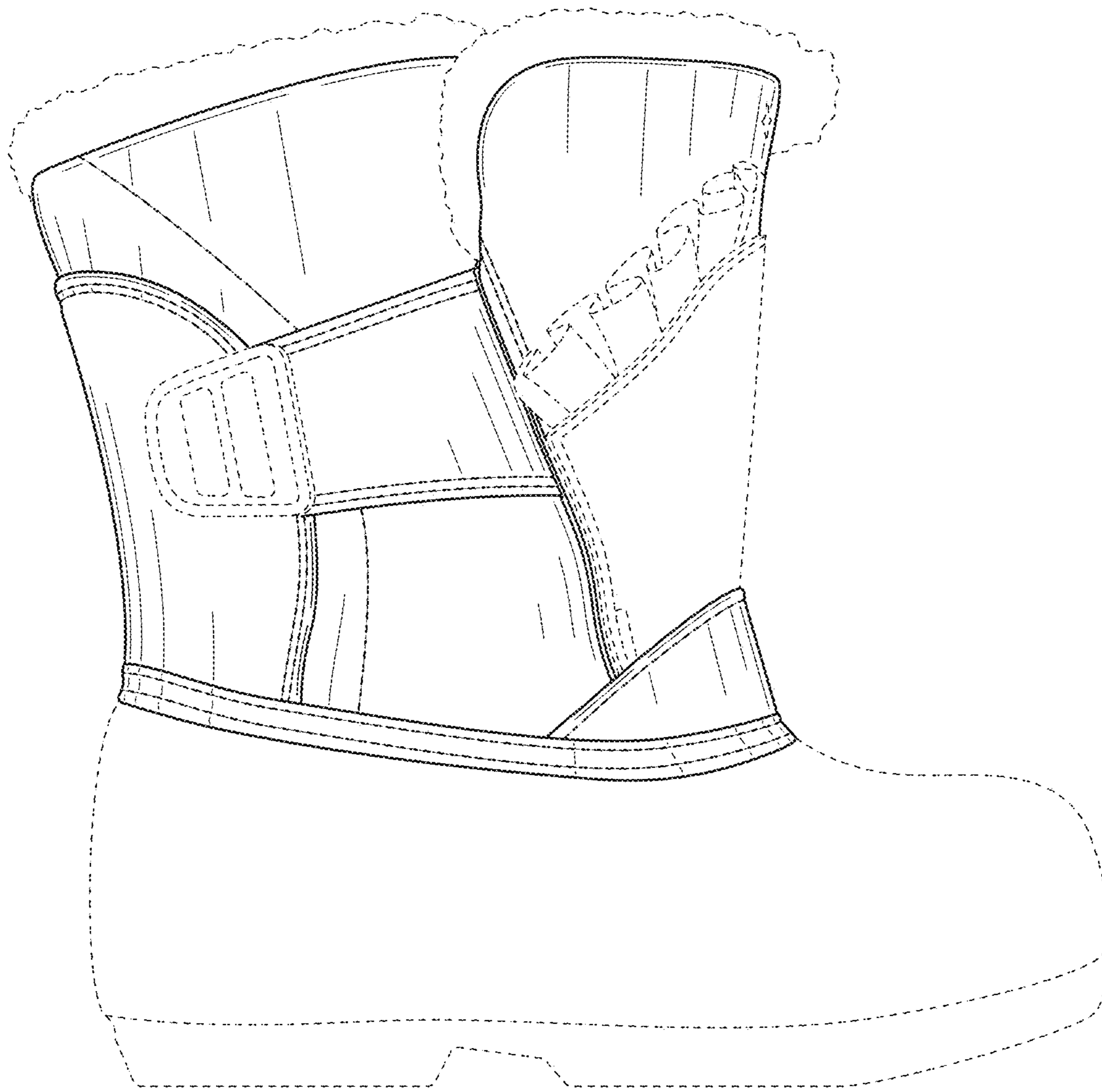


FIG. 4

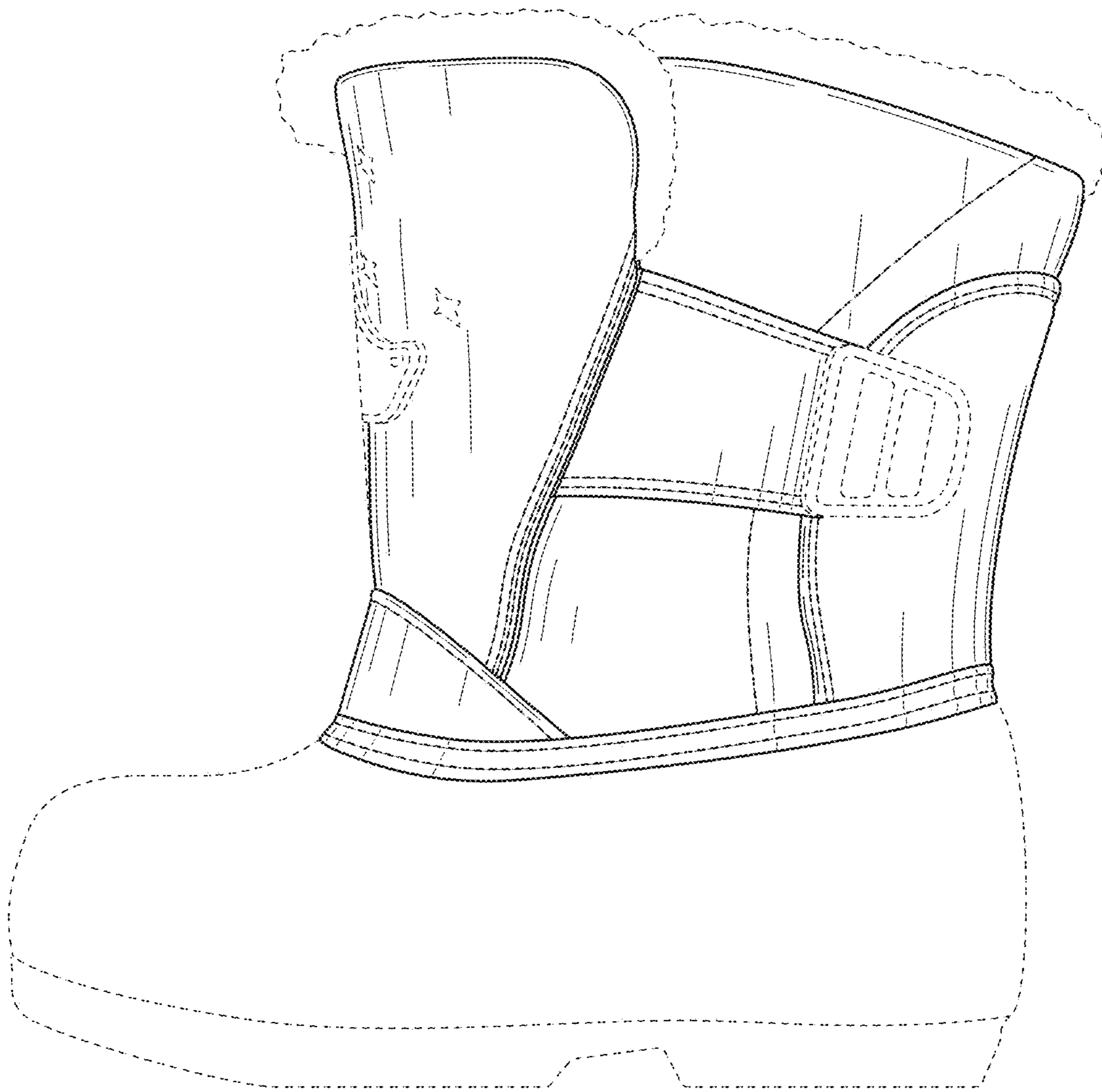


FIG. 5

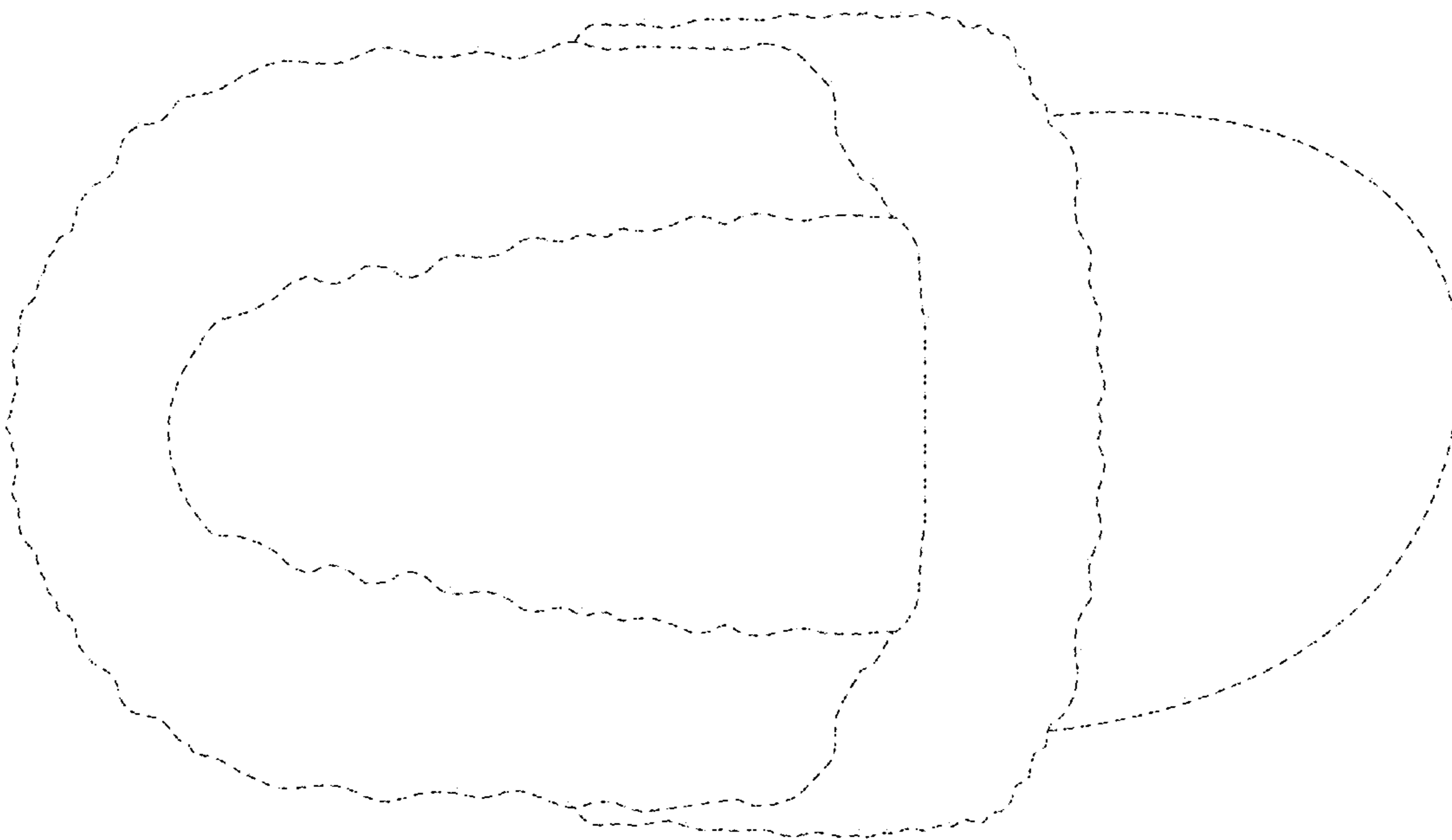


FIG. 6

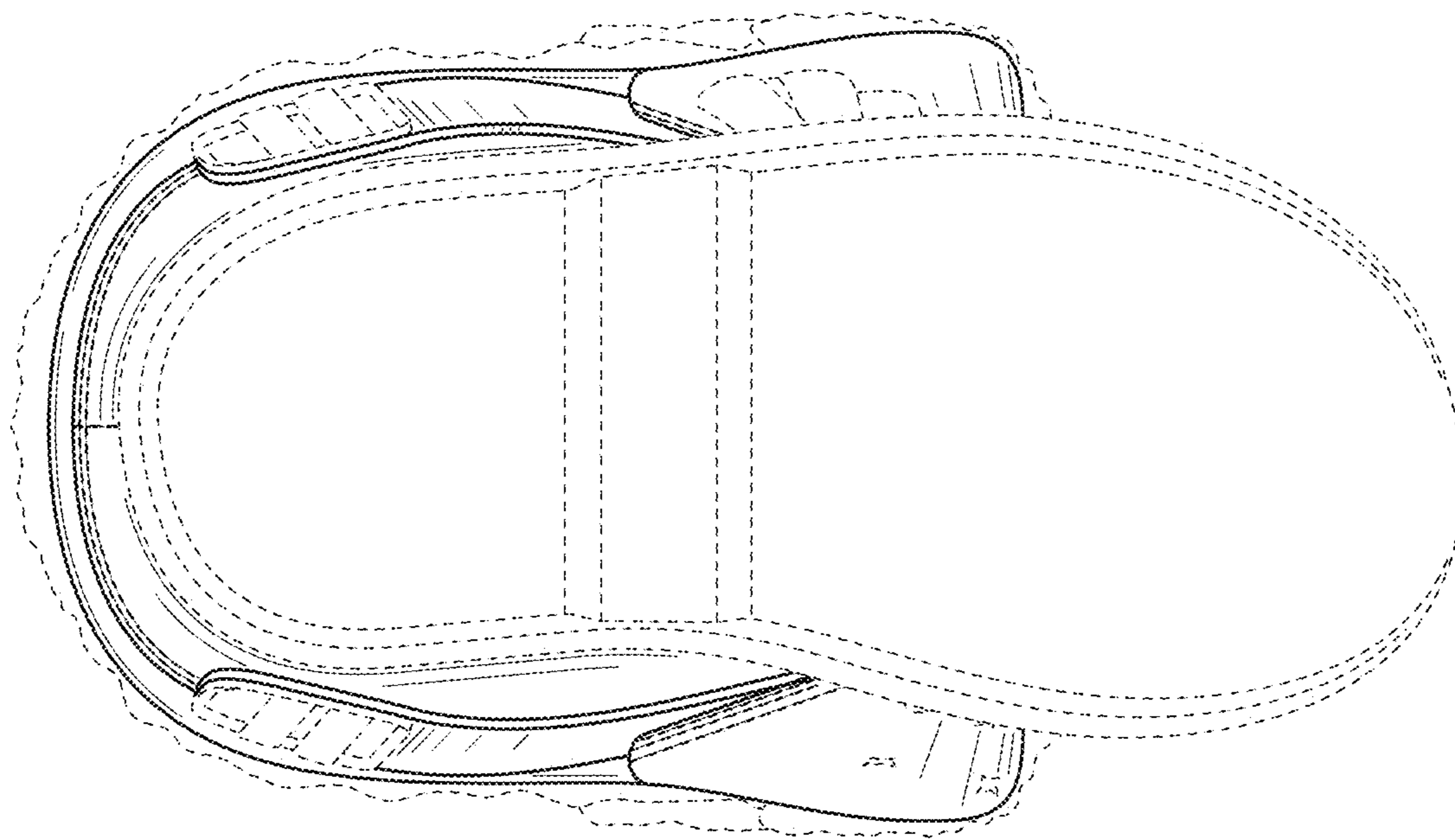


FIG. 7