



US00D955098S

(12) **United States Design Patent**
Dunham

(10) **Patent No.:** **US D955,098 S**
(45) **Date of Patent:** **** Jun. 21, 2022**

(54) **FOOTWEAR**

(71) Applicant: **Target Brands, Inc.**, Minneapolis, MN
(US)

(72) Inventor: **Austyn Dunham**, Minneapolis, MN
(US)

(73) Assignee: **Target Brands, Inc.**, Minneapolis, MN
(US)

(**) Term: **15 Years**

(21) Appl. No.: **29/754,394**

(22) Filed: **Oct. 9, 2020**

(51) **LOC (13) Cl.** **02-04**

(52) **U.S. Cl.**

USPC **D2/957**; D2/947; D2/951

(58) **Field of Classification Search**

USPC D2/897, 902, 905, 906, 908, 916, 918,
D2/925, 946-962, 977, 901, 904,
D2/909-913, 919, 921, 970-974, 978,
D2/969, 931; 36/3 B, 22 R, 24.5, 25 R,
36/28, 32 R, 59 C, 67 A, 103, 3 A, 83,
36/110, 117, 122, 1.7 R, 47.3, 77 M,
36/77 R, 113, 114, 50.1, 54, 126-131,
36/7.1 R, 7.3, 7.4, 7.84, 11.5, 9 R, 45, 52,
36/72 R, 72 B, 73, 84, 89

CPC A43B 23/00; A43B 23/02; A43B 23/0205;
A43B 23/021; A43B 23/0215; A43B
23/022; A43B 23/025; A43B 23/0255;
A43B 23/0295; A43B 23/04; A43B
23/042; A43B 23/085; A43B 23/082;
A43B 3/02; A43B 3/06; A43B 3/002;
A43B 3/04; A43B 3/0496; A43B 23/17;
A43B 5/005; A43B 5/06; A43B 5/10;
A43B 13/81; A43B 13/125; A43B 23/026

See application file for complete search history.

(56) **References Cited**

U.S. PATENT DOCUMENTS

D72,011 S * 2/1927 Grosjean D2/952
D243,483 S * 3/1977 Pietraszek D2/911

(Continued)

FOREIGN PATENT DOCUMENTS

CN 303574768 * 2/2016
CN 304255205 * 8/2017

(Continued)

OTHER PUBLICATIONS

Safety Girl II, Insulated Work Boot, (2017) SafetyGirl.com, [site visited: Feb. 17, 2022], Available from URL: <https://www.safetygirl.com/safety-girl-ii-insulated-work-boot-ltpink.html> (Year: 2017).*

(Continued)

Primary Examiner — T Chase Nelson

Assistant Examiner — Jamillah Khalil Abdullah

(74) *Attorney, Agent, or Firm* — Merchant & Gould P.C.

(57) **CLAIM**

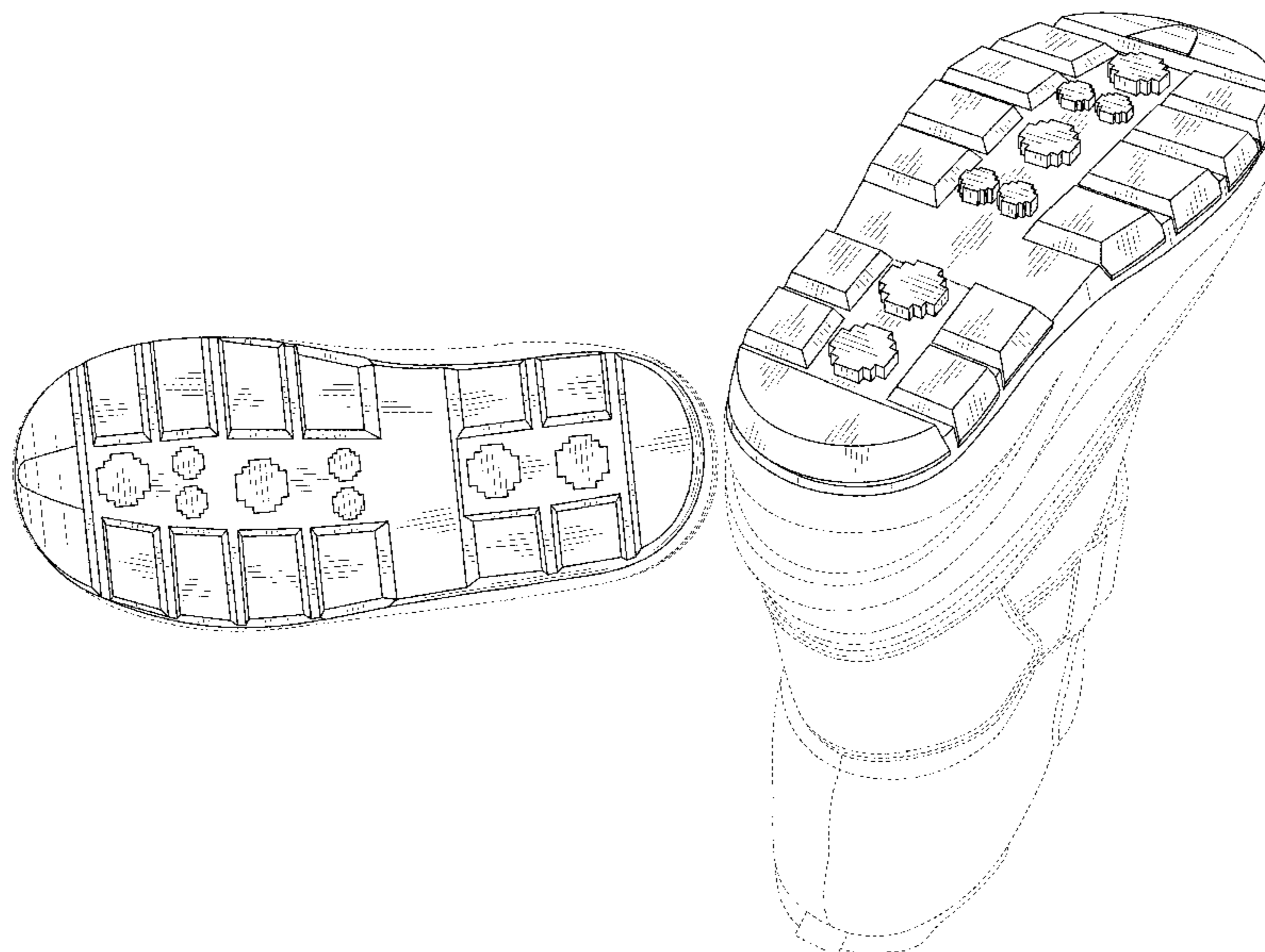
The ornamental design for a footwear, as shown and described.

DESCRIPTION

FIG. 1 is a front, top and right side perspective view of a footwear according to the new design;
FIG. 2 is a front side elevation view thereof;
FIG. 3 is a back side elevation view thereof;
FIG. 4 is a left side elevation view thereof;
FIG. 5 is a right side elevation view thereof;
FIG. 6 is a top plan view thereof;
FIG. 7 is a bottom plan view thereof; and,
FIG. 8 is a back, bottom, and left side perspective view thereof.

The broken lines in the drawings show portions that form no part of the claimed design.

1 Claim, 8 Drawing Sheets



(56)

References Cited

U.S. PATENT DOCUMENTS

4,213,255 A * 7/1980 Olberz A43B 13/145
36/32 R
4,255,874 A * 3/1981 Sironi A43B 13/223
36/32 R
D280,950 S * 10/1985 Austin A43B 13/223
D2/957
D289,943 S * 5/1987 Liebscher D2/959
D322,154 S * 12/1991 Trueman D2/955
D340,130 S * 10/1993 Blissett D2/959
D352,597 S * 11/1994 Cohen D2/953
D369,456 S * 5/1996 Peterson D2/912
D372,576 S * 8/1996 Mills D2/951
D383,893 S * 9/1997 Leick D2/951
D398,143 S * 9/1998 Meyer D2/951
D401,040 S * 11/1998 Schneider D2/951
D401,746 S * 12/1998 Brooks A43B 13/223
D2/909
D402,798 S * 12/1998 Norton D2/960
D404,544 S * 1/1999 Tzenos A43B 13/145
D2/951
D412,238 S * 7/1999 Greenberg A43B 7/08
D2/954
D412,777 S * 8/1999 Norton A43B 13/145
D2/947
D430,966 S * 9/2000 Brady A43B 7/08
D2/954
D435,333 S * 12/2000 Robbins D2/954
D447,856 S * 9/2001 Rake D2/947
D450,429 S * 11/2001 McClaskie D2/960
D494,748 S * 8/2004 McClaskie D2/951
D499,233 S 12/2004 Sedlbauer
D499,536 S * 12/2004 Castleberry A43B 7/08
D2/912
D509,049 S * 9/2005 McClaskie A43B 3/02
D2/910
D516,285 S 3/2006 Sedlbauer
D517,791 S 3/2006 Sedlbauer
D517,792 S 3/2006 Sedlbauer
D524,019 S 7/2006 Matis et al.
D529,692 S * 10/2006 Marvin D2/954
D539,024 S 3/2007 Belley et al.
D547,540 S 7/2007 Maderspach
D548,438 S * 8/2007 McClaskie D2/954
D549,431 S * 8/2007 McClaskie D2/951
D556,438 S 12/2007 Maderspach
D557,484 S * 12/2007 McClaskie D2/951
D571,543 S * 6/2008 Sungadi D2/951
D575,951 S 9/2008 St-Louis
D580,637 S * 11/2008 Winjum D2/954
D582,636 S * 12/2008 Cofinco D2/951
D582,651 S 12/2008 Andersen et al.
D583,133 S * 12/2008 Winjum D2/951
D592,847 S * 5/2009 Rosenbaum D2/954
D599,539 S 9/2009 St-Louis
D612,136 S * 3/2010 Hubner D2/954
D626,735 S * 11/2010 McClaskie D2/951
D632,882 S 2/2011 O'Rorke
D634,527 S * 3/2011 Butler D2/951
D643,191 S * 8/2011 McClaskie D2/908

D645,239 S * 9/2011 McClaskie D2/947
D648,929 S 11/2011 Van Zyll De Jong et al.
D652,613 S * 1/2012 Raysse D2/954
D652,614 S * 1/2012 Raysse D2/954
D660,570 S 5/2012 Joseph
D662,304 S 6/2012 Spring
D664,345 S 7/2012 Joseph
D667,207 S * 9/2012 Funck D2/951
D669,256 S * 10/2012 Castellon D2/951
D677,871 S 3/2013 Portzline
D677,873 S 3/2013 Portzline
D678,666 S 3/2013 Portzline
D680,311 S * 4/2013 McClaskie D2/954
D699,932 S 2/2014 Lubart
D701,024 S 3/2014 Youngs et al.
D701,372 S 3/2014 Portzline
D701,377 S 3/2014 Spring
D701,683 S 4/2014 Neely
D740,534 S 10/2015 Spring
D753,554 S * 4/2016 Wood D2/951
D754,425 S 4/2016 Deas
D755,489 S * 5/2016 Christopherson D2/954
D762,051 S * 7/2016 Ostapenko D2/954
D795,541 S 8/2017 Henrichot et al.
D834,802 S * 12/2018 Raysse D2/954
D862,060 S * 10/2019 Weeks D2/951
D866,934 S 11/2019 Zeng
D870,426 S * 12/2019 Zeng D2/951
D874,808 S 2/2020 Prochmann
D928,464 S * 8/2021 Mocos A43B 23/028
D2/908
D935,750 S * 11/2021 Guidetti D2/947
D935,756 S * 11/2021 Sartori D2/947
2010/0180474 A1 * 7/2010 Clark A43B 7/08
D2/954

FOREIGN PATENT DOCUMENTS

EM 003423102-0002 * 11/2016
WO D212291-001 * 1/2021
WO D212291-002 * 1/2021

OTHER PUBLICATIONS

Cat and Jack, Kids Brody Winter Boots, 2021, Target.com, [site visited: Dec. 29, 2021], Available from URL: <https://www.target.com/p/kids-brody-winter-boots-cat-jack/-/A-82427155?preselect=82181820#lnk=sametab> (Year: 2021).*

Morendl, Kids Snow Boots Insulated Waterproof Fur Lined, (Aug. 17, 2021), Amazon.com, [site visited: Dec. 29, 2021], Available from URL: https://www.amazon.com/dp/B097DRMWDG/ref=cm_sw_em_r_mt_dp_4N8CND9Z2HP13TX73RTH?encoding=UTF8&psc=1 (Year: 2021).*

Cat and Jack, Toddler Frankie Boots, (2021), Target.com, [site visited: Feb. 17, 2022], Available from URL: <https://www.target.com/p/toddler-frankie-winter-boots-cat-jack/-/A-82427162> (Year: 2021).*

Safety Shoe, Timber Yellow, (2022), STG Industrials, [site visited: Feb. 17, 2022], Available from URL: <https://www.stgindustrials.com/shop/safety-shoe-t202n-timber-yellow/> (Year: 2022).*

* cited by examiner

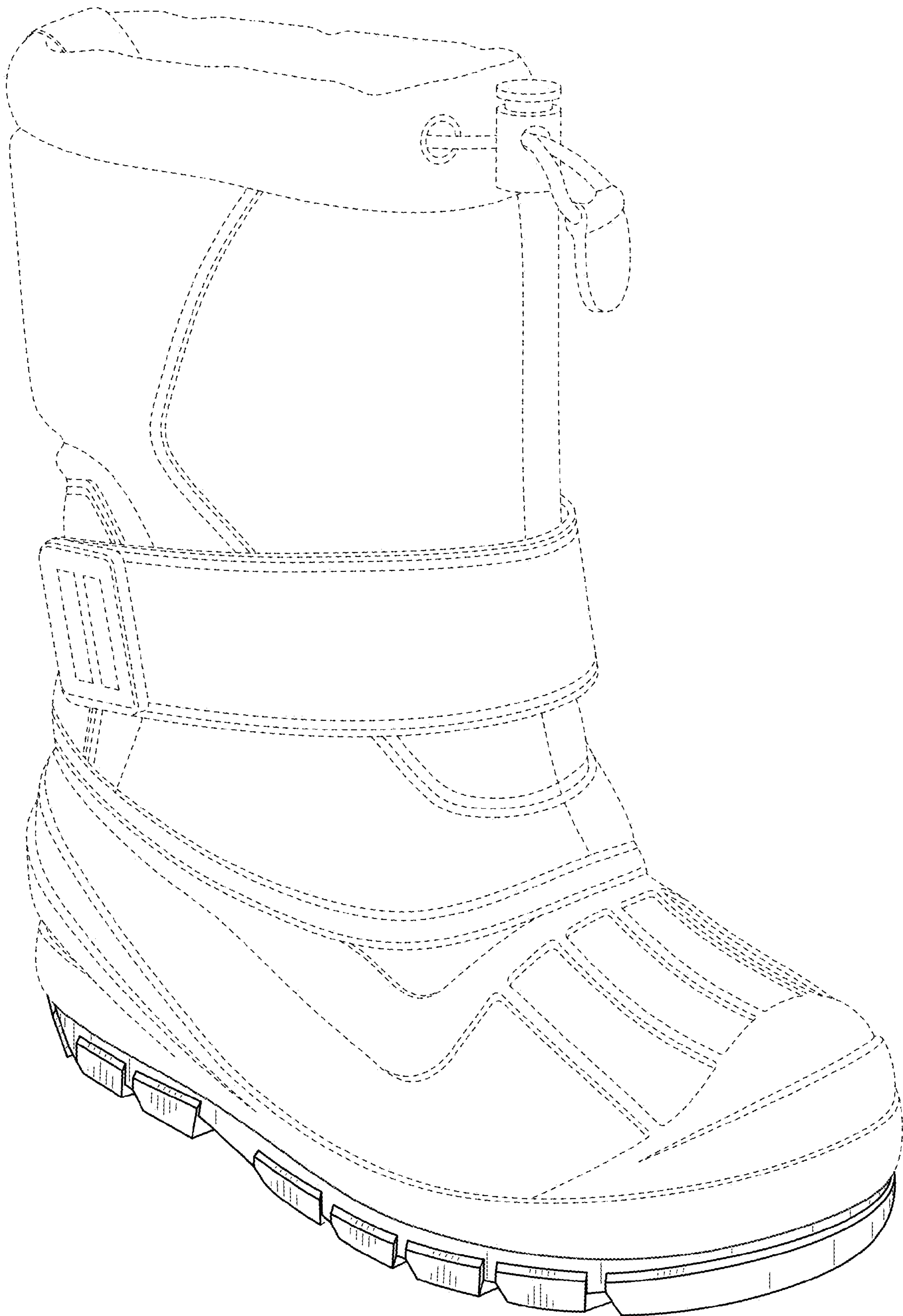


FIG. 1

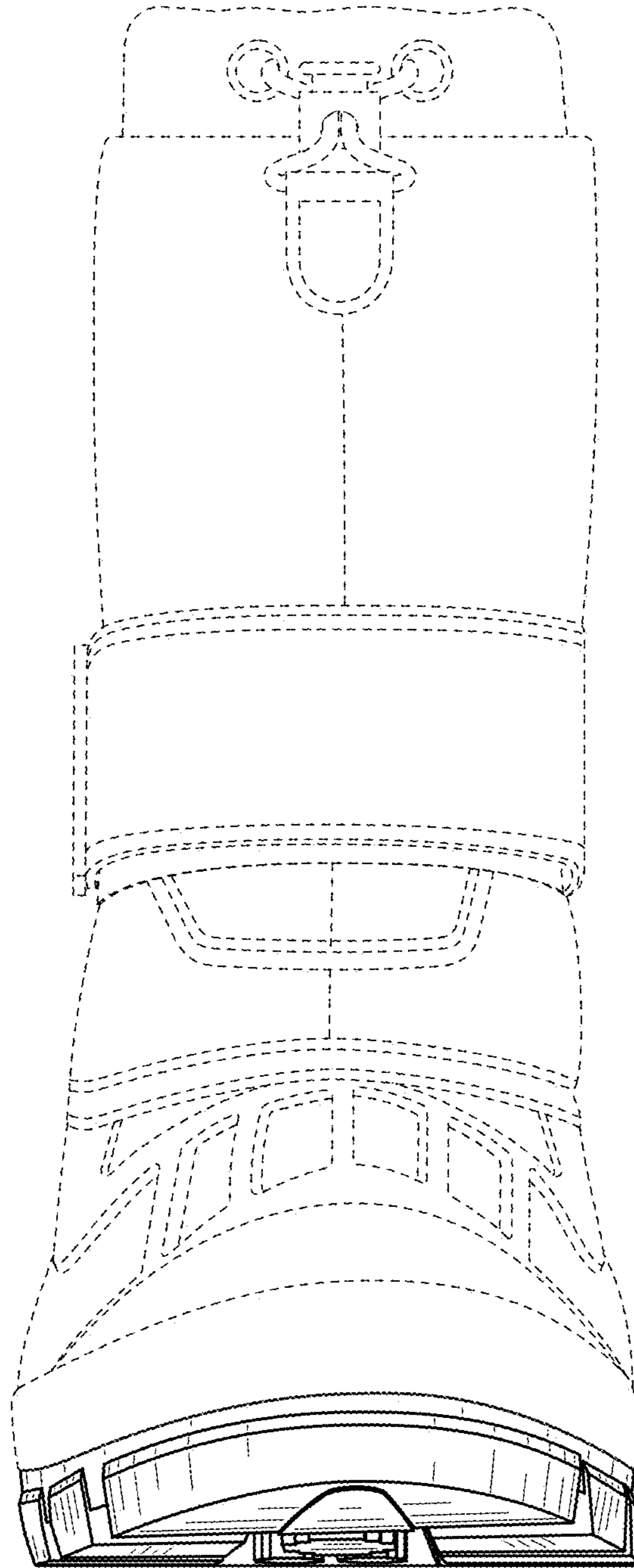


FIG. 2

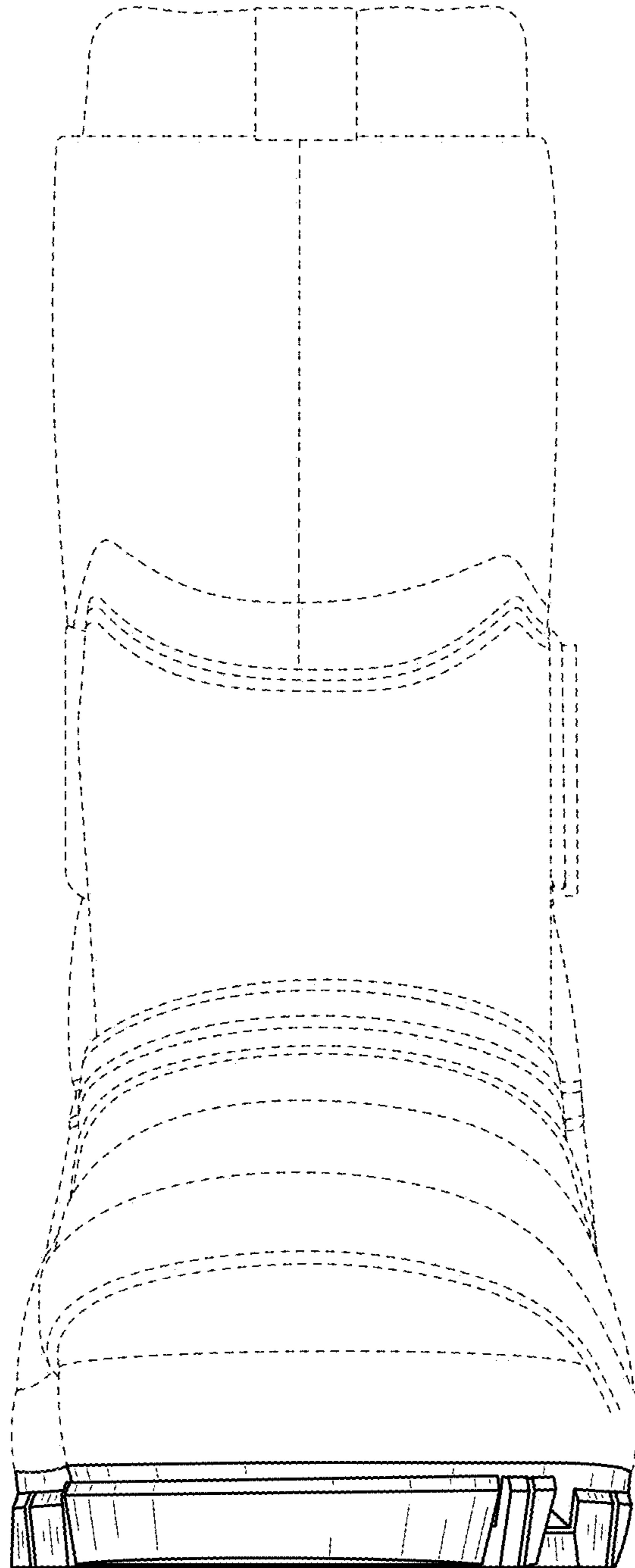


FIG. 3



FIG. 4



FIG. 5

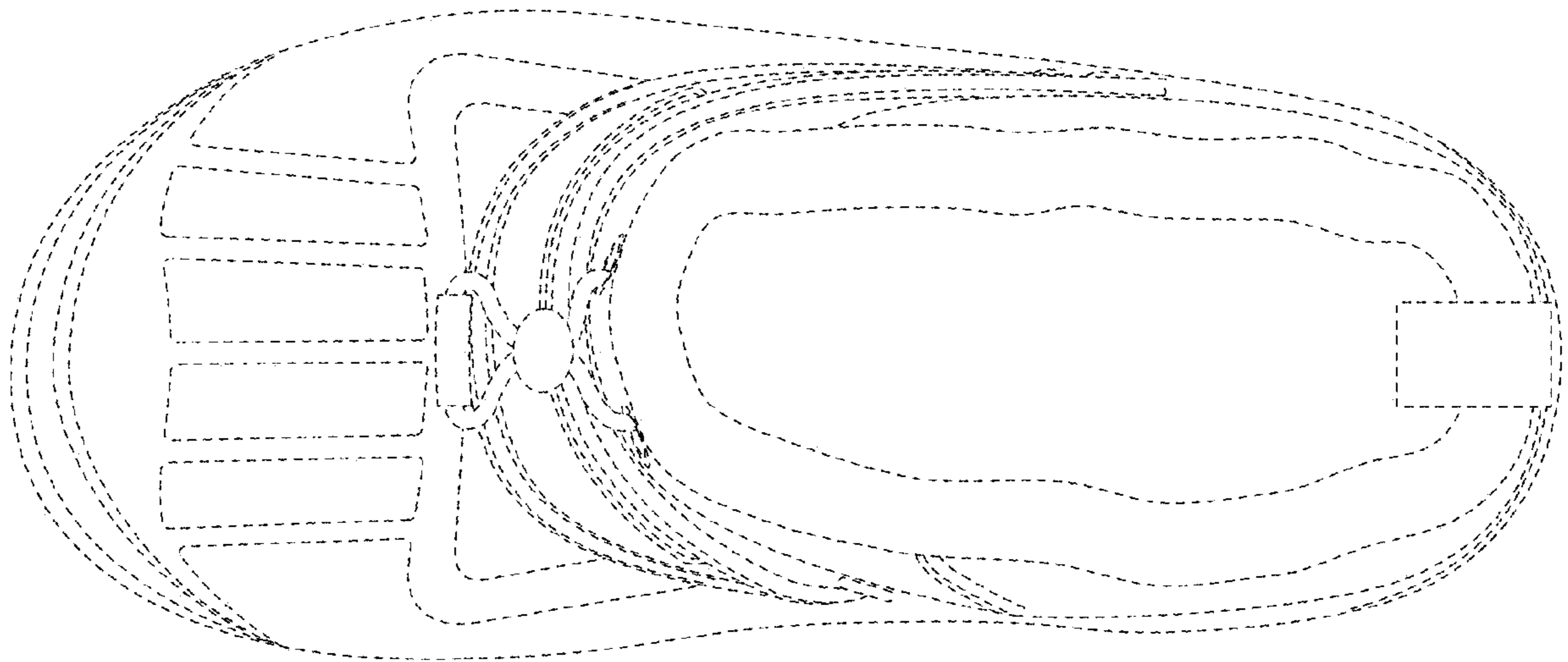


FIG. 6

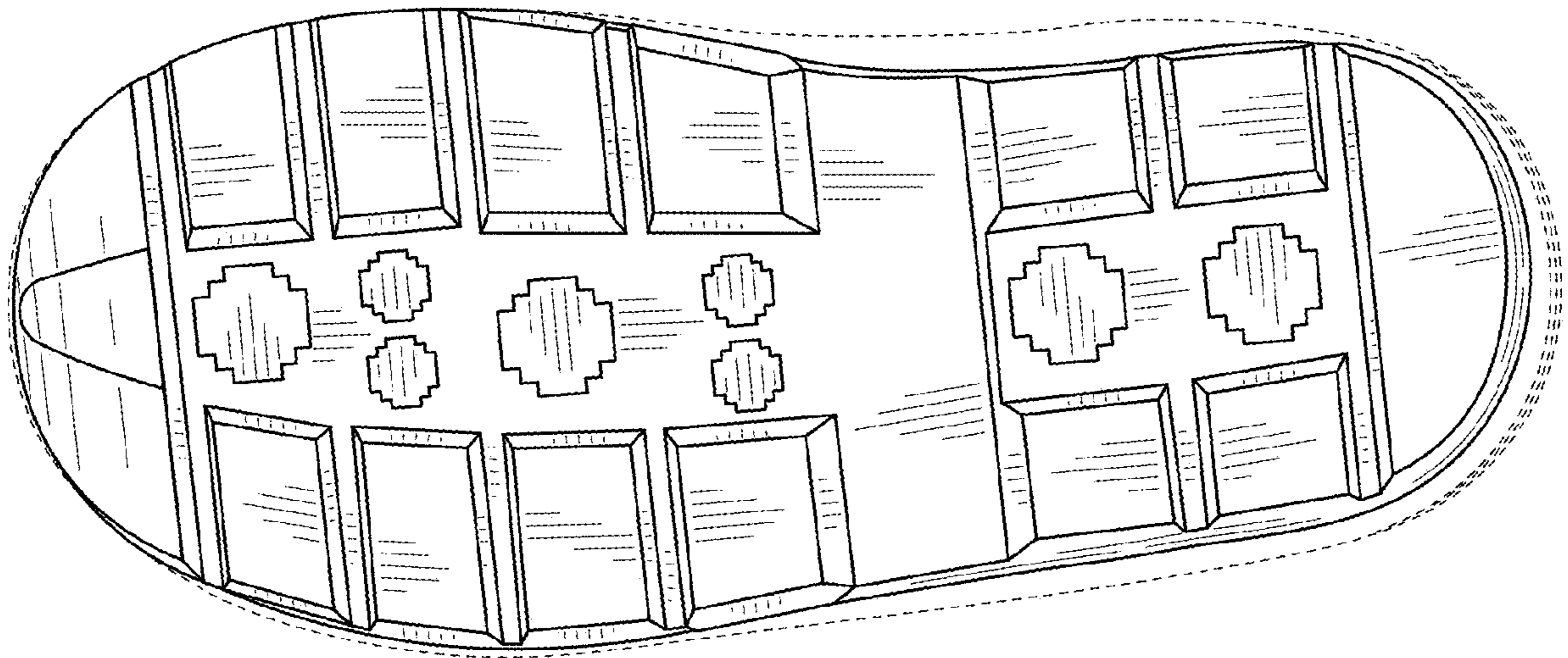


FIG. 7

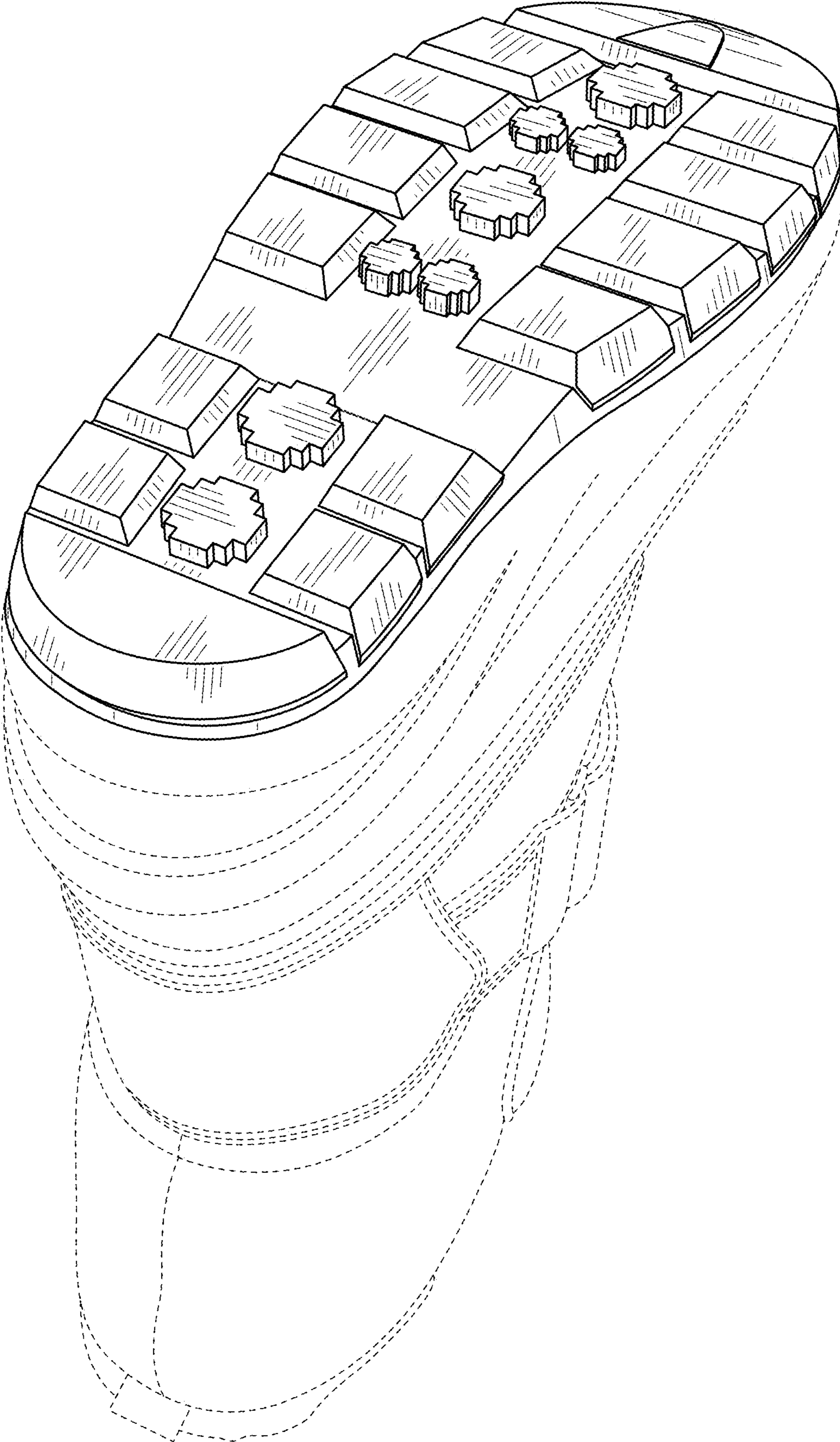


FIG. 8