



US00D955092S

(12) **United States Design Patent**
Shi

(10) **Patent No.:** **US D955,092 S**

(45) **Date of Patent:** **** Jun. 21, 2022**

(54) **ROLLER SHOE**

(71) Applicant: **Qiqi Shi**, Susong County (CN)

(72) Inventor: **Qiqi Shi**, Susong County (CN)

(**) Term: **15 Years**

(21) Appl. No.: **29/775,267**

(22) Filed: **Mar. 22, 2021**

(51) **LOC (13) Cl.** **02-04**

(52) **U.S. Cl.**

USPC **D2/904**; D21/763

(58) **Field of Classification Search**

USPC D2/896, 897, 900, 902, 904, 905, 907,
D2/908, 943, 944, 946, 947, 969, 972;
D21/760, 763, 764, 771

CPC A43B 1/00; A43B 1/10; A43B 1/12; A43B
1/14; A43B 5/00; A43B 5/001; A43B
5/002; A43B 5/003; A43B 5/005; A43B
5/007; A43B 5/008; A43B 5/02; A43B
5/06; A43B 5/10; A43B 5/12; A43B 5/14;
A43B 5/16; A43B 5/1608; A43B 5/1633;
A43B 5/1641; A43B 5/1666; A63C 1/22;
A63C 1/02; A63C 17/00; A63C 17/0006;
A63C 17/18; A63C 17/20; A63C
17/0026; A63C 17/0033; A63C 17/008;
A63C 17/22; A63C 17/223; A63C
17/226; A63C 2017/0053

See application file for complete search history.

(56) **References Cited**

U.S. PATENT DOCUMENTS

- 3,339,936 A * 9/1967 Hamlin A63C 17/1409
280/11.233
- 3,843,146 A * 10/1974 Hiraki A63C 17/02
280/11.209
- D236,741 S * 9/1975 Smith 280/11.233
- D237,991 S * 12/1975 Famolare D2/904
- 3,968,973 A * 7/1976 McCormack A63C 17/1436
280/11.209
- D241,868 S * 10/1976 Smith D21/764

- D258,605 S * 3/1981 Sanders D21/763
- 4,294,455 A * 10/1981 Krueger A63C 17/02
280/11.209
- 4,328,627 A * 5/1982 Sanders A43B 5/1658
280/11.209
- D269,222 S * 6/1983 Olivieri D2/904
- D284,614 S * 7/1986 Bernault D2/907
- D300,049 S * 2/1989 Klamer D21/763

(Continued)

OTHER PUBLICATIONS

FTYUNWE Roller Skates for Women Outdoor, Parkour Shoes with
Wheels for Girls/Boys, Kick Rollers Shoes Retractable Adults/
Kids, Quad Roller Skates Men, Unisex Skating Shoes Recreation
Sneakers, Brand: FTYUNWE, Jul. 1, 2021. (Year: 2021).*

(Continued)

Primary Examiner — Elizabeth J Oswecki

(74) *Attorney, Agent, or Firm* — Xiaofang Zhong; Law
Office of Xiaofang Zhong, PLLC

(57) **CLAIM**

The ornamental design for a roller shoe, as shown and
described.

DESCRIPTION

FIG. 1 is a perspective view of a roller shoe showing my new
design;

FIG. 2 is a front elevational view thereof;

FIG. 3 is a rear elevational view thereof;

FIG. 4 is a right side elevational view thereof;

FIG. 5 is a left side elevational view thereof;

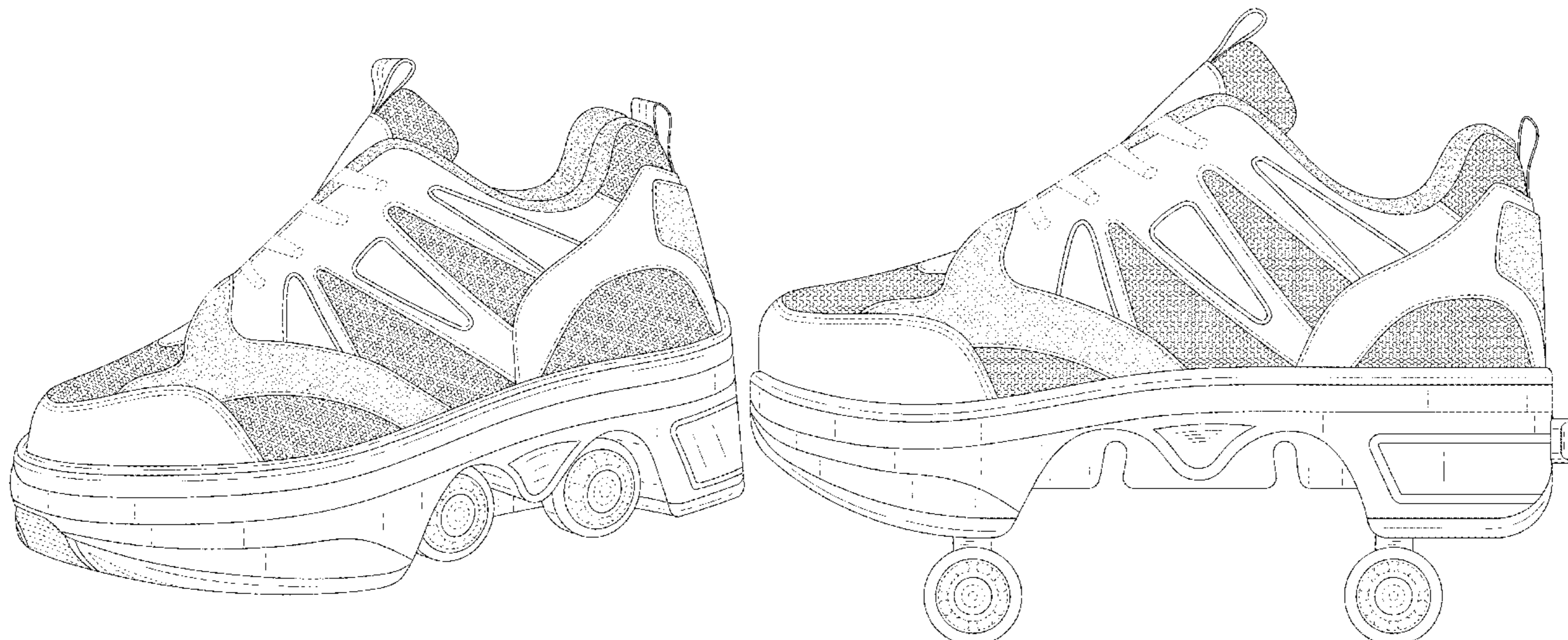
FIG. 6 is a top plan view thereof;

FIG. 7 is a bottom plan view thereof; and,

FIG. 8 is another perspective view thereof, with the wheels
of the roller shoe in an unfolded position.

The broken lines in the drawings depict portions of the roller
shoe that form no part of the claimed design.

1 Claim, 8 Drawing Sheets



(56)

References Cited

U.S. PATENT DOCUMENTS

4,817,974 A * 4/1989 Bergeron A63C 17/04
280/11.209
D315,940 S 4/1991 Wehmeyer
5,398,970 A * 3/1995 Tucky A43B 5/1633
280/841
5,511,824 A * 4/1996 Kim A63C 17/20
280/841
5,590,890 A * 1/1997 Rosso A63C 17/24
301/5.303
D388,145 S * 12/1997 Lee D21/763
D397,392 S 8/1998 Lee
D414,917 S * 10/1999 Meibock D2/904
6,065,762 A * 5/2000 Brelvi A63C 17/24
280/11.233
6,120,039 A 9/2000 Clementi
D436,716 S * 1/2001 Mateu D2/904
6,406,038 B2 * 6/2002 Adams A63C 17/08
301/5.301
D459,777 S 7/2002 Yang
6,698,769 B2 * 3/2004 Adams A63C 17/20
280/11.233

6,764,082 B2 7/2004 Roderick
D513,296 S * 12/2005 Lin D21/763
7,063,336 B2 * 6/2006 Adams A63C 17/24
280/841
D556,282 S 11/2007 Yeh
7,497,446 B2 3/2009 Yeongjae
D595,798 S 7/2009 Collins
7,610,972 B2 * 11/2009 Adams A43B 3/34
180/181
D643,615 S * 8/2011 Avar D2/972
D797,226 S 9/2017 Wu
D866,133 S 11/2019 Adams
D903,800 S 12/2020 Guo
2006/0022417 A1 2/2006 Roderick

OTHER PUBLICATIONS

Fashiums Deformation Roller Skates High Top Running Sports Shoes Double-Row Deform Wheel Skating Shoes, Brand: Fashiums, Sep. 16, 2020. (Year: 2020).*
BFOEL Spider Roller Skates Light up Shoes with USB Chargable Led Sport Sneaker for Boys Girls Kids Birthday Thanksgiving Christmas Day Best Gift, BROEL, Oct. 5, 2021. (Year: 2021).*

* cited by examiner

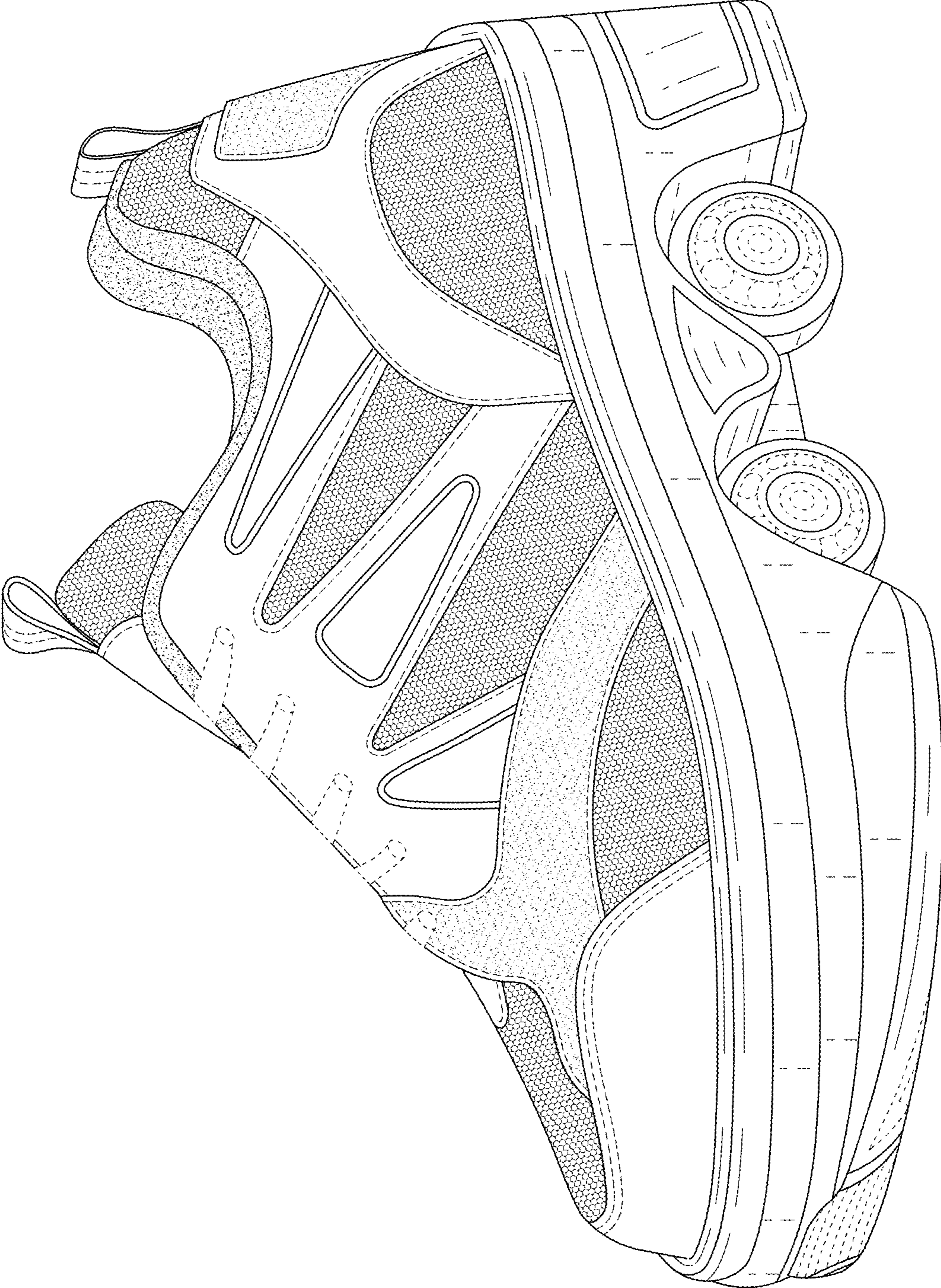


FIG. 1

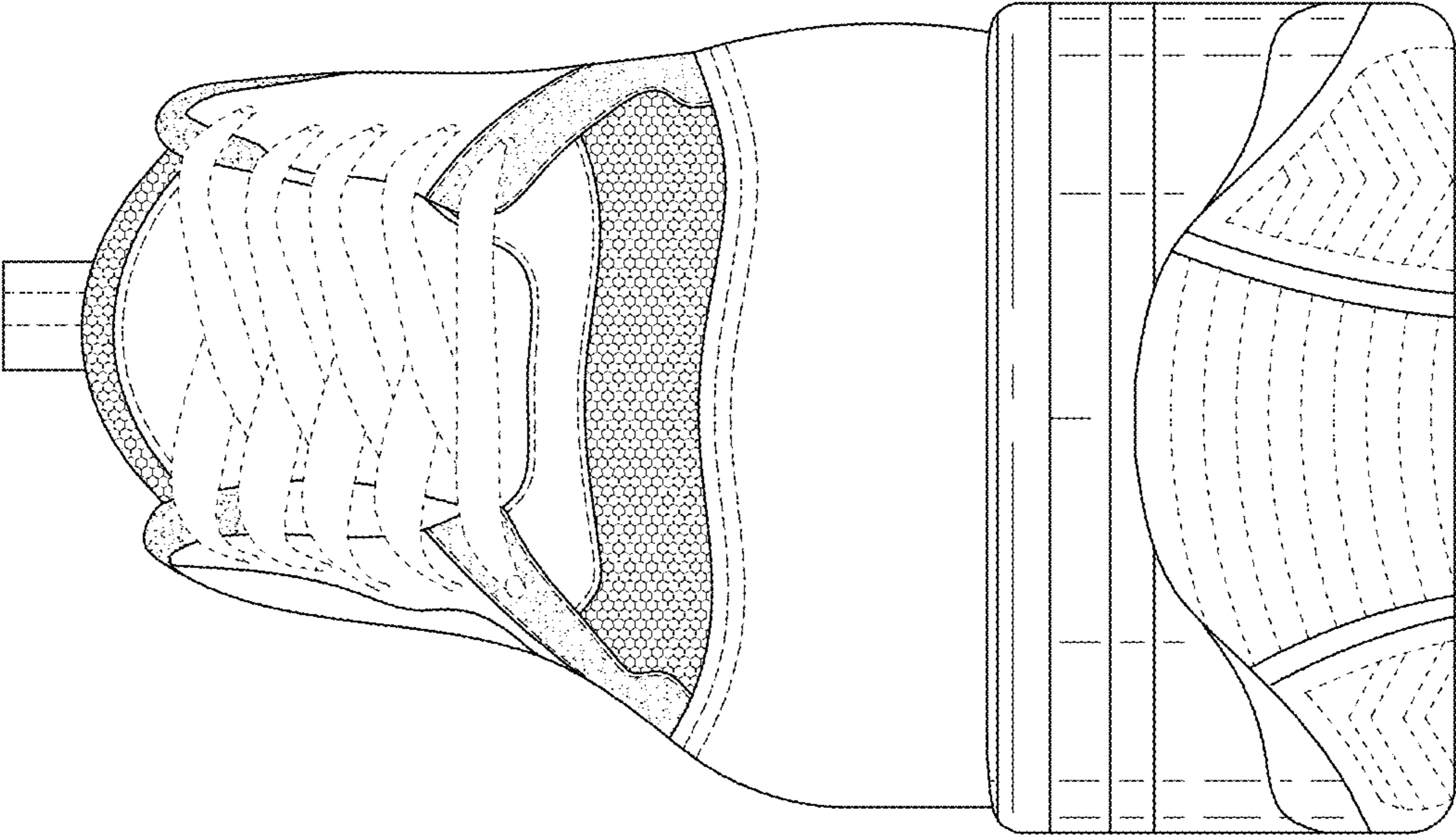


FIG. 2

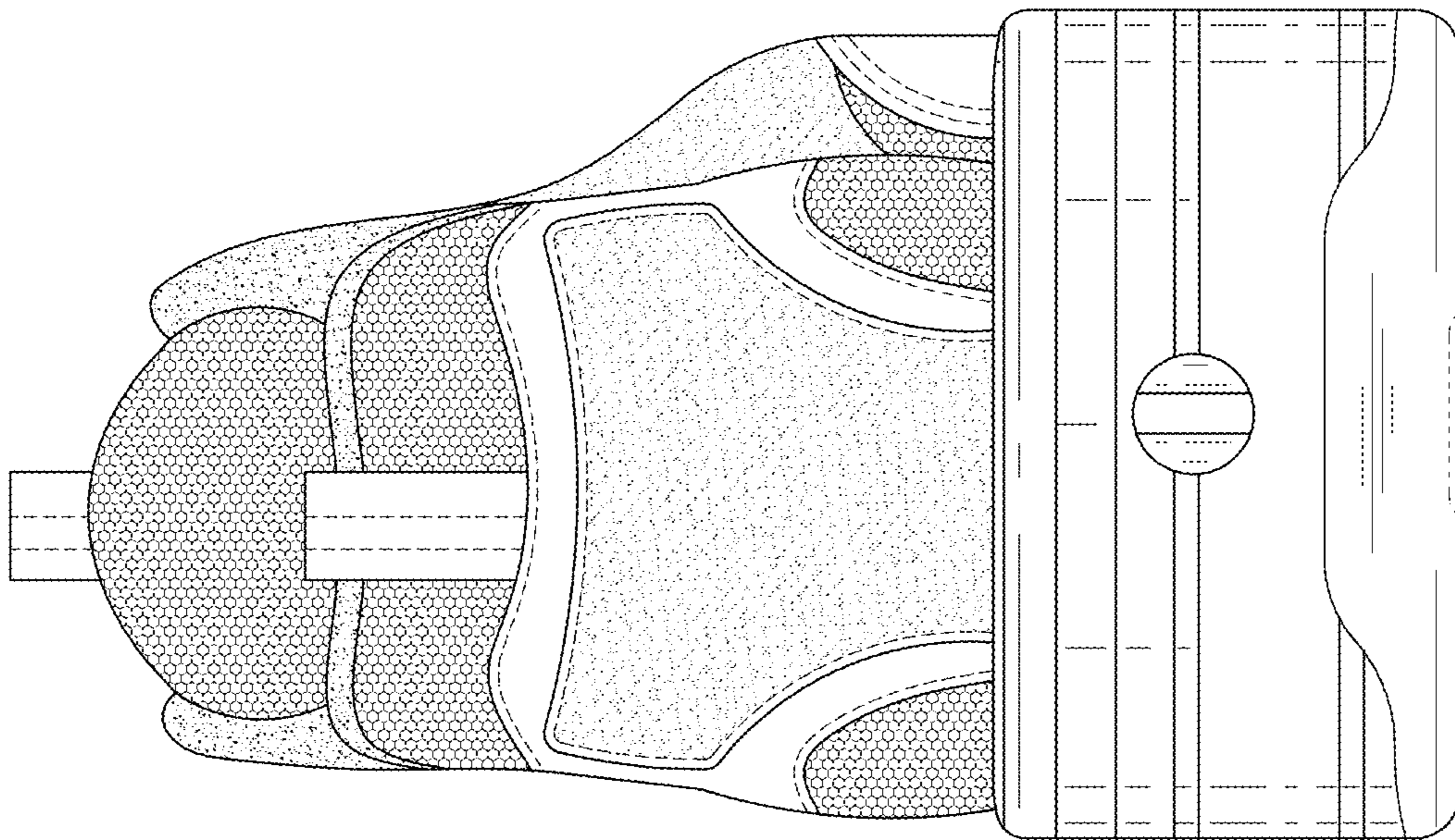


FIG. 3

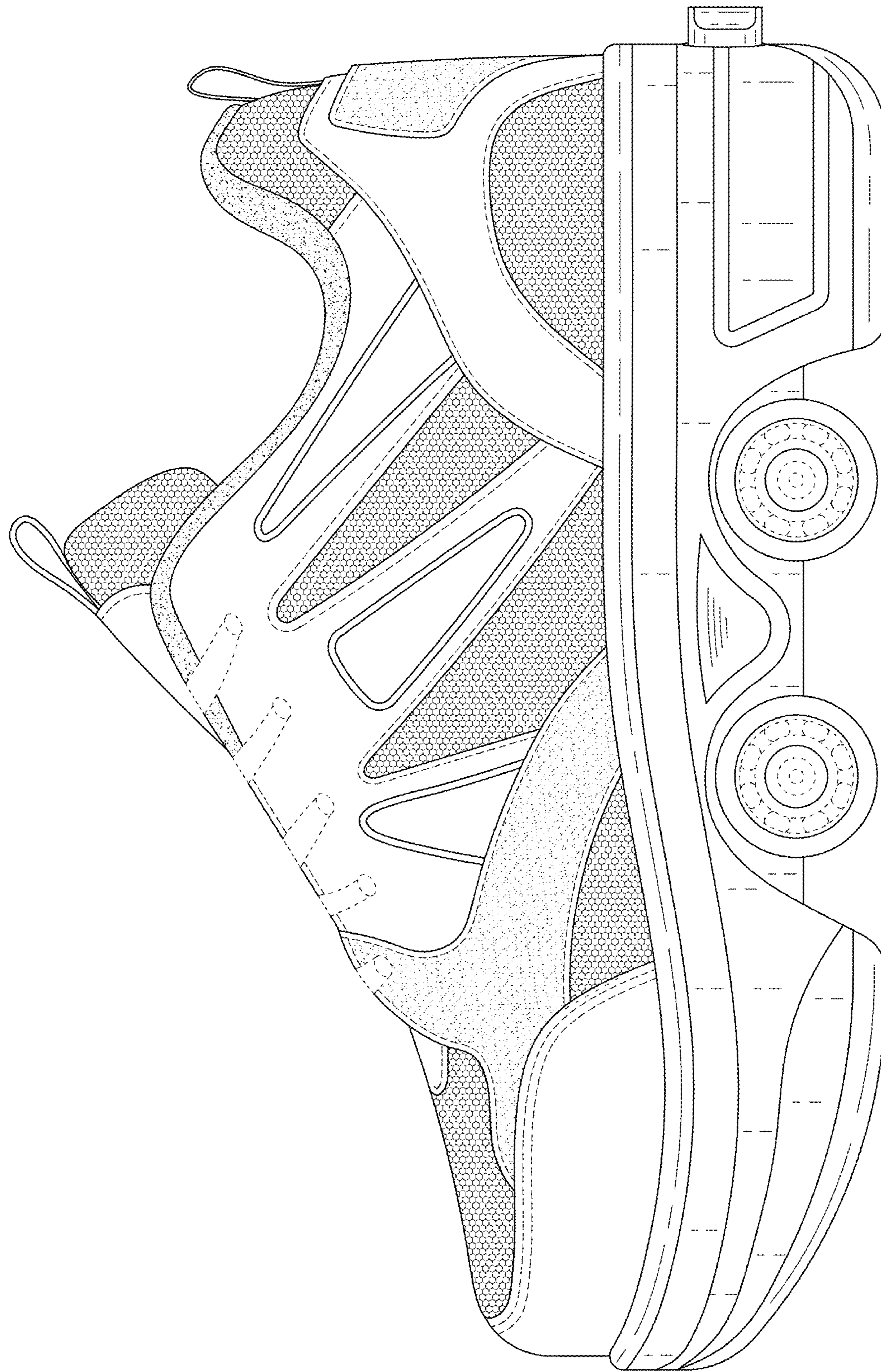


FIG. 4

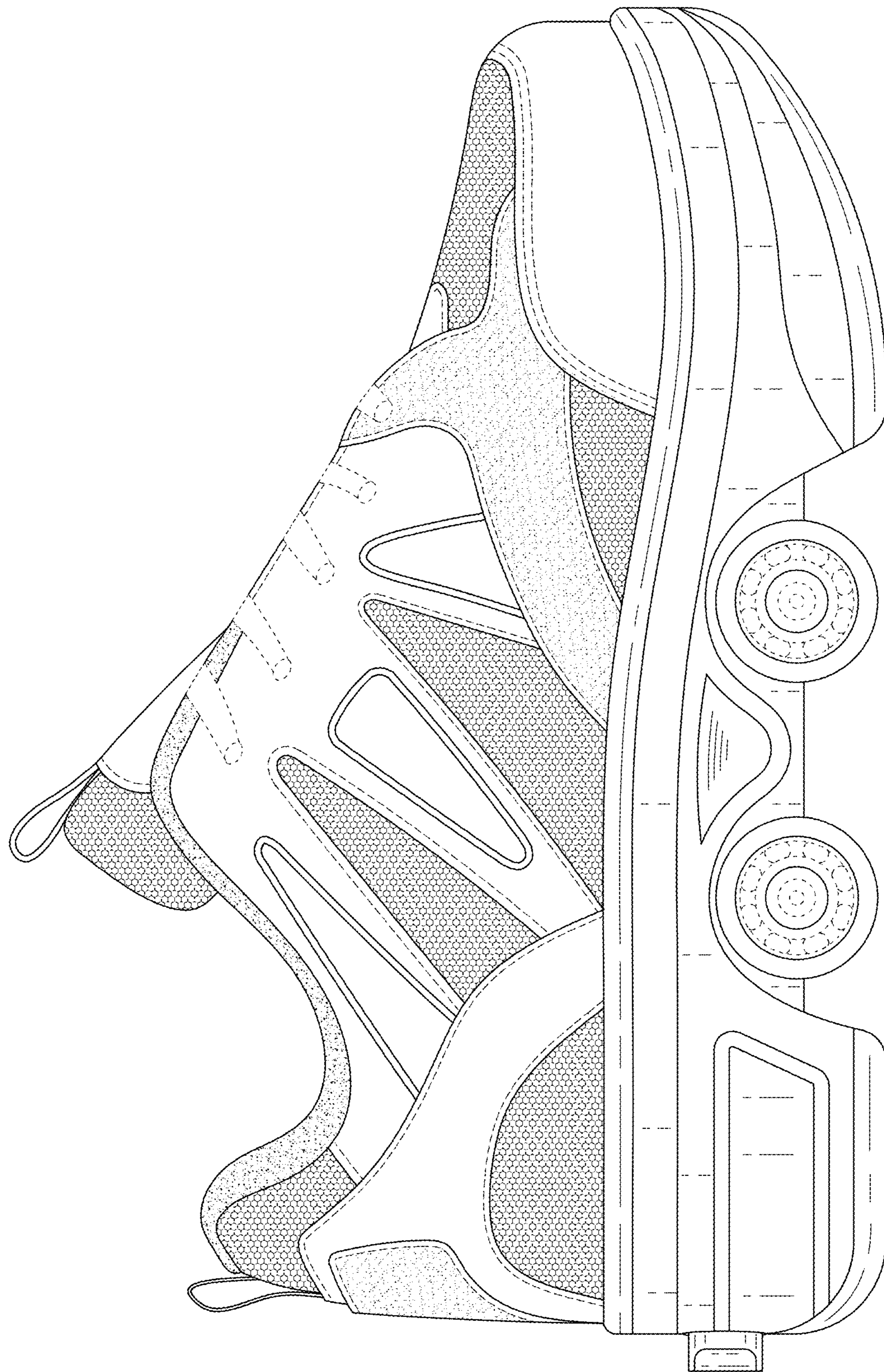


FIG. 5

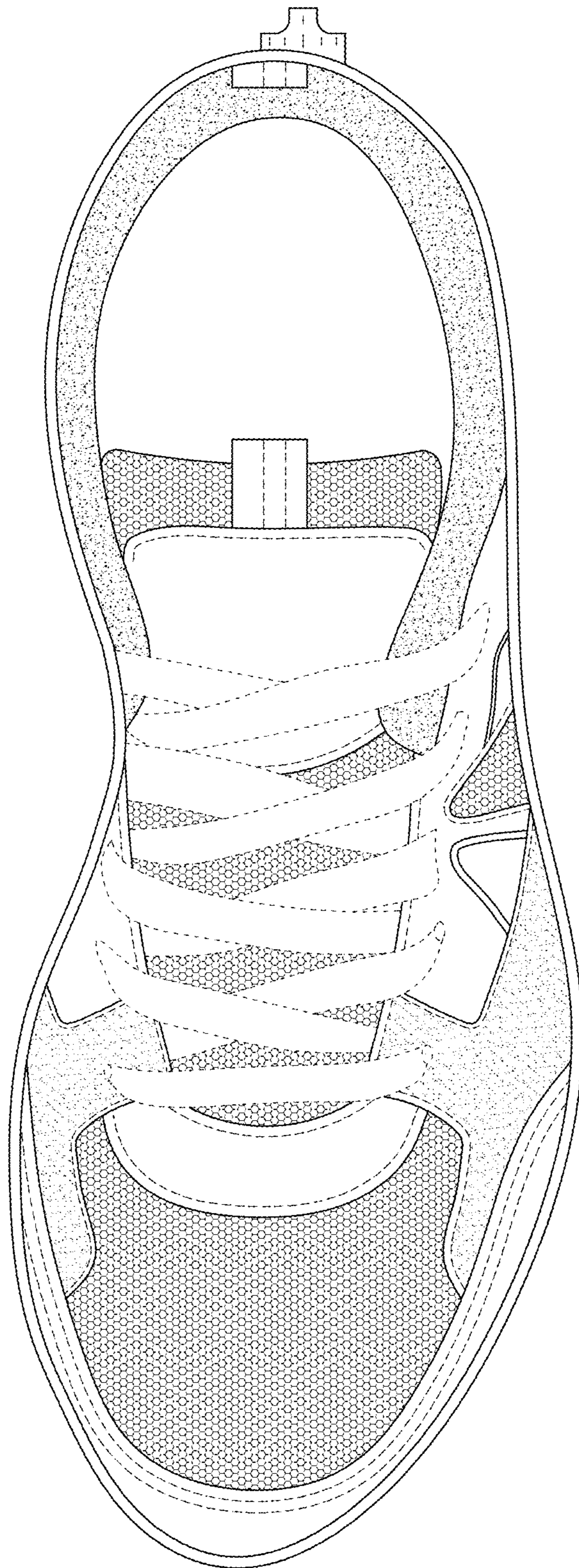


FIG. 6

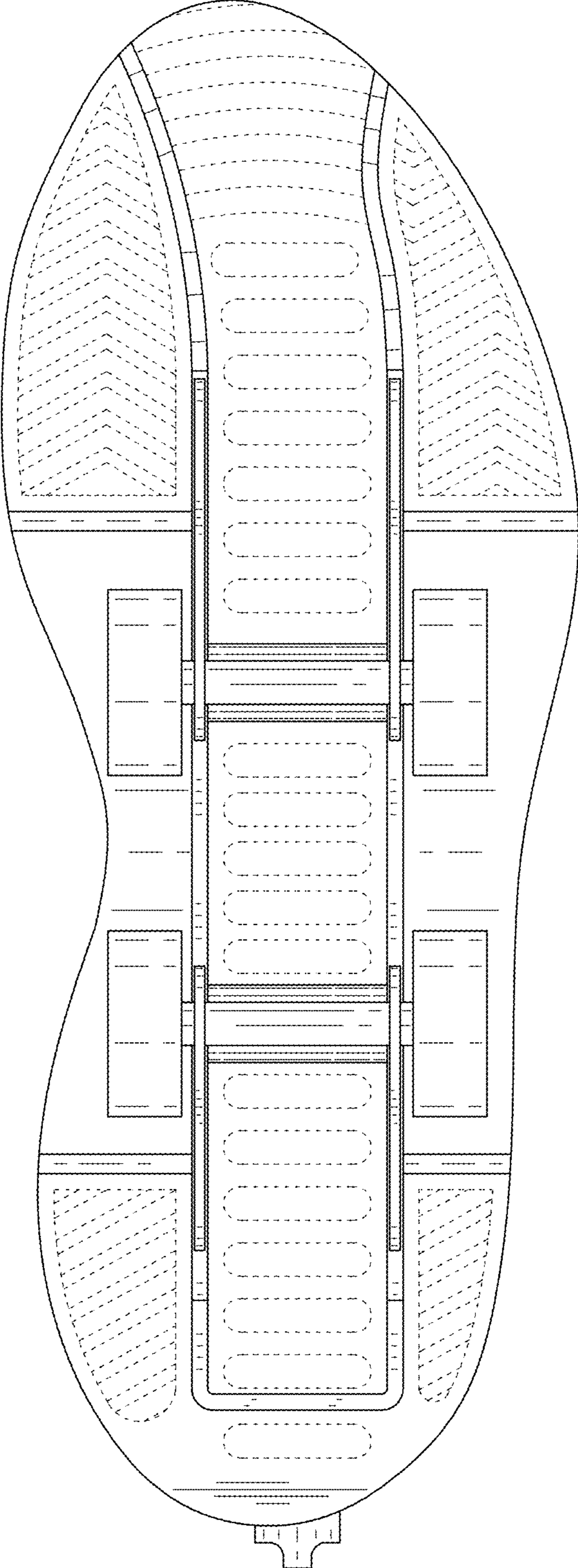


FIG. 7

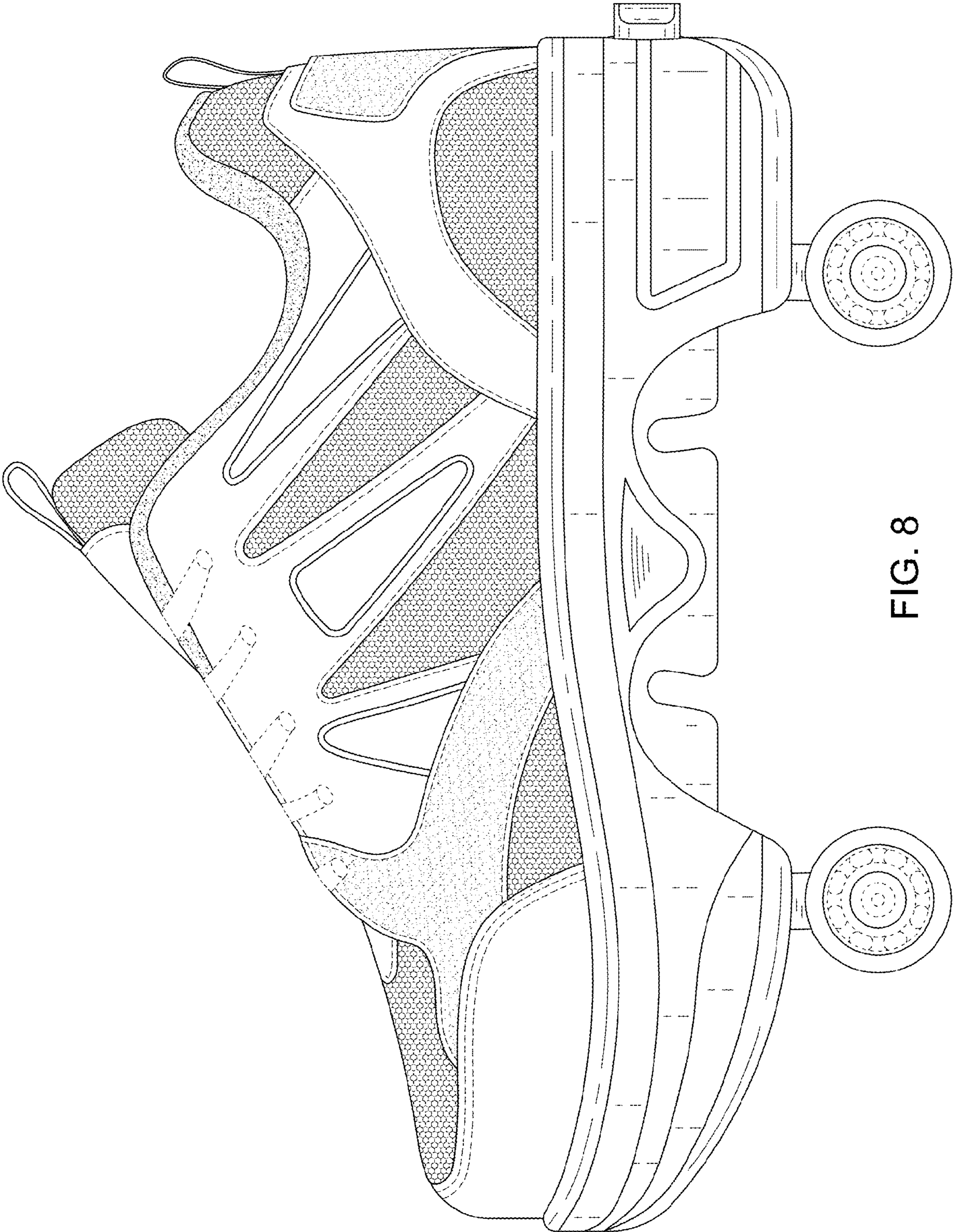


FIG. 8