

US00D955091S

(12) **United States Design Patent**  
**Kroshinskaya**

(10) **Patent No.:** **US D955,091 S**

(45) **Date of Patent:** **\*\* Jun. 21, 2022**

(54) **FOOTWEAR**

(71) Applicant: **Target Brands, Inc.**, Minneapolis, MN (US)

(72) Inventor: **Masha Kroshinskaya**, Minneapolis, MN (US)

(73) Assignee: **Target Brands, Inc.**, Minneapolis, MN (US)

(\*\*) Term: **15 Years**

(21) Appl. No.: **29/746,646**

(22) Filed: **Aug. 14, 2020**

(51) **LOC (13) Cl.** ..... **02-04**

(52) **U.S. Cl.**  
USPC ..... **D2/900**; D2/903; D2/916

(58) **Field of Classification Search**  
USPC ..... D2/900, 902, 903, 908, 916-924, 939, D2/947, 951, 953, 958, 960, 969  
CPC .... A43B 3/00; A43B 3/10; A43B 3/12; A43B 3/14; A43B 3/16; A43B 1/00; A43B 1/02; A43B 1/10; A43B 1/14; A43B 23/00; A43B 23/02; A43B 23/021; A43B 23/0215; A43B 23/025; A43B 23/026; A43B 5/00; A43B 5/08

See application file for complete search history.

(56) **References Cited**

**U.S. PATENT DOCUMENTS**

4,200,997 A	5/1980	Scheinhaus et al.
4,275,512 A	6/1981	Zeligman et al.
4,300,294 A	11/1981	Riecken
4,446,633 A	5/1984	Scheinhaus et al.
4,793,075 A	12/1988	Thatcher
4,817,302 A	4/1989	Saltsman
4,869,000 A	9/1989	York, Jr.
4,967,750 A	11/1990	Cherniak
5,056,241 A	10/1991	Young

5,205,054 A	4/1993	York, Jr.
5,423,134 A	6/1995	Bagnaia et al.
5,465,506 A	11/1995	Matis et al.
5,533,278 A	7/1996	Stein
5,561,919 A	10/1996	Gill
RE35,452 E	2/1997	Sargeant
5,687,492 A	11/1997	Muraoka
5,836,090 A	11/1998	Smith
5,901,394 A	5/1999	Greenawalt
6,021,585 A	2/2000	Cole
6,052,920 A	4/2000	Bathum
6,237,250 B1	5/2001	Aguerre

(Continued)

**FOREIGN PATENT DOCUMENTS**

CA	2514808 C	2/2007
CN	205492741	8/2016

(Continued)

*Primary Examiner* — Elizabeth J Oswecki

*Assistant Examiner* — Yelizaveta Y Masalimova

(74) *Attorney, Agent, or Firm* — Merchant & Gould P.C.

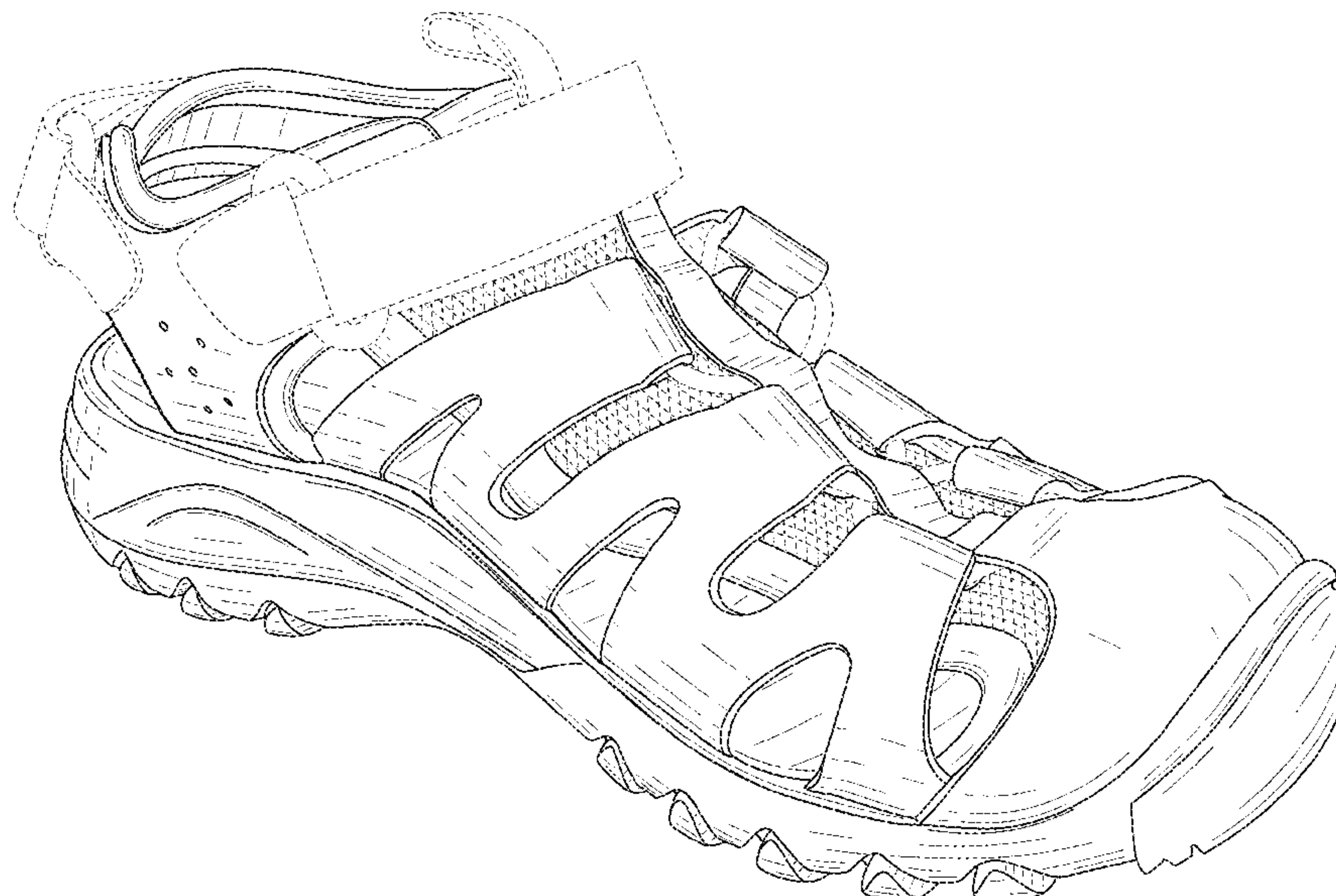
(57) **CLAIM**

The ornamental design for a footwear, as shown and described.

**DESCRIPTION**

FIG. 1 is a front, top and right side perspective view of a footwear, showing the new design;  
FIG. 2 is a bottom and right side perspective view thereof;  
FIG. 3 is a right side elevation view thereof;  
FIG. 4 is a left side elevation view thereof;  
FIG. 5 is a front elevation view thereof;  
FIG. 6 is a back elevation view thereof;  
FIG. 7 is a top plan view thereof; and,  
FIG. 8 is a bottom plan view thereof.  
The broken lines in the drawings show portions of the footwear that form no part of the claimed design.

**1 Claim, 8 Drawing Sheets**



(56)

References Cited

U.S. PATENT DOCUMENTS

6,543,157 B2 4/2003 Pan  
 6,606,803 B1 8/2003 Ritter et al.  
 6,637,130 B2 10/2003 Urie et al.  
 6,694,641 B1 2/2004 Gill  
 6,772,541 B1 8/2004 Ritter et al.  
 7,103,993 B2 9/2006 Sakai  
 D534,718 S \* 1/2007 Keen ..... D2/969  
 7,320,189 B2 \* 1/2008 Clark ..... A43B 3/24  
 36/50.1  
 D574,592 S \* 8/2008 St-Louis ..... D2/969  
 D574,593 S \* 8/2008 St-Louis ..... D2/969  
 7,794,417 B1 9/2010 Zimmerman  
 7,823,299 B1 11/2010 Brigham  
 8,460,593 B2 6/2013 Fogg et al.  
 D698,532 S \* 2/2014 Mochen ..... D2/916  
 8,839,529 B1 9/2014 Levy  
 D730,021 S \* 5/2015 Conchieri ..... D2/902  
 D769,587 S \* 10/2016 Chanthavong ..... D2/907  
 9,468,252 B2 10/2016 Dematteo  
 9,955,755 B2 5/2018 Heid  
 D829,418 S \* 10/2018 Lee ..... A43B 3/248  
 D2/900  
 10,278,454 B2 5/2019 Kohatsu et al.  
 D851,368 S \* 6/2019 Fuerst, Sr. .... D2/916  
 D882,217 S \* 4/2020 Zhang ..... D2/951

D909,020 S \* 2/2021 Gvasalia ..... D2/907  
 D909,025 S \* 2/2021 Fuerst, Sr. .... D2/916  
 D919,943 S \* 5/2021 Zhang ..... D2/954  
 D926,455 S \* 8/2021 Driscoll ..... D2/969  
 D943,913 S \* 2/2022 Kroshinskaya ..... D2/969  
 2006/0059712 A1 5/2006 Asham  
 2006/0288610 A1 12/2006 Laska et al.  
 2009/0313854 A1 12/2009 Clarke  
 2010/0242305 A1 9/2010 Liu  
 2012/0124860 A1 5/2012 Waddel  
 2017/0143071 A1 5/2017 Huang et al.  
 2017/0360142 A1 12/2017 Griffin  
 2019/0350304 A1 11/2019 Velazquez et al.

FOREIGN PATENT DOCUMENTS

CN 109645617 A 4/2019  
 CN 209403674 U 9/2019  
 FR 3057741 B3 4/2018  
 GB 2046077 11/1980  
 GB 2377615 B 1/2003  
 GB 2550880 A 12/2017  
 JP 3217949 9/2018  
 KR 100719159 B1 5/2007  
 KR 20100038481 A 4/2010  
 KR 20160147227 12/2016  
 WO WO 2012/031801 3/2012

\* cited by examiner



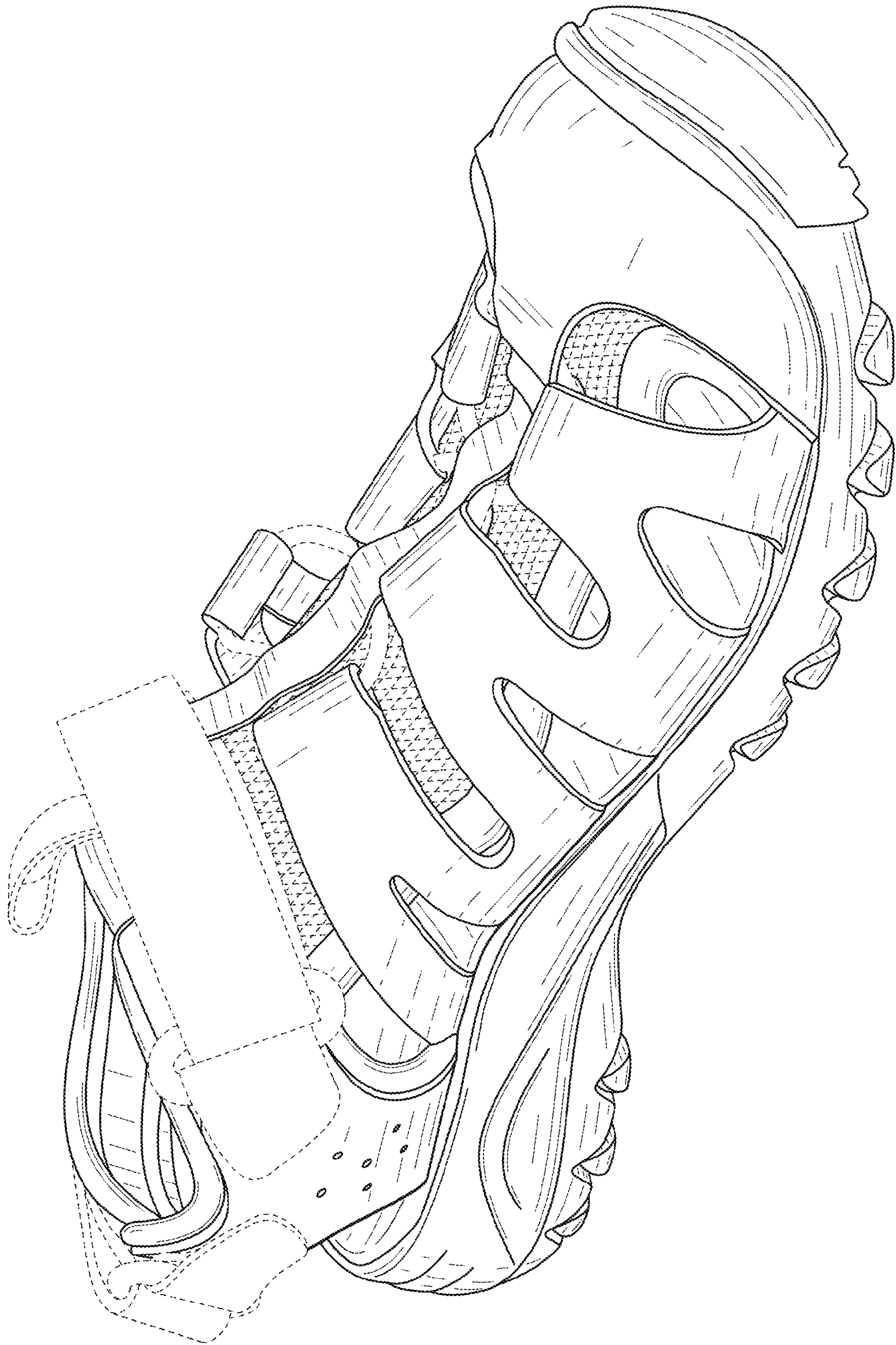


FIG. 1



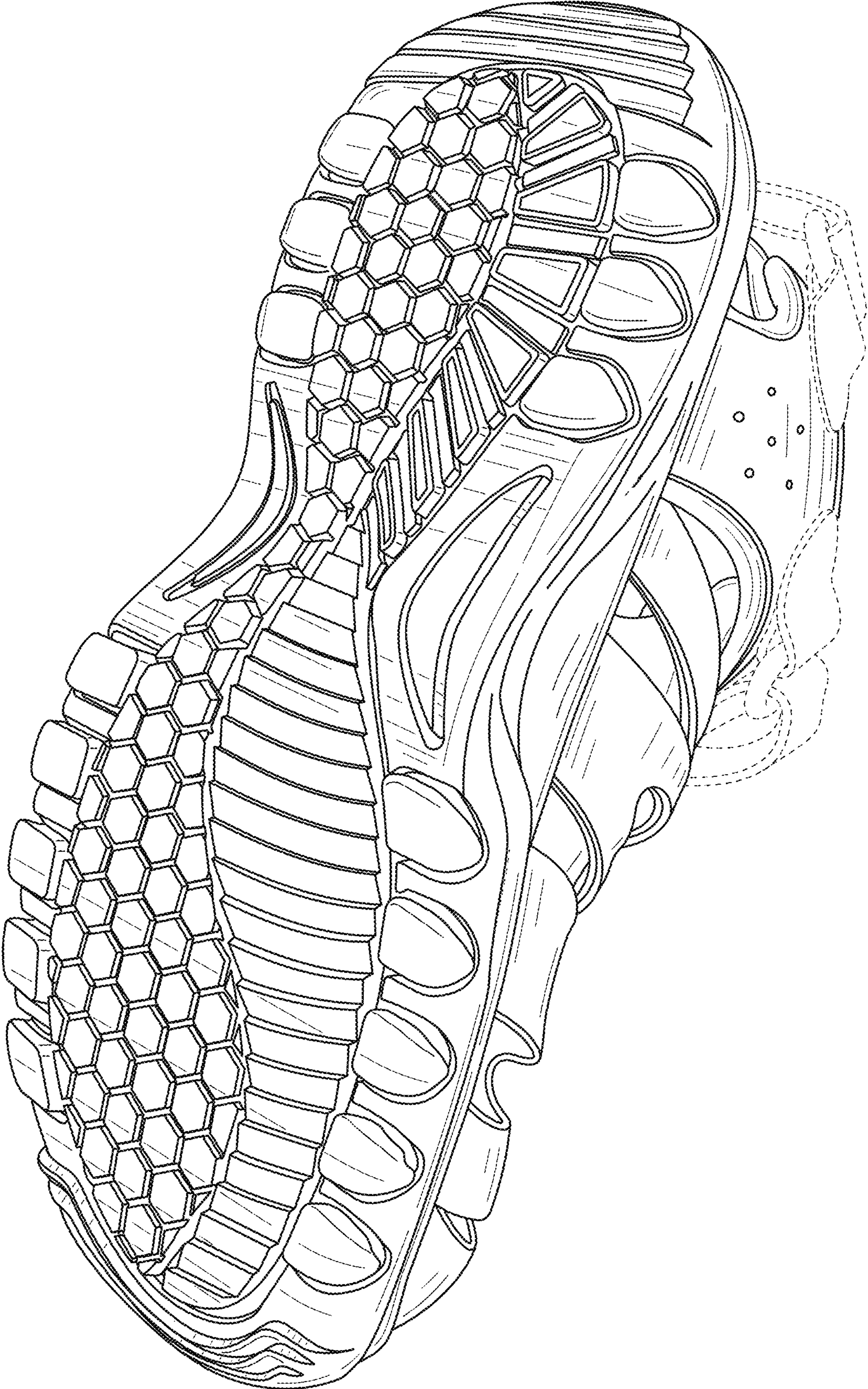


FIG. 2

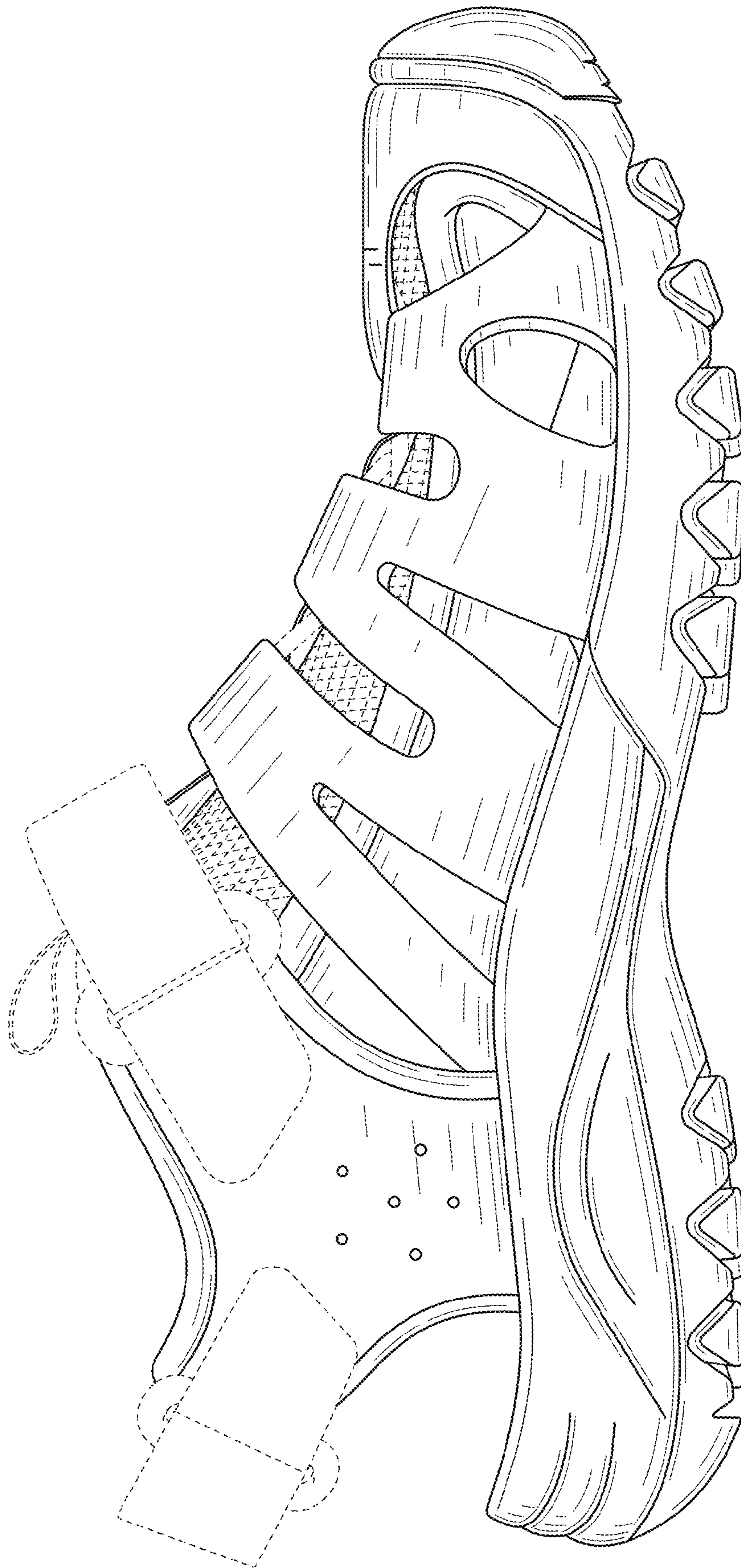


FIG. 3



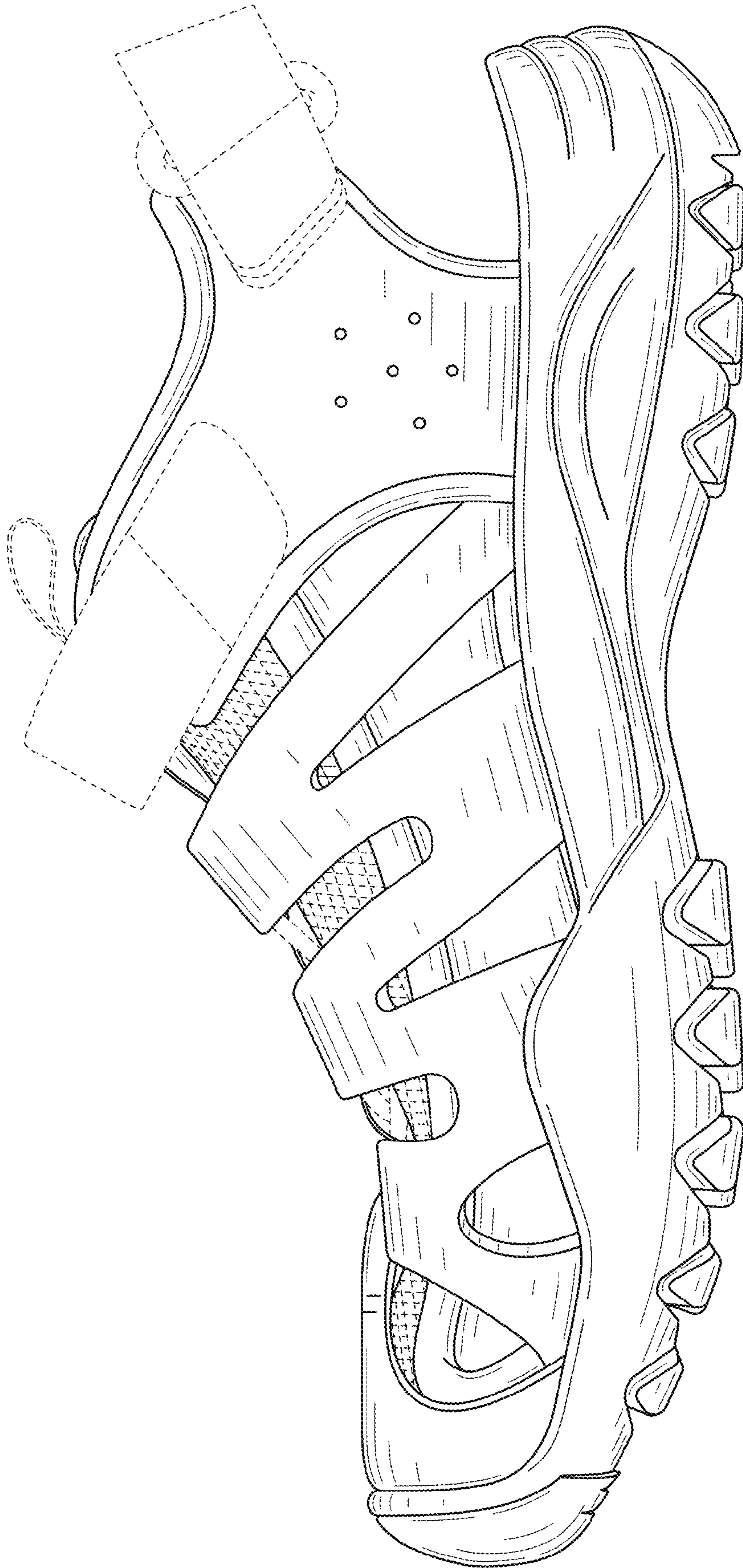


FIG. 4

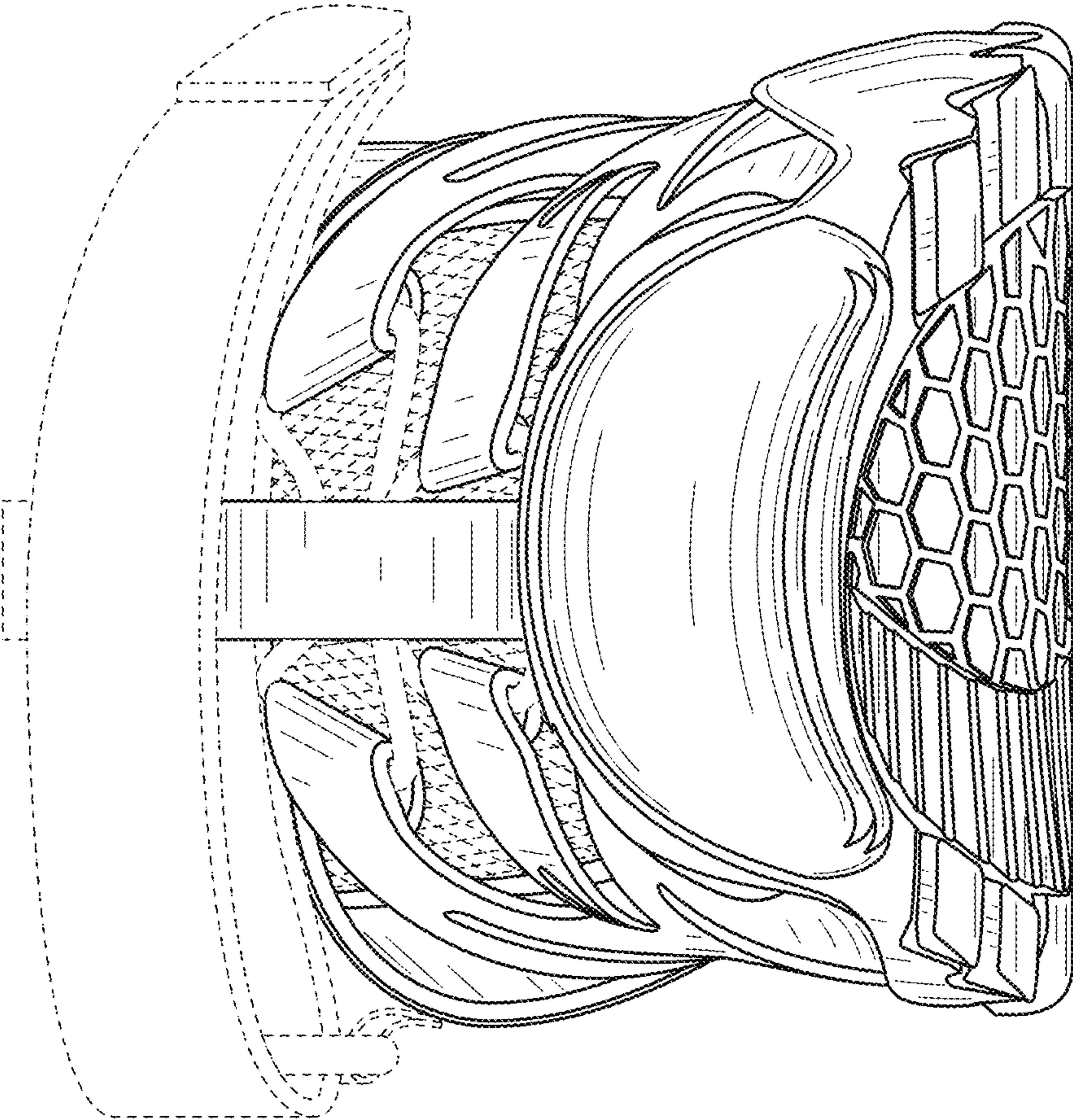


FIG. 5

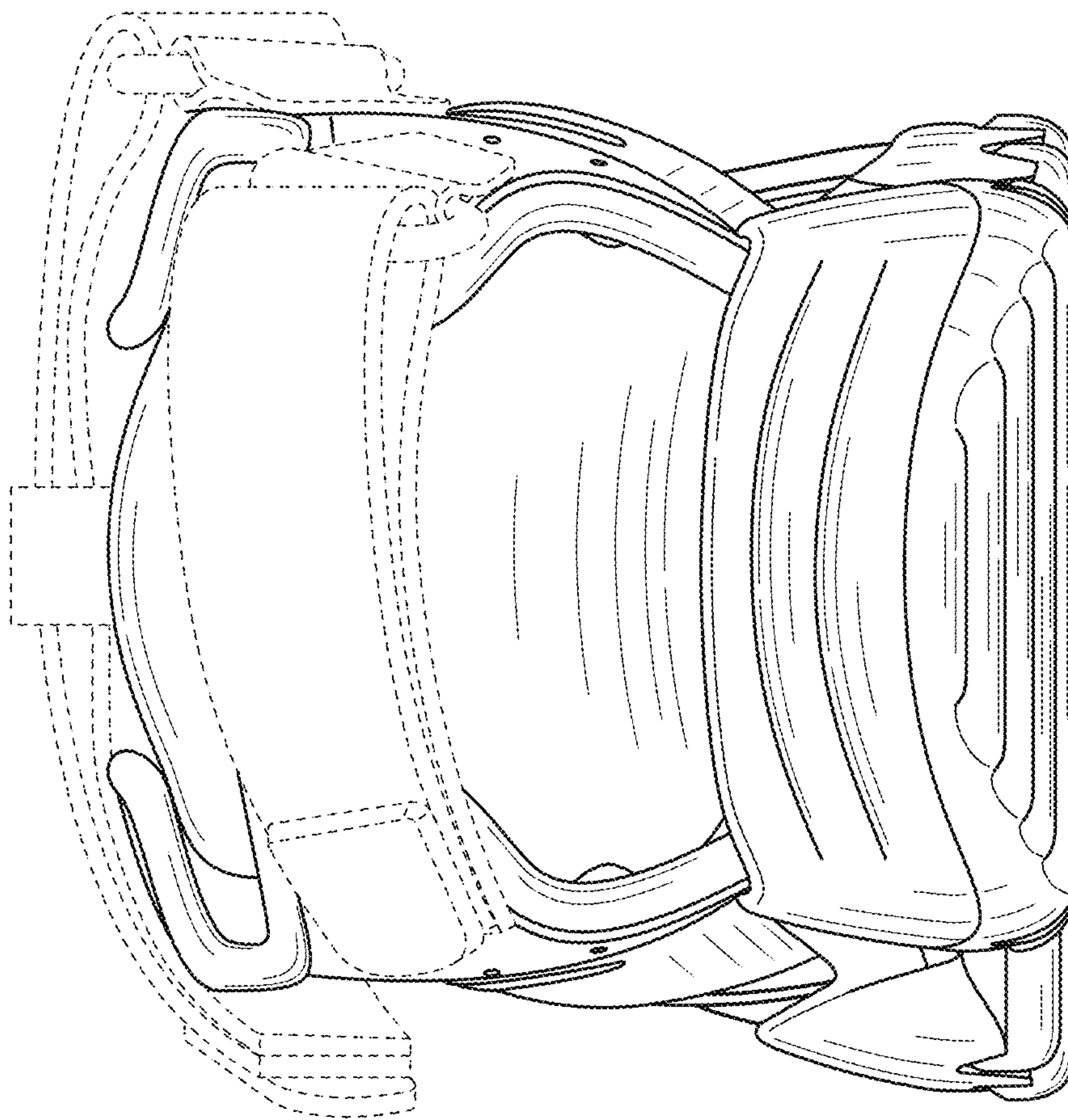


FIG. 6



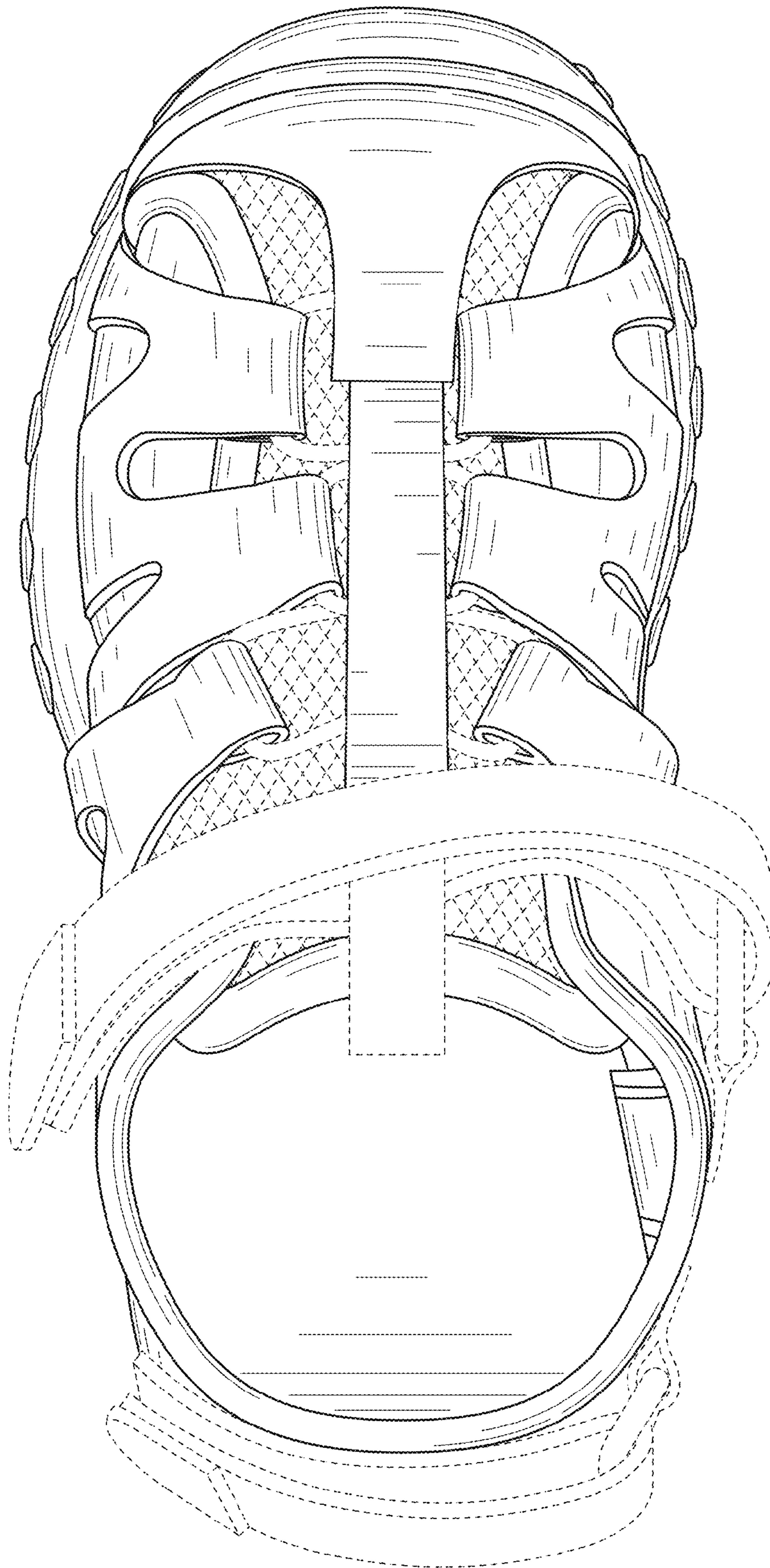


FIG. 7

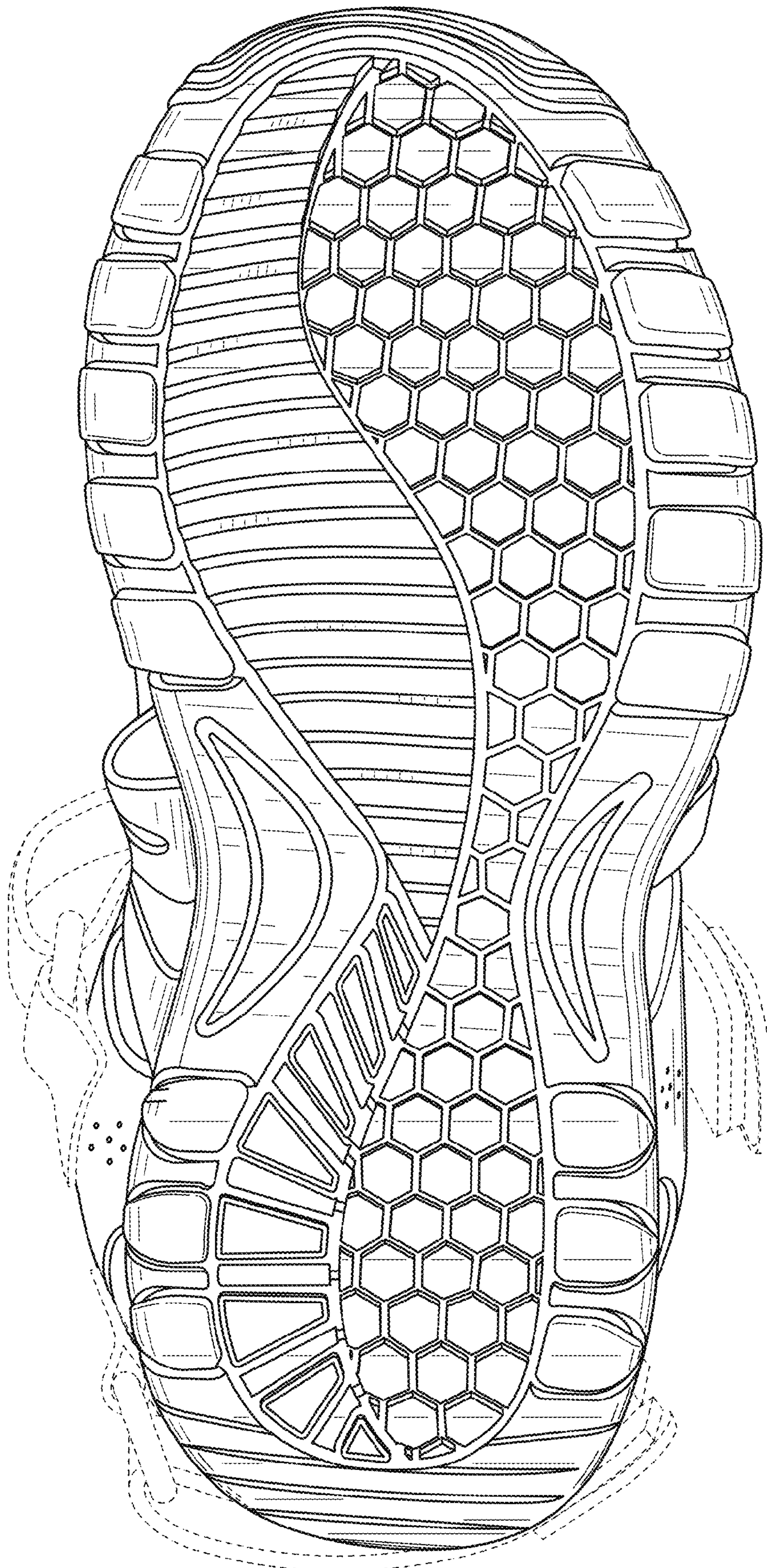


FIG. 8