



US00D955088S

(12) **United States Design Patent** (10) **Patent No.:** **US D955,088 S**
Hopwood et al. (45) **Date of Patent:** **** *Jun. 21, 2022**

(54) **GARMENT**

(71) Applicant: **Globe International Nominees Pty Limited**, Port Melbourne (AU)

(72) Inventors: **Jade Hopwood**, Port Melbourne (AU); **Thain Taylor**, Rhodes (AU)

(73) Assignee: **Globe International Nominees Pty Limited**, Port Melbourne (AU)

(*) Notice: This patent is subject to a terminal disclaimer.

(**) Term: **15 Years**

(21) Appl. No.: **29/763,419**

(22) Filed: **Dec. 22, 2020**

(30) **Foreign Application Priority Data**

Jun. 30, 2020 (AU) 202013555

(51) **LOC (13) Cl.** **02-02**

(52) **U.S. Cl.**
USPC **D2/857; D2/742**

(58) **Field of Classification Search**
USPC **D2/857, 728, 791, 742**

(Continued)

(56) **References Cited**

U.S. PATENT DOCUMENTS

D393,141 S * 4/1998 Glycenfer D2/728
D655,482 S * 3/2012 Morales D2/857

(Continued)

OTHER PUBLICATIONS

FXD Men's LS.1 Lightweight Quick Dry Work Short, posted May 20, 2020 [online], (retrieved Oct. 26, 2021). Retrieved from the internet, https://www.amazon.com/FXD-LS-1-Lightweight-Quick-Short/dp/B088Y55ZBD?ref_=ast_sto_dp&th=1&psc=1 (Year: 2020).*

(Continued)

Primary Examiner — Kevin K Rudzinski

Assistant Examiner — J. Thorn, Sr.

(74) *Attorney, Agent, or Firm* — Quarles & Brady LLP

(57) **CLAIM**

The ornamental design for a garment, as shown and described.

DESCRIPTION

FIG. 1 is a front view of an ornamental design for a garment; FIG. 2 is a rear view of the garment of FIG. 1;

FIG. 3 is an enlarged detail view of a rear left pocket of the garment of FIG. 1;

FIG. 4 is an enlarged detail view of a left cargo pocket of the garment of FIG. 1;

FIG. 5 is an enlarged detail view of a right utility pocket of the garment of FIG. 1;

FIG. 6 is an enlarged detail view of a front side pocket and a welt pocket of the garment of FIG. 1;

FIG. 7 is a front view of another ornamental design for a garment;

FIG. 8 is a rear view of the garment of FIG. 7;

FIG. 9 is an enlarged detail view of a rear left pocket of the garment of FIG. 7;

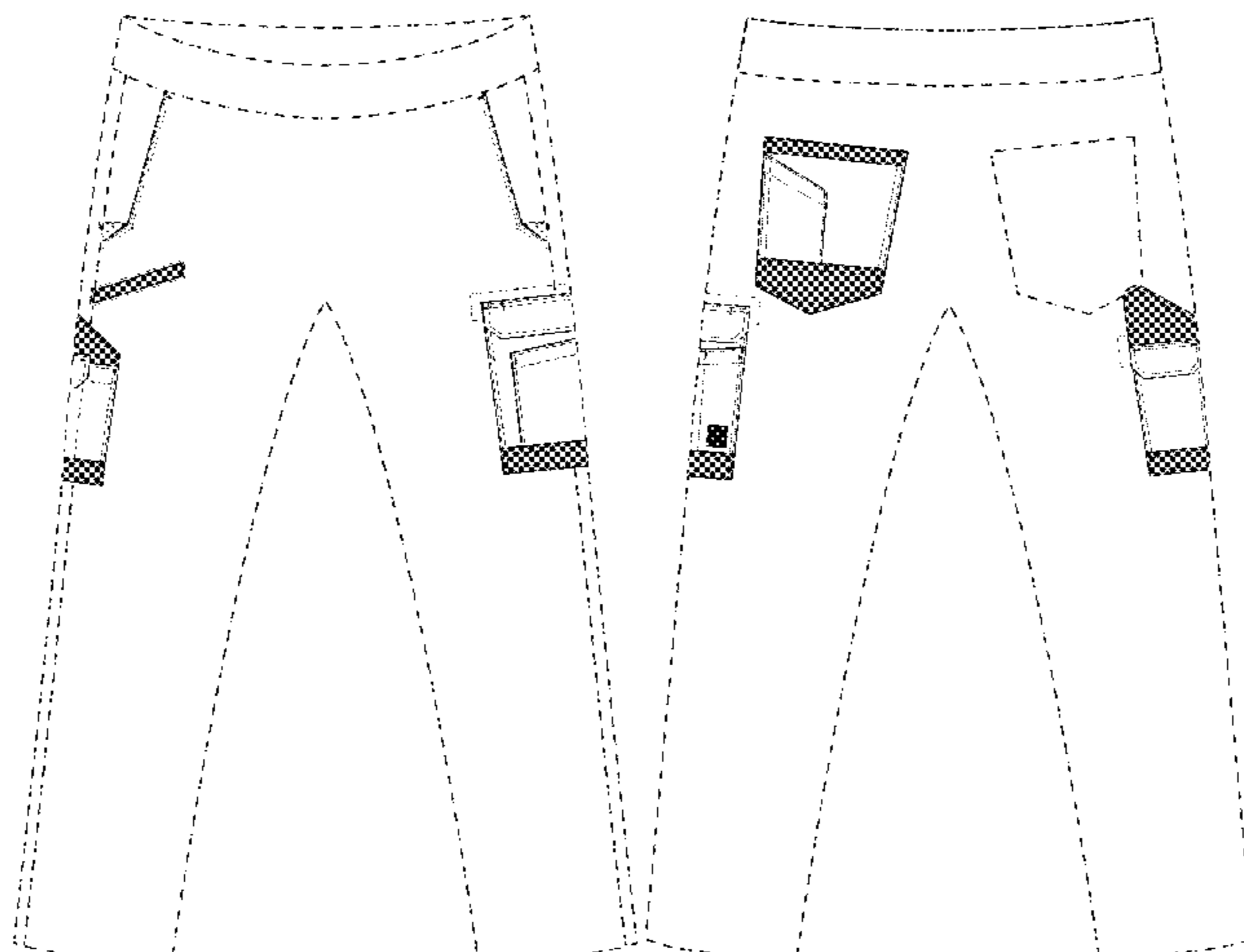
FIG. 10 is an enlarged detail view of a left cargo pocket of the garment of FIG. 7;

FIG. 11 is an enlarged detail view of a right utility pocket of the garment of FIG. 7; and,

FIG. 12 is an enlarged detail view of a front side pocket and a welt pocket of the garment of FIG. 7.

The longer dash-dash-dash broken lines in FIGS. 1, 2, 6, 7, 8, and 12 are included for the purpose of illustrating portions of the garment that form no part of the claimed design. The shorter dash-dash-dash broken lines in FIGS. 1, 2, 6, 7, 8, and 12 represent stitching and form a part of the claimed design. The dash-dash-dash broken lines in FIGS. 3, 4, 5, 9, 10, and 11 represent stitching and form a part of the claimed design. The dash-dot-dash broken lines in FIGS. 3, 4, 5, 9, 10, and 11 depict a boundary line and form no part of the claimed design. The contrast in shading represents a contrast in appearance only and does not represent any particular color, material, texture, or finish.

(Continued)



The black squiggle lines and the small black rectangles represent stitching and form a part of the claimed design. The black box in the bottom right hand corner of the left cargo pocket in FIGS. 2, 4, 8, and 10 represents a logo and forms no part of the claimed design.

1 Claim, 12 Drawing Sheets

(58) **Field of Classification Search**

CPC A41D 1/06; A41D 27/20
See application file for complete search history.

(56) **References Cited**

U.S. PATENT DOCUMENTS

D690,083	S	*	9/2013	Grosbol	D2/742
D838,438	S	*	1/2019	Luttrell	D2/742
D852,461	S	*	7/2019	Grosbol	D2/742

D919,235	S	*	5/2021	Li	D2/742
2015/0282535	A1	*	10/2015	Rowe	A41F 9/02 2/237
2020/0359722	A1	*	11/2020	Cleghorn	A41D 27/201

OTHER PUBLICATIONS

FXD LS•1 Khaki, posted NA [online], (retrieved Oct. 26, 2021). Retrieved from the internet, https://fxdworkwear.com/products/ls-1-khaki?pr_prod_strat=copurchase&pr_rec_pid=5995030708402&pr_ref_pid=5995030053042&pr_seq=uniform&variant=37221967954098 (Year: NA).*

FXD WP•1 Khaki, posted NA [online], (retrieved Oct. 26, 2021). Retrieved from the internet, <https://fxdworkwear.com/collections/workpants/products/wp-1-khaki?variant=37575585267890> (Year: NA).

FXD Men's WP.4 Stretch Jogger Work Pant, posted May 7, 2020 [online], (retrieved Oct. 26, 2021). Retrieved from the internet, <https://www.amazon.com/FXD-Mens-WP-4-Stretch-Jogger/dp/B0889Y3J7M?th=1> (Year: 2020).

* cited by examiner

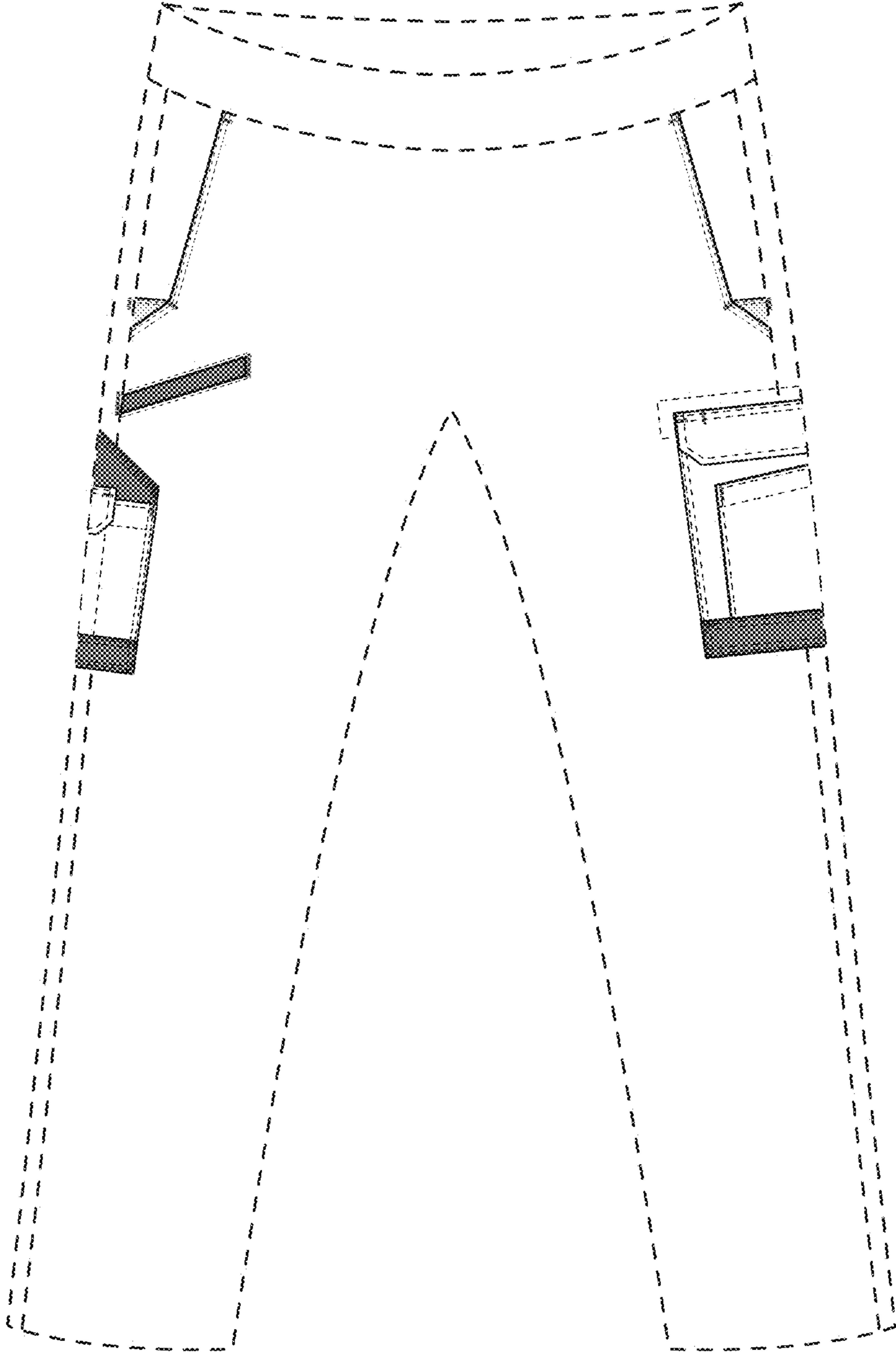


FIG. 1

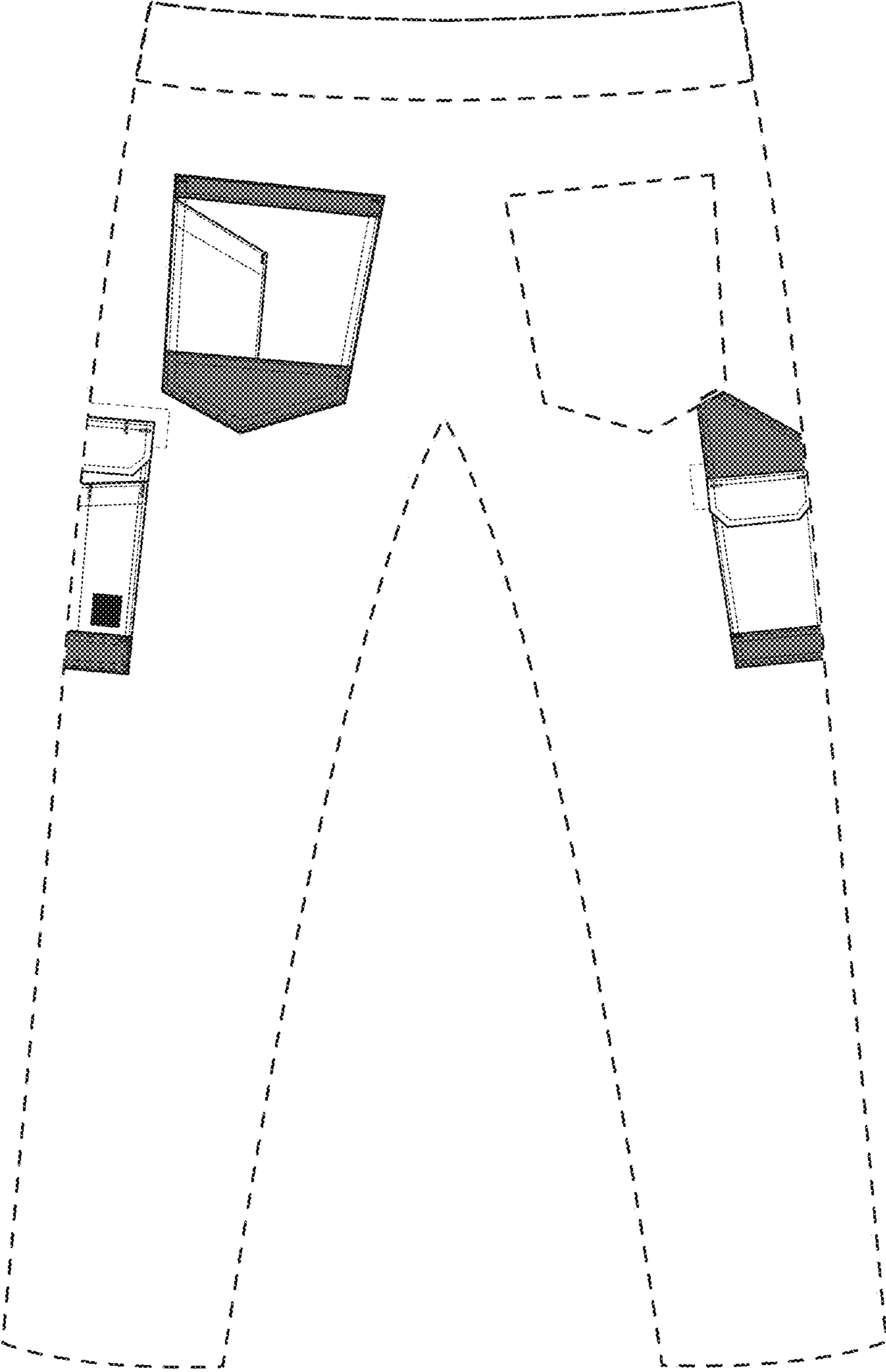


FIG. 2

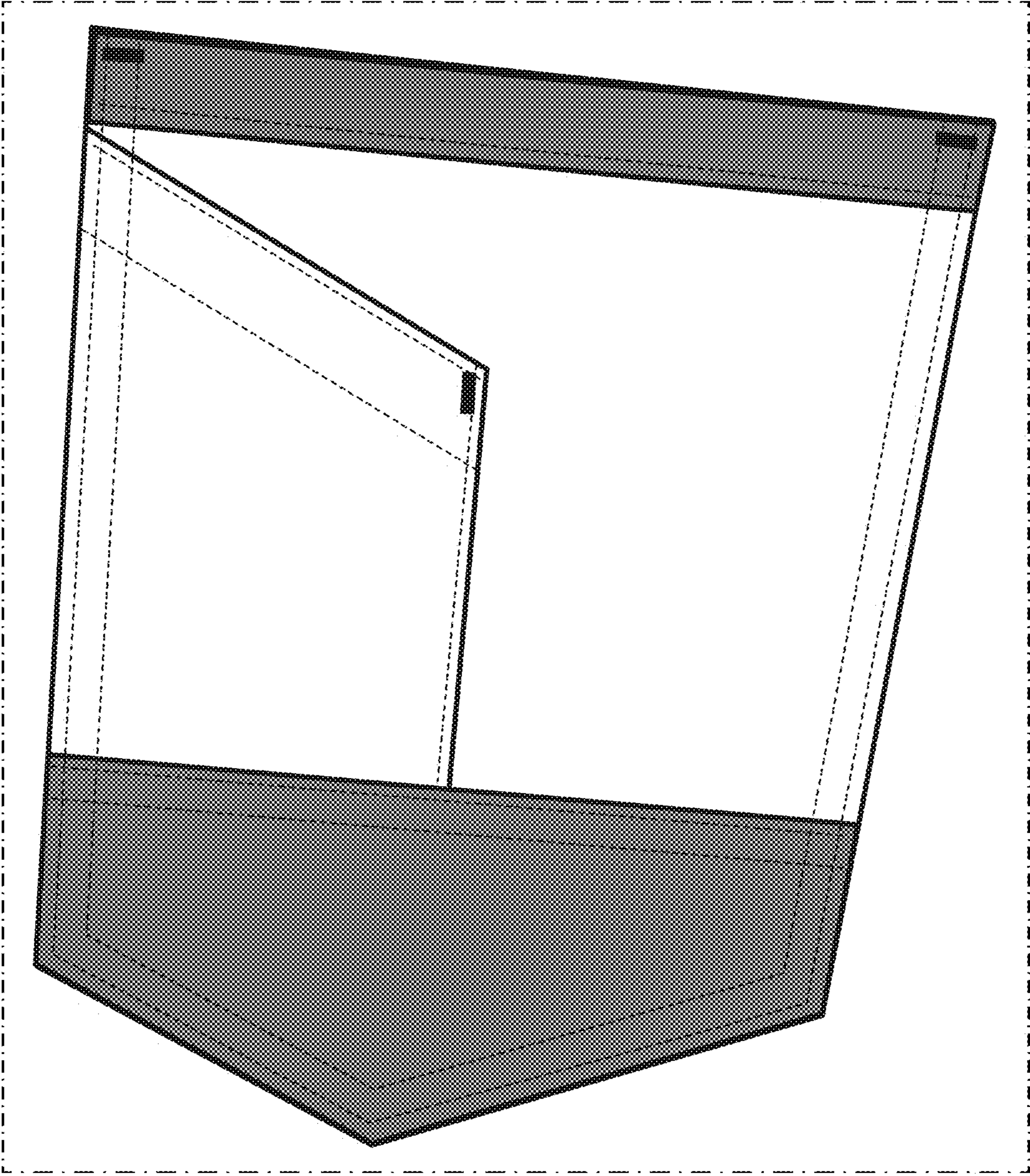


FIG. 3

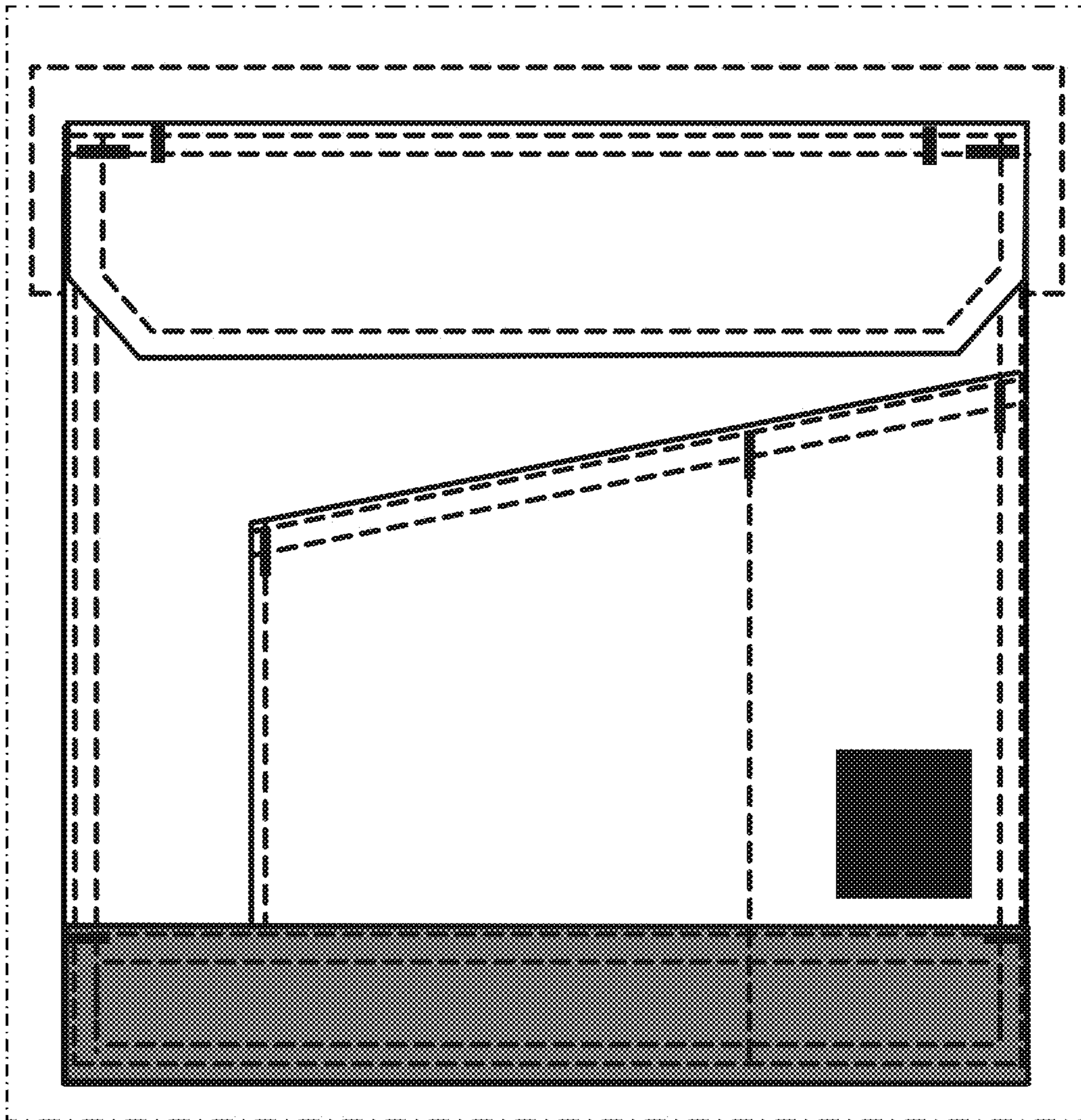


FIG. 4

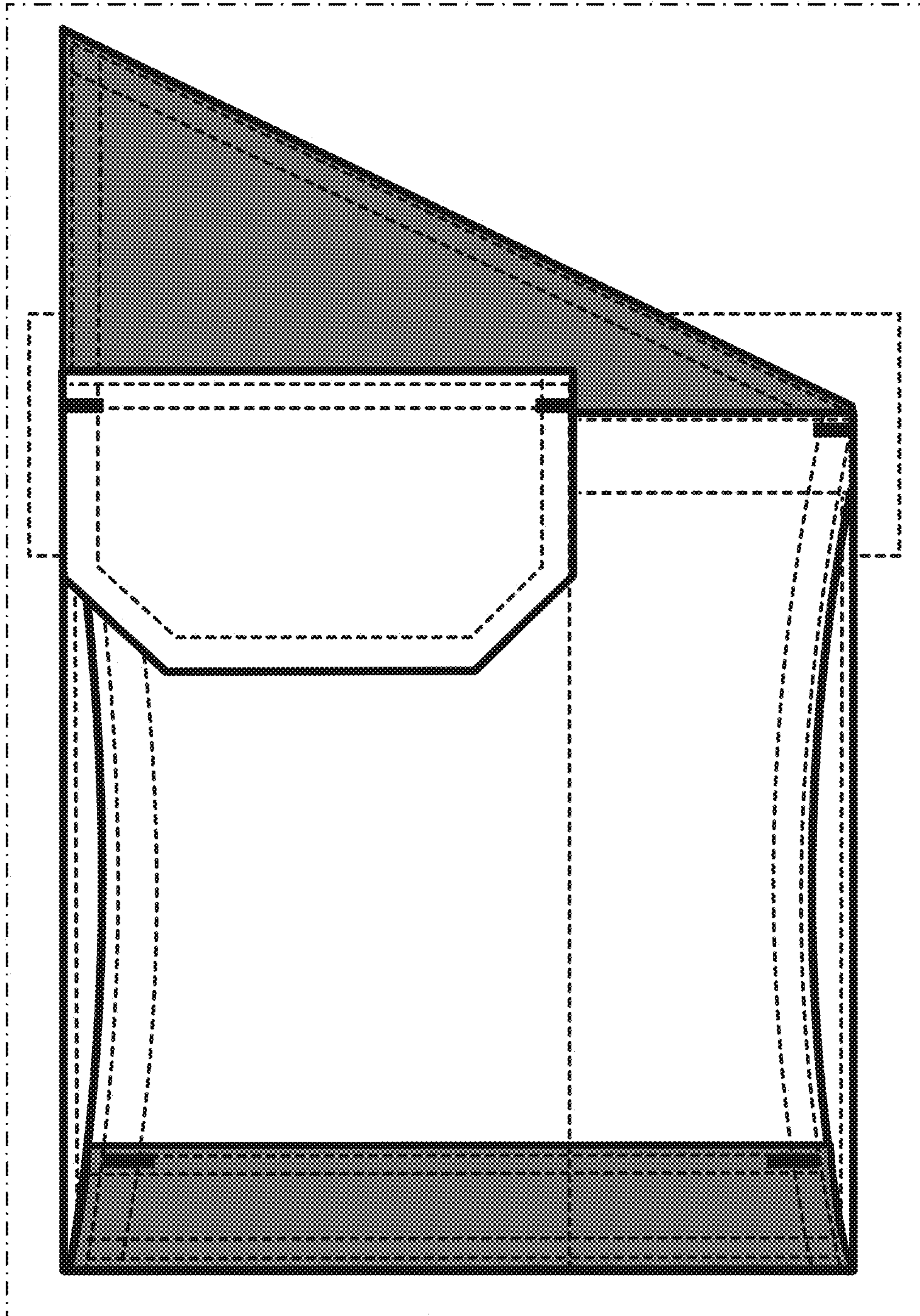


FIG. 5

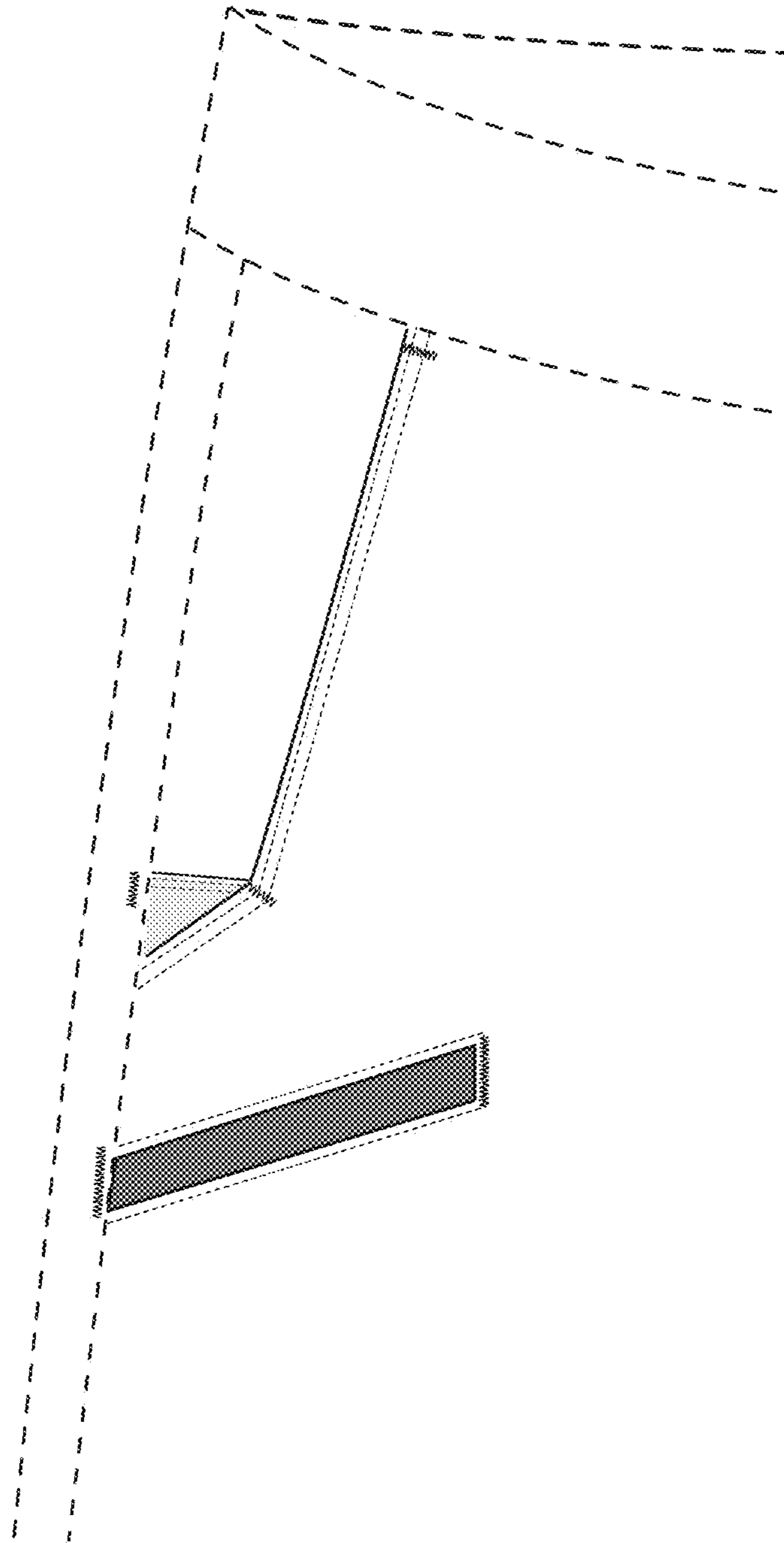


FIG. 6

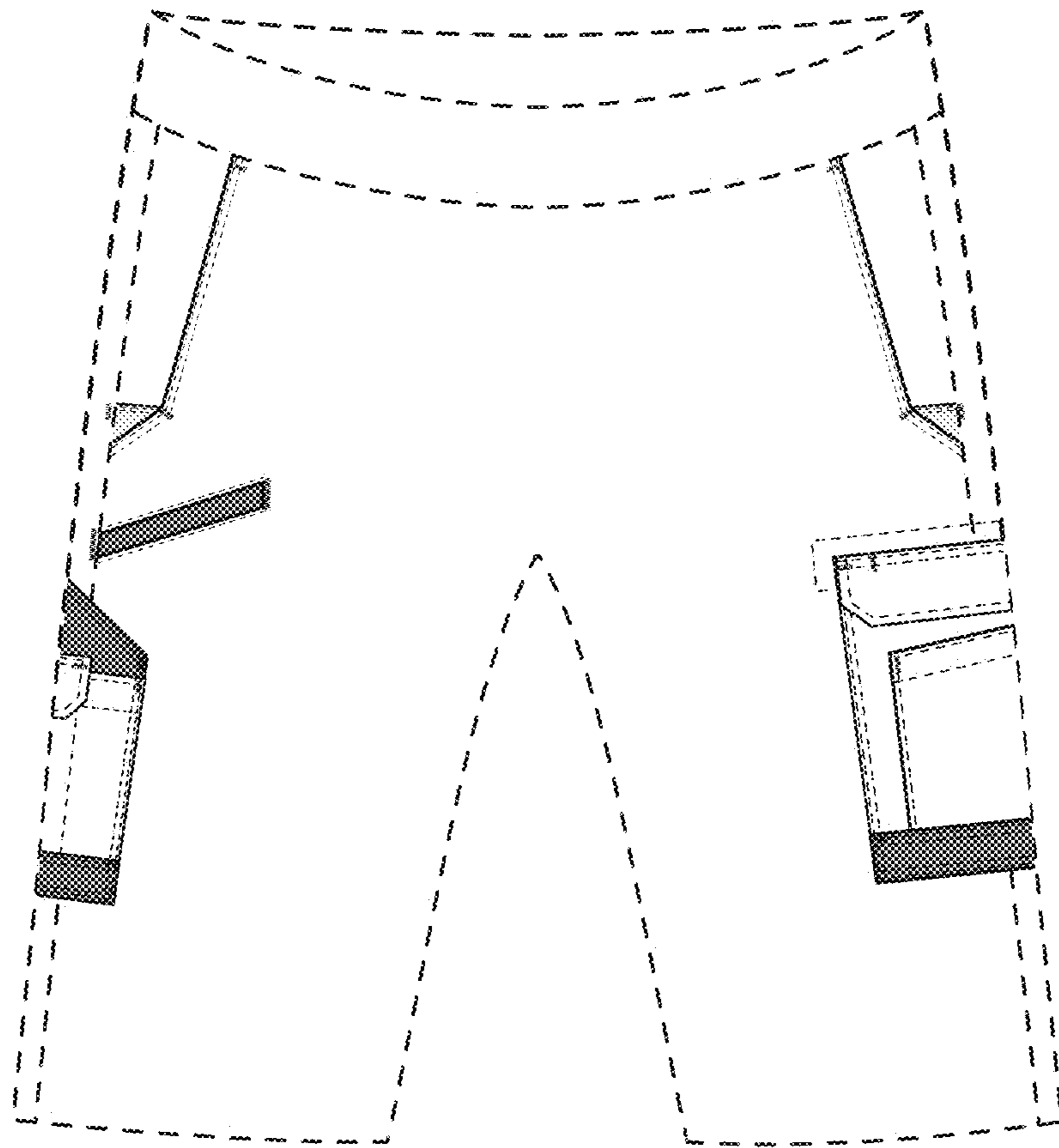


FIG. 7

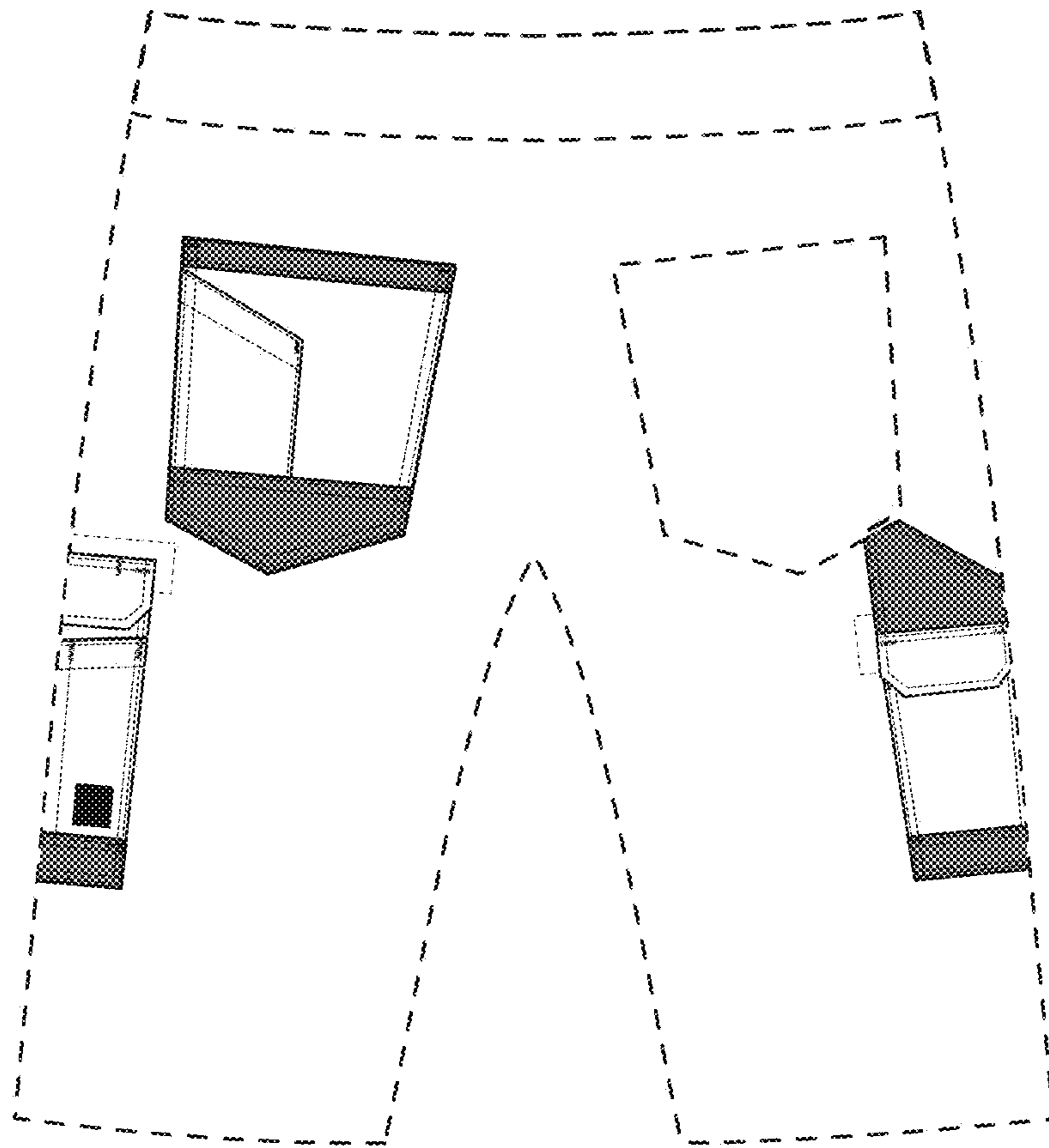


FIG. 8

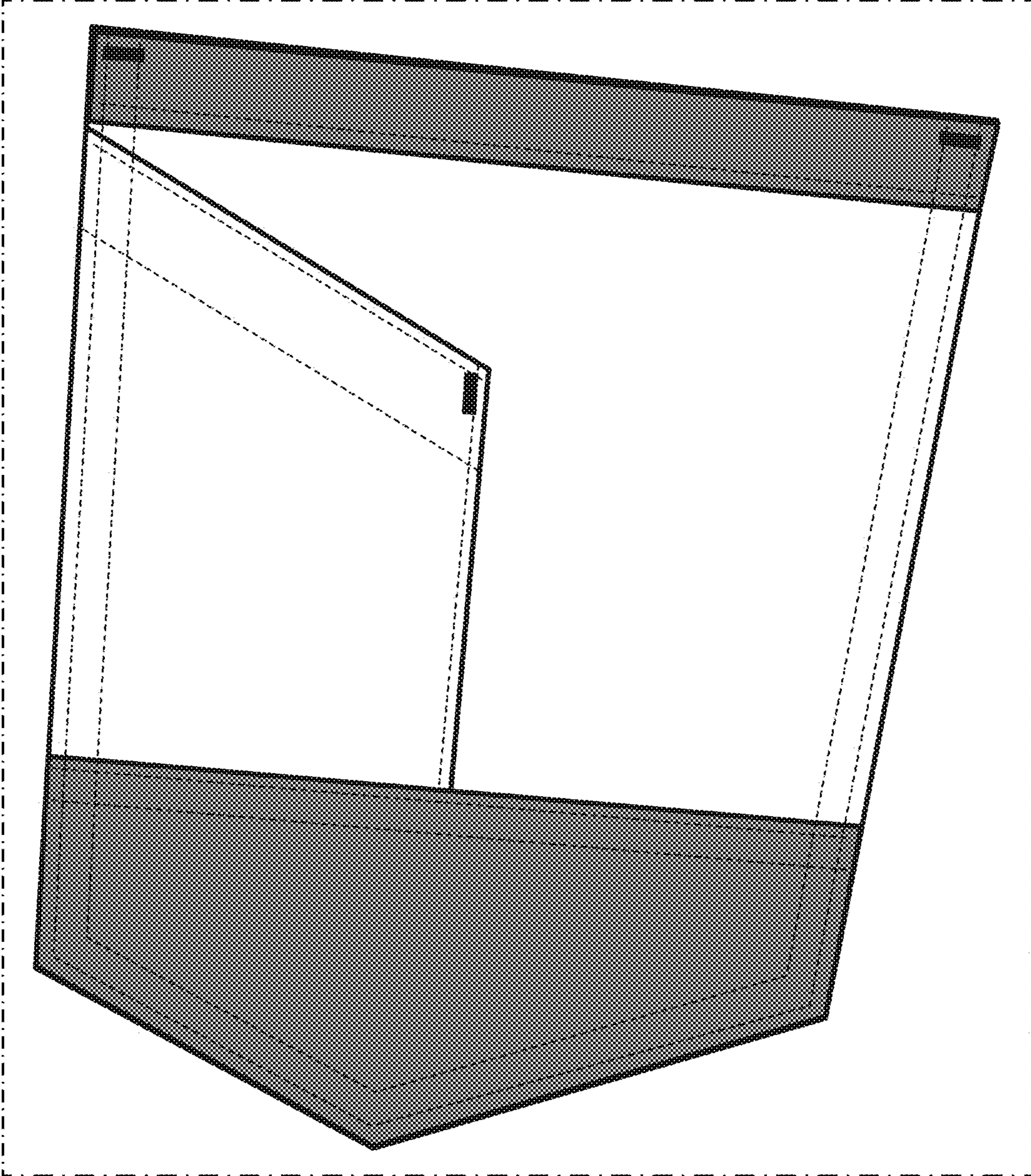


FIG. 9

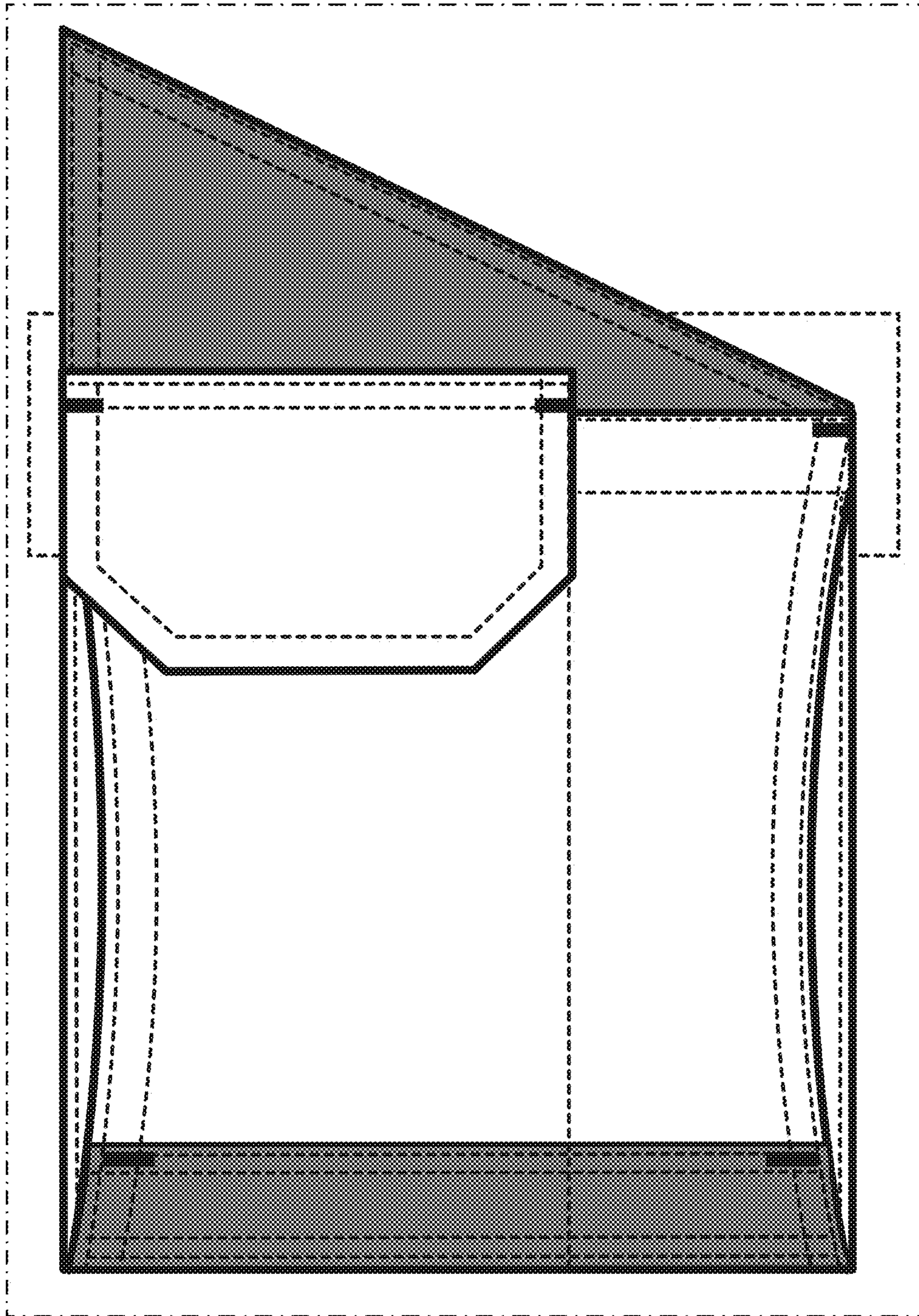


FIG. 11

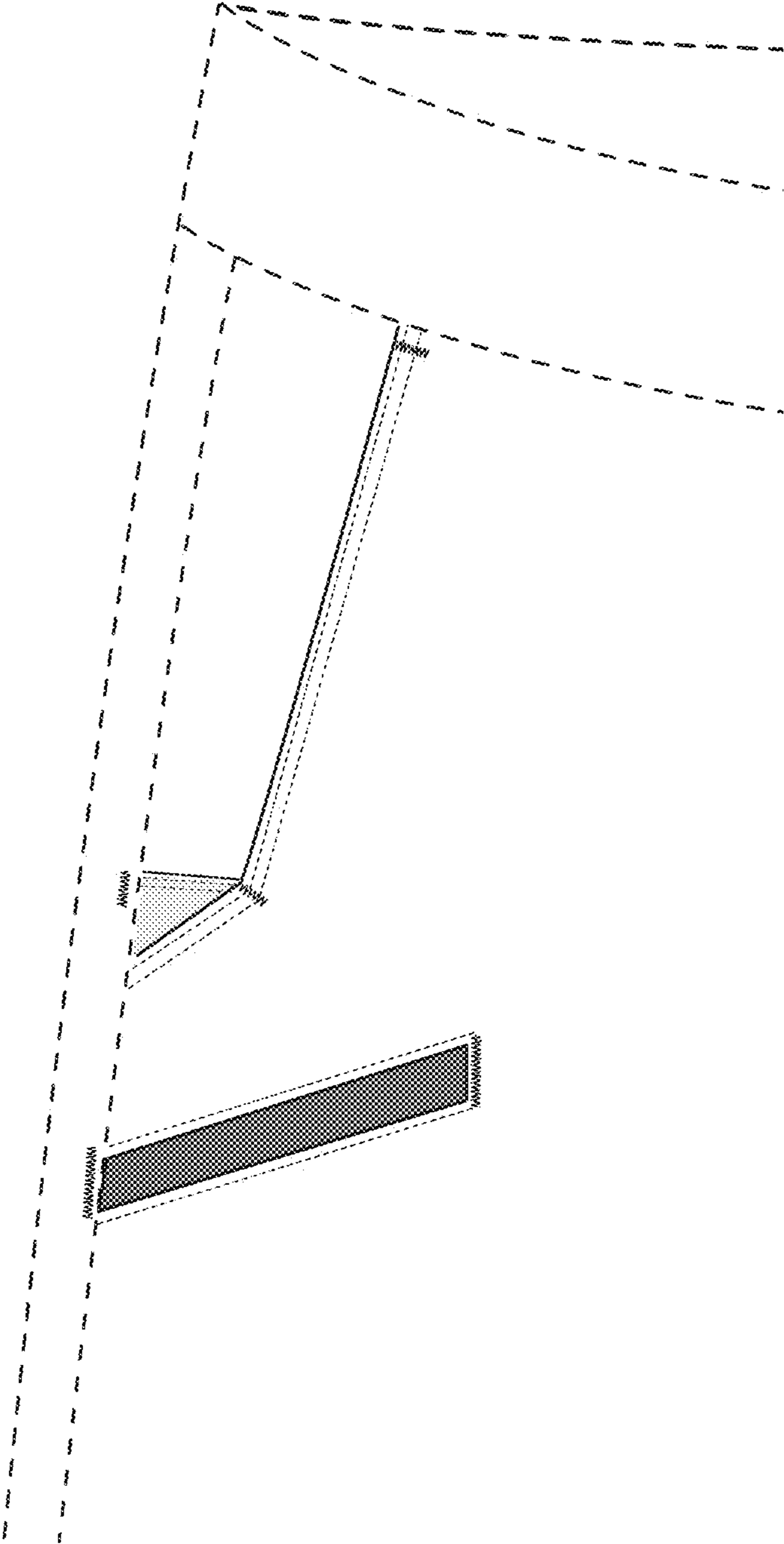


FIG. 12