



US00D955087S

(12) **United States Design Patent**
Hopwood et al.

(10) **Patent No.:** **US D955,087 S**

(45) **Date of Patent:** **** Jun. 21, 2022**

(54) **GARMENT**

(71) Applicant: **Globe International Nominees Pty Limited**, Port Melbourne (AU)

(72) Inventors: **Jade Hopwood**, Port Melbourne (AU);
Yvonne Berger, Southbank (AU)

(73) Assignee: **Globe International Nominees Pty Limited**, Port Melbourne (AU)

(**) Term: **15 Years**

(21) Appl. No.: **29/763,418**

(22) Filed: **Dec. 22, 2020**

(30) **Foreign Application Priority Data**

Jun. 30, 2020 (AU) 202013555

(51) **LOC (13) Cl.** **02-02**

(52) **U.S. Cl.**
USPC **D2/857; D2/742**

(58) **Field of Classification Search**
USPC D2/857, 728, 791, 742
CPC A41D 1/06; A41D 27/20
See application file for complete search history.

(56) **References Cited**

U.S. PATENT DOCUMENTS

D393,141 S *	4/1998	Glycenfer	D2/728
D655,482 S *	3/2012	Morales	D2/857
D690,083 S *	9/2013	Grosbol	D2/742
D838,438 S *	1/2019	Luttrell	D2/742
D852,461 S *	7/2019	Grosbol	D2/742

(Continued)

OTHER PUBLICATIONS

FXD WP*1 Khaki, posted NA [online], (retrieved Oct. 26, 2021). Retrieved from the internet, <https://fxdworkwear.com/collections/workpants/products/wp-1-khaki?variant=37575585267890> (Year: NA).*

(Continued)

Primary Examiner — Kevin K Rudzinski

Assistant Examiner — J. Thorn, Sr.

(74) *Attorney, Agent, or Firm* — Quarles & Brady LLP

(57) **CLAIM**

The ornamental design for a garment, as shown and described.

DESCRIPTION

FIG. 1 is a front view of an ornamental design for a garment; FIG. 2 is a rear view of the garment of FIG. 1; FIG. 3 is an enlarged detail view of a rear left pocket of the garment of FIG. 1;

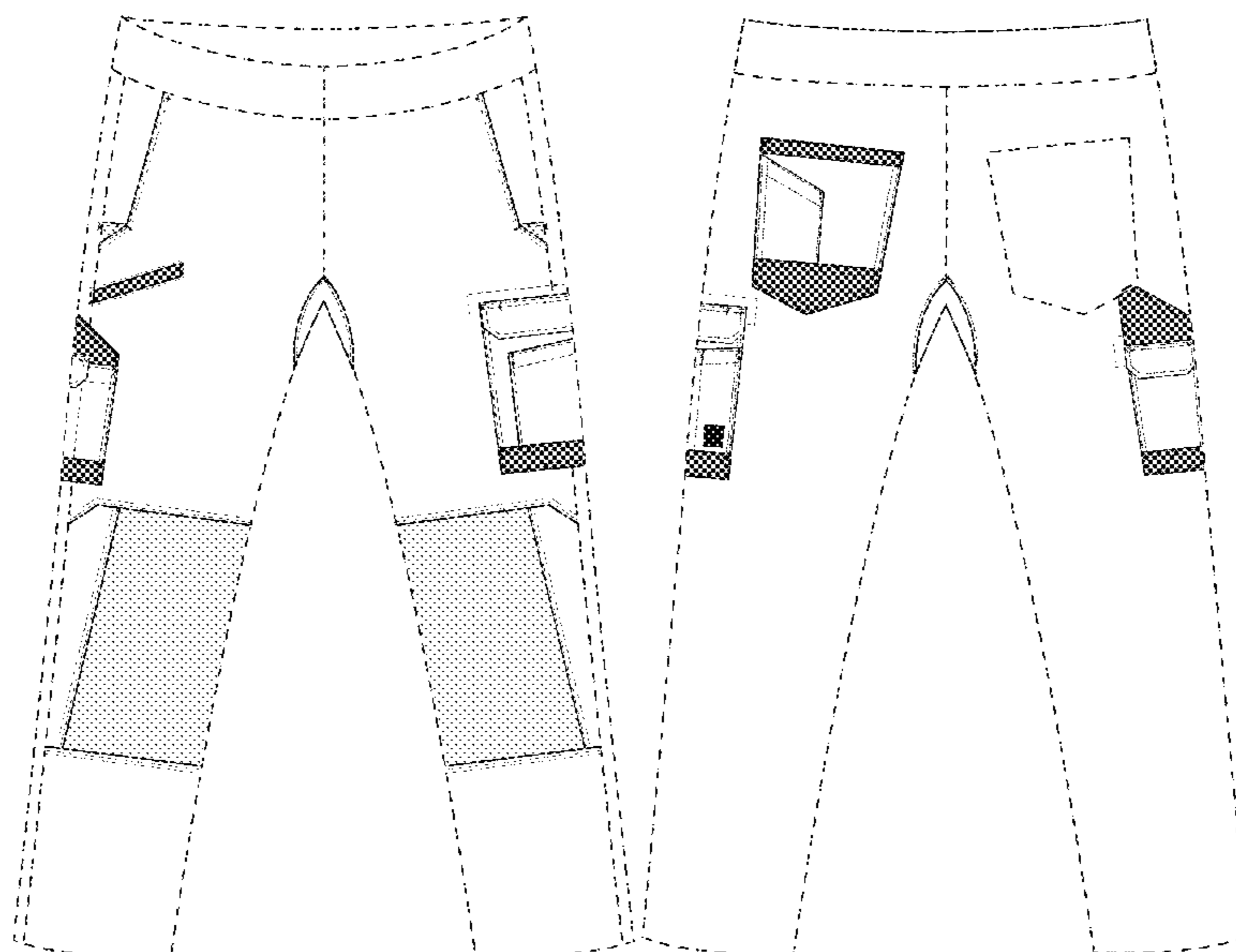
FIG. 4 is an enlarged detail view of a left cargo pocket of the garment of FIG. 1;

FIG. 5 is an enlarged detail view of a right utility pocket of the garment of FIG. 1; and,

FIG. 6 is an enlarged detail view of a front side pocket and a welt pocket of the garment of FIG. 1.

The longer dash-dash-dash broken lines in FIGS. 1, 2, and 6 are included for the purpose of illustrating portions of the garment that form no part of the claimed design. The shorter dash-dash-dash broken lines in FIGS. 1, 2, and 6 represent stitching and form a part of the claimed design. The dash-dash-dash broken lines in FIGS. 3, 4, and 5 represent stitching and form a part of the claimed design. The dash-dot-dash broken lines in FIGS. 3, 4, and 5 depict a boundary line and form no part of the claimed design. The contrast in shading represents a contrast in appearance only and does not represent any particular color, material, texture, or finish. The black squiggle lines and the small black rectangles represent stitching and form a part of the claimed design. The black box in the bottom right hand corner of the left cargo pocket in FIGS. 2 and 4 represents a logo and forms no part of the claimed design.

1 Claim, 6 Drawing Sheets



(56)

References Cited

U.S. PATENT DOCUMENTS

D919,235 S * 5/2021 Li D2/742
2015/0282535 A1 * 10/2015 Rowe A41F 9/02
2/237
2020/0359722 A1 * 11/2020 Cleghorn A41D 27/201

OTHER PUBLICATIONS

FXD Men's WP.4 Stretch Jogger Work Pant, posted May 7, 2020 [online], (retrieved Oct. 26, 2021). Retrieved from the internet, <https://www.amazon.com/FXD-Mens-WP-4-Stretch-Jogger/dp/B0889Y3J7M?th=1> (Year: 2020).*

FXD Men's LS.1 Lightweight Quick Dry Work Short, posted May 20, 2020 [online], (retrieved Oct. 26, 2021). Retrieved from the internet, https://www.amazon.com/FXD-LS-1-Lightweight-Quick-Short/dp/B088Y55ZBD?ref=ast_sto_dp&th=1&psc=1 (Year: 2020).

FXD LS•1 Khaki, posted NA [online], (retrieved Oct. 26, 2021). Retrieved from the internet, https://fxdworkwear.com/products/ls-1-khaki?pr_prod_strat=copurchase&pr_rec_pid=5995030708402&pr_ref_pid=5995030053042&prseq=uniform&variant=37221967954098 (Year: NA).

* cited by examiner

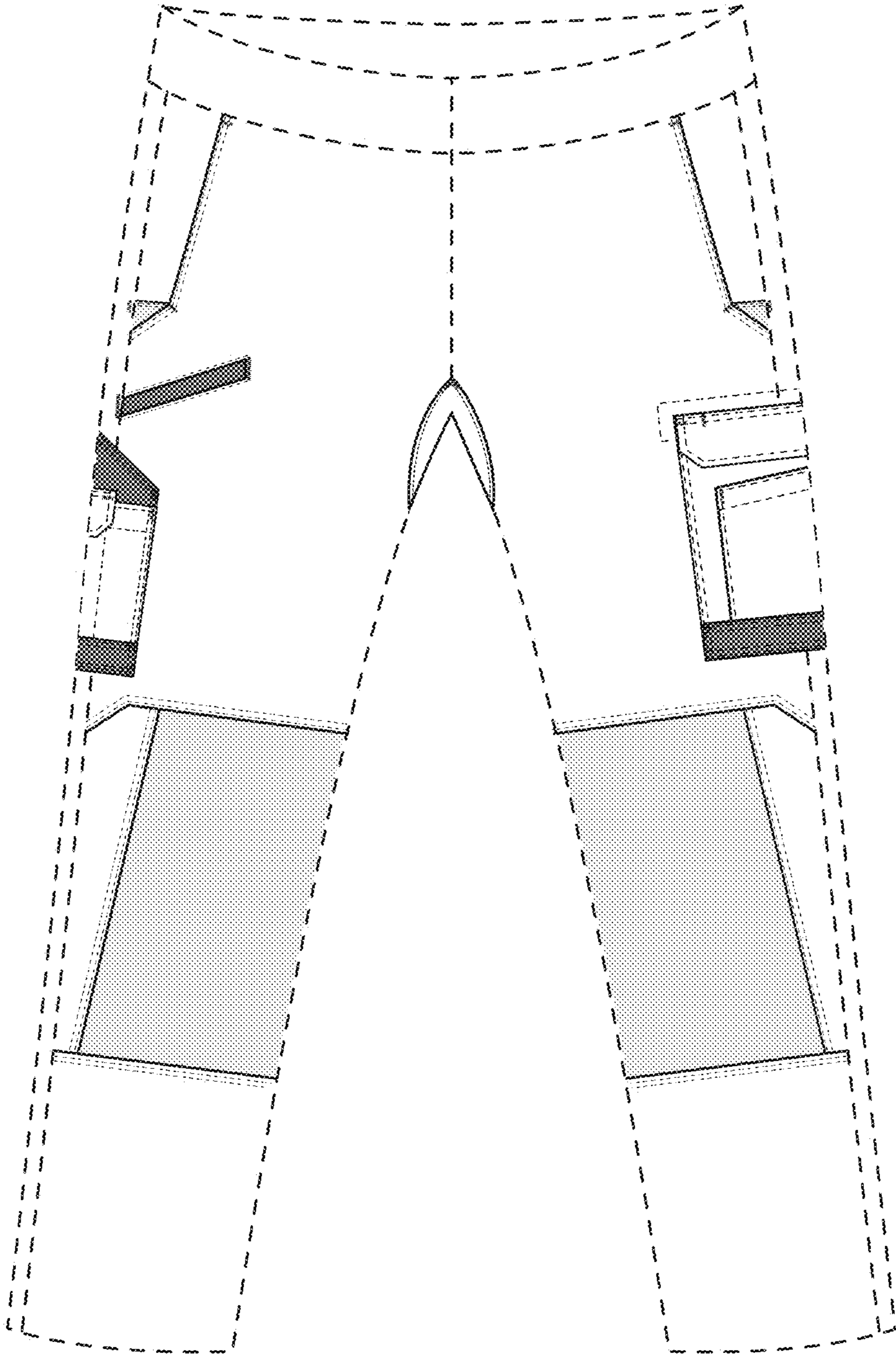


FIG. 1

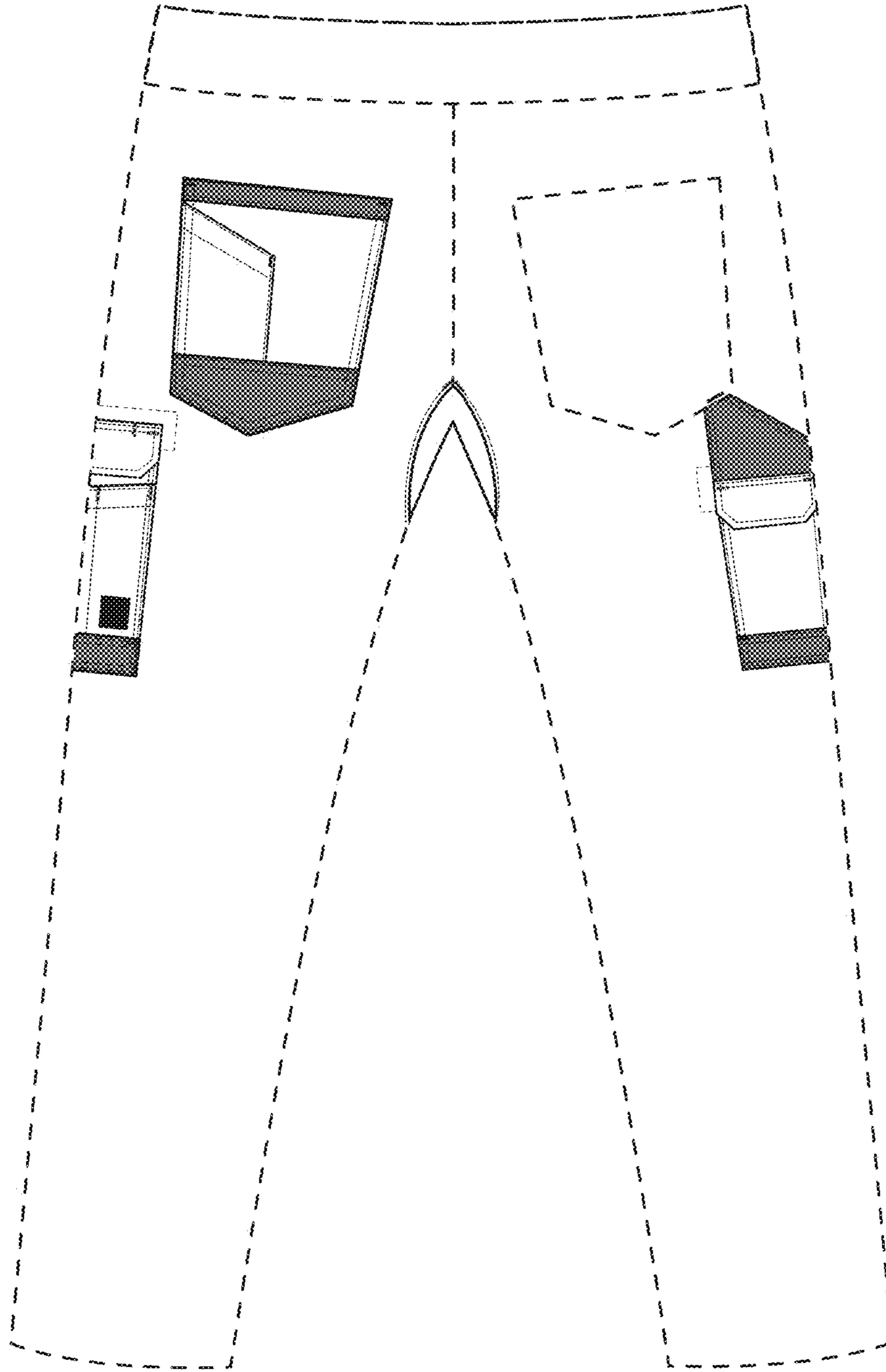


FIG. 2

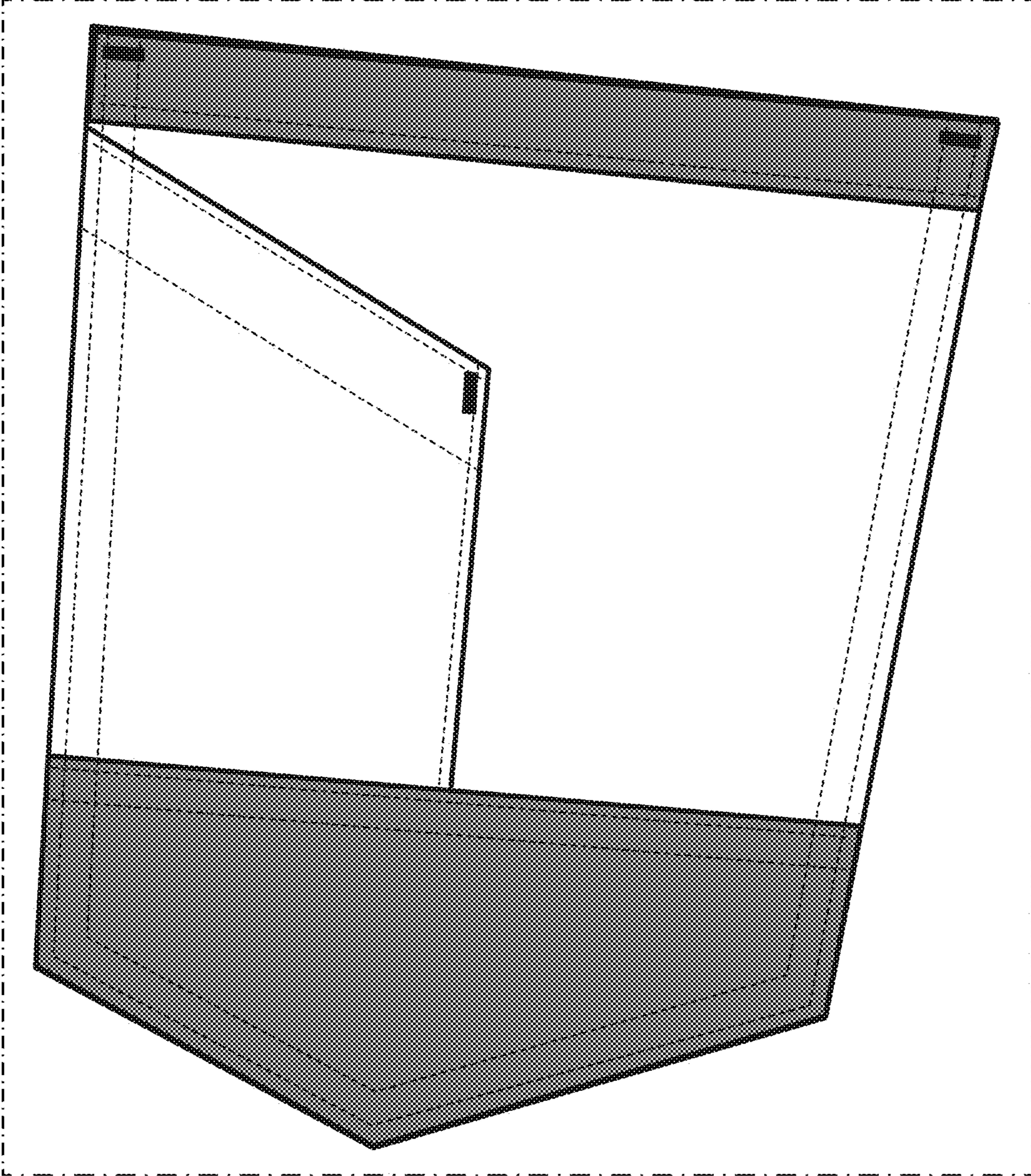


FIG. 3

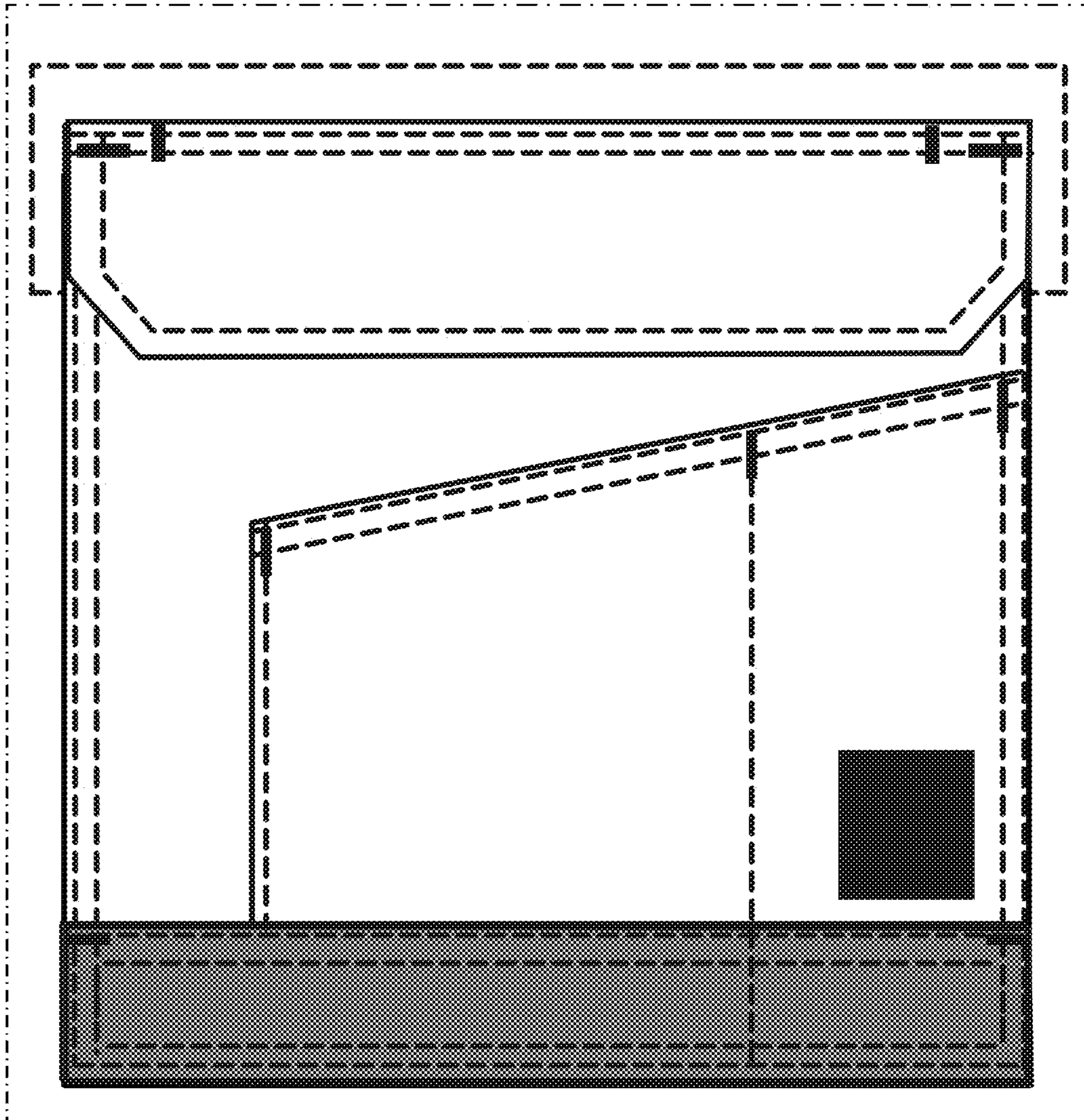


FIG. 4

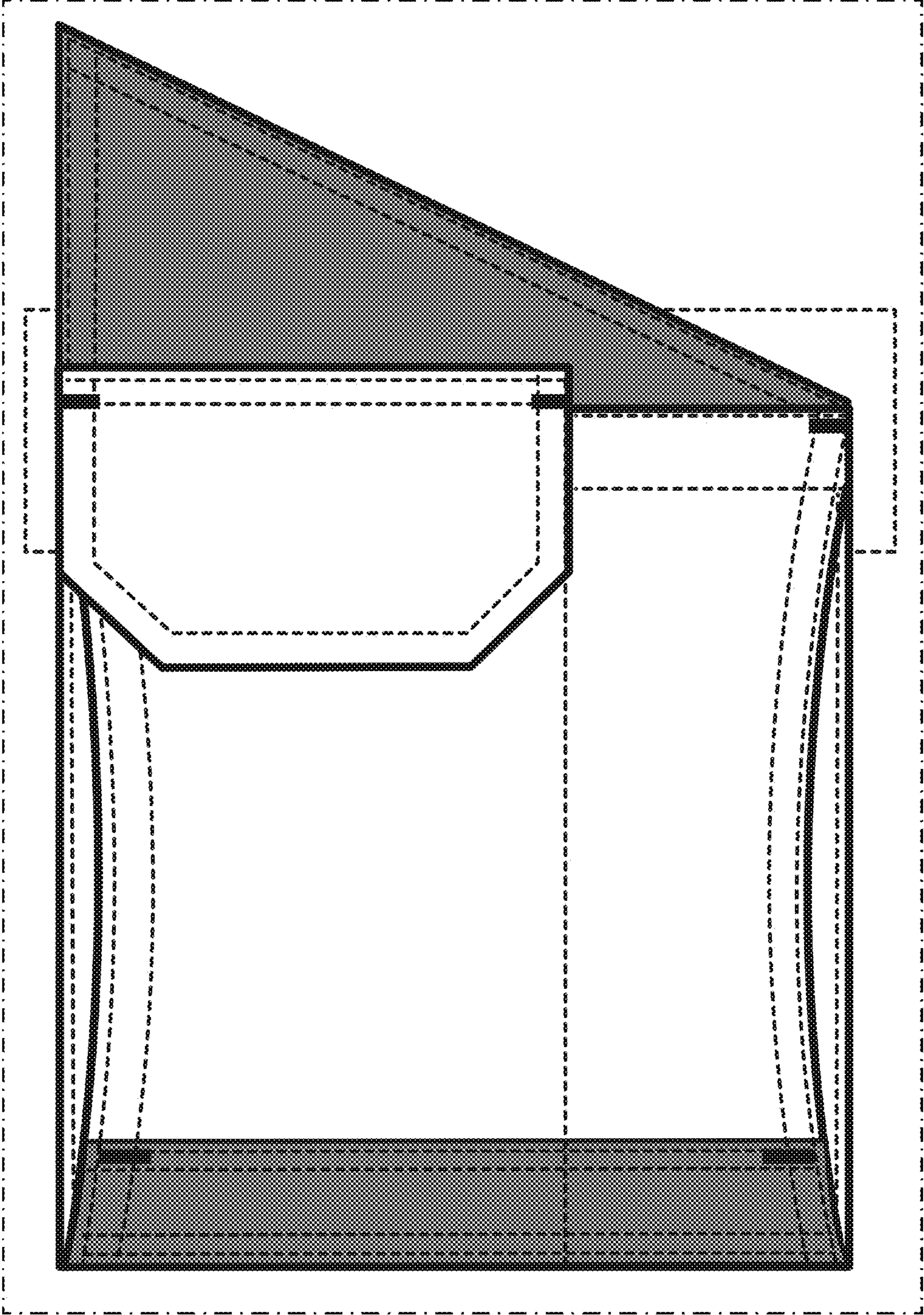


FIG. 5

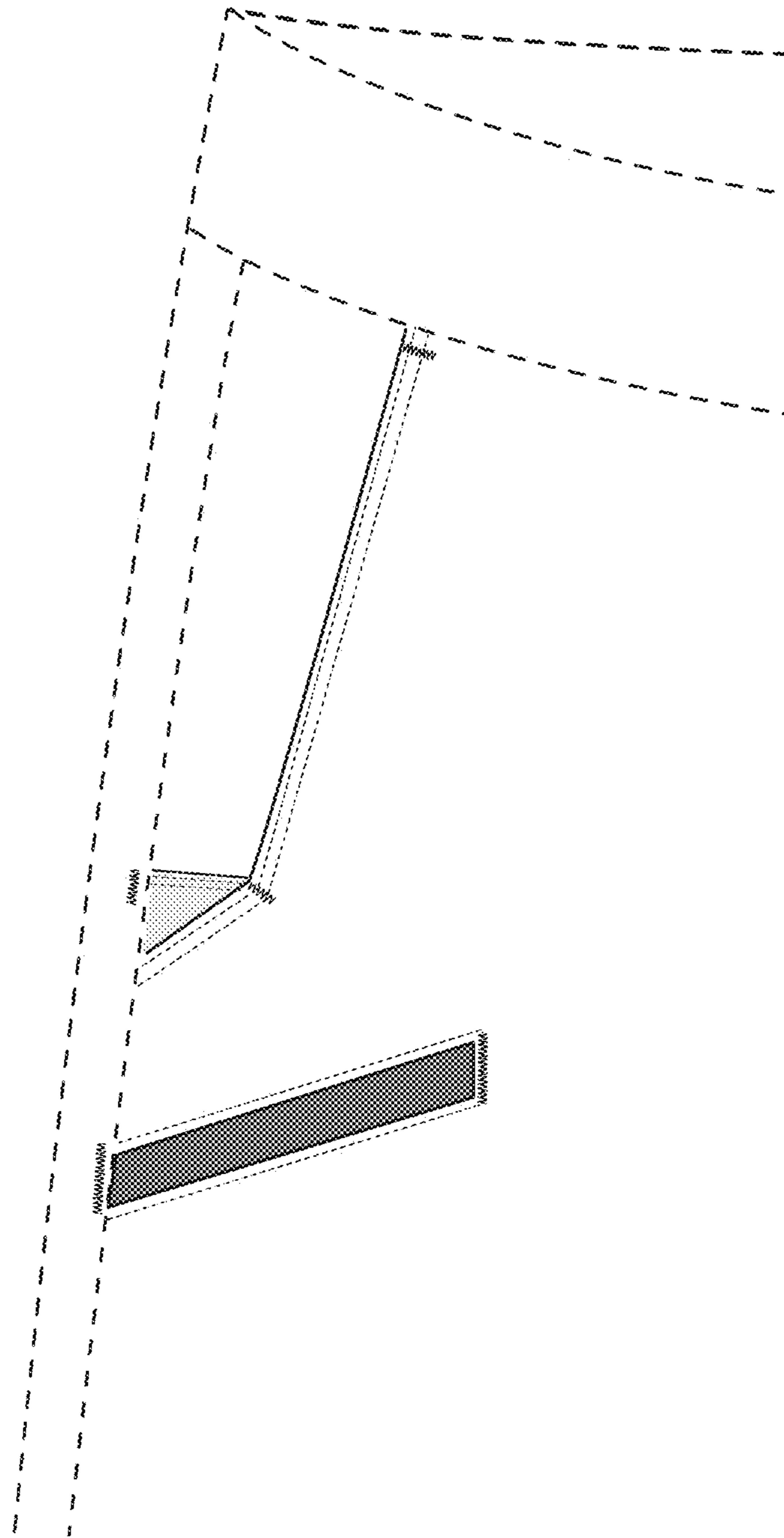


FIG. 6