



US00D955086S

(12) **United States Design Patent** (10) **Patent No.:** **US D955,086 S**  
**Spraw et al.** (45) **Date of Patent:** **\*\* Jun. 21, 2022**

(54) **SANITARY HAND SHIELD**

(71) Applicants: **Sydney E. Spraw**, Toledo, OH (US);  
**Billy Joe Hesser**, Sylvania, OH (US)

(72) Inventors: **Sydney E. Spraw**, Toledo, OH (US);  
**Billy Joe Hesser**, Sylvania, OH (US)

(73) Assignee: **Designetics, Inc.**, Holland, OH (US)

(\*\*) Term: **15 Years**

(21) Appl. No.: **29/735,095**

(22) Filed: **May 18, 2020**

(51) **LOC (13) Cl.** ..... **02-06**

(52) **U.S. Cl.**  
USPC ..... **D2/610**

(58) **Field of Classification Search**  
USPC ..... D2/610, 617, 621, 622; D29/113, 117.1,  
D29/117.2, 119  
CPC ..... A41D 19/01; A41D 19/015  
See application file for complete search history.

(56) **References Cited**

**U.S. PATENT DOCUMENTS**

580,148	A *	4/1897	Staples	.....	D06F 79/00 16/435
2,664,812	A *	1/1954	Molina	.....	A47J 37/1295 D1/122
4,247,567	A *	1/1981	Momiyama	.....	A21D 13/22 426/94
D304,100	S *	10/1989	Brown	.....	D3/226
D389,282	S *	1/1998	Dyke	.....	D29/113
D418,258	S *	12/1999	Moro	.....	D29/113
7,296,300	B2 *	11/2007	Votolato	.....	A41D 13/087 2/21
D657,095	S *	4/2012	Logan	.....	D29/114
2005/0121927	A1 *	6/2005	Gazaui	.....	B65G 7/12 294/25

**OTHER PUBLICATIONS**

Clip Omega, posted at arnoplast.it, posting date not given, [online], [site visited Feb. 3, 2022]. Available from Internet, URL: <https://www.arnoplast.it/en/product/clip-omega> (Year: 2022).\*

Omega Clip, posted at k2-systems.com, posting date not given, [online], [site visited Feb. 3, 2022]. Available from Internet, URL: <https://k2-systems.com/en-US/company/news/product-news/details/omega-clip> (Year: 2022).\*

Omega Clip for Fixing Galvanized Frame Tunnel, posted at m.made-in-china.com, posting date not given, [online], [site visited Feb. 3, 2022]. Available from Internet, URL: <https://m.made-in-china.com/product/Omega-Clip-Used-for-Fixing-Galvanized-Frame-Multi-Span-Tunnel-Melon-Greenhouse-795720362.html> (Year: 2022).\*

Omega Spring Clips, posted at xlssoftfruit.co.uk, posting date not given, [online], [site visited Feb. 3, 2022]. Available from Internet, URL: <https://www.xlssoftfruit.co.uk/clips-brackets.html> (Year: 2022).\*

\* cited by examiner

*Primary Examiner* — George D. Kirschbaum

*Assistant Examiner* — Maria J. Edwards

(74) *Attorney, Agent, or Firm* — Donald K. Wedding

(57) **CLAIM**

The ornamental design for a sanitary hand shield, as shown and described.

**DESCRIPTION**

FIG. 1 is a perspective view of our ornamental design for a sanitary hand shield.

FIG. 2 is another perspective view of our ornamental design for a sanitary hand shield.

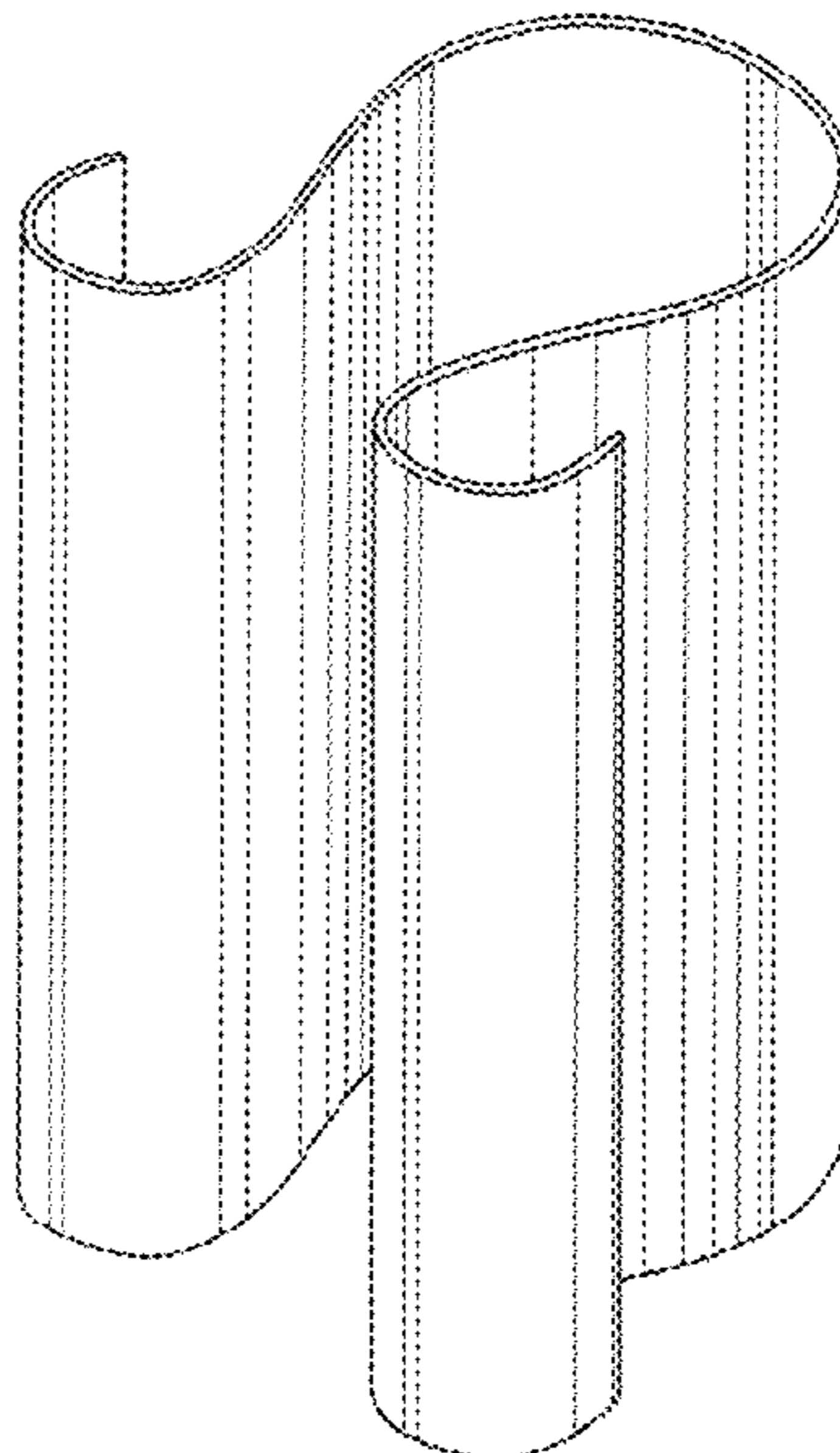
FIG. 3 is an end elevation view of our design.

FIG. 4 is a bottom plan view of our design.

FIG. 5 is a top plan view of our design; and,

FIG. 6 is an end elevation view of our design. The broken lines in the drawing represent environmental structure only and form no part of the claimed design.

**1 Claim, 5 Drawing Sheets**



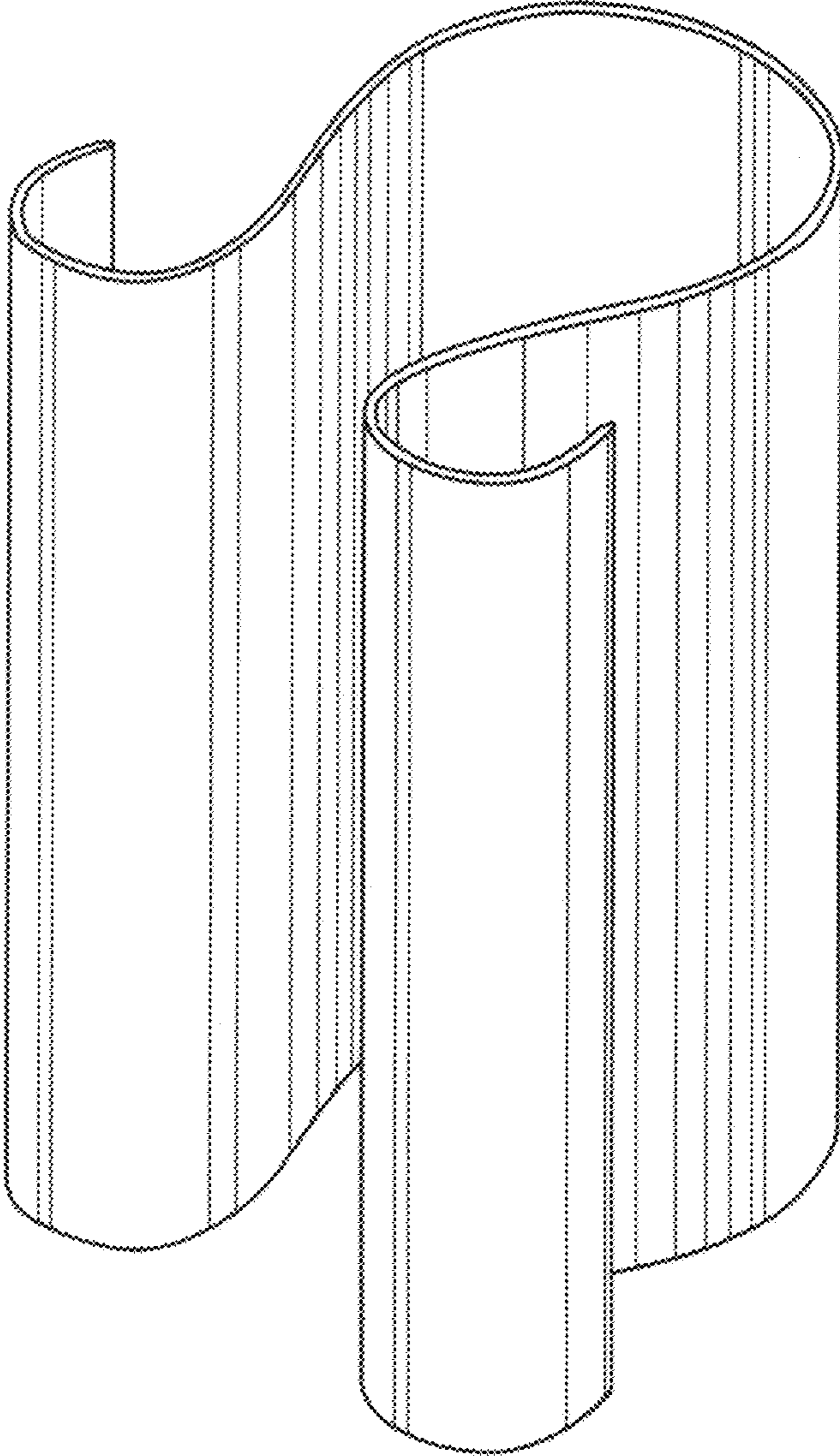


FIG. 1

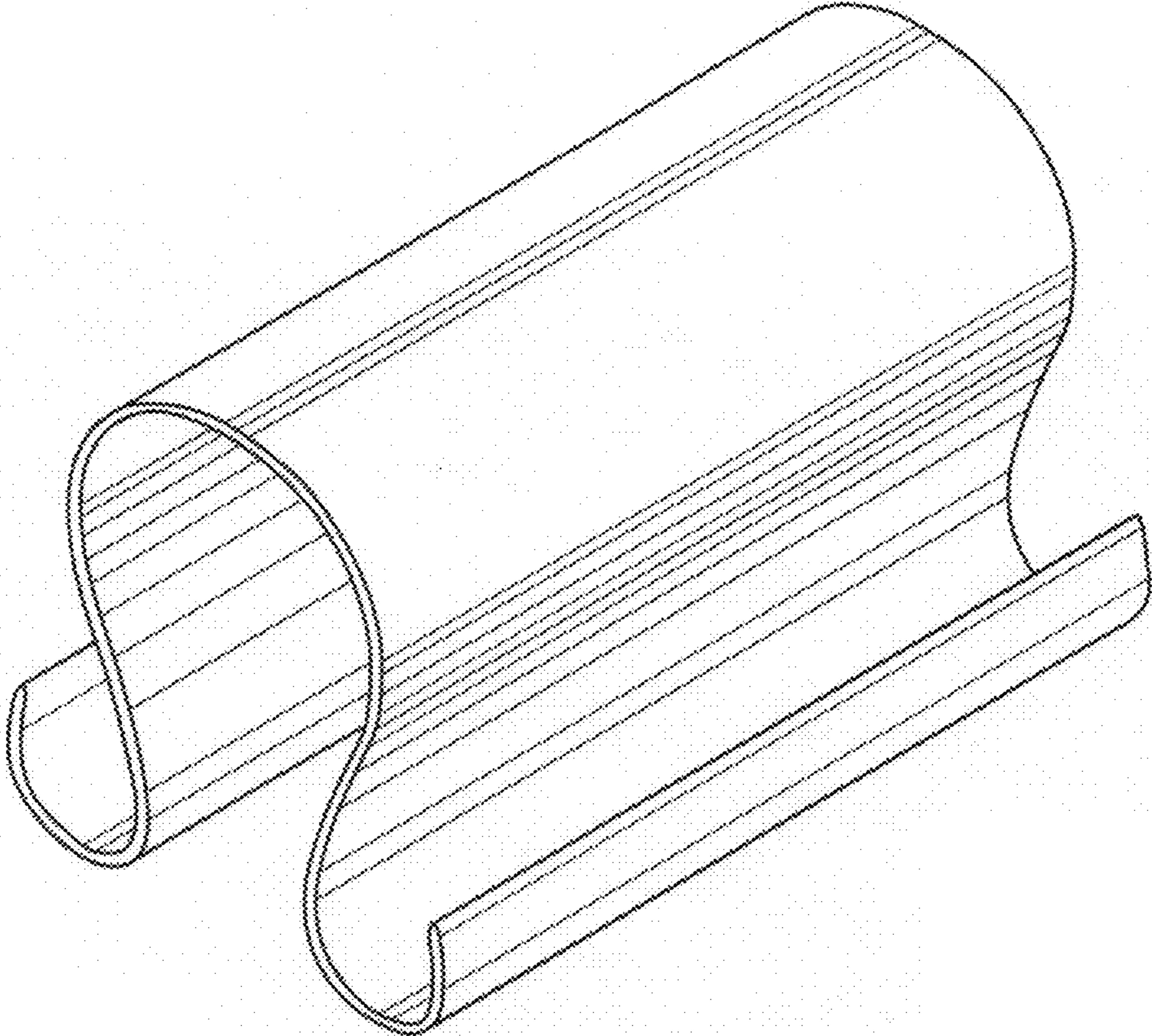


FIG 2

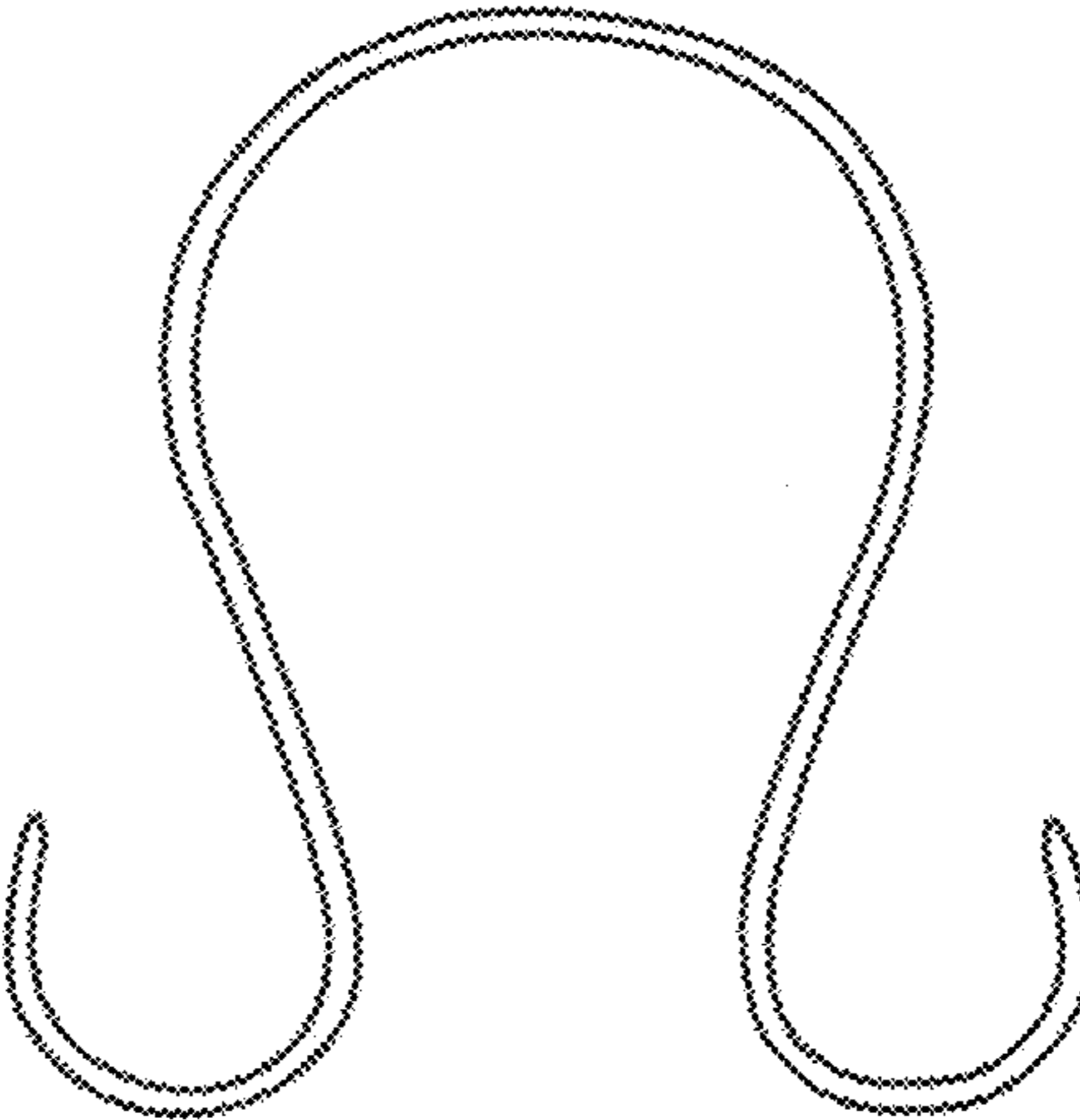


FIG. 3

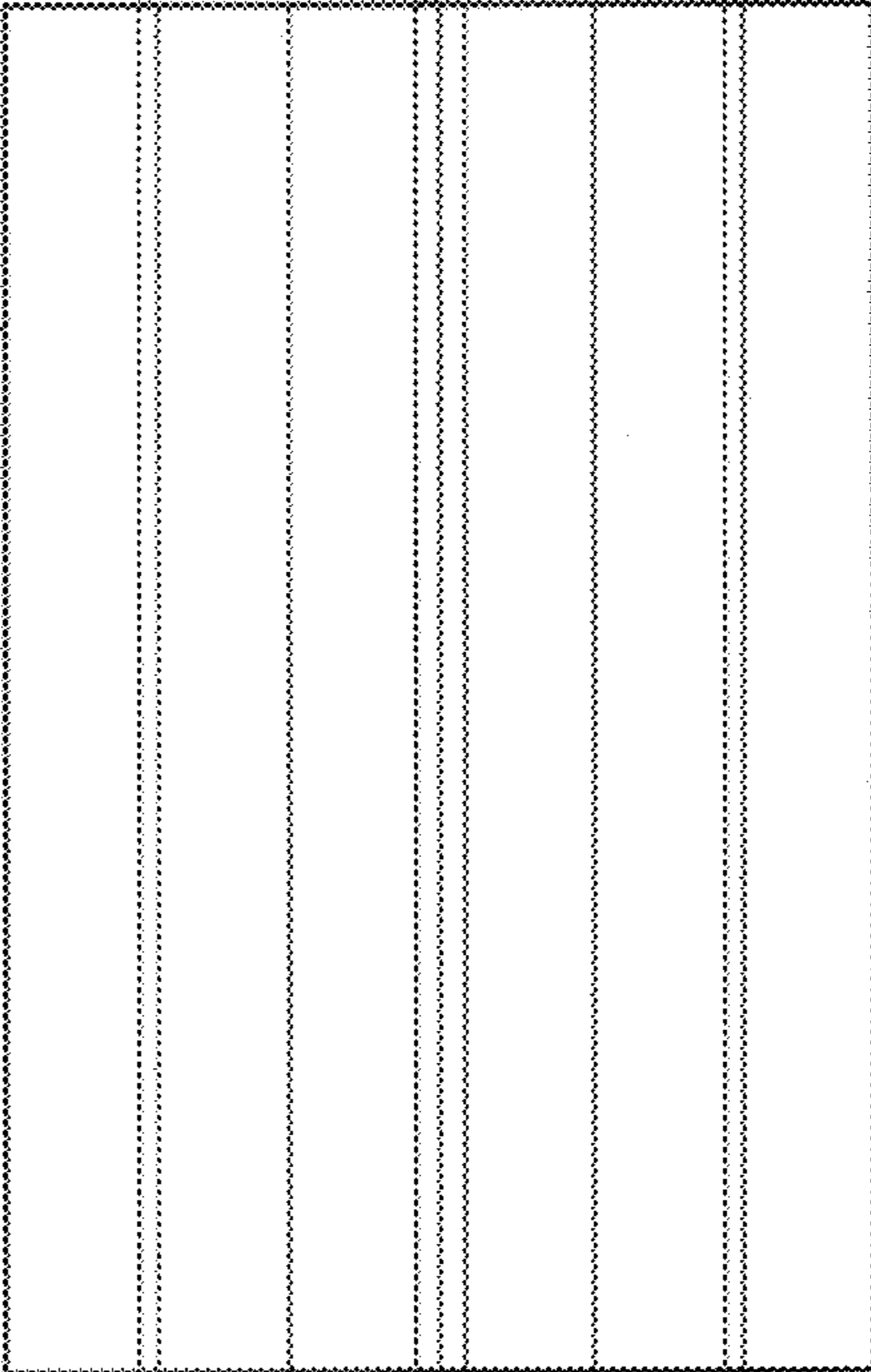


FIG. 4

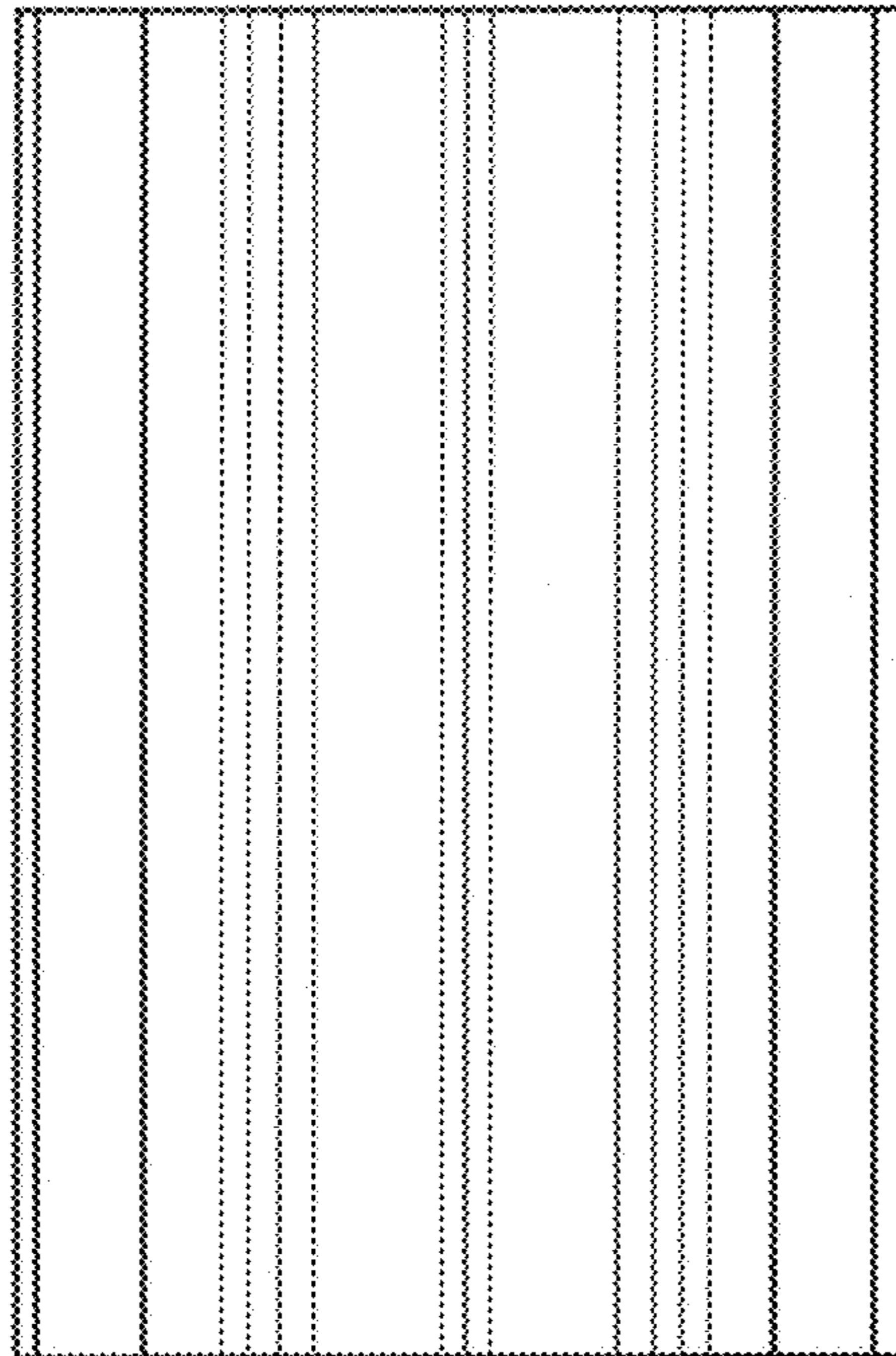


FIG. 5

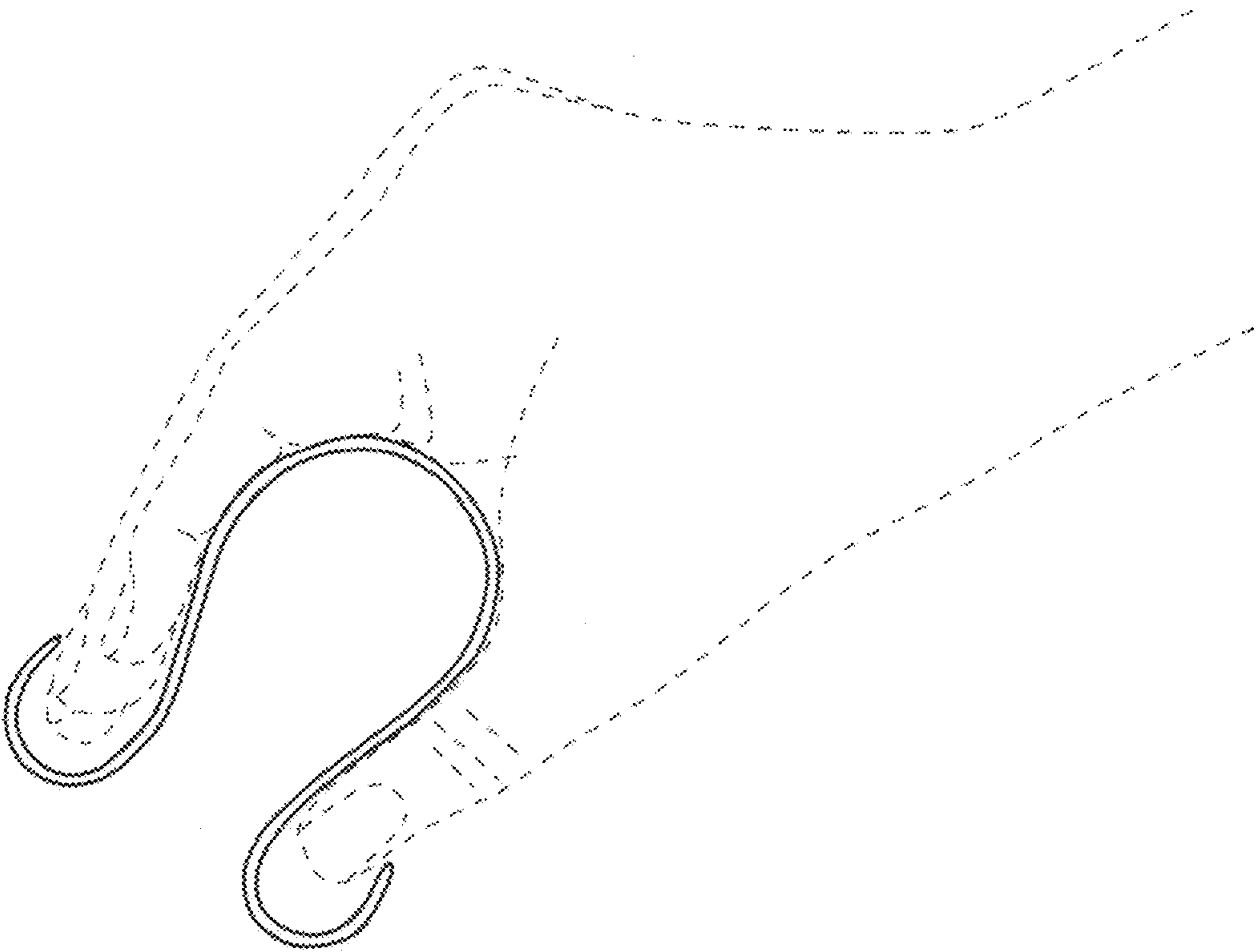


FIG. 6