



US00D955085S

(12) **United States Design Patent** (10) **Patent No.:** **US D955,085 S**  
**Lee et al.** (45) **Date of Patent:** **\*\* Jun. 14, 2022**

(54) **AUTOMATED TELLER MACHINE**

(56) **References Cited**

(71) Applicant: **HYOSUNG TNS INC.**, Seoul (KR)

U.S. PATENT DOCUMENTS

(72) Inventors: **Hee Youn Lee**, Gyeonggi-do (KR); **Jae Min Cha**, Gyeonggi-do (KR); **Jae Min Park**, Gyeonggi-do (KR)

5,229,757 A \* 7/1993 Takamiya ..... F16M 11/10  
235/145 R  
D427,742 S \* 7/2000 McCormack ..... D99/28  
D431,708 S \* 10/2000 McCormack ..... D14/900  
D483,760 S \* 12/2003 Berr ..... D14/383

(73) Assignee: **HYOSUNG TNS INC.**, Seoul (KR)

(Continued)

(\*\*) Term: **15 Years**

OTHER PUBLICATIONS

(21) Appl. No.: **29/737,250**

Keefe Group, Kiosks-Booking, Lobby and Pod, <https://keefegroup.com/products/kiosks-133>, copyright 2013 (Year: 2013).\*

(22) Filed: **Jun. 8, 2020**

(Continued)

(30) **Foreign Application Priority Data**

*Primary Examiner* — Elizabeth J Oswecki

Dec. 27, 2019 (KR) ..... 30-2019-0063256

(74) *Attorney, Agent, or Firm* — Bacon & Thomas, PLLC

(51) **LOC (13) Cl.** ..... **99-00**

(57) **CLAIM**

(52) **U.S. Cl.**  
USPC ..... **D99/28**

The ornamental design for an automated teller machine, as shown and described.

(58) **Field of Classification Search**

**DESCRIPTION**

USPC ..... D99/28, 34, 35, 36, 43, 99;  
D14/300-302, 305, 307, 900-902;  
D18/3.1-3.3, 4.1-4.6, 12.1-12.3;  
D21/324, 325, 329, 369, 370; 101/66;  
109/1 R, 1 V, 2, 23, 24.1, 25, 58, 58.5,  
109/66; 446/8-13; 705/16, 17, 18, 42,  
705/43, 44, 45; 235/51, 379, 380, 381,  
235/382, 382.5, 386; 206/0.8, 0.81,  
206/0.815, 0.82, 0.84  
CPC .. G06Q 20/10; G06Q 20/108; G06Q 20/1085;  
G06Q 20/18; G07D 1/00; G07D 1/02;  
G07D 1/04; G07D 1/06; G07D 11/00;  
G07D 9/002; G07D 9/04; G07F 19/20;  
G07F 19/201; G07F 19/202; G07F  
19/203; G07F 19/204; G07F 19/105;  
G07F 19/21; G07F 19/00; G07F 7/04;  
G07F 5/00; G07F 1/00; E05G 7/001;  
E05G 1/006; A63H 33/00; A63H 33/005

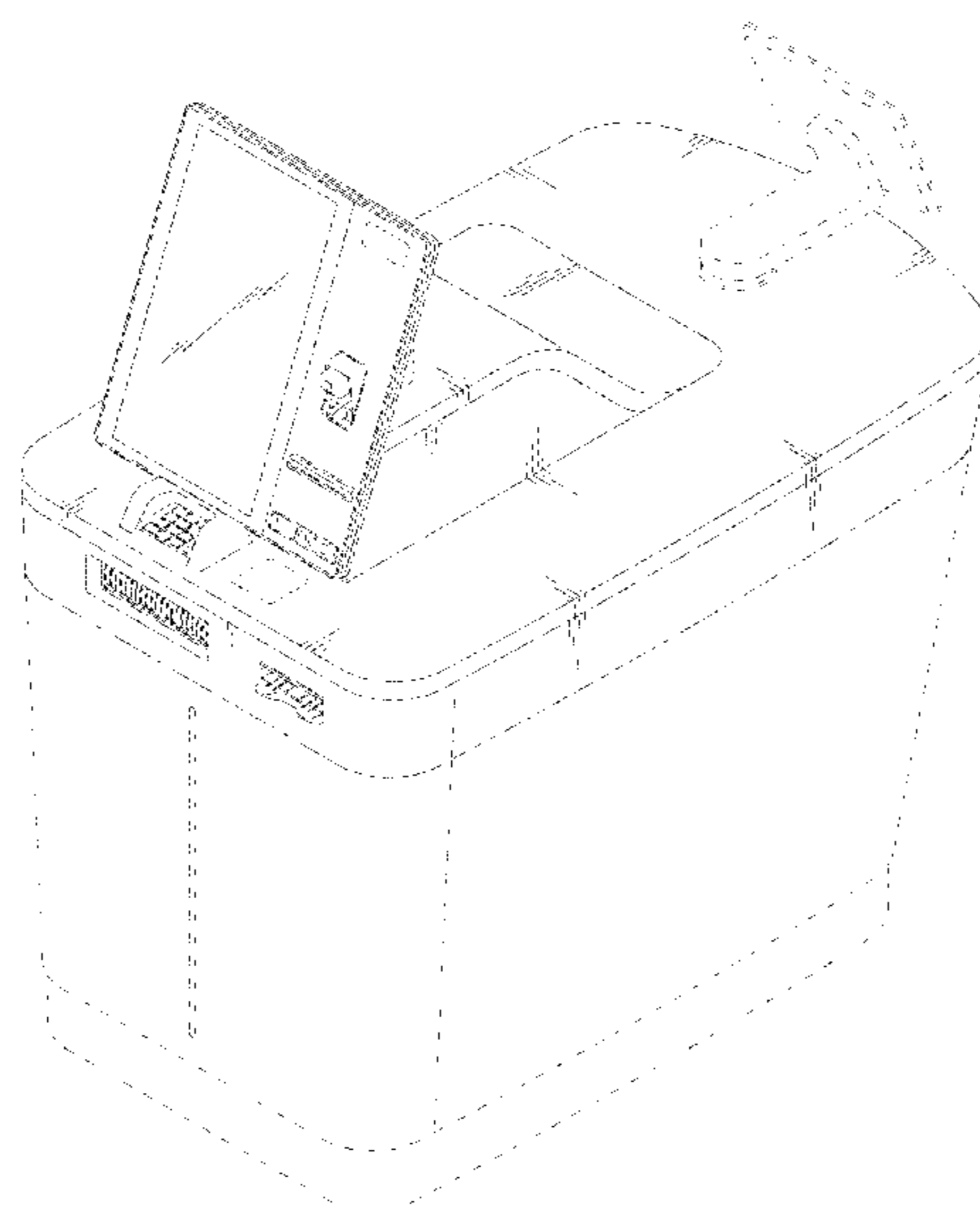
FIG. 1 is a front, top perspective view of an automated teller machine, showing our new design;  
FIG. 2 is a front elevation view thereof;  
FIG. 3 is a rear elevation view thereof;  
FIG. 4 is a left side elevation view thereof;  
FIG. 5 is a right side elevation view thereof;  
FIG. 6 is a top plan view thereof; and,  
FIG. 7 is a bottom plan view thereof.

The inner rectangular panel adjacent to the headphone symbol and circular button panel is shown in broken lines and forms no part of the claimed design.

The dashed-dot lines in FIGS. 1-7 represent a boundary line and form no part of the claimed design. The even dashed lines represent unclaimed subject matter and form no part of the claimed design.

See application file for complete search history.

**1 Claim, 7 Drawing Sheets**



(56)

**References Cited**

U.S. PATENT DOCUMENTS

D483,761 S	*	12/2003	Berr .....	D14/383
D618,875 S	*	6/2010	Tougo .....	D99/28
D626,544 S	*	11/2010	Bieck .....	D14/307
D626,545 S	*	11/2010	Bieck .....	D14/307
D678,652 S	*	3/2013	Budde .....	D99/28
D679,885 S	*	4/2013	Pollmann .....	D99/28
D708,814 S	*	7/2014	Lee .....	D99/28
D732,263 S	*	6/2015	Budde .....	D99/28
D756,064 S	*	5/2016	Budde .....	D99/28
D757,389 S	*	5/2016	Lee .....	D99/28
D769,569 S	*	10/2016	Kennedy .....	D99/28
D779,148 S	*	2/2017	Lee .....	D99/28
D779,770 S	*	2/2017	Park .....	D99/28
D782,147 S	*	3/2017	Lee .....	D99/28
D803,507 S	*	11/2017	Park .....	D99/28
D825,134 S	*	8/2018	Birnie .....	D99/28
D839,529 S	*	1/2019	Nelson .....	D99/28
D880,100 S	*	3/2020	Nelson .....	D99/28
D880,101 S	*	3/2020	Nelson .....	D99/28

OTHER PUBLICATIONS

Patient Self Service Health Care Kiosk,<https://www.indiamart.com/proddetail/patient-self-service-health-care-kiosk-19835184512.html>,2021. (Year: 2021).\*

\* cited by examiner

Fig 1

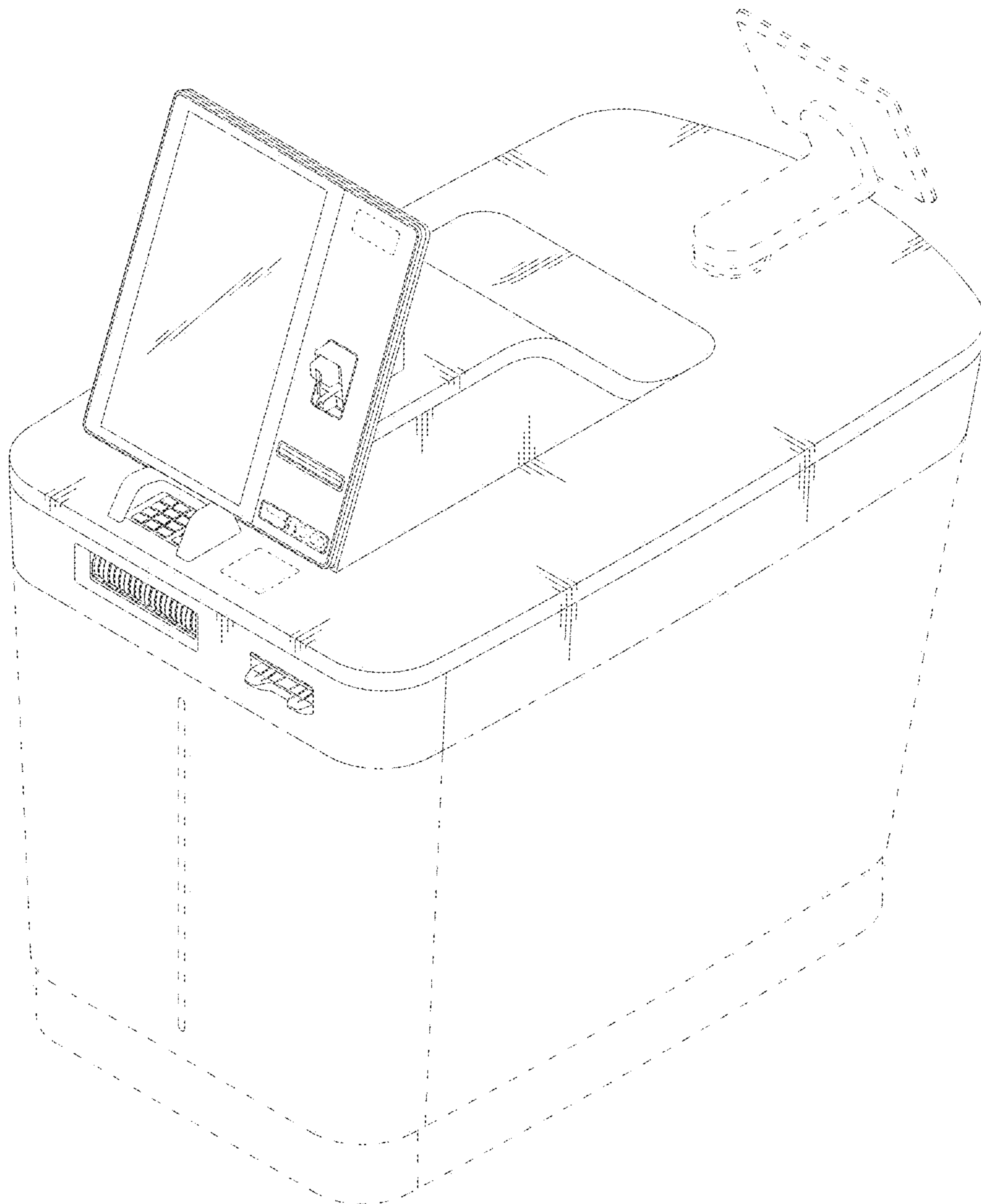


Fig 2

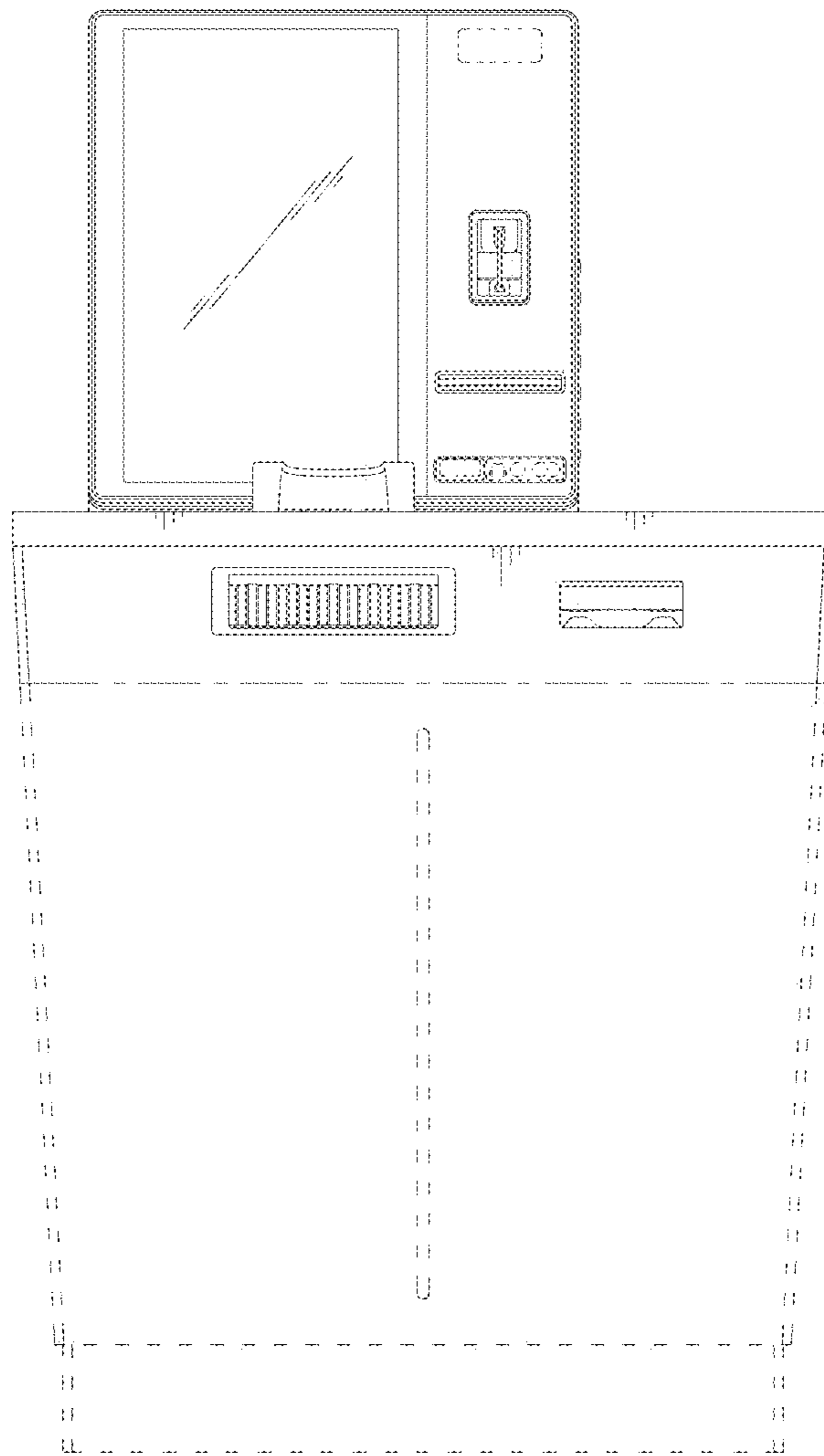


Fig 3

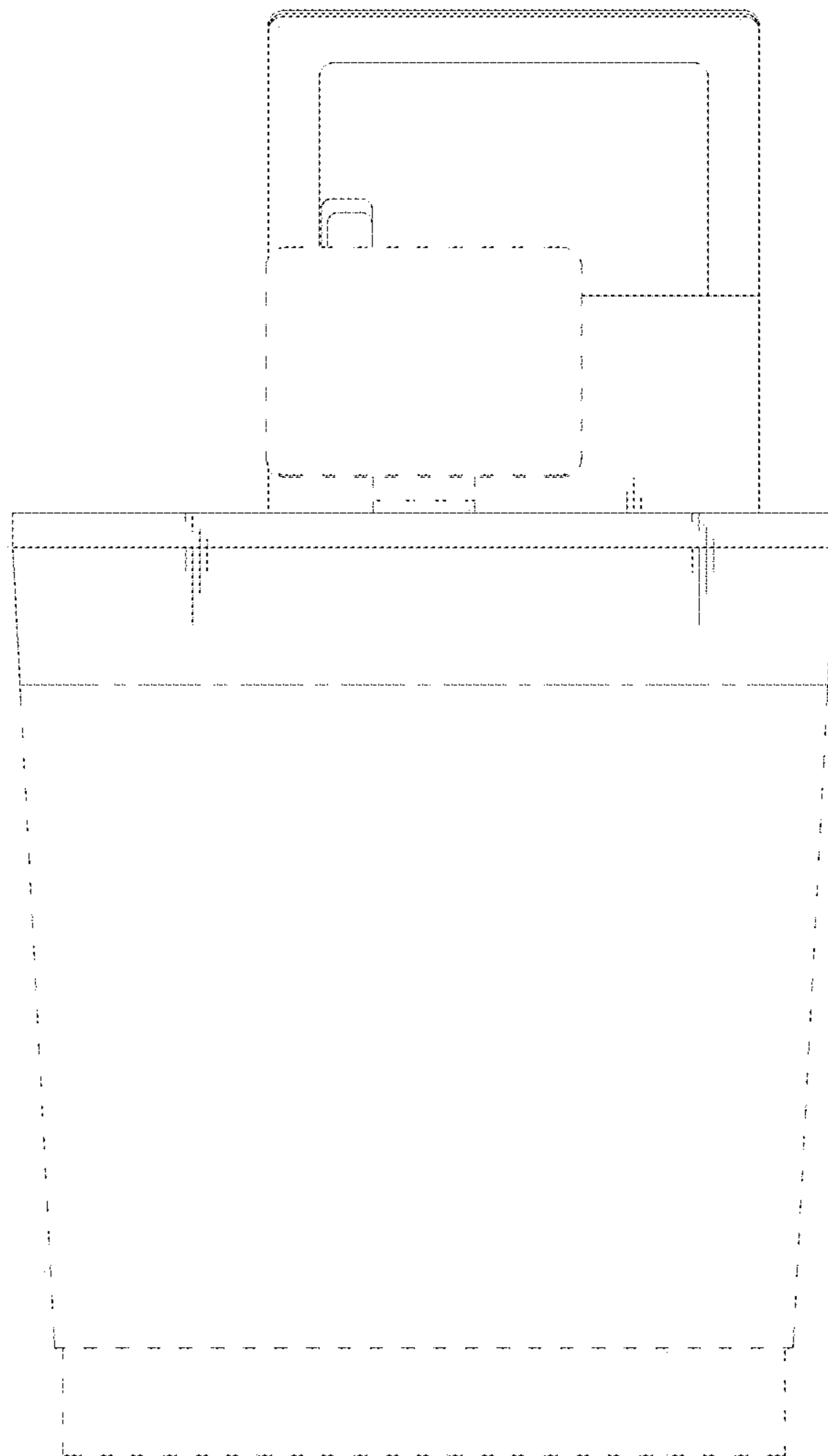


Fig 4

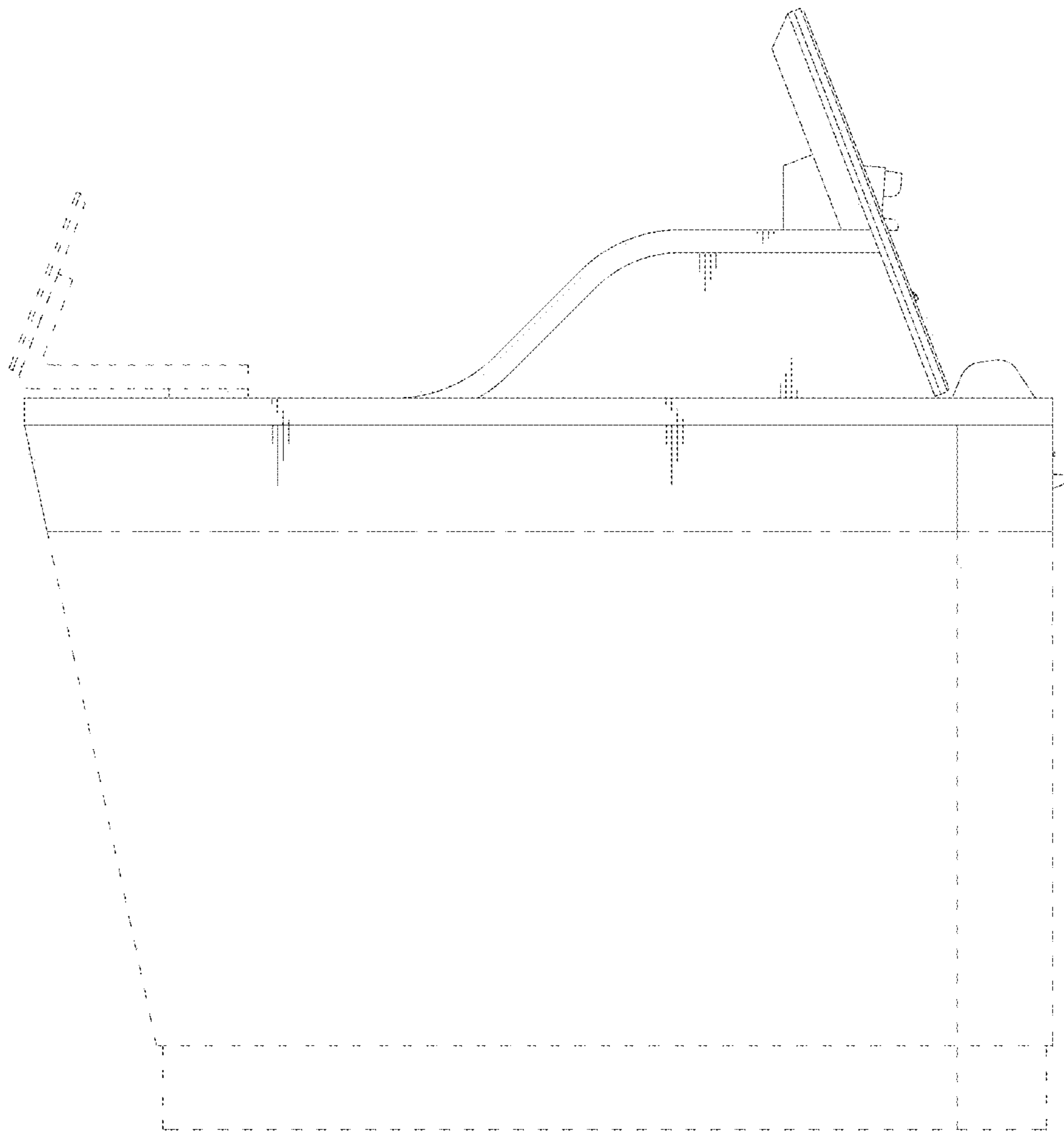


Fig 5

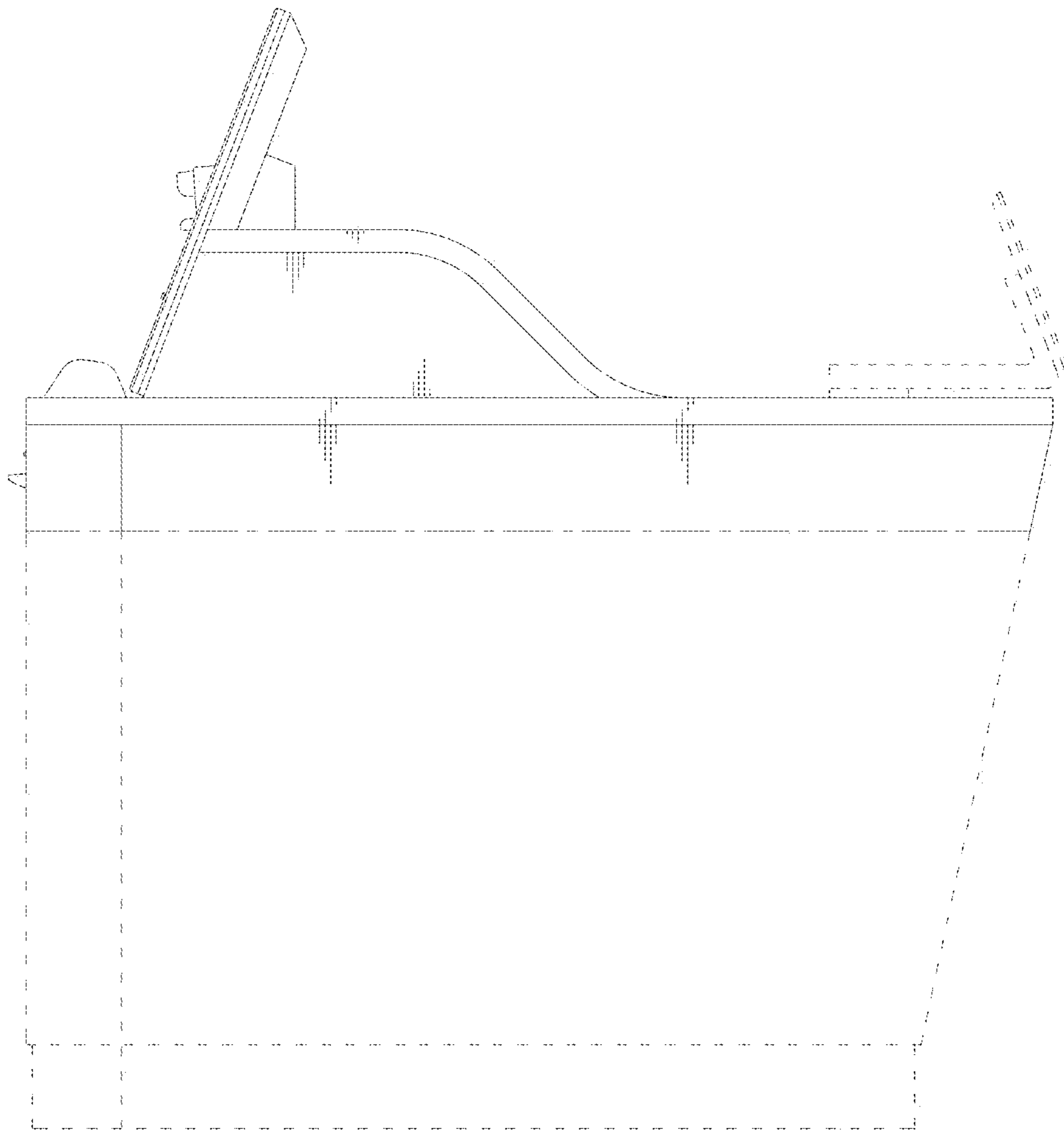




Fig 6

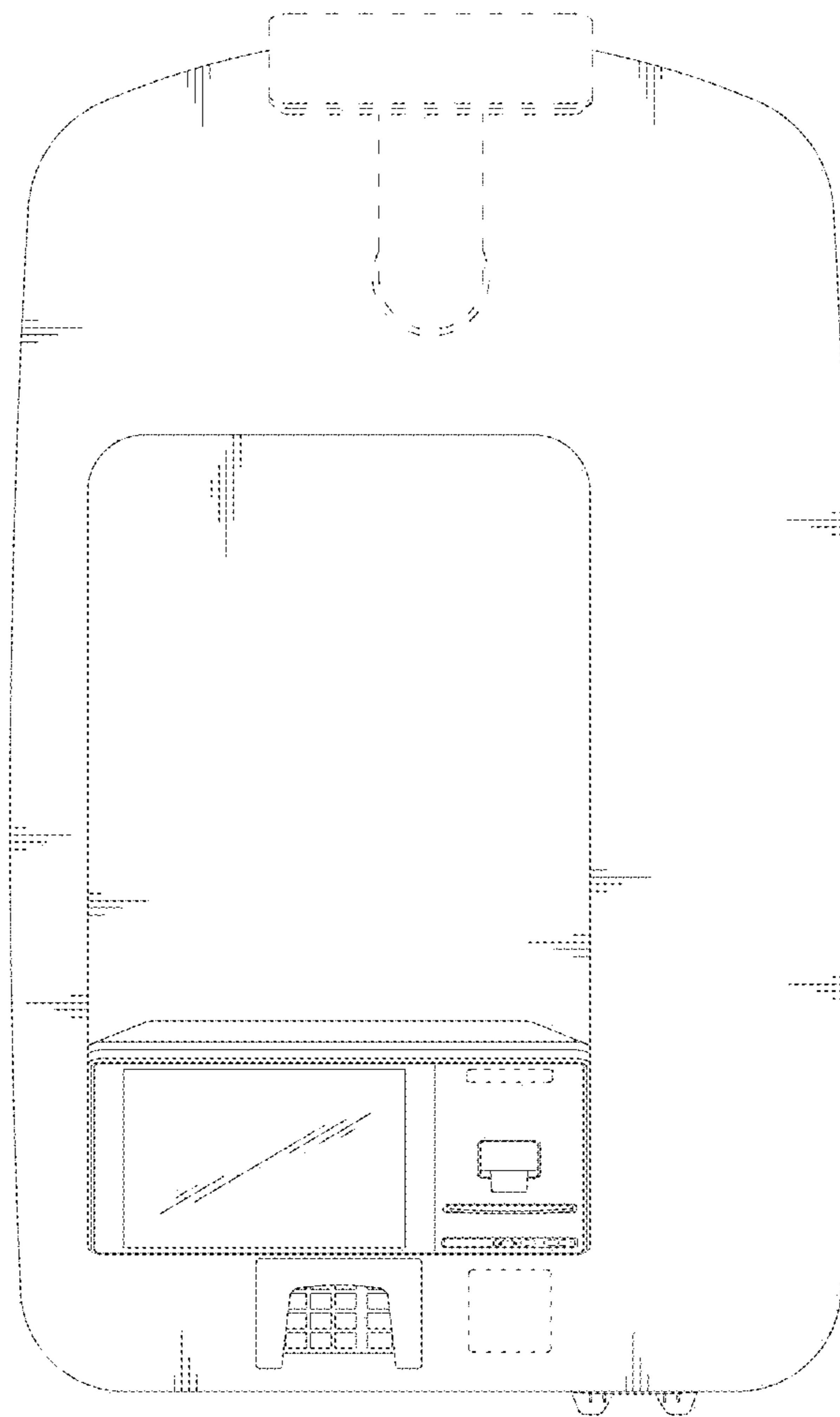




Fig 7

