



US00D955084S

(12) **United States Design Patent**  
**Li**

(10) **Patent No.:** **US D955,084 S**  
(45) **Date of Patent:** **\*\* Jun. 14, 2022**

- (54) **CROSS BASE SCISSOR JACK**
- (71) Applicant: **Ziwei Li**, Foshan (CN)
- (72) Inventor: **Ziwei Li**, Foshan (CN)
- (\*\*) Term: **15 Years**
- (21) Appl. No.: **29/767,819**
- (22) Filed: **Jan. 26, 2021**
- (51) **LOC (13) Cl.** ..... **12-05**
- (52) **U.S. Cl.**  
USPC ..... **D34/31**
- (58) **Field of Classification Search**  
USPC ..... D34/31  
CPC ..... B66F 3/25; B66F 3/12; B66F 3/22; B66F 3/00; B66F 3/08; B66F 3/38; B66F 13/00; B66F 7/00  
See application file for complete search history.

- 5,865,424 A \* 2/1999 Lutz ..... B66F 3/12 254/126
- 5,950,990 A \* 9/1999 Castillo ..... B66F 3/12 254/126
- D481,849 S \* 11/2003 Waltz ..... D34/31
- D620,672 S \* 7/2010 Chen ..... D34/35
- D657,930 S \* 4/2012 Savage, Jr. .... D34/31
- 9,868,620 B1 \* 1/2018 Flippin ..... B66F 13/00
- D906,623 S \* 12/2020 Liang ..... D34/31
- 2001/0015425 A1 \* 8/2001 Garceau ..... B66F 3/12 254/126
- 2005/0092975 A1 \* 5/2005 Tarra ..... B66F 3/12 254/122

(Continued)

**OTHER PUBLICATIONS**

Google search Jan. 21, 2022, crossjack.com, CrossJack,http://crossjack.com/ (Year: 2022).\*

(Continued)

*Primary Examiner* — Cynthia Ramirez

(74) *Attorney, Agent, or Firm* — Rumit Ranjit Kanakia

(56) **References Cited**

**U.S. PATENT DOCUMENTS**

- 4,583,713 A \* 4/1986 Fukura ..... B66F 3/12 254/126
- 4,802,653 A \* 2/1989 Engel ..... B66F 3/12 254/126
- 4,848,733 A \* 7/1989 Yamauchi ..... B66F 3/12 254/126
- 5,303,898 A \* 4/1994 Engel ..... B66F 3/12 254/126
- 5,356,117 A \* 10/1994 Engel ..... B66F 3/12 254/126
- 5,364,071 A \* 11/1994 Lu ..... B66F 3/245 254/124
- D357,788 S \* 4/1995 Everett ..... D34/31
- 5,516,066 A \* 5/1996 Fabiano ..... B66F 3/12 254/133 R
- 5,692,730 A \* 12/1997 Gill ..... B66F 3/12 254/122
- 5,697,598 A \* 12/1997 Fabiano ..... B66F 3/12 254/126

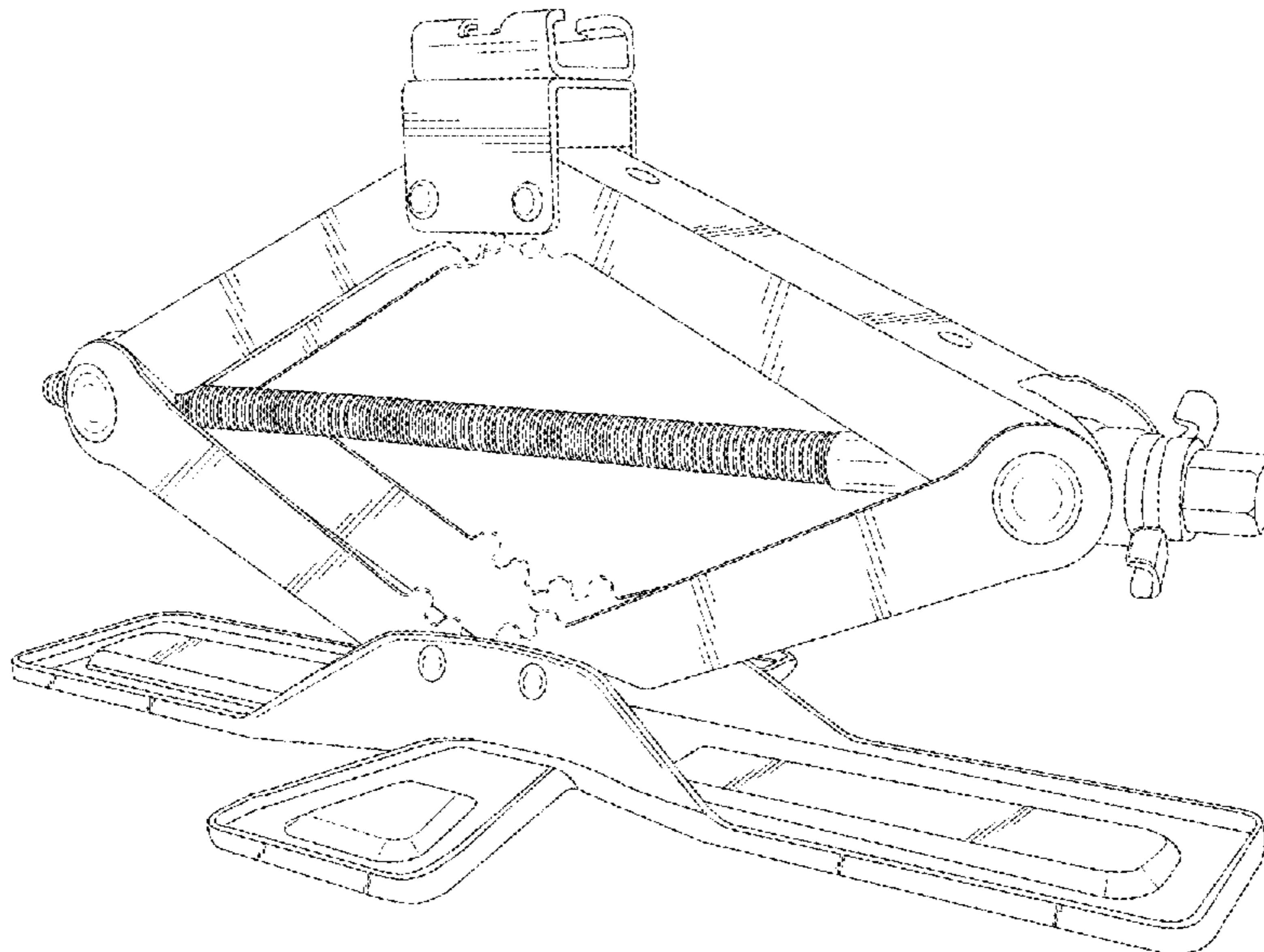
(57) **CLAIM**

I claim the ornamental design for a cross base scissor jack, as shown and described.

**DESCRIPTION**

FIG. 1 is a Perspective view of a cross base scissor jack showing my new design;  
 FIG. 2 is a Front view thereof;  
 FIG. 3 is a Back view thereof;  
 FIG. 4 is a Right-side view thereof;  
 FIG. 5 is a Left-side view thereof;  
 FIG. 6 is a Top view thereof; and,  
 FIG. 7 is a Bottom view thereof.  
 Broken lines in the drawings depict portions of the cross base scissor jack that form no part of the claimed design.

**1 Claim, 7 Drawing Sheets**



(56)

**References Cited**

U.S. PATENT DOCUMENTS

2005/0218385 A1\* 10/2005 Lemelson ..... B66F 3/12  
 254/126  
 2008/0134831 A1\* 6/2008 Lee ..... B66F 3/12  
 74/522.5  
 2008/0272349 A1\* 11/2008 Alluru ..... B66F 3/12  
 254/126  
 2009/0026428 A1\* 1/2009 Naijiang ..... B66F 3/12  
 254/133 R  
 2009/0057634 A1\* 3/2009 Giralde ..... B66F 3/12  
 254/424  
 2011/0006273 A1\* 1/2011 Chen ..... B66F 3/12  
 254/126  
 2014/0070501 A1\* 3/2014 Shih ..... B66F 3/12  
 279/143  
 2014/0299825 A1\* 10/2014 Guney ..... B66F 13/00  
 254/134  
 2017/0369289 A1\* 12/2017 Flippin ..... B66F 3/12  
 2018/0273359 A1\* 9/2018 Cheung ..... B66F 13/00  
 2019/0062133 A1\* 2/2019 Ge ..... B66F 3/12

2019/0100256 A1\* 4/2019 Cherry ..... B60S 9/04  
 2019/0218078 A1\* 7/2019 Tao ..... B66F 3/12  
 2019/0241413 A1\* 8/2019 Lim ..... B66F 3/22  
 2019/0352155 A1\* 11/2019 Christie ..... B66F 3/12  
 2019/0359461 A1\* 11/2019 Gretz ..... B66F 1/02  
 2020/0024113 A1\* 1/2020 Brasola ..... B66F 3/12  
 2021/0214198 A1\* 7/2021 Gordon ..... B66F 3/12

OTHER PUBLICATIONS

Google search Jan. 21, 2022, Yanko Design.com, A Trauma Surgeon redesign the age old car jack t make it much safer to use, <https://www.yankodesign.com/2020/02/13/a-trauma-surgeon-redesigned-the-age-old-car-jack-to-make-it-much-safer-to-use/> (Year: 2020).\*  
 Amazon.com Jan. 21, 2022, Pro-lift T-9456 grey scissor jack, <https://www.amazon.com/Pro-LifT-T-9456-Grey-Scissor-Jack/dp/B000BQN09Q> (Year: 2005).\*  
 Torin 101/2 Ton Scissor Jack, Jan. 21, 2022, <https://www.lowes.com/pd/Torin-Torin-1-1-2-Ton-Scissors-Jack/1002845916> (Year: 2022).\*

\* cited by examiner

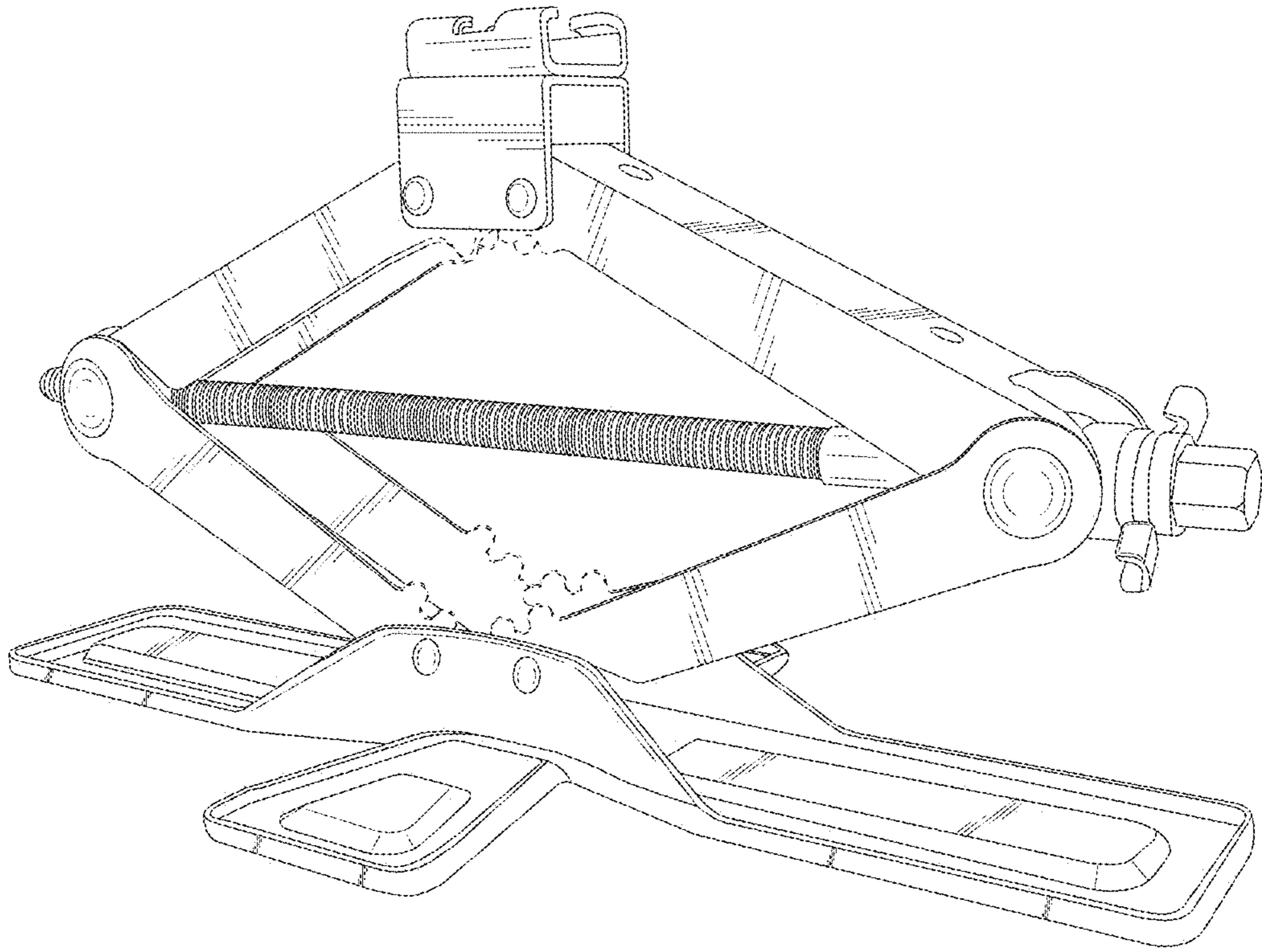


FIG. 1

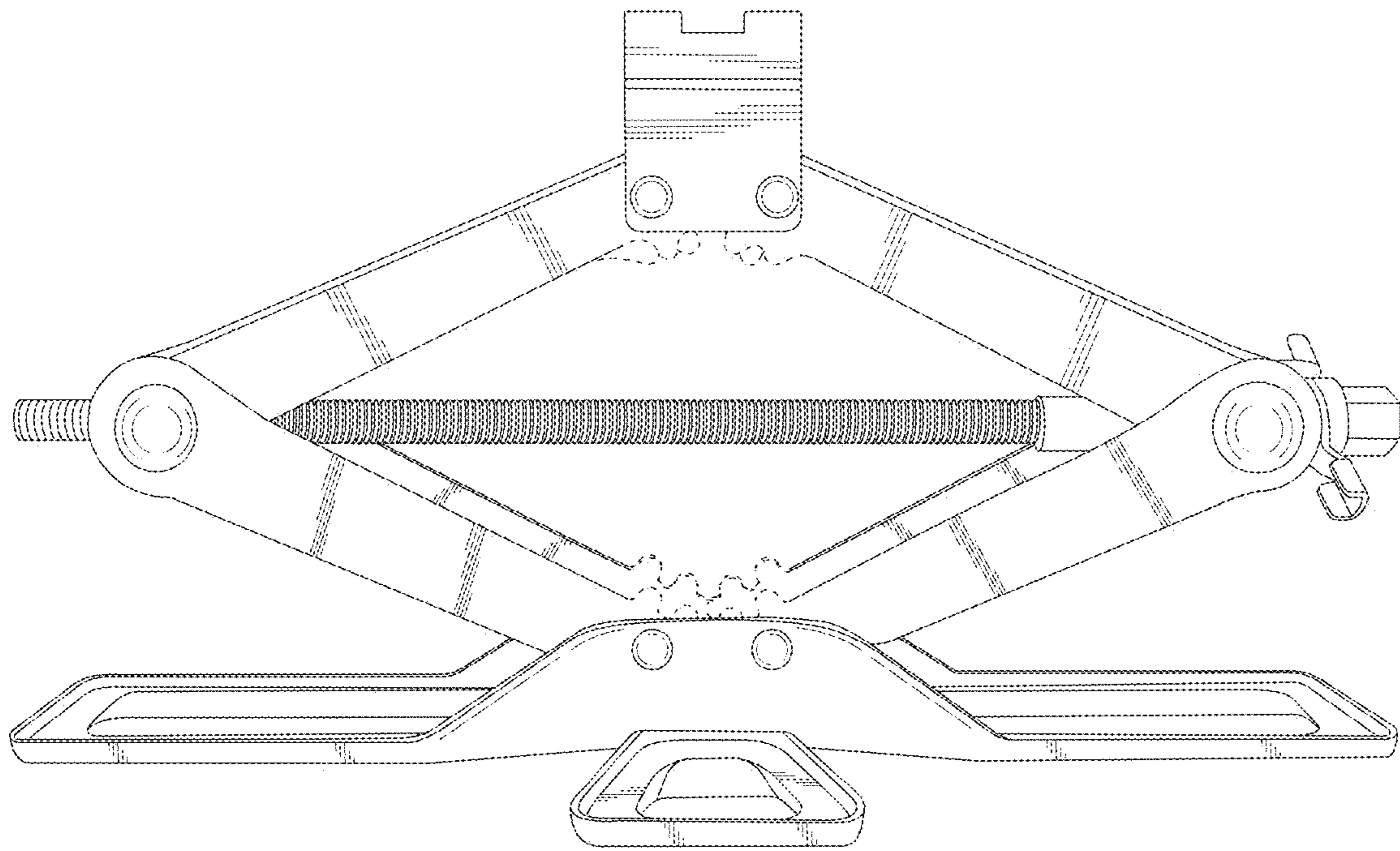


FIG. 2

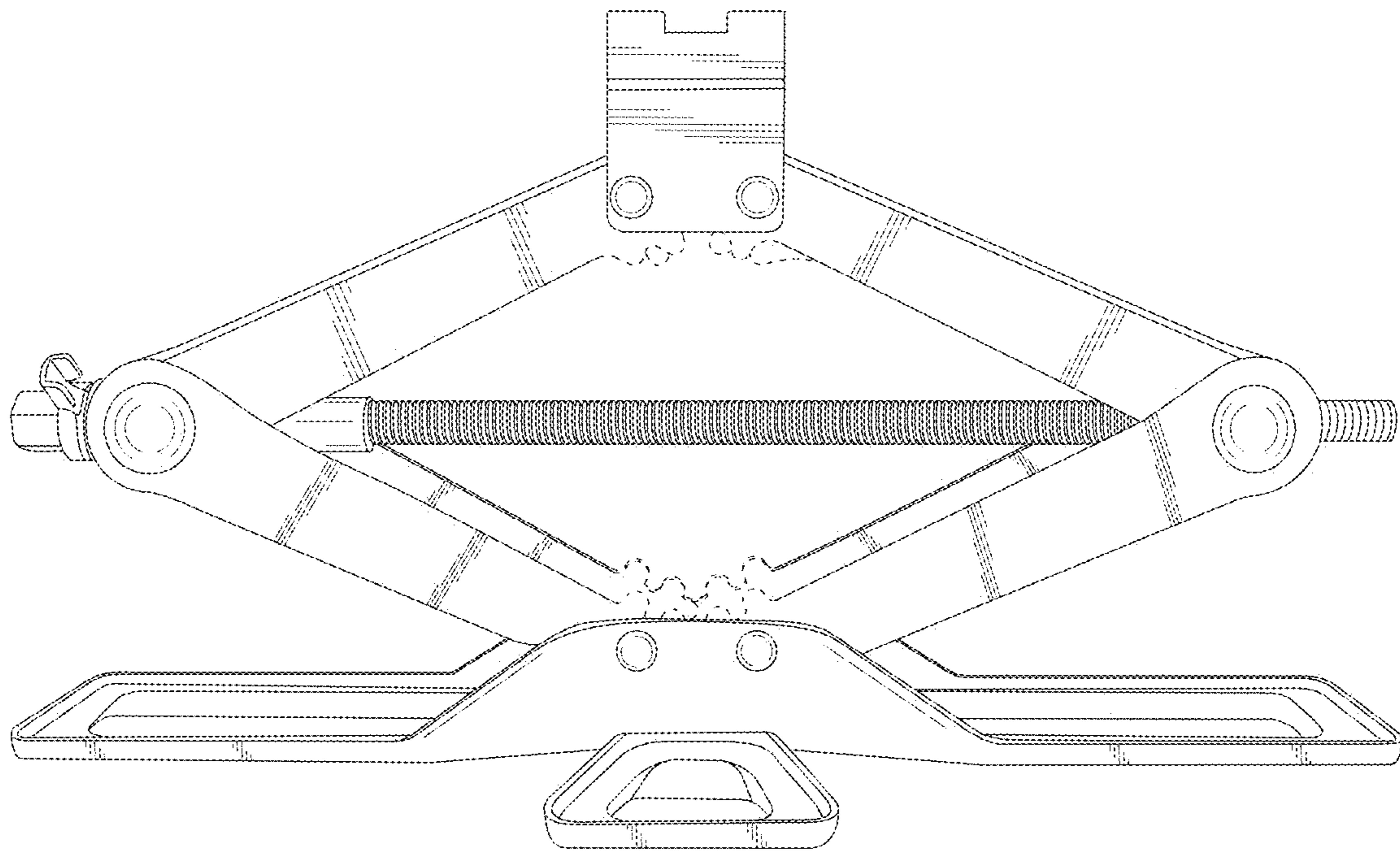


FIG. 3

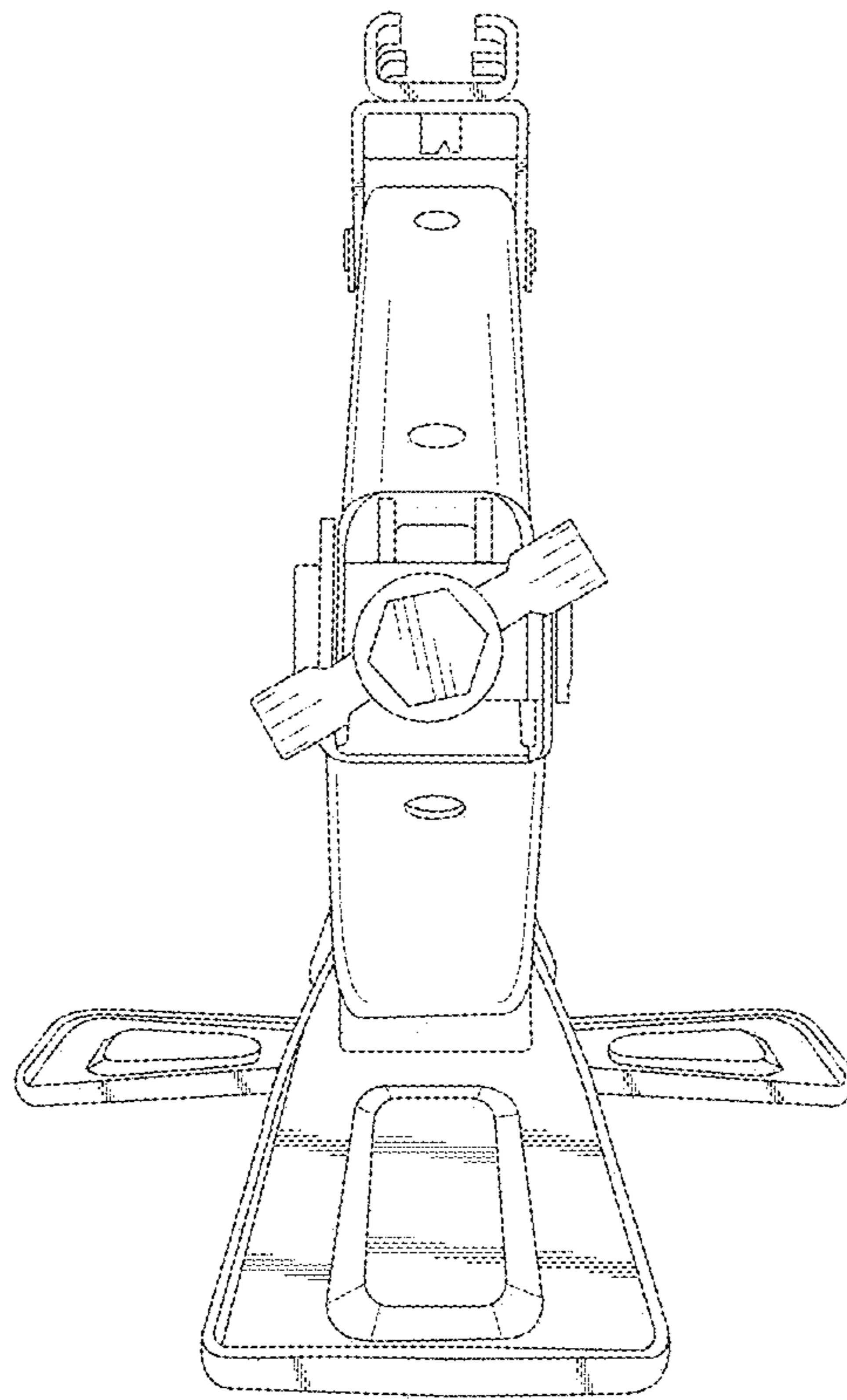


FIG. 4

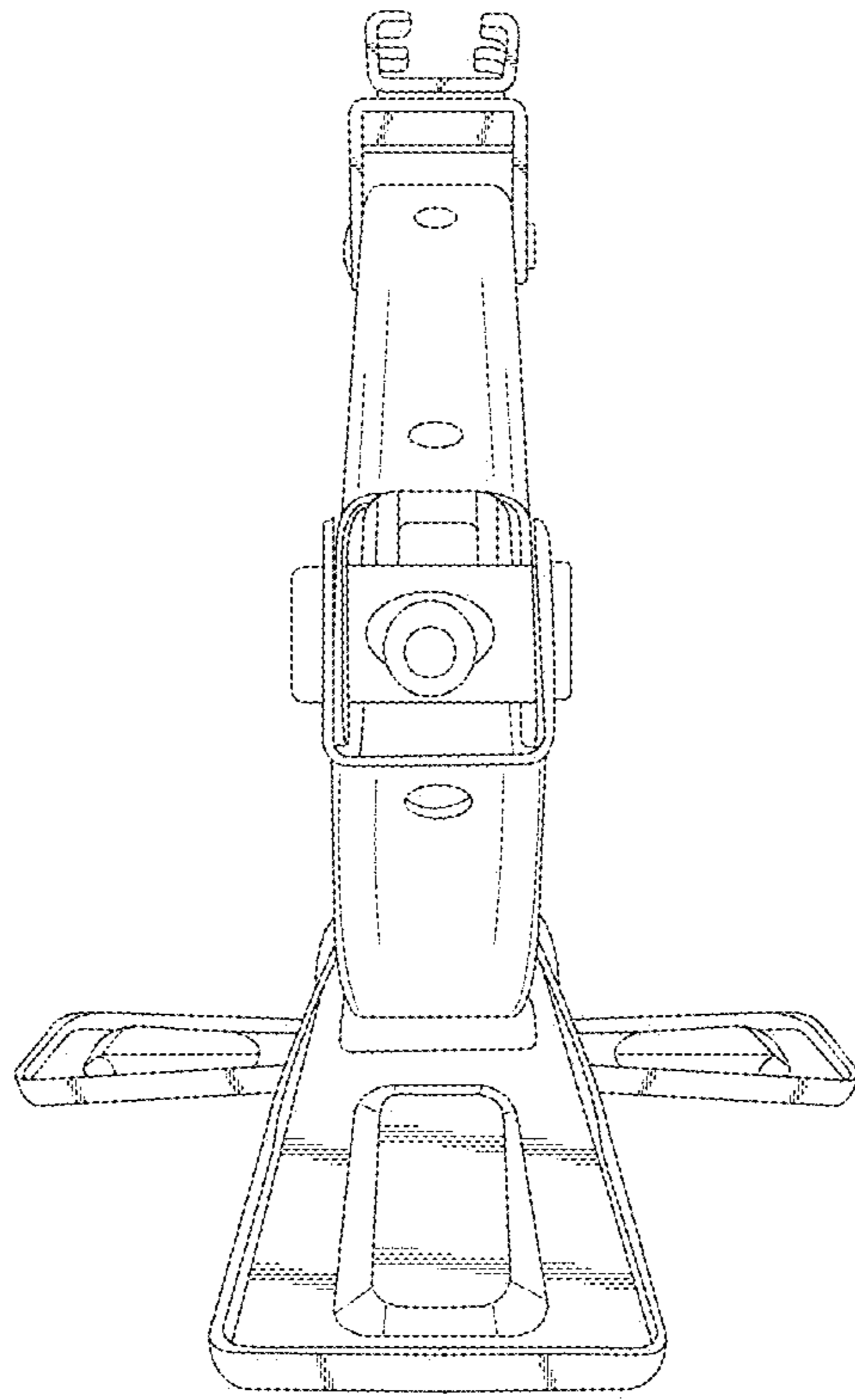


FIG. 5

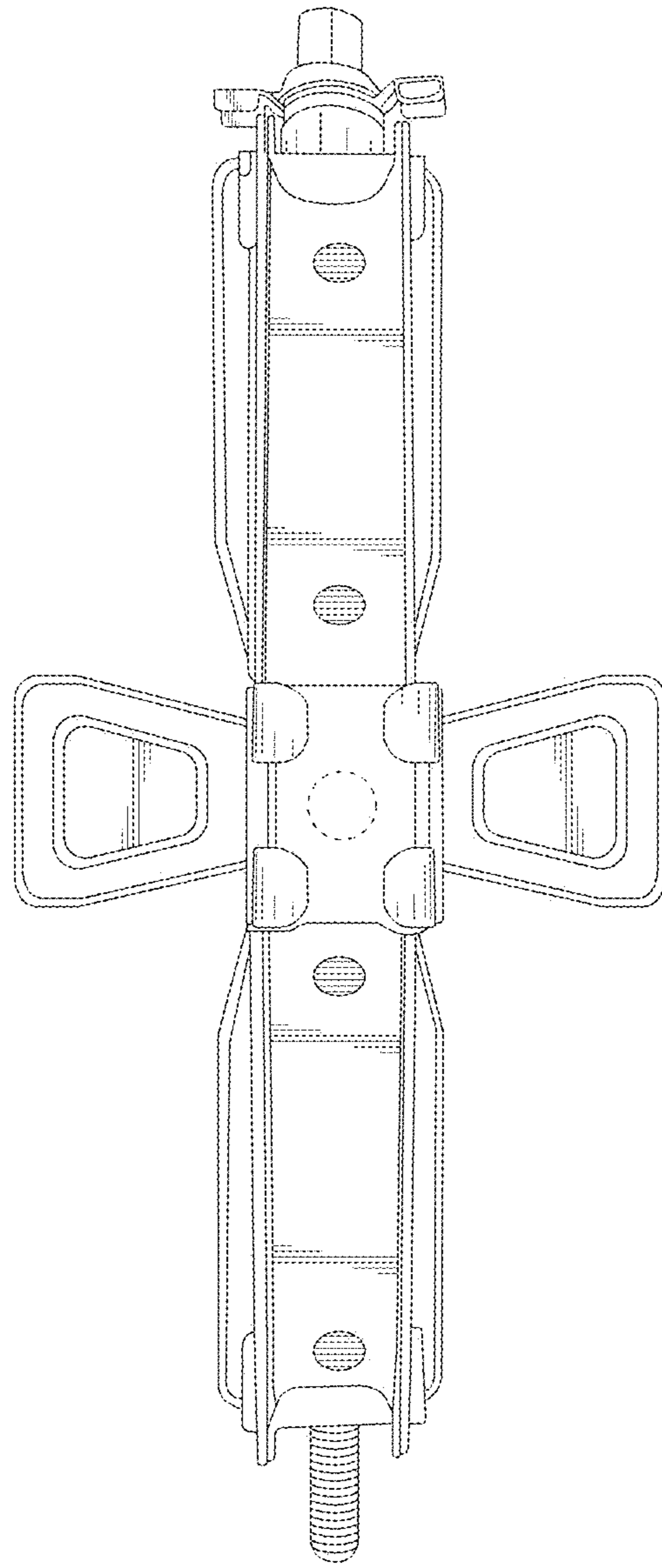


FIG. 6



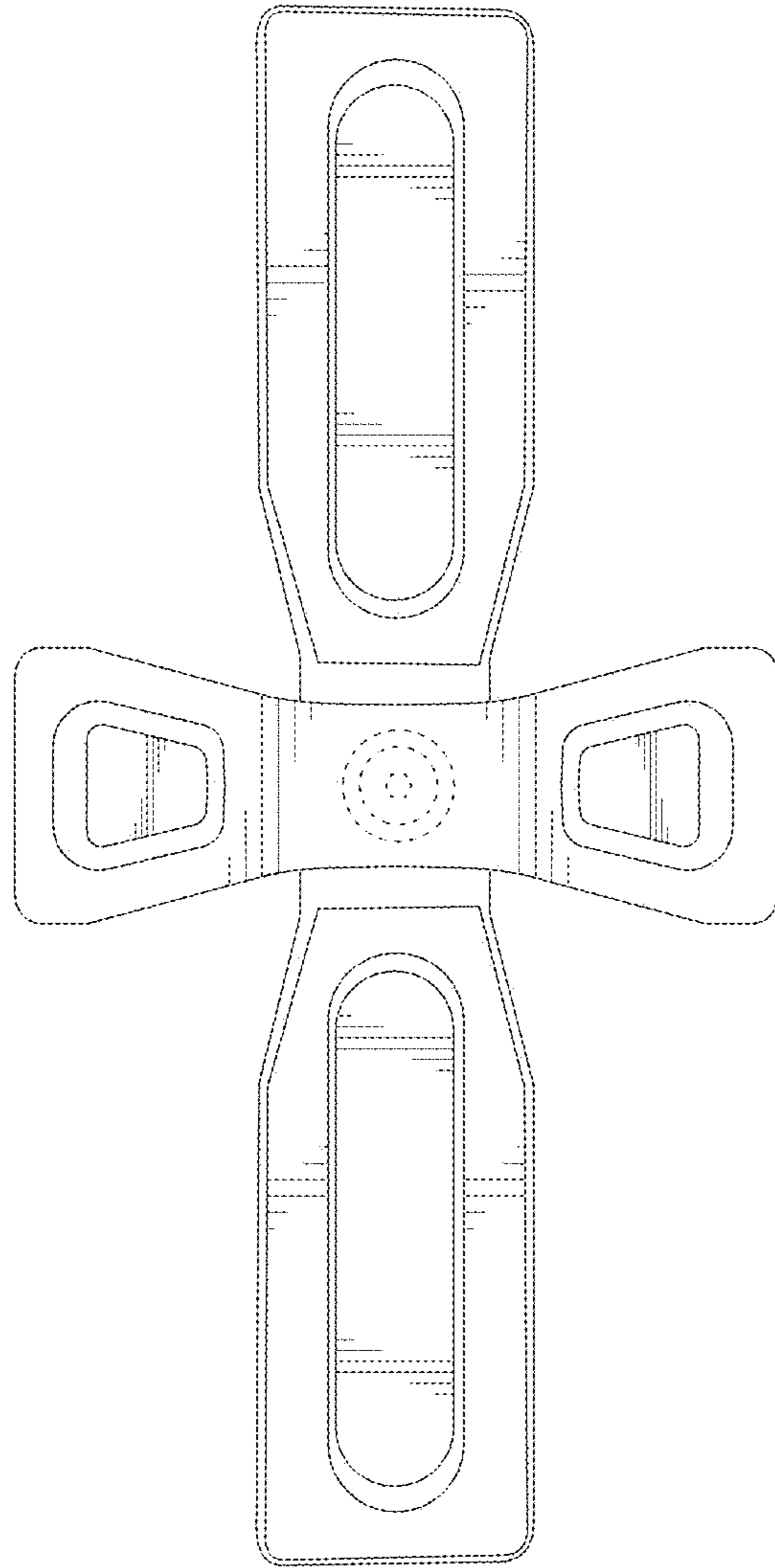


FIG. 7