



US00D955083S

(12) **United States Design Patent**
Au et al.

(10) **Patent No.:** **US D955,083 S**
(45) **Date of Patent:** **** Jun. 14, 2022**

(54) **CART**

FOREIGN PATENT DOCUMENTS

(71) Applicant: **B-O-F CORPORATION**, Aurora, IL (US)

IE S20090718 A2 6/2010

* cited by examiner

(72) Inventors: **Derek Au**, Aurora, IL (US); **Edwin Albarran**, Chicago, IL (US); **Howard Topping**, Barrington, IL (US); **Julio Rubio**, Joliet, IL (US)

Primary Examiner — Cynthia Ramirez

Assistant Examiner — Tamara L Hahn

(74) *Attorney, Agent, or Firm* — Marshall, Gerstein & Borun LLP

(73) Assignee: **B-O-F CORPORATION**, Aurora, IL (US)

(**) Term: **15 Years**

(57) **CLAIM**

The ornamental design for a cart, as shown and described.

(21) Appl. No.: **29/754,505**

(22) Filed: **Oct. 12, 2020**

(51) **LOC (13) Cl.** **12-02**

(52) **U.S. Cl.**

USPC **D34/21**

(58) **Field of Classification Search**

USPC D34/12-14, 17, 19, 20, 21, 23, 26, 27

CPC .. B62B 1/00; B62B 1/008; B62B 1/12; B62B

1/10; B62B 3/002; B62B 3/006; B62B

3/02; B62B 3/10; B62B 3/022; B62B

3/001; B62B 3/067; B62B 5/003; B62B

5/0083; B62B 5/005

See application file for complete search history.

(56) **References Cited**

U.S. PATENT DOCUMENTS

D917,822 S * 4/2021 Matecki D34/21

D927,818 S * 8/2021 Li D34/21

D939,176 S * 12/2021 Au D34/12

DESCRIPTION

FIG. 1 is a top, left, rear isometric view of a cart showing the new design;

FIG. 2 is a left elevation view of the invention illustrated in FIG. 1;

FIG. 3 is a right elevation view of the invention illustrated in FIG. 1;

FIG. 4 is a rear view of the invention illustrated in FIG. 1;

FIG. 5 is a front view of the invention illustrated in FIG. 1;

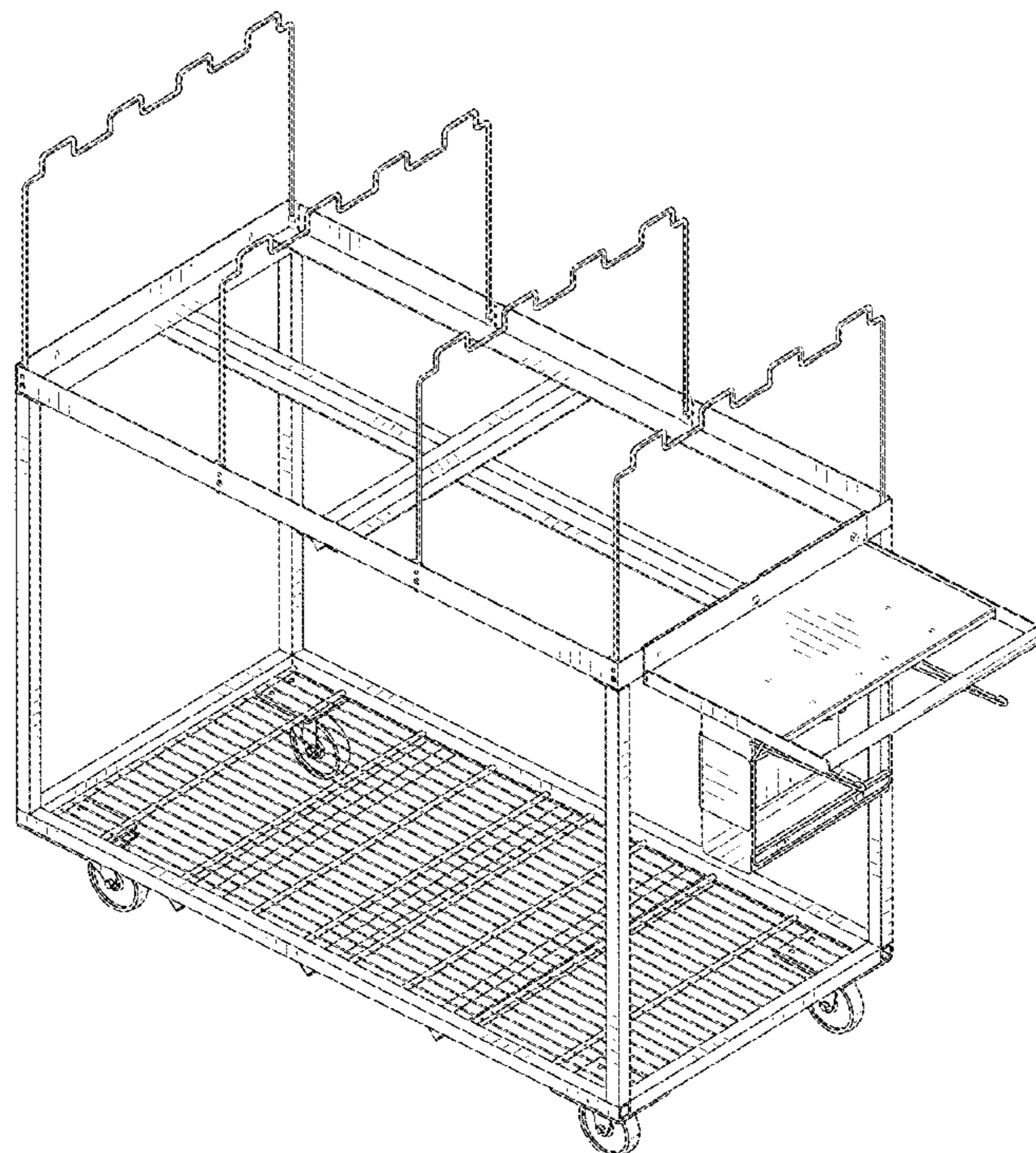
FIG. 6 is a top view of the invention illustrated in FIG. 1;

and,

FIG. 7 is a bottom view of the invention illustrated in FIG. 1.

The broken lines in the drawings depict portions of the cart that form no part of the claimed design.

1 Claim, 7 Drawing Sheets



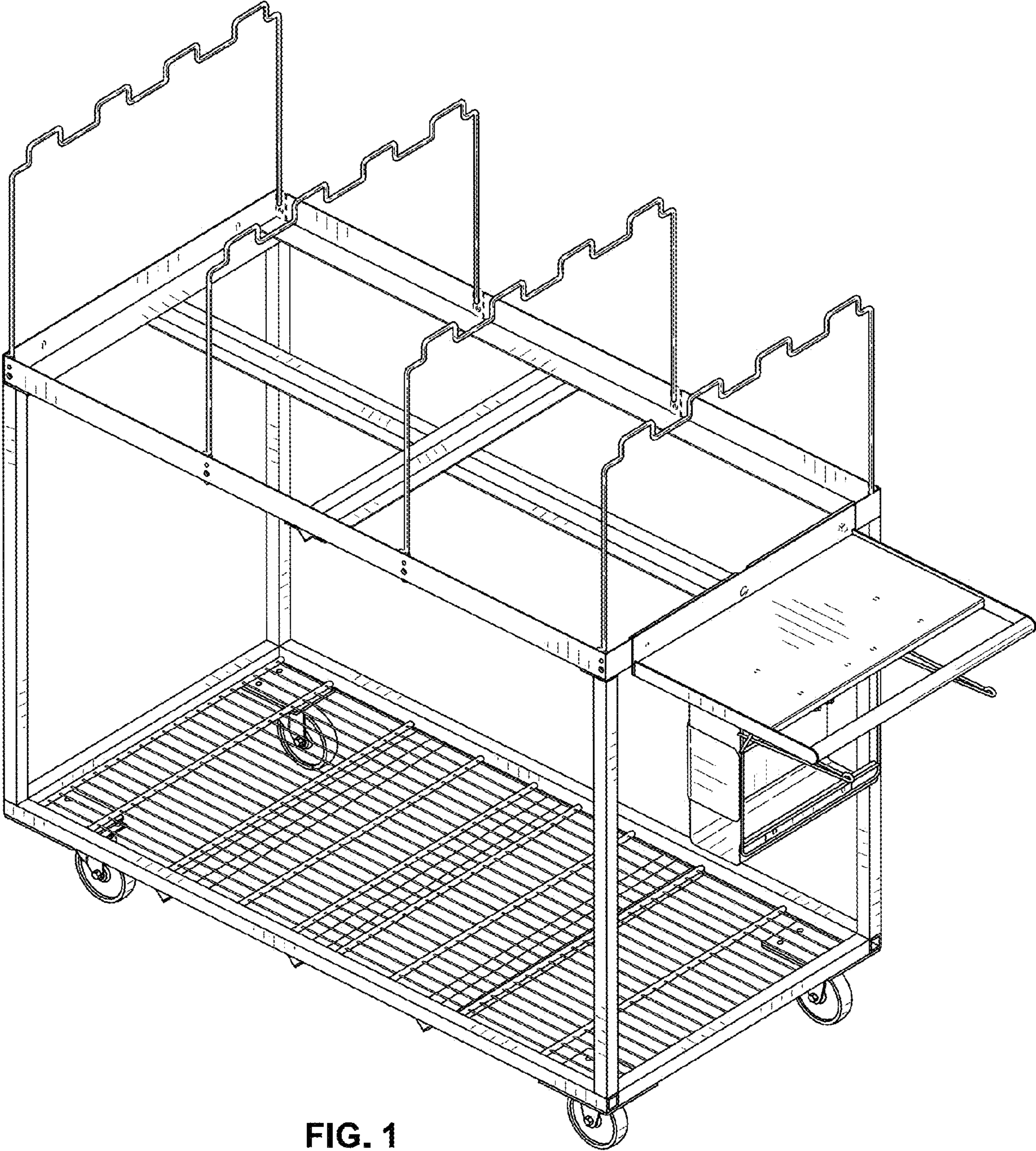


FIG. 1

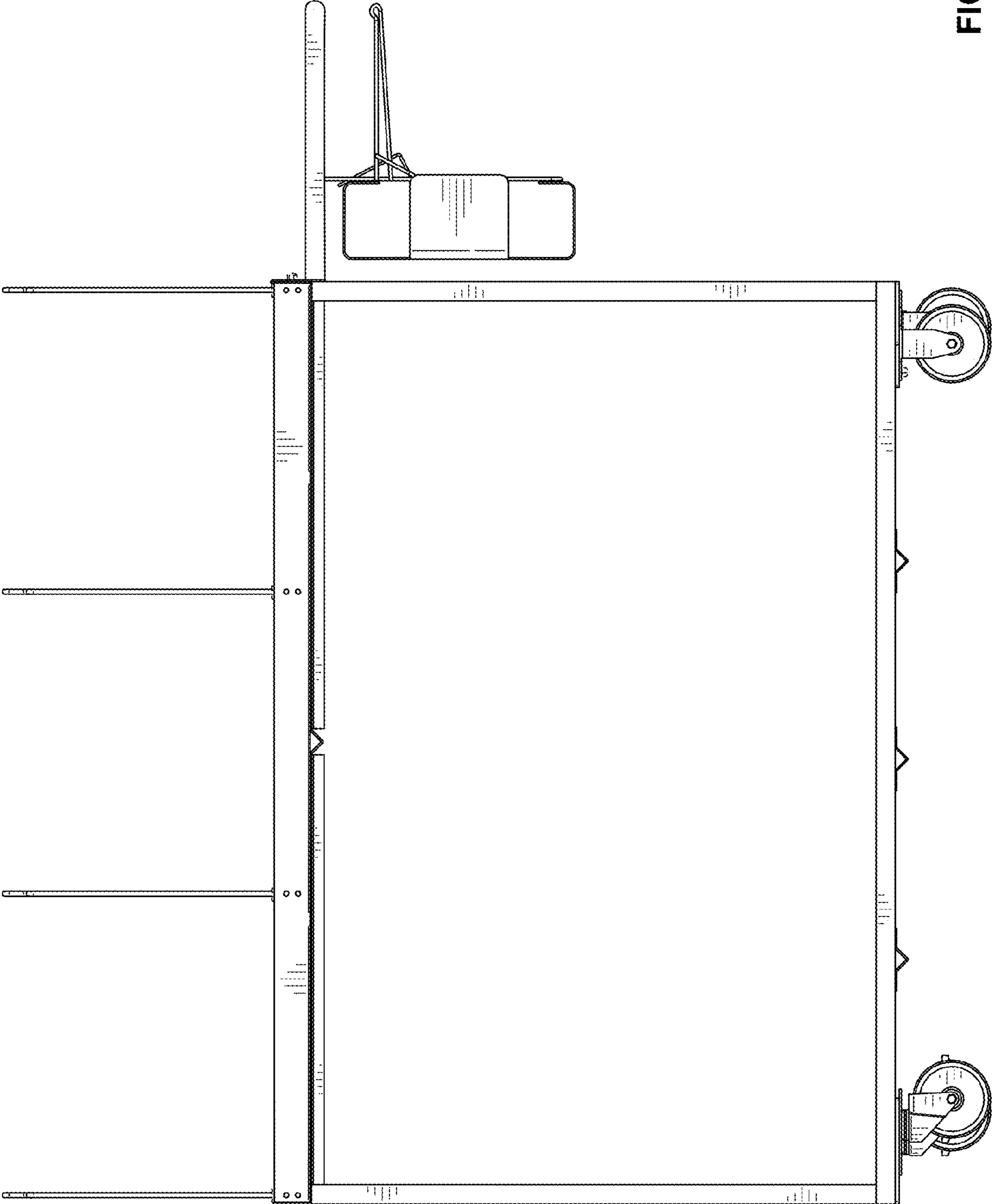


FIG. 2

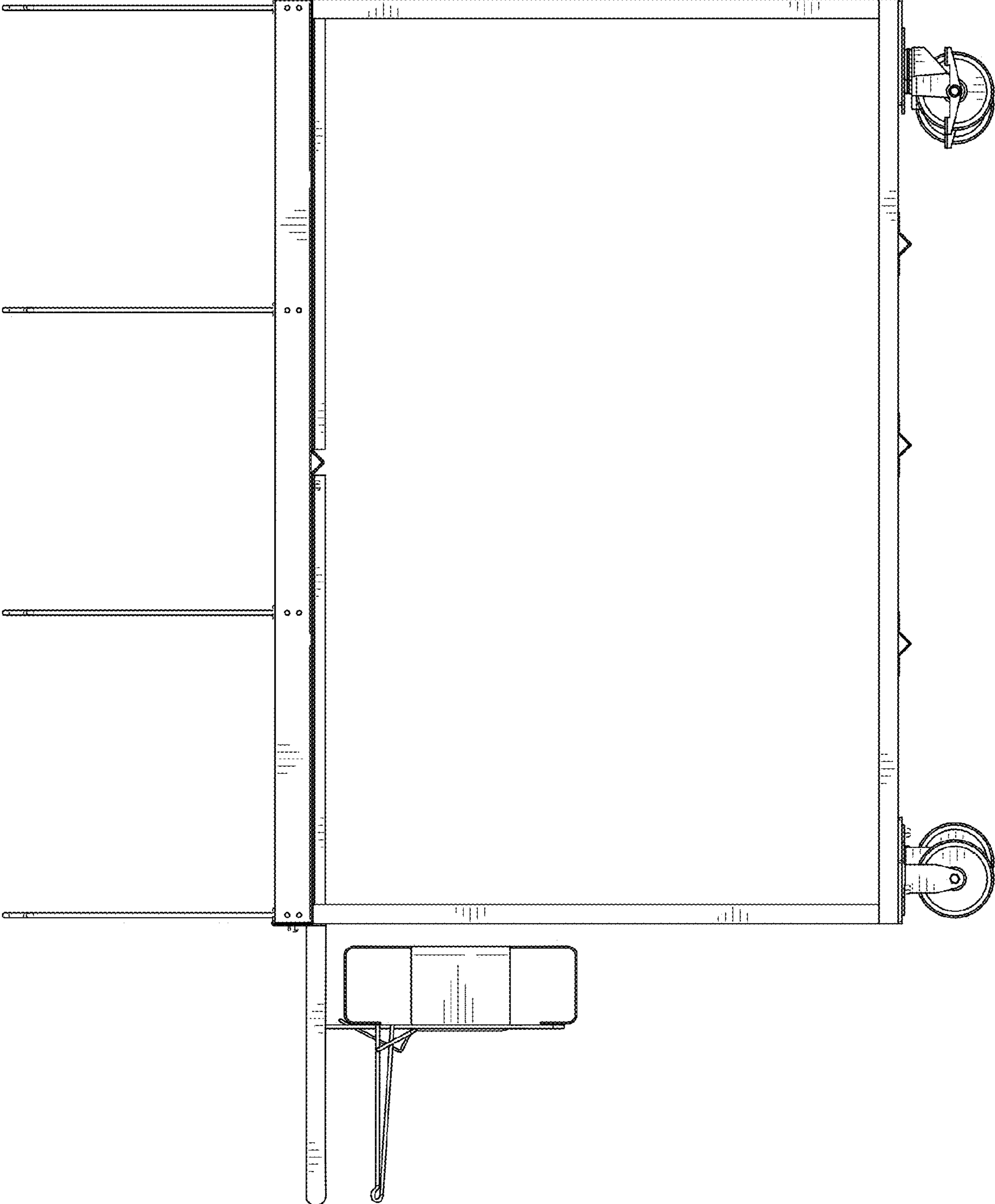


FIG. 3

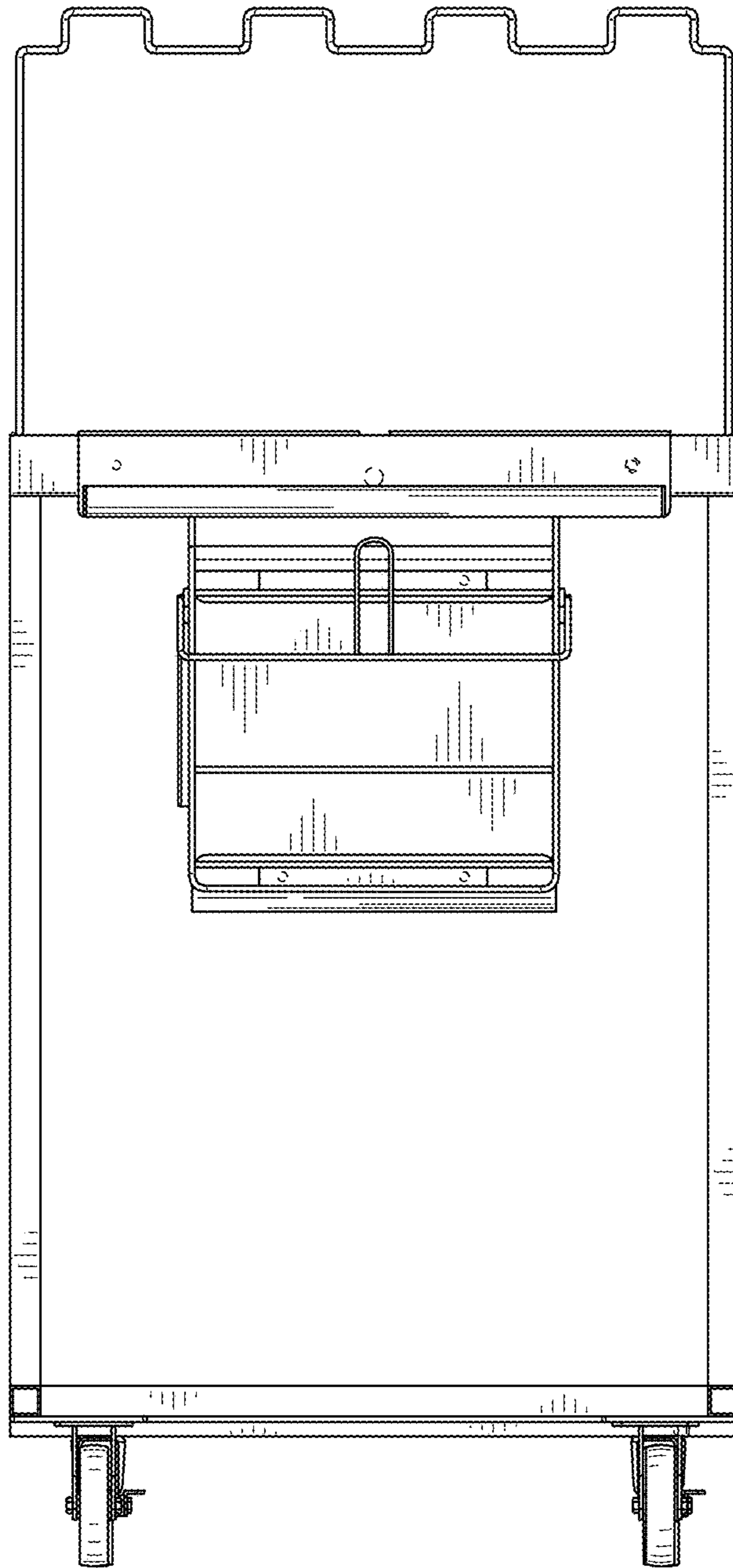


FIG. 4

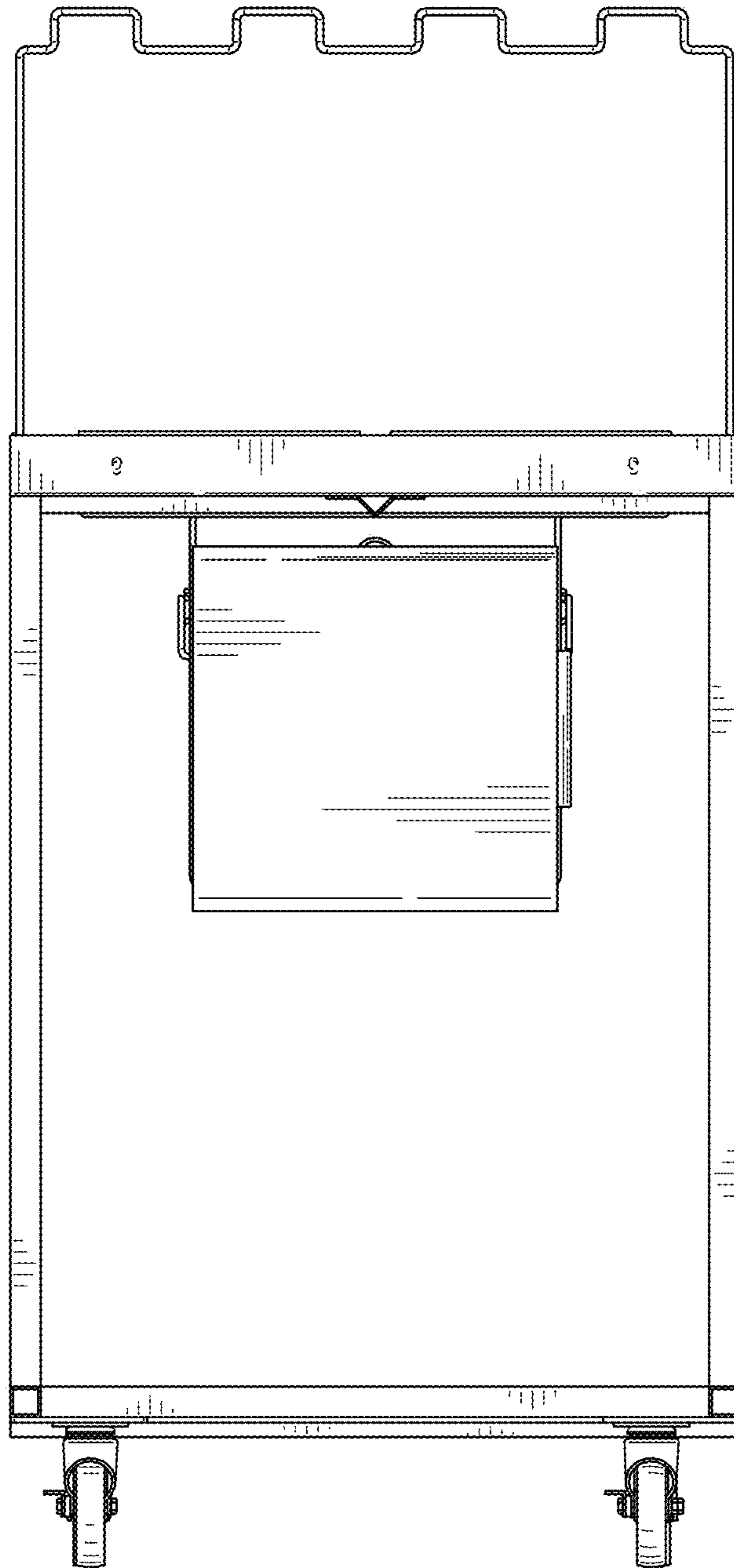


FIG. 5

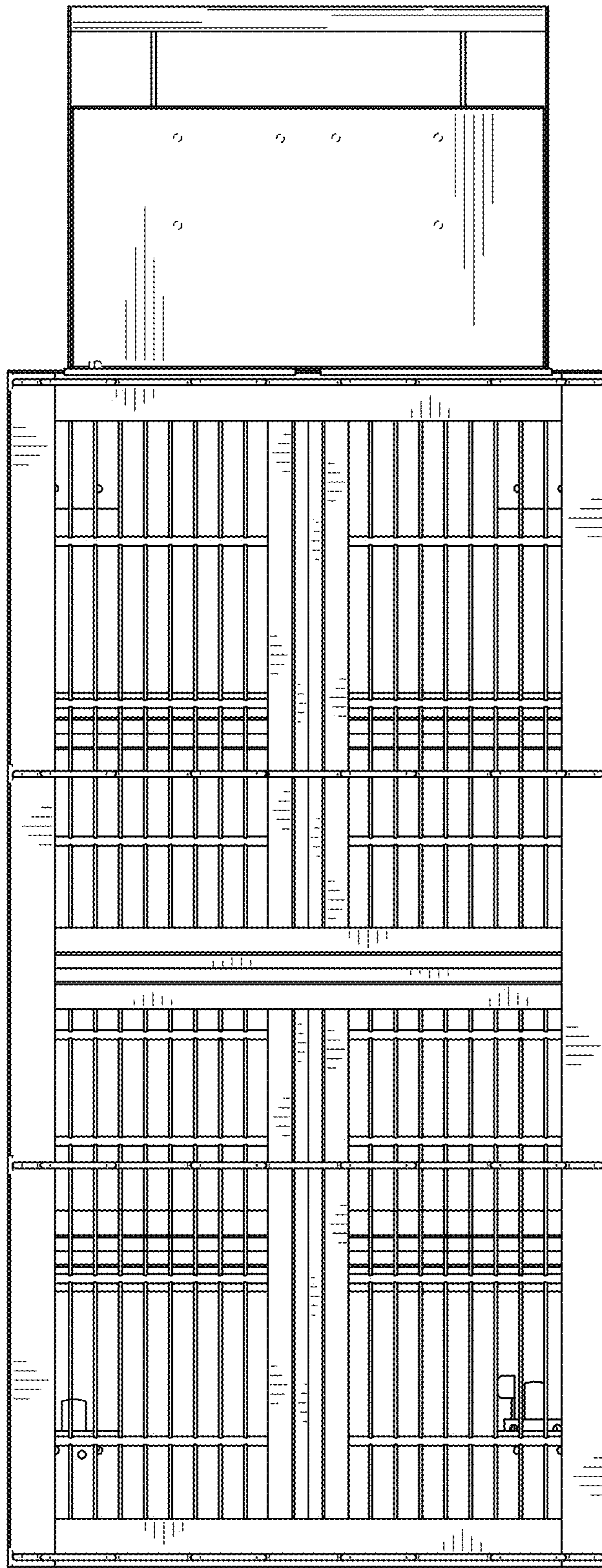


FIG. 6

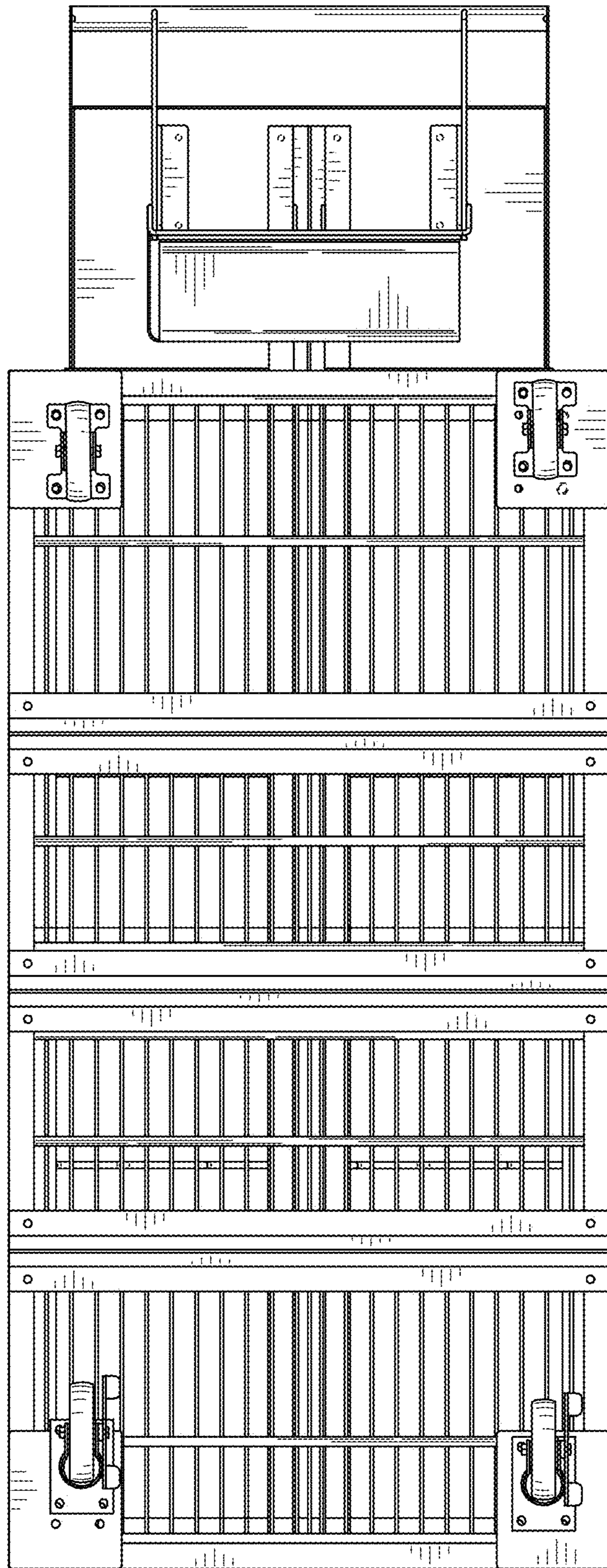


FIG. 7