



US00D955082S

(12) **United States Design Patent**
Slack

(10) **Patent No.:** **US D955,082 S**
(45) **Date of Patent:** **** Jun. 14, 2022**

(54) **WATER WAGON FRAME**

(71) Applicant: **SLACKER CUSTOMS, LLC**, Lake Worth, FL (US)

(72) Inventor: **Nathan Slack**, Lake Worth, FL (US)

(73) Assignee: **Slacker Customs, LLC**, Lake Worth, FL (US)

(**) Term: **15 Years**

(21) Appl. No.: **29/749,821**

(22) Filed: **Sep. 9, 2020**

(51) **LOC (13) Cl.** **12-02**

(52) **U.S. Cl.**
USPC **D34/17**

(58) **Field of Classification Search**
USPC D34/12-27; D21/425
CPC B62B 3/00; B62B 7/00
See application file for complete search history.

(56) **References Cited**

U.S. PATENT DOCUMENTS

D382,309 S *	8/1997	Brown	D21/425
D782,580 S *	3/2017	Herlitz	D21/425
2015/0084298 A1 *	3/2015	Herlitz	B62B 3/02 280/87.01
2015/0274186 A1 *	10/2015	Treadwell	B62B 3/007 280/651

OTHER PUBLICATIONS

Step 2 wagon, announced 1/282020 [online], [site visited Dec. 2, 2021]. Available from internet, URL: https://www.amazon.com/Step2-Choo-Kids-Wagon/dp/B004SS5LR2/ref=asc_df_B004SS5LR2/ (Year: 2020).*

* cited by examiner

Primary Examiner — Cynthia Ramirez

Assistant Examiner — Tamara L Hahn

(74) *Attorney, Agent, or Firm* — McHale & Slavin, P.A.

(57) **CLAIM**

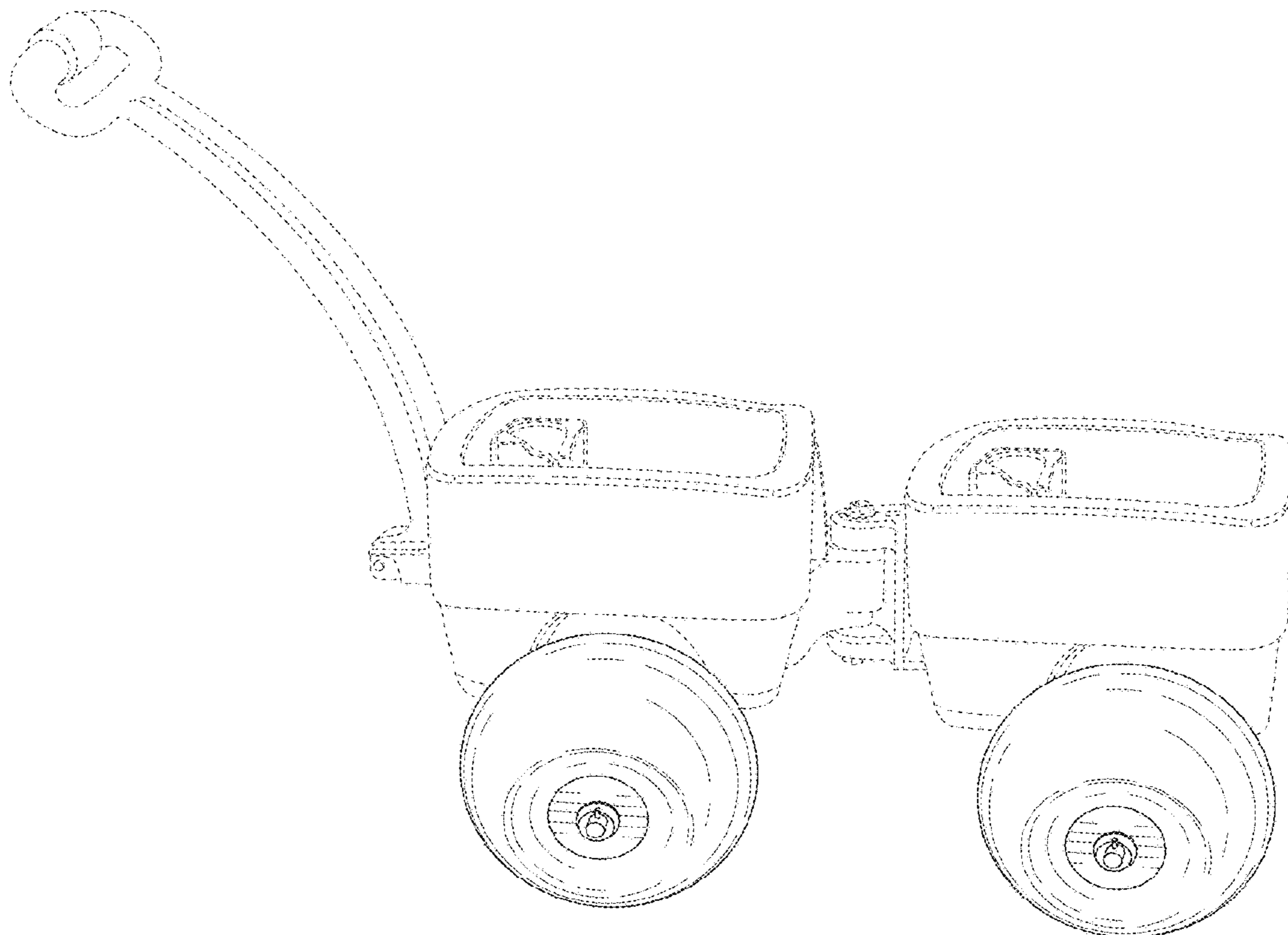
The ornamental design for a water wagon frame, as shown and described.

DESCRIPTION

FIG. 1 is a front top right perspective view of the water wagon frame of the present invention; FIG. 2 is a front view thereof; FIG. 3 is a rear view thereof; FIG. 4 is a right side view thereof; FIG. 5 is a left side view thereof; FIG. 6 is a top view thereof; and, FIG. 7 is a bottom view thereof.

The portions of the drawings illustrating the ride-on wagon in broken lines form no part of the design claim for the water wagon frame.

1 Claim, 7 Drawing Sheets



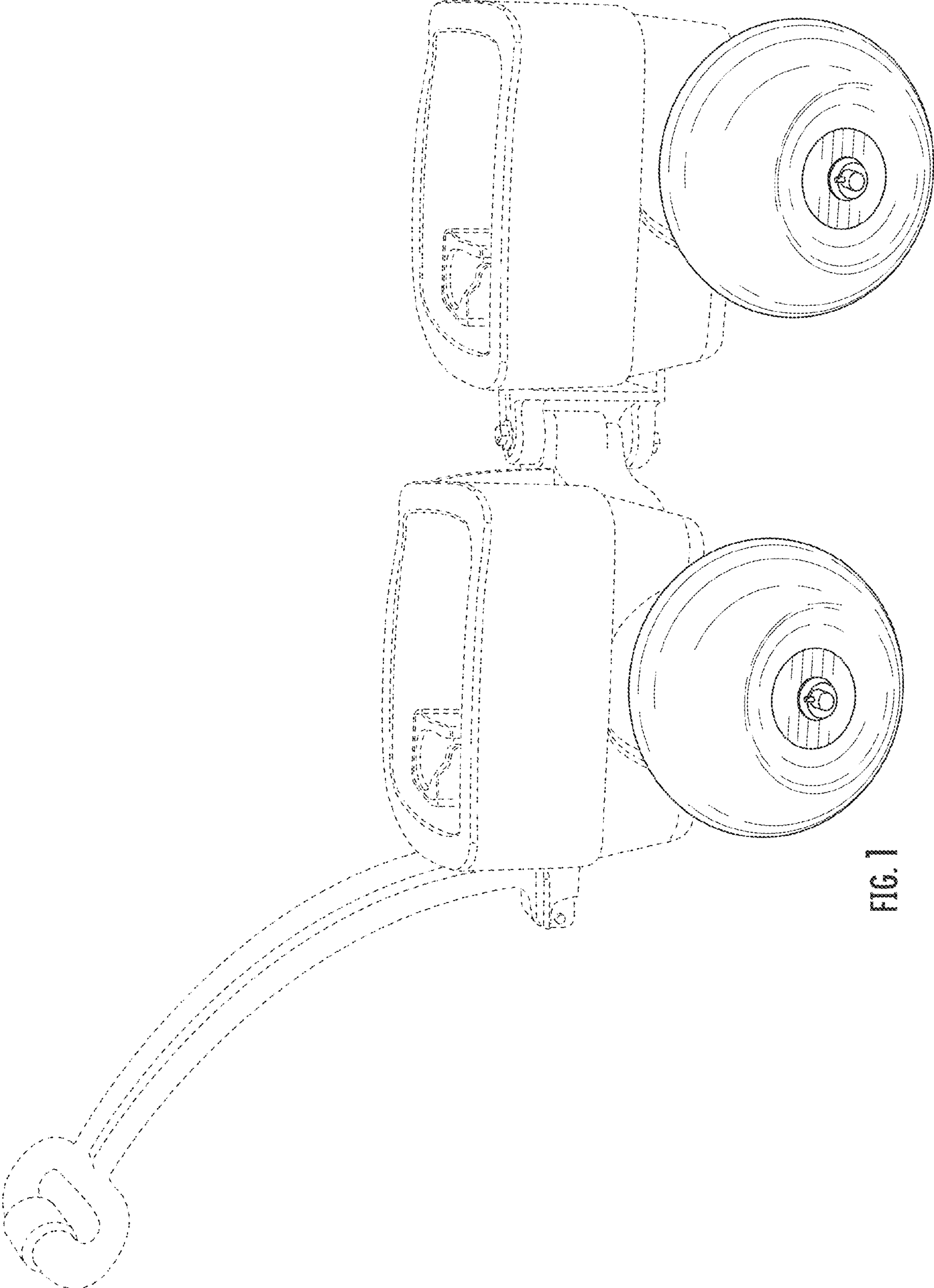


FIG. 1

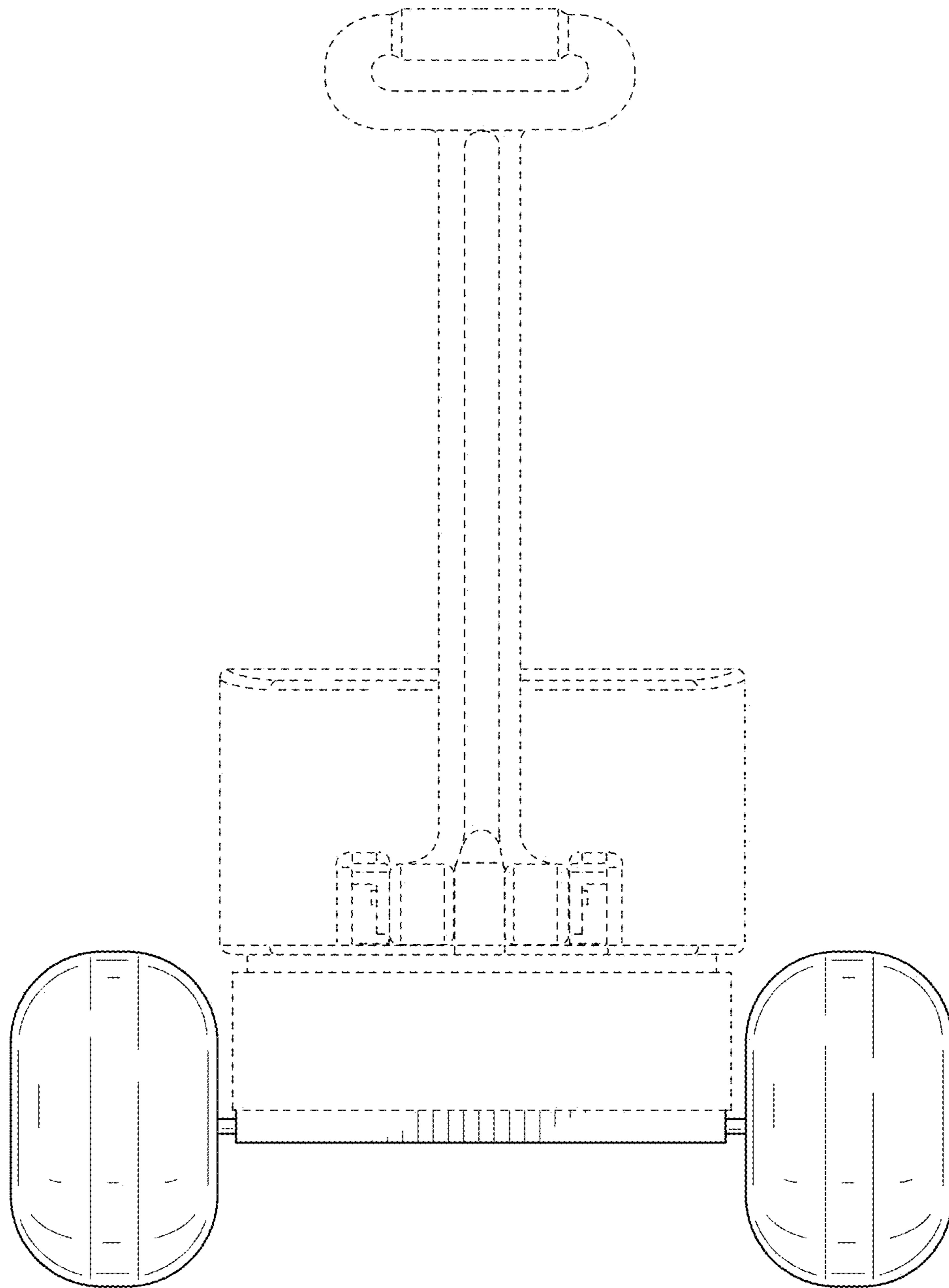


FIG. 2

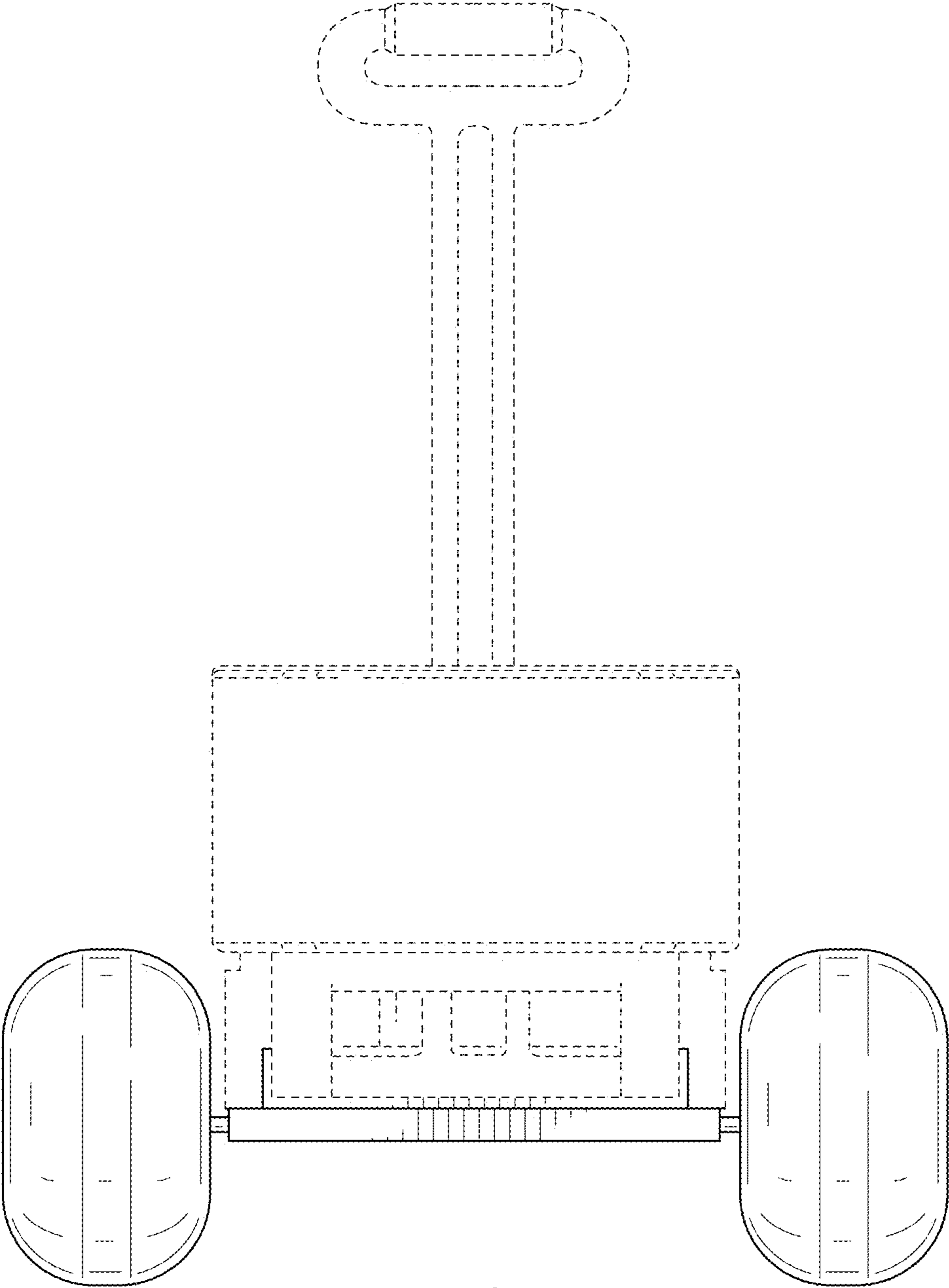


FIG. 3

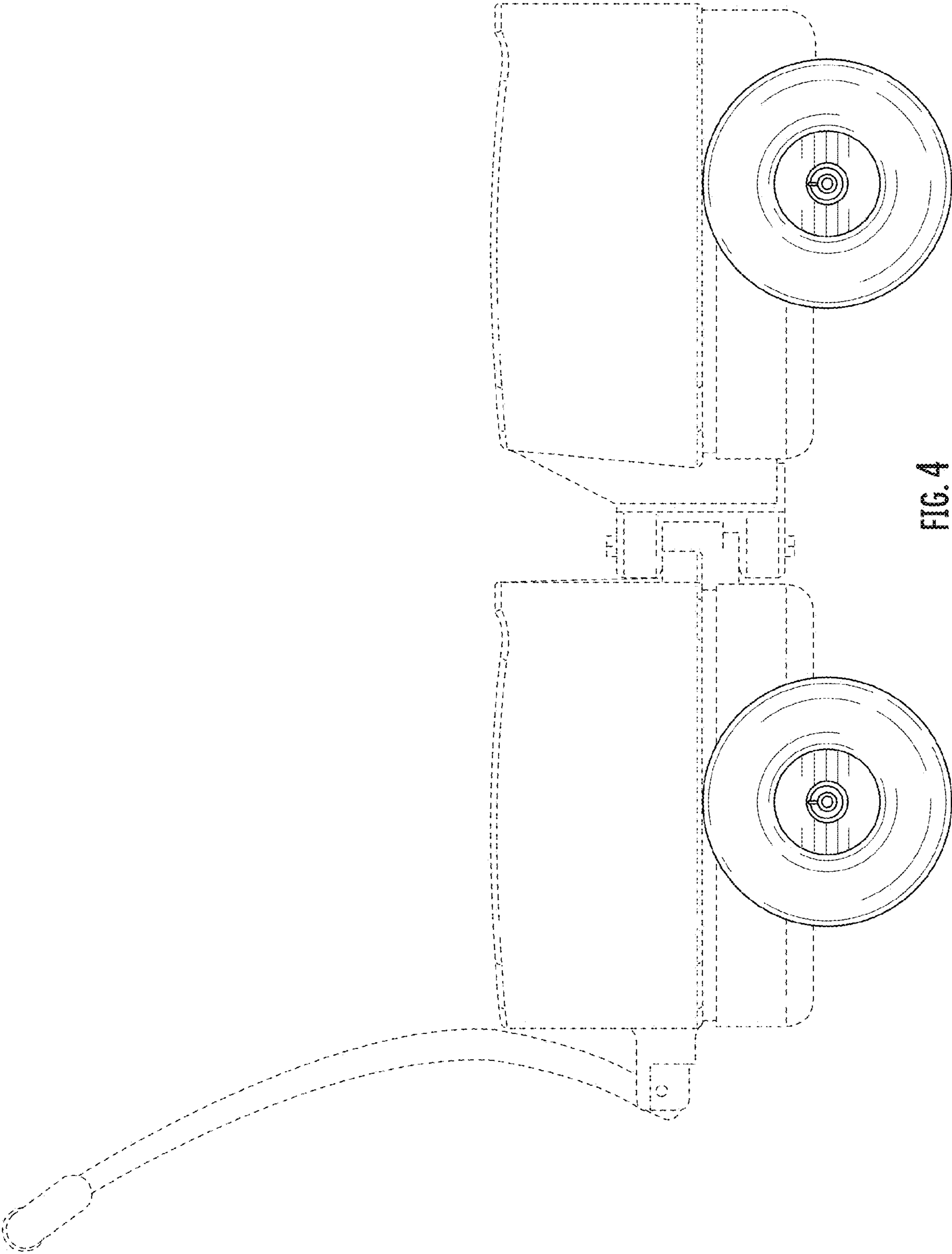


FIG. 4

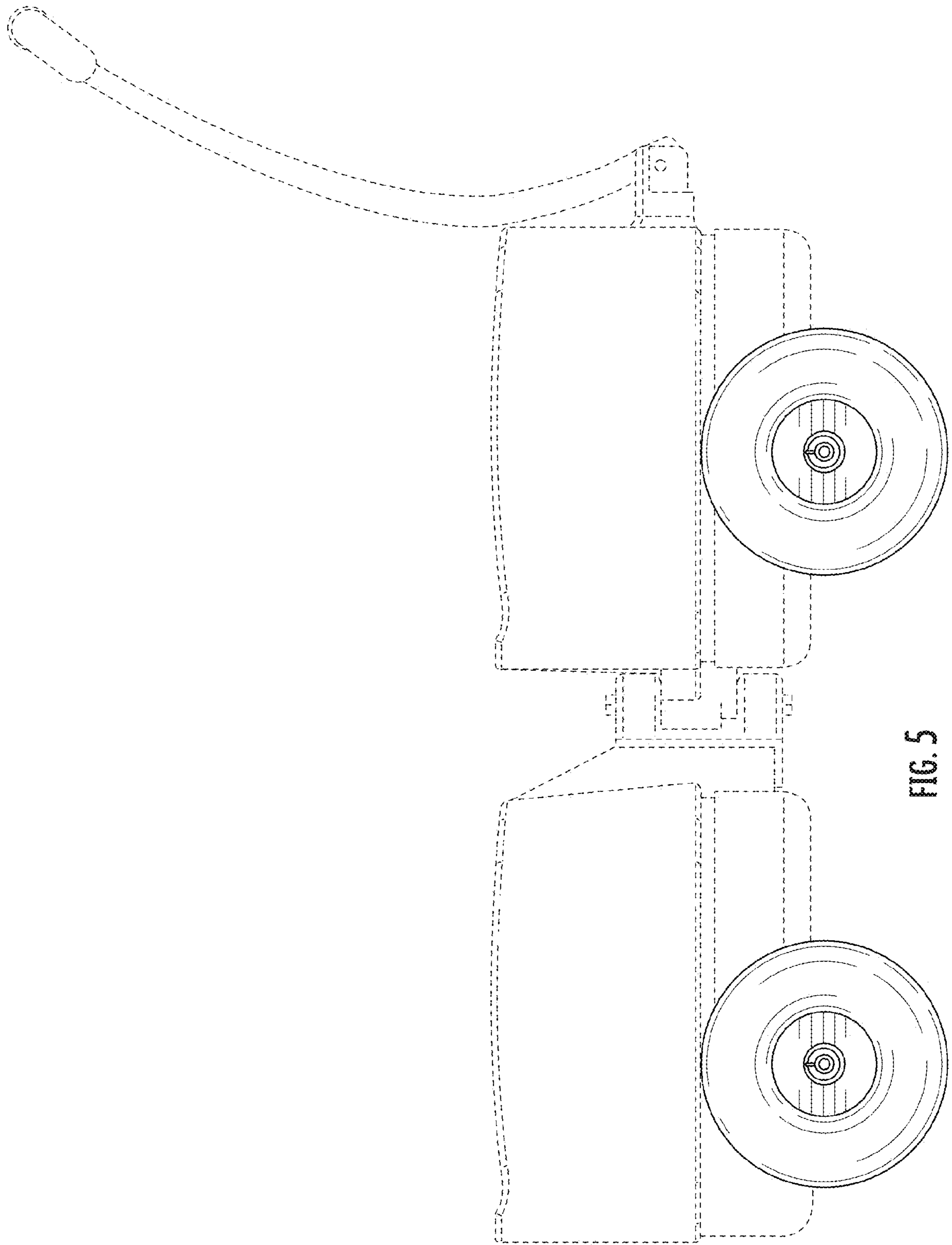


FIG. 5

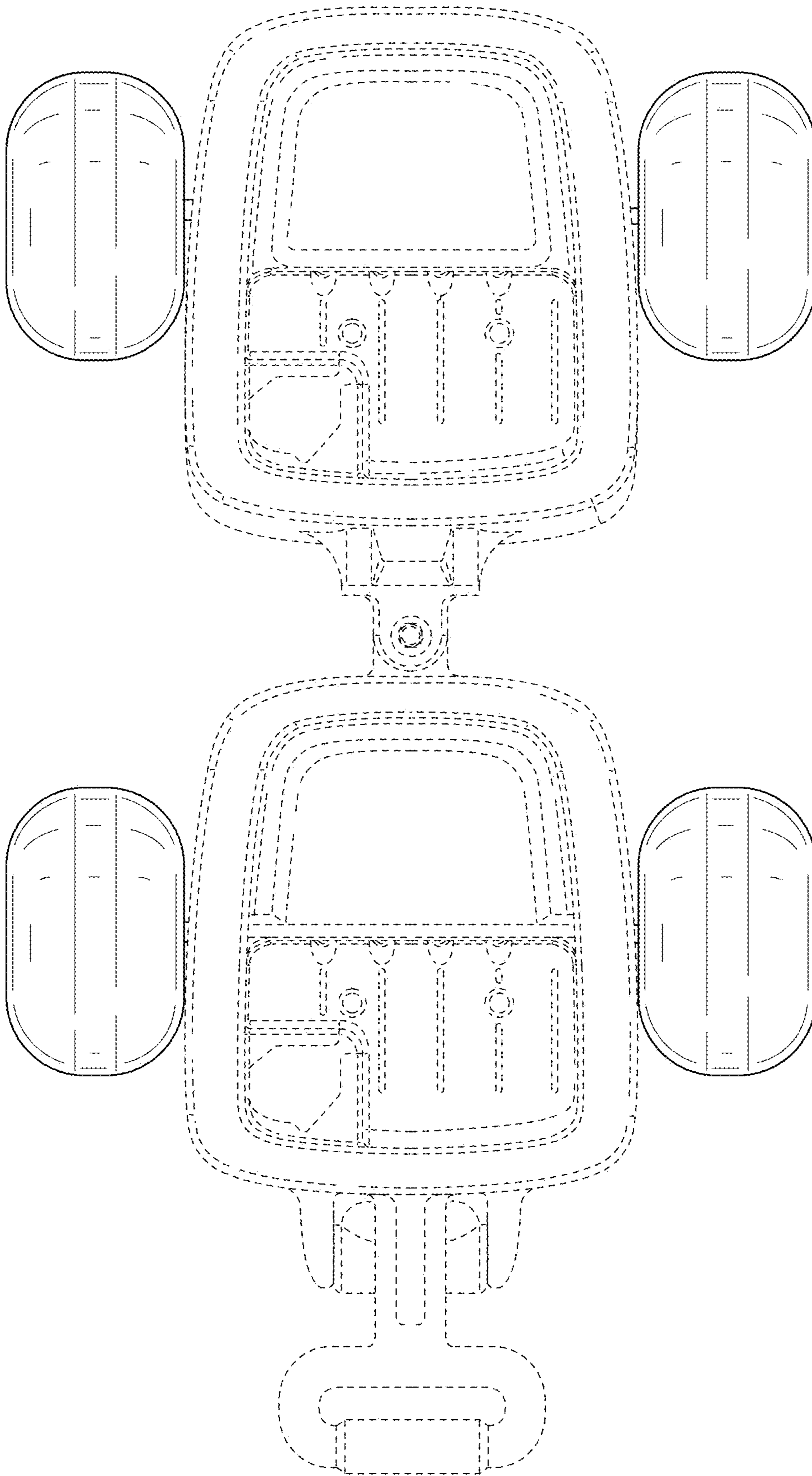


FIG. 6

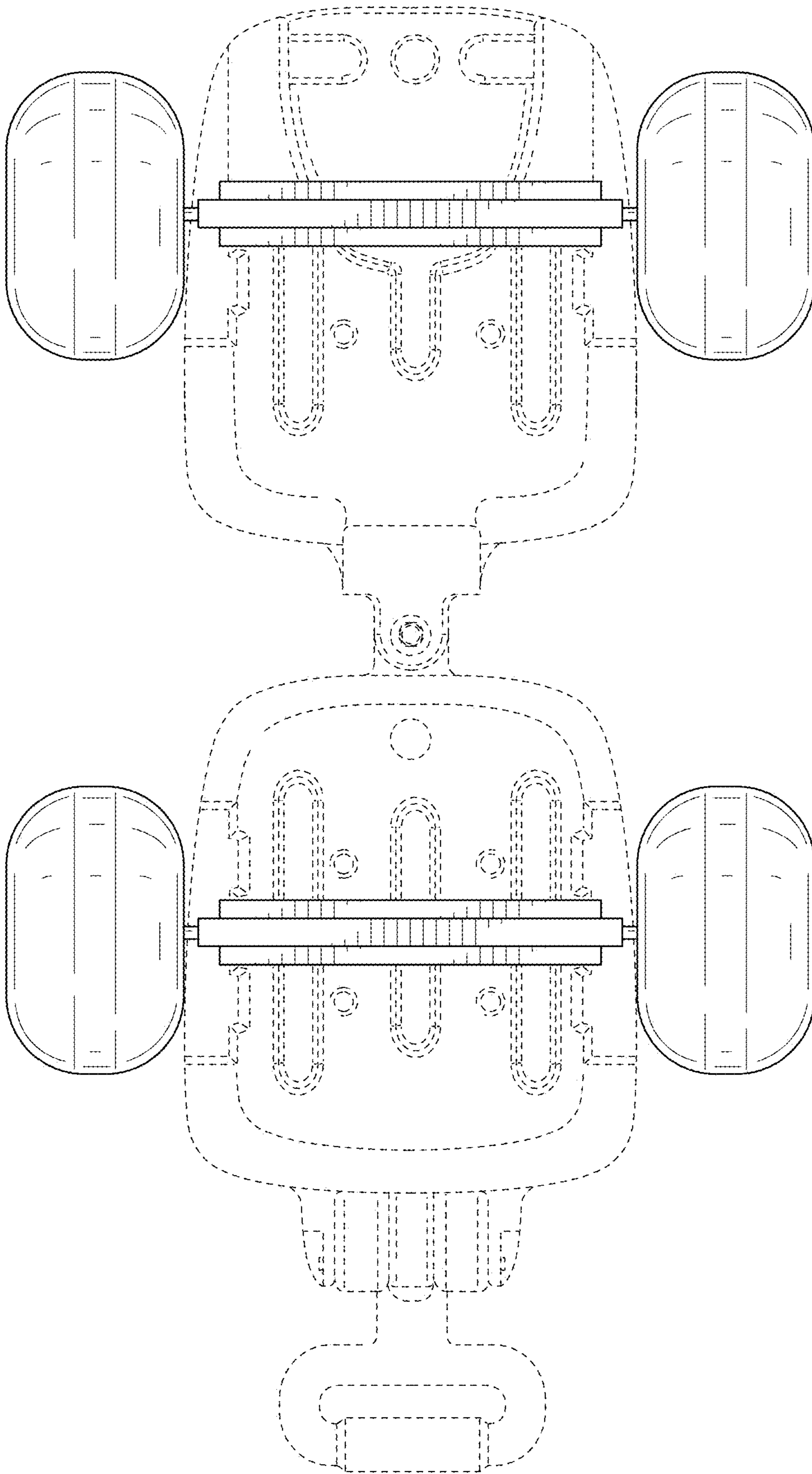


FIG. 7