



US00D955081S

(12) **United States Design Patent** (10) **Patent No.:** **US D955,081 S**  
**Chen** (45) **Date of Patent:** **\*\* Jun. 14, 2022**

(54) **STEP BIN**  
(71) Applicant: **EKO DEVELOPMENT LTD.,**  
Guangzhou (CN)  
(72) Inventor: **Yizhi Chen,** Guangzhou (CN)  
(73) Assignee: **EKO Development Ltd.,** Guangdong  
(CN)  
(\*\*) Term: **15 Years**

D482,169 S 11/2003 Lin  
D488,903 S 4/2004 Yang et al.  
D513,103 S 12/2005 Lin  
D513,445 S 1/2006 Lin  
6,981,606 B2 1/2006 Yang et al.  
D517,767 S 3/2006 Yang et al.  
D525,756 S 7/2006 Yang et al.  
D527,155 S 8/2006 Frankhauser  
D533,703 S 12/2006 Lin  
D535,800 S 1/2007 Yang et al.  
D537,223 S 2/2007 Lin

(Continued)

(21) Appl. No.: **29/751,380**  
(22) Filed: **Sep. 21, 2020**  
(51) **LOC (13) Cl.** ..... **09-09**  
(52) **U.S. Cl.**  
USPC ..... **D34/9**  
(58) **Field of Classification Search**  
USPC ..... D34/1, 7, 8, 9, 10, 11  
CPC ..... B65F 1/163; B65F 1/1438; B65F 1/162;  
B65F 1/1623; B65F 1/004; B65F 1/1473;  
B65F 1/002; B65F 1/04; B65F 1/16;  
B65F 1/1638; B65F 2240/138; B65F  
2230/134  
See application file for complete search history.

**OTHER PUBLICATIONS**

Qubyk.co.uk Feb. 8, 2022, 60l Stainless Steel Sensor Bin Rubbish  
Trash Bins, <https://qubyk.co.uk/nav/home-and-living/kitchen/kitchen-cleaning/product/60l-stainless-steel-sensor-bin-rubbish-trash-bins-motion-automatic-ac-adaptor/92d649c1-3cdc-4c0a-a183-f488edc933f7> (Year: 2022).\*

(Continued)

*Primary Examiner* — Cynthia Ramirez  
(74) *Attorney, Agent, or Firm* — William H. Dippert;  
Laurence A. Greenberg; Werner H. Stemer

(57) **CLAIM**

The ornamental design for a step bin, as shown and described.

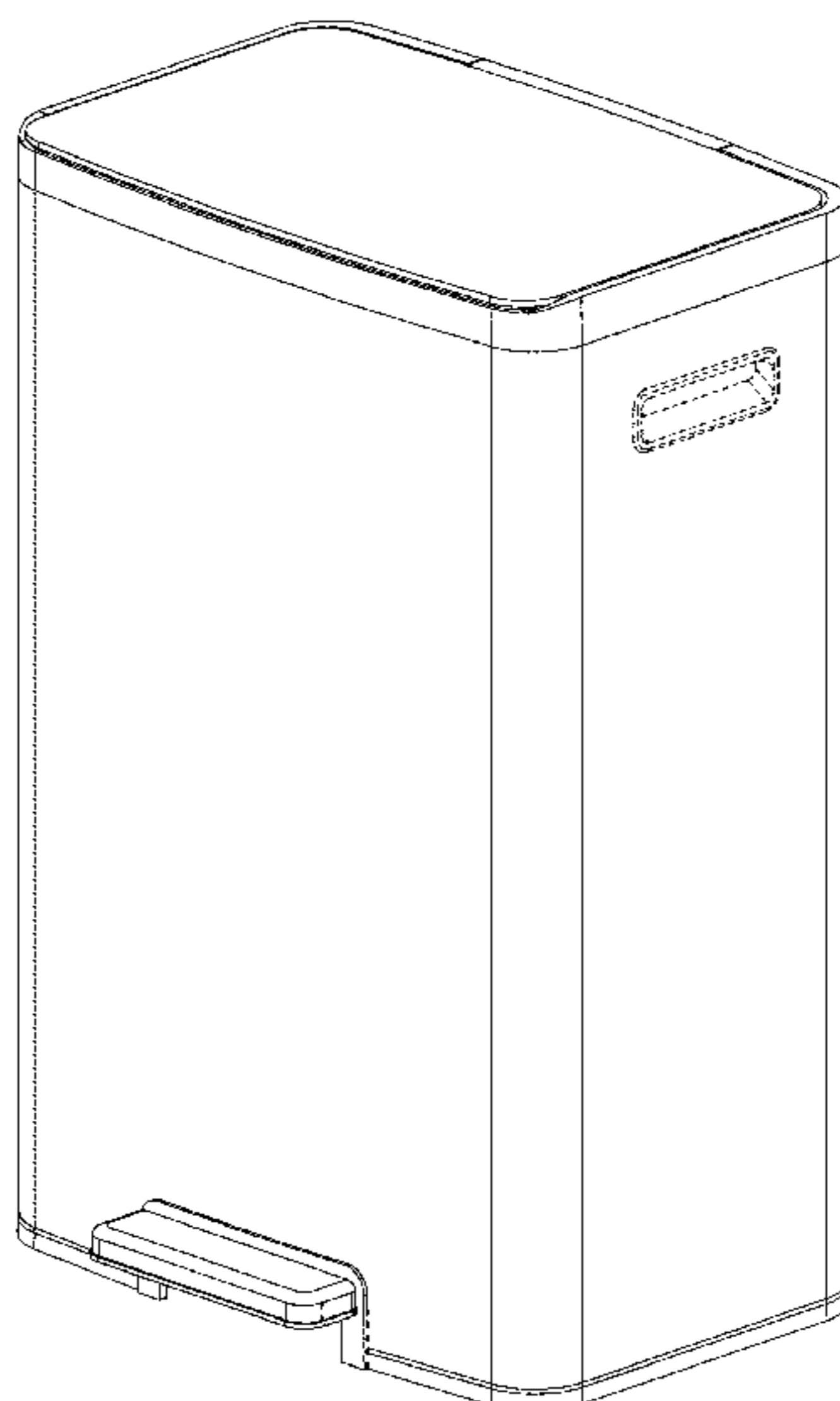
**DESCRIPTION**

FIG. 1 is a perspective view of a step bin, showing my new design.  
FIG. 2 is a top plan view thereof.  
FIG. 3 is a rear elevation view thereof.  
FIG. 4 is a right-side elevation view thereof.  
FIG. 5 is a front elevation view thereof.  
FIG. 6 is a bottom plan view thereof; and,  
FIG. 7 is a left-side elevation view thereof.  
The broken lines in the drawings represent portions of the step bin that form no part of the claimed design.

**1 Claim, 7 Drawing Sheets**

(56) **References Cited**  
U.S. PATENT DOCUMENTS

D215,617 S 10/1969 Heck  
D246,090 S 10/1977 Gault  
D250,744 S 1/1979 Morin  
D333,542 S 2/1993 McKenzie  
D335,562 S 5/1993 Evans  
5,242,074 A 9/1993 Conaway et al.  
D342,817 S 12/1993 Lippisch et al.  
D343,709 S 1/1994 Doty et al.  
5,531,348 A 7/1996 Baker et al.  
D380,613 S 7/1997 Apps et al.  
D437,384 S 2/2001 Fletcher et al.  
6,345,725 B1 2/2002 Lin  
D472,357 S 3/2003 Stewart  
D472,688 S 4/2003 Lin



(56)

References Cited

U.S. PATENT DOCUMENTS

D537,599 S 2/2007 Lin  
 D537,601 S 2/2007 Lin  
 D538,000 S 3/2007 Lin  
 D540,501 S 4/2007 Wang  
 D543,673 S 5/2007 Yang et al.  
 D544,671 S 6/2007 Saunders et al.  
 D547,917 S 7/2007 Yang et al.  
 D552,321 S 10/2007 Yang et al.  
 D555,318 S 11/2007 Lin  
 D555,320 S 11/2007 Yang et al.  
 D561,969 S 2/2008 Lin  
 D561,971 S 2/2008 Lin  
 D566,367 S 4/2008 Lin  
 D566,923 S 4/2008 Lin  
 D567,468 S 4/2008 Yang et al.  
 D568,570 S 5/2008 Lin  
 D568,571 S 5/2008 Lin  
 D571,520 S 6/2008 Lin  
 D572,423 S 7/2008 Lin  
 D580,120 S 11/2008 Lin  
 D580,613 S 11/2008 Yang et al.  
 D580,615 S 11/2008 Yang et al.  
 D591,471 S 4/2009 Lee  
 D593,271 S 5/2009 Yang et al.  
 D593,796 S 6/2009 Kevan  
 D595,917 S 7/2009 Liao  
 7,559,433 B2 7/2009 Yang et al.  
 D620,667 S 7/2010 Liao  
 D620,668 S 7/2010 Liao  
 D627,533 S 11/2010 Yang et al.  
 D629,579 S 12/2010 Lin  
 D631,221 S 1/2011 Yang et al.  
 D634,911 S 3/2011 Yang et al.  
 D644,390 S 8/2011 Smeets et al.  
 D644,806 S 9/2011 Yang et al.  
 8,074,824 B1 12/2011 Roby-Wilson  
 8,074,833 B2 12/2011 Yang et al.  
 D655,061 S 2/2012 Scaturro  
 D657,108 S 4/2012 Yang et al.  
 D657,109 S 4/2012 Liao  
 D675,802 S 2/2013 Yang et al.  
 D675,803 S 2/2013 Yang et al.  
 D709,662 S 7/2014 Yang et al.  
 8,820,566 B2 9/2014 Ude  
 D716,015 S 10/2014 van de Leest  
 D719,313 S 12/2014 Kao  
 D720,513 S 12/2014 Yang et al.  
 D725,861 S 3/2015 Yang et al.  
 D727,583 S 4/2015 Yang et al.  
 D730,007 S 5/2015 Machen  
 D730,008 S 5/2015 Yang et al.  
 D734,912 S 7/2015 Ho et al.  
 D739,109 S 9/2015 Becham et al.  
 D743,138 S 11/2015 Sun Ting Kung et al.  
 D754,413 S 4/2016 Wall  
 D759,934 S 6/2016 Yang et al.  
 D762,037 S 7/2016 Chen  
 D765,937 S 9/2016 Chen  
 D769,564 S 10/2016 Chen  
 D771,344 S 11/2016 Yang et al.  
 D773,145 S 11/2016 Yang et al.  
 D773,769 S 12/2016 Chen  
 D787,828 S 5/2017 Thoma et al.  
 D790,145 S 6/2017 Chen  
 D793,022 S 7/2017 Liao  
 D793,642 S 8/2017 Yang et al.  
 D796,766 S 9/2017 Chen  
 D796,767 S 9/2017 Chen  
 D798,016 S 9/2017 Yang et al.  
 D804,133 S 11/2017 Yang et al.  
 D809,729 S 2/2018 Chen  
 D813,485 S 3/2018 Liao  
 D827,968 S 9/2018 Chen  
 D829,400 S 9/2018 Yang et al.  
 D830,029 S 10/2018 Greenspon et al.

D830,659 S 10/2018 Greenspon et al.  
 D831,289 S 10/2018 Greenspon et al.  
 D835,374 S 12/2018 Yang et al.  
 D836,278 S 12/2018 Berberet et al.  
 D837,473 S 1/2019 Magnuson et al.  
 D841,275 S 2/2019 Chen  
 D842,573 S 3/2019 Smeets  
 D845,576 S 4/2019 Lu  
 D851,350 S 6/2019 Lu  
 D853,064 S 7/2019 Chen  
 D853,066 S 7/2019 Liao  
 D853,067 S 7/2019 Chen  
 D853,068 S 7/2019 Chen  
 D855,919 S 8/2019 Yang et al.  
 D860,570 S 9/2019 Chen  
 D871,012 S 12/2019 Chen  
 D871,707 S \* 12/2019 Chen ..... B65F 1/08  
 D872,959 S \* 1/2020 Chen ..... D34/7  
 D872,960 S \* 1/2020 Chen ..... D34/7  
 D876,040 S \* 2/2020 Chen ..... D34/9  
 D886,402 S \* 6/2020 Chen ..... D34/9  
 D903,217 S \* 11/2020 Smeets ..... D34/7  
 D906,620 S \* 12/2020 Tan ..... D34/8  
 D909,002 S \* 1/2021 Chang ..... D34/9  
 D915,713 S \* 4/2021 Chen ..... B65F 1/1638  
 D942,106 S \* 1/2022 Liao ..... D34/9  
 2003/0201267 A1 10/2003 Yang et al.  
 2005/0230397 A1 10/2005 Yang et al.  
 2007/0090112 A1 4/2007 Kalman et al.  
 2007/0205195 A1 9/2007 Yang et al.  
 2008/0006638 A1 1/2008 Yang et al.  
 2009/0314779 A1 12/2009 Lee  
 2011/0017735 A1 1/2011 Wang et al.  
 2011/0049149 A1 3/2011 Shih  
 2011/0139781 A1 6/2011 Jin et al.  
 2011/0220648 A1 \* 9/2011 Yang ..... B65F 1/1638  
 2013/0098913 A1 4/2013 Yang et al.  
 2013/0105486 A1 5/2013 Mashburn et al.  
 2013/0213965 A1 \* 8/2013 Shek ..... B65F 1/1638  
 2013/0233853 A1 \* 9/2013 Yang ..... B65F 1/02  
 2014/0238989 A1 8/2014 Wang et al.  
 2019/0152696 A1 \* 5/2019 Wegner ..... B65F 1/08

OTHER PUBLICATIONS

The Home Depot.com Feb. 8, 2022, CozyBlock 13 Gal. Automatic Trash Can for Kitchen, <https://www.homedepot.com/p/eModernDecor-CozyBlock-13-Gal-Automatic-Trash-Can-for-Kitchen-Black-Steel-Touchless-Operation-Motion-Sensor-Bin-HN-ZS02-13-BLK/317492097> (Year: 2022).\*

At home.com Feb. 8, 2022, 68 L Square Sensor Bin Stainless Steel, <https://www.athome.com/68l-square-sensor-bin-stainless-steel/124319758.html> (Year: 2022).\*

Walmart.com Feb. 8, 2022, Better Homes & Garden 13.7 gal touchless dual sensor garbage can, <https://www.walmart.com/ip/Better-Homes-Gardens-13-7-gal-Touchless-Dual-Sensor-Kitchen-Garbage-Can-with-Stay-Open-Lid-Black/968281256> (Year: 2022).\*

Belson Outdoors “Durable Two-Piece Fiberglass Trash Receptacle”, <http://www.belson.com/Open-Top-Lift-Off-20-Gallon-Round-Fiberglass-Trash-Can>. Jun. 6, 2017. shown in p. 1, Model FG1829 TPL.

Amazon “Simplehuman Bullet Open Trash Can”, [https://www.amazon.com/simplehuman-Bullet-Trash-Commercial-Stainless/dp/B000BHUHP0/ref=cm\\_cr\\_ar\\_p\\_d\\_product\\_top?ie=UTF8](https://www.amazon.com/simplehuman-Bullet-Trash-Commercial-Stainless/dp/B000BHUHP0/ref=cm_cr_ar_p_d_product_top?ie=UTF8). Apr. 17, 2008. shown in p. 1, Model No. CW1407.

Target: “Sensor bin (751)”, [https://www.target.com/s/sensor%20bin?ref=tgtadvXS000000&AFID=msn&CPNG=Storage%2BOrganization\\_Bins&adgroup=Bin\\_Sensor&LID=700000001177161p8648795059&LNM=sensoi:+bin&MT=e](https://www.target.com/s/sensor%20bin?ref=tgtadvXS000000&AFID=msn&CPNG=Storage%2BOrganization_Bins&adgroup=Bin_Sensor&LID=700000001177161p8648795059&LNM=sensoi:+bin&MT=e)

(56)

**References Cited**

OTHER PUBLICATIONS

&network=s&device=c&q uerystri ng=sensor+bins&fydsrc=tgtao  
&mscl k i d=82d5acc2fal fld130feef.

Amazon: "Trash bin sensor", <https://www.amazon.com/trash-bin-sensor/s?k=trash+bin+sensor>.

\* cited by examiner

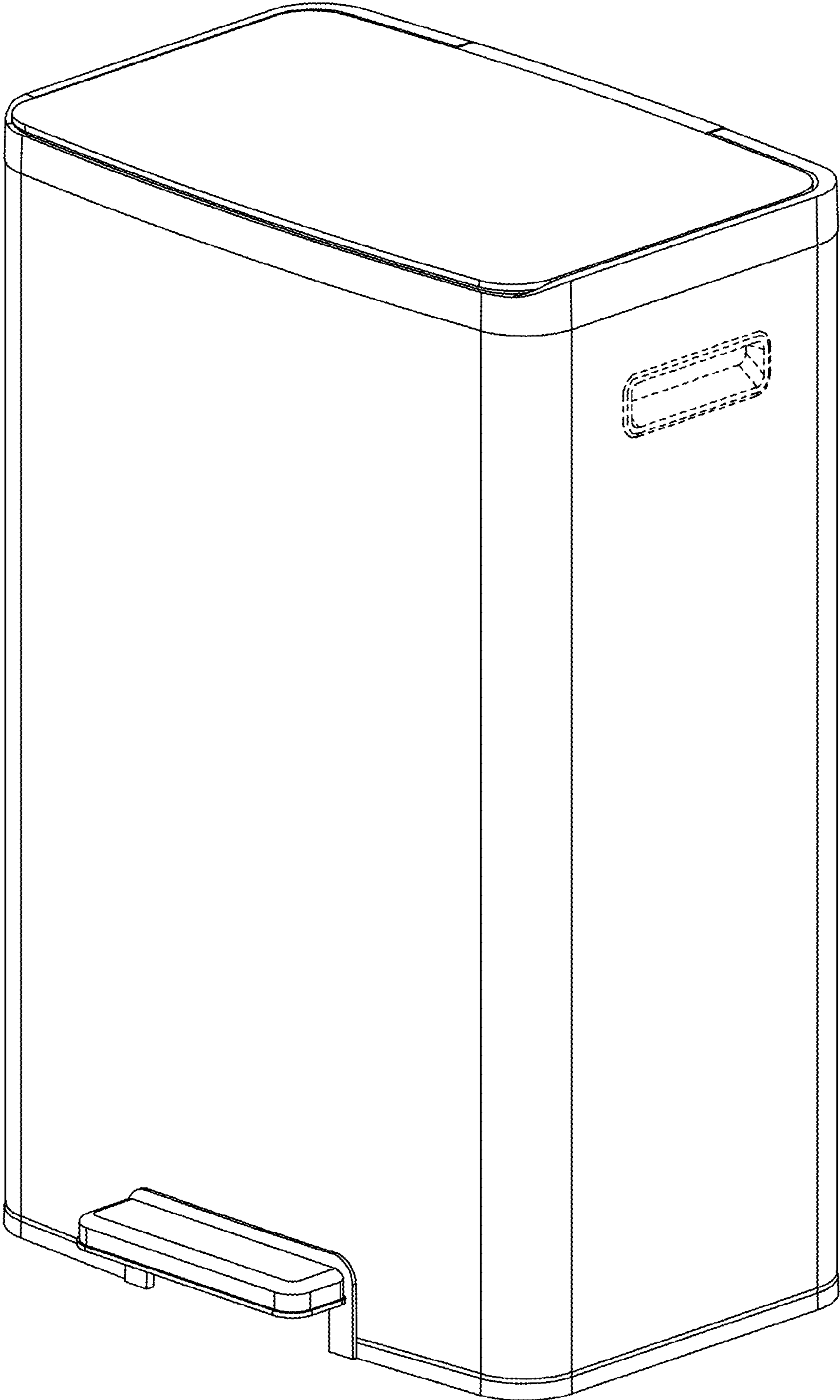


FIG. 1

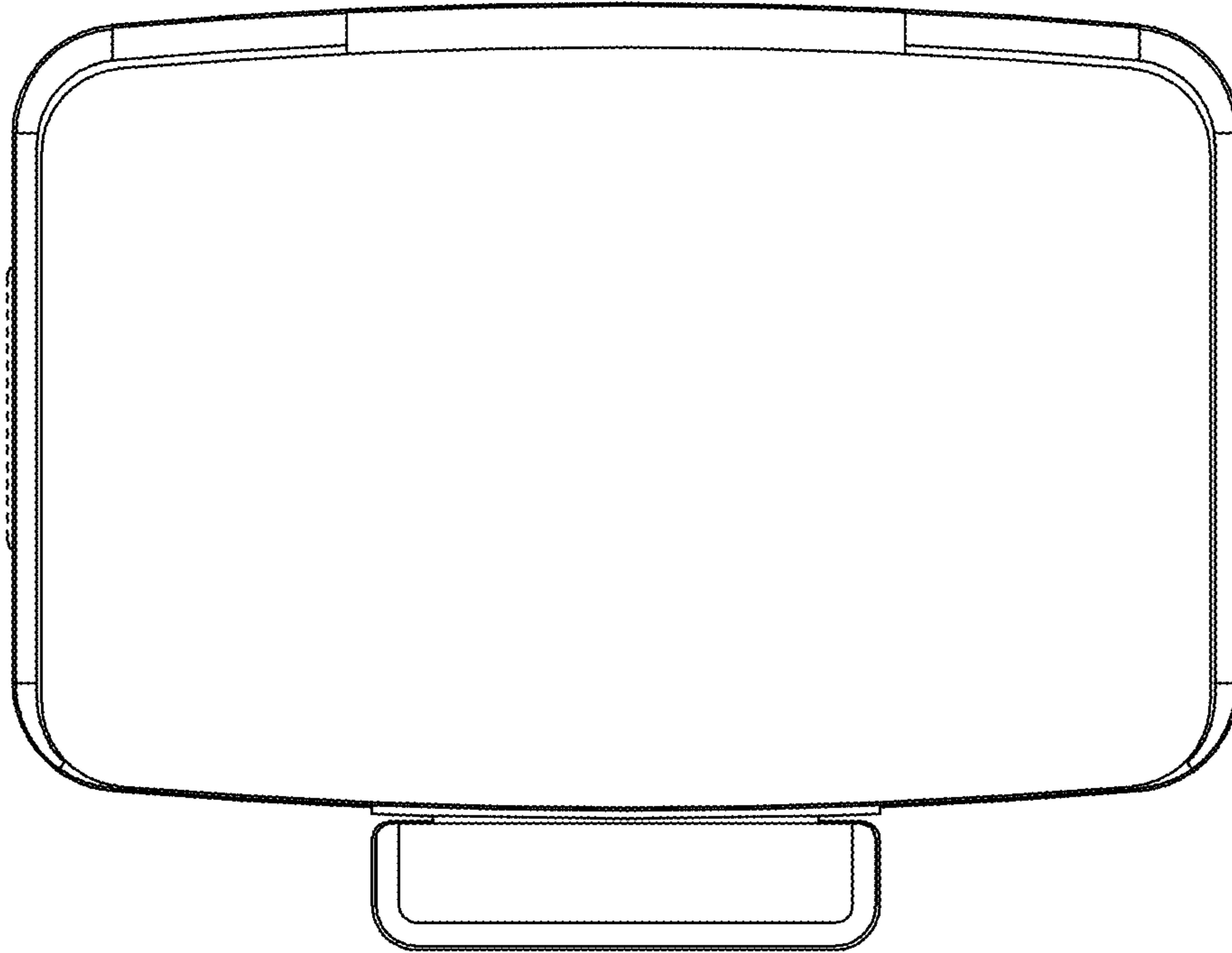


FIG. 2

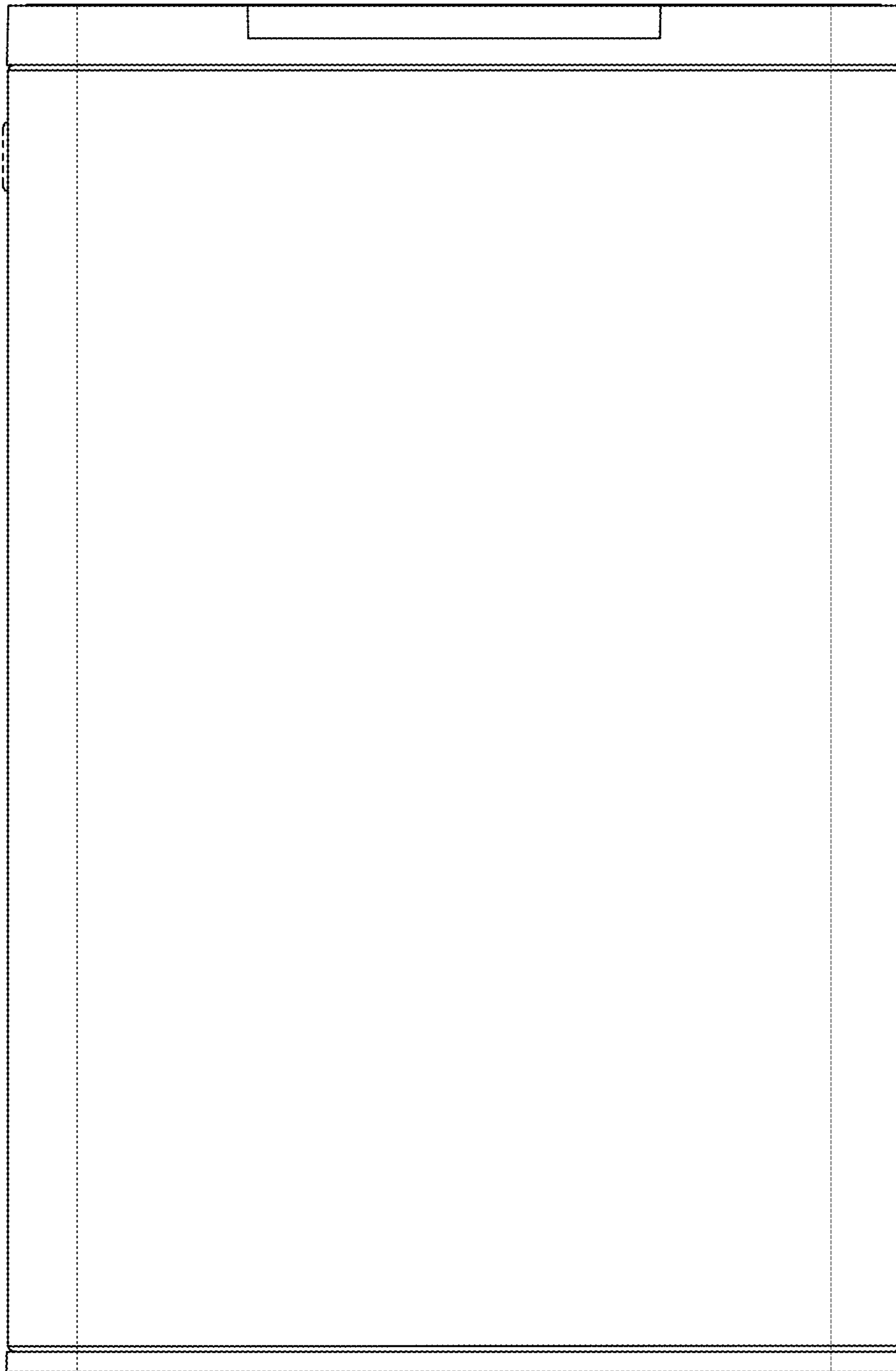


FIG. 3

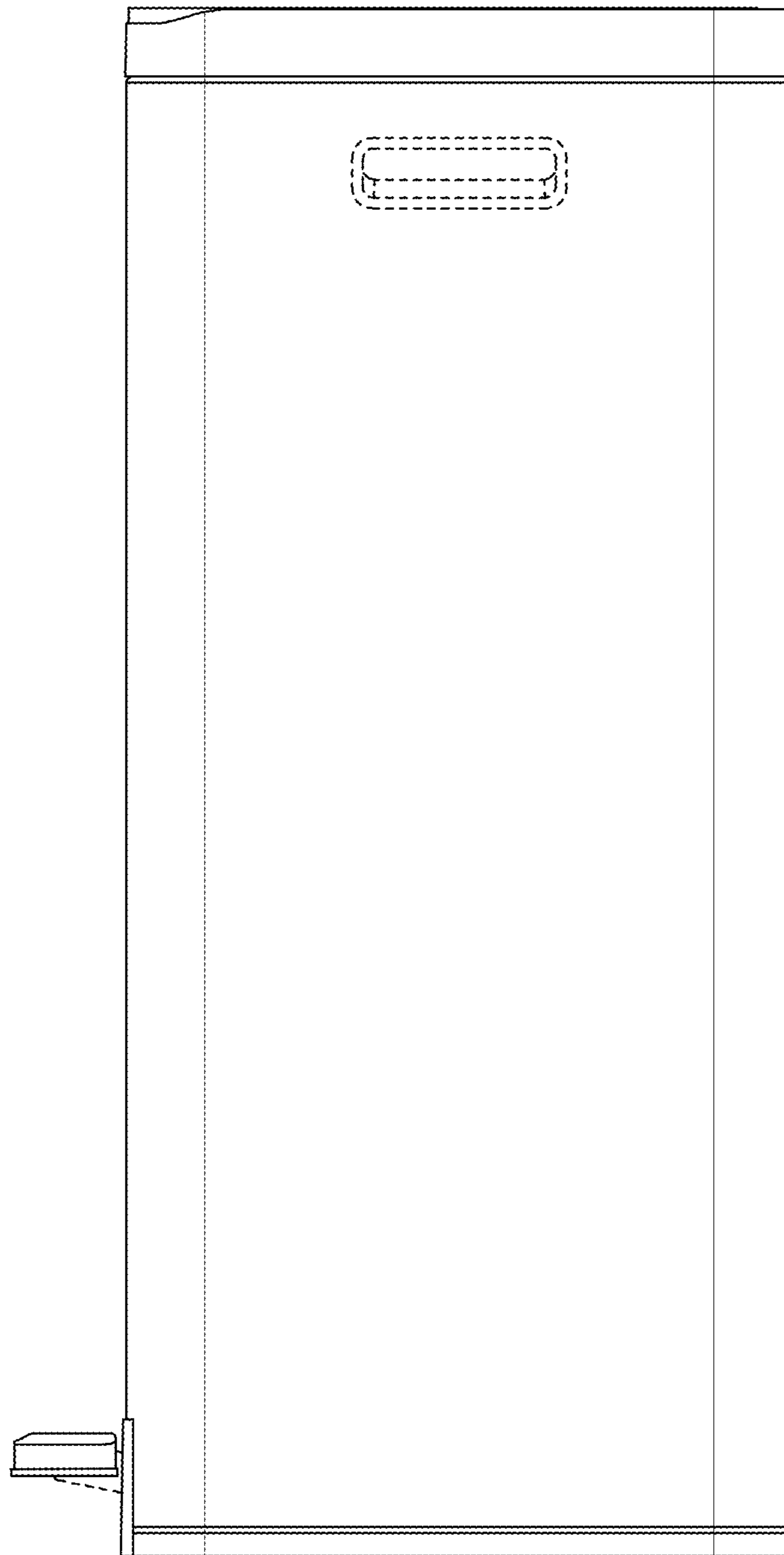


FIG. 4

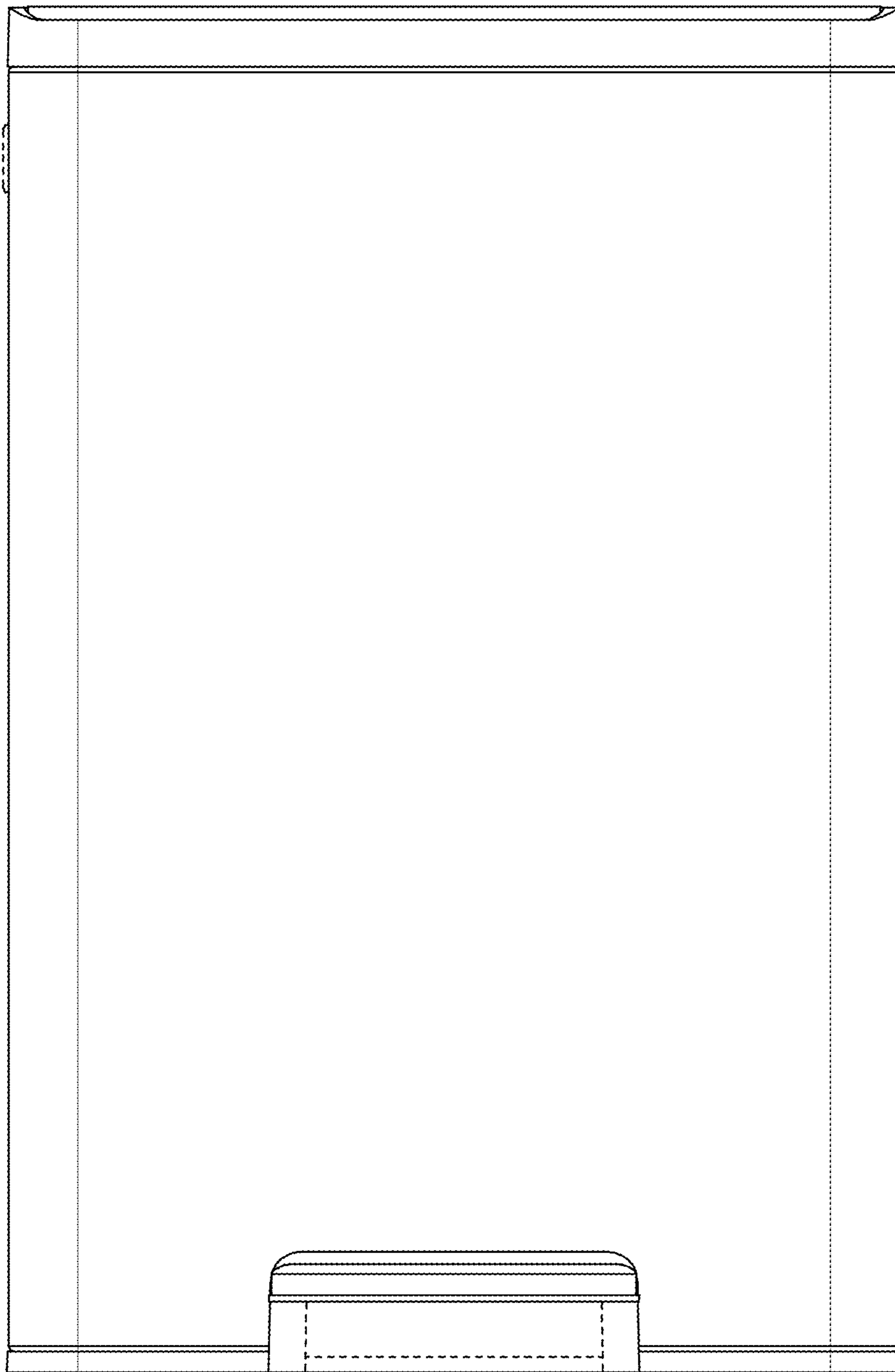


FIG. 5



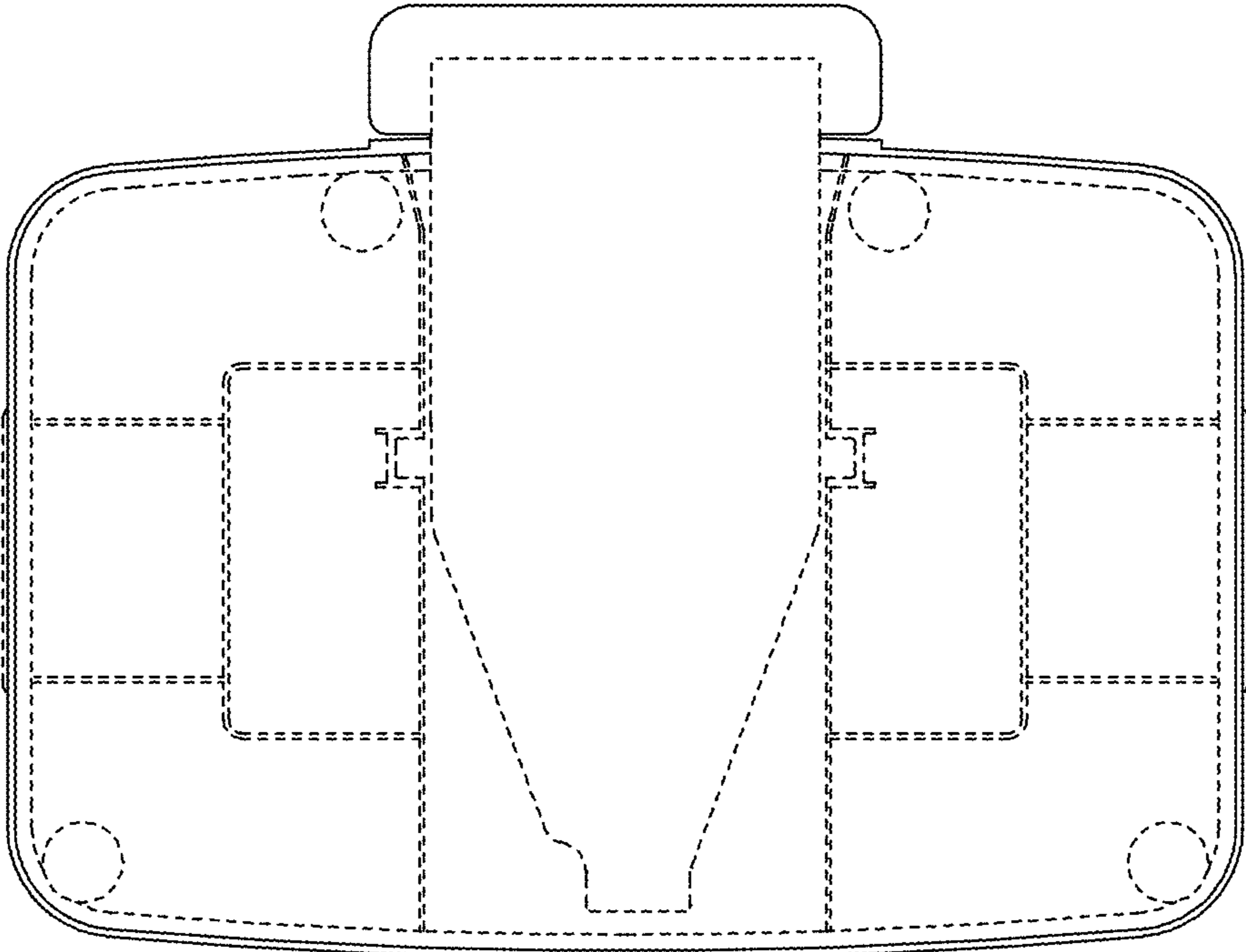


FIG. 6

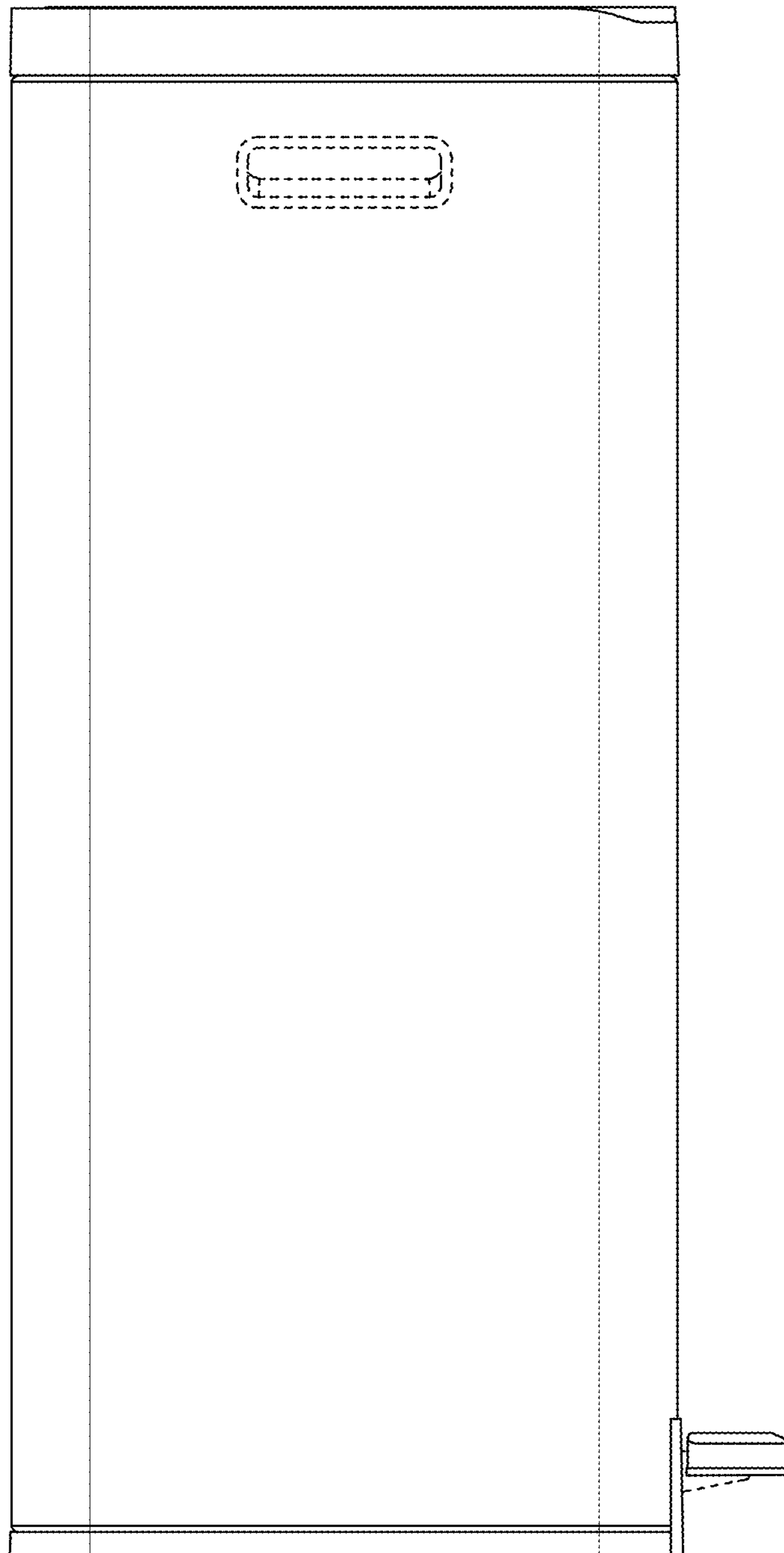


FIG. 7