



US00D955080S

(12) **United States Design Patent** (10) **Patent No.:** **US D955,080 S**
Guo (45) **Date of Patent:** **** Jun. 14, 2022**

(54) **COMPACT HEAT PRESS**

OTHER PUBLICATIONS

(71) Applicant: **Aiping Guo**, Shenzhen (CN)

(72) Inventor: **Aiping Guo**, Shenzhen (CN)

(**) Term: **15 Years**

(21) Appl. No.: **29/787,572**

(22) Filed: **Jun. 7, 2021**

(51) **LOC (13) Cl.** **07-05**

(52) **U.S. Cl.**
USPC **D32/70; D15/122**

(58) **Field of Classification Search**
USPC D15/122, 123, 144, 145, 146; D32/70
CPC B30B 15/287; B30B 15/18; B30B 15/048;
B30B 15/064; B30B 15/0094; B30B 1/04;
B32B 2309/02; B32B 37/06; B32B
37/0053; B41F 16/00; B41F 16/02

See application file for complete search history.

Cricut EasyPress; posted on amazon.com; first available Sep. 6, 2019; no production date given; online; site visited Feb. 22, 2022; available from internet; URL: https://www.amazon.com/Cricut-Easy-Press-Mini-Raspberry/dp/B07VKPZS24/ref=sr_1_1_sspa?keywords=cricut+easypress+mini&qid=1645570563&sr (Year: 2019).
PowerPress; posted on amazon.com; first available Aug. 6, 2021; no production date given; online; site visited Feb. 22, 2022; available from internet; URL: https://www.amazon.com/dp/B096ZL76JP/ref=sspa_dk_detail_1?psc=1&pd_rd_i=B096ZL76JP&pd_rd_w=vQnkm&pf_rd_p=57cbdc41-b731-4e3d-aca7-49078b13a07b&p (Year: 2021).*

* cited by examiner

Primary Examiner — Michael C Stout
Assistant Examiner — Fritzgerald L Butac

(57) **CLAIM**

The ornamental design for a compact heat press, as shown and described.

DESCRIPTION

(56) **References Cited**

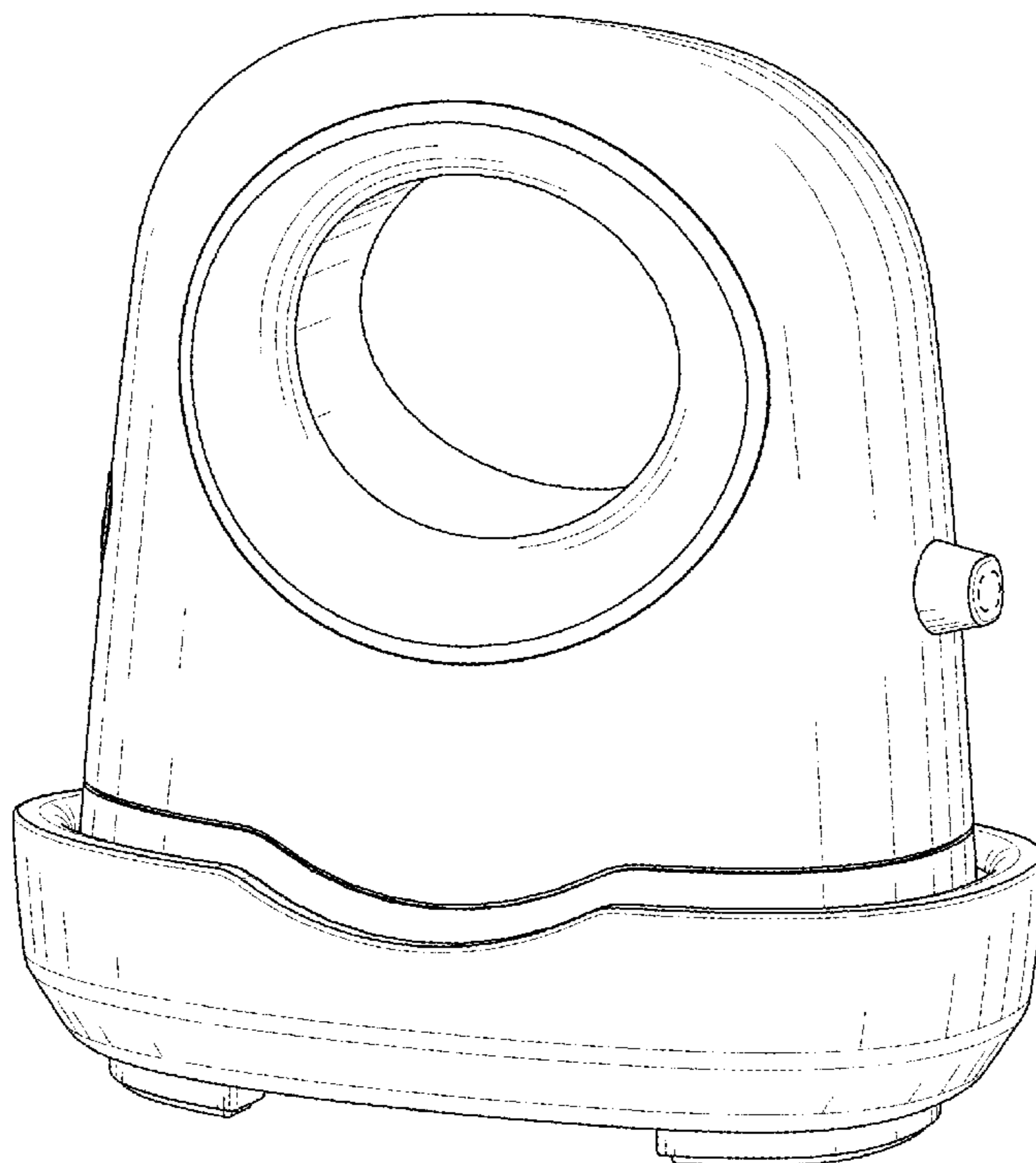
U.S. PATENT DOCUMENTS

D893,563 S	*	8/2020	Crisp	D15/122
D893,566 S		8/2020	Chen		
D910,724 S		2/2021	Chen et al.		
D925,621 S	*	7/2021	Crisp	D32/70
D925,854 S	*	7/2021	Ai	D32/70
D926,237 S	*	7/2021	Chen	D32/70
D926,850 S	*	8/2021	Galkin	D15/122
D927,577 S	*	8/2021	Galkin	D15/122
D935,493 S	*	11/2021	Cheng	D14/146
D935,494 S	*	11/2021	Chen	D32/70

FIG. 1 is a perspective view of a compact heat press showing my new design;
FIG. 2 is a front view thereof;
FIG. 3 is a rear view thereof;
FIG. 4 is a left side view thereof;
FIG. 5 is a right side view thereof;
FIG. 6 is a top plan view thereof; and,
FIG. 7 is a bottom plan view thereof.

The broken lines in the figures illustrate portions of the compact heat press that form no part of the claimed design.

1 Claim, 7 Drawing Sheets



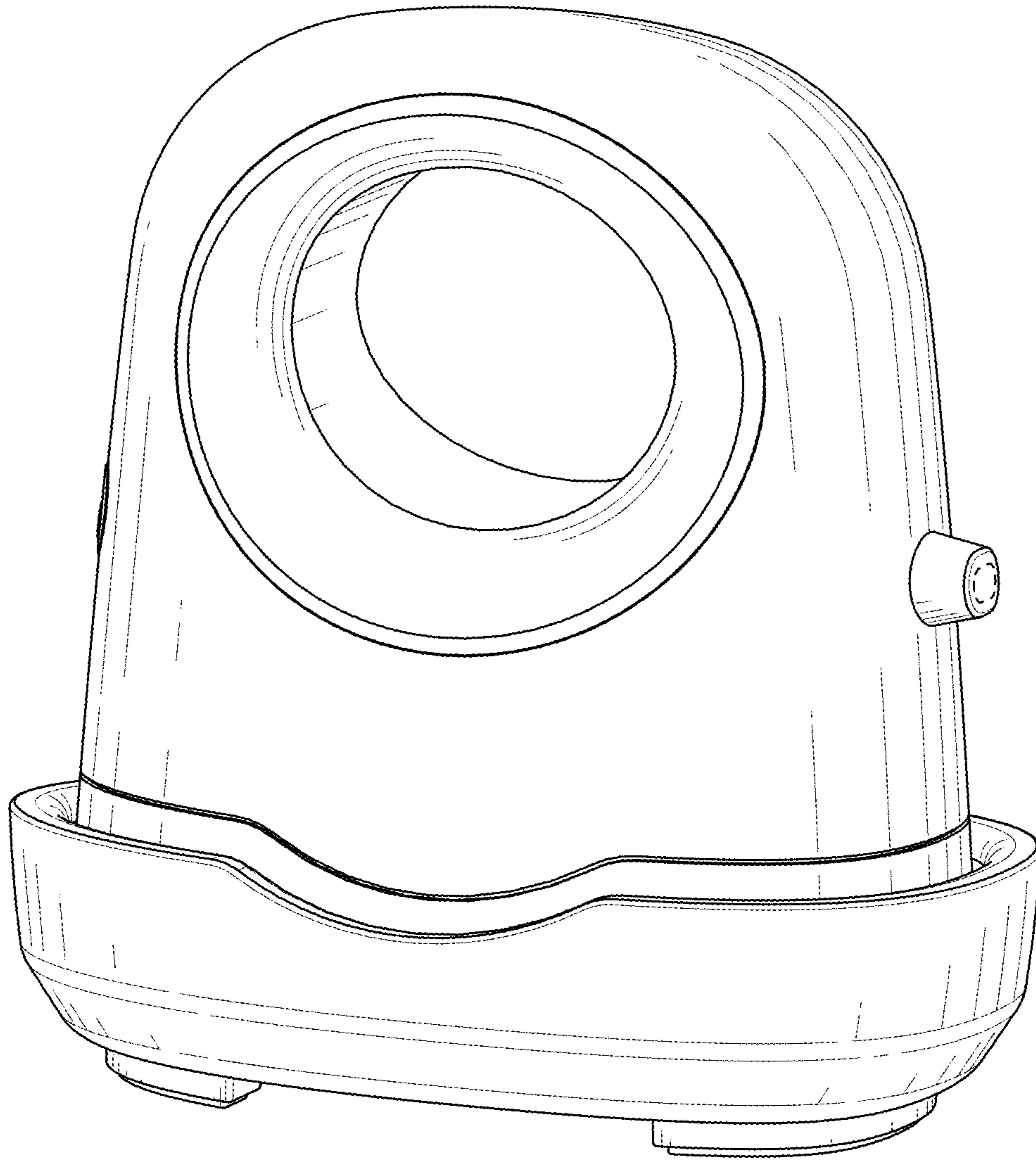


FIG. 1

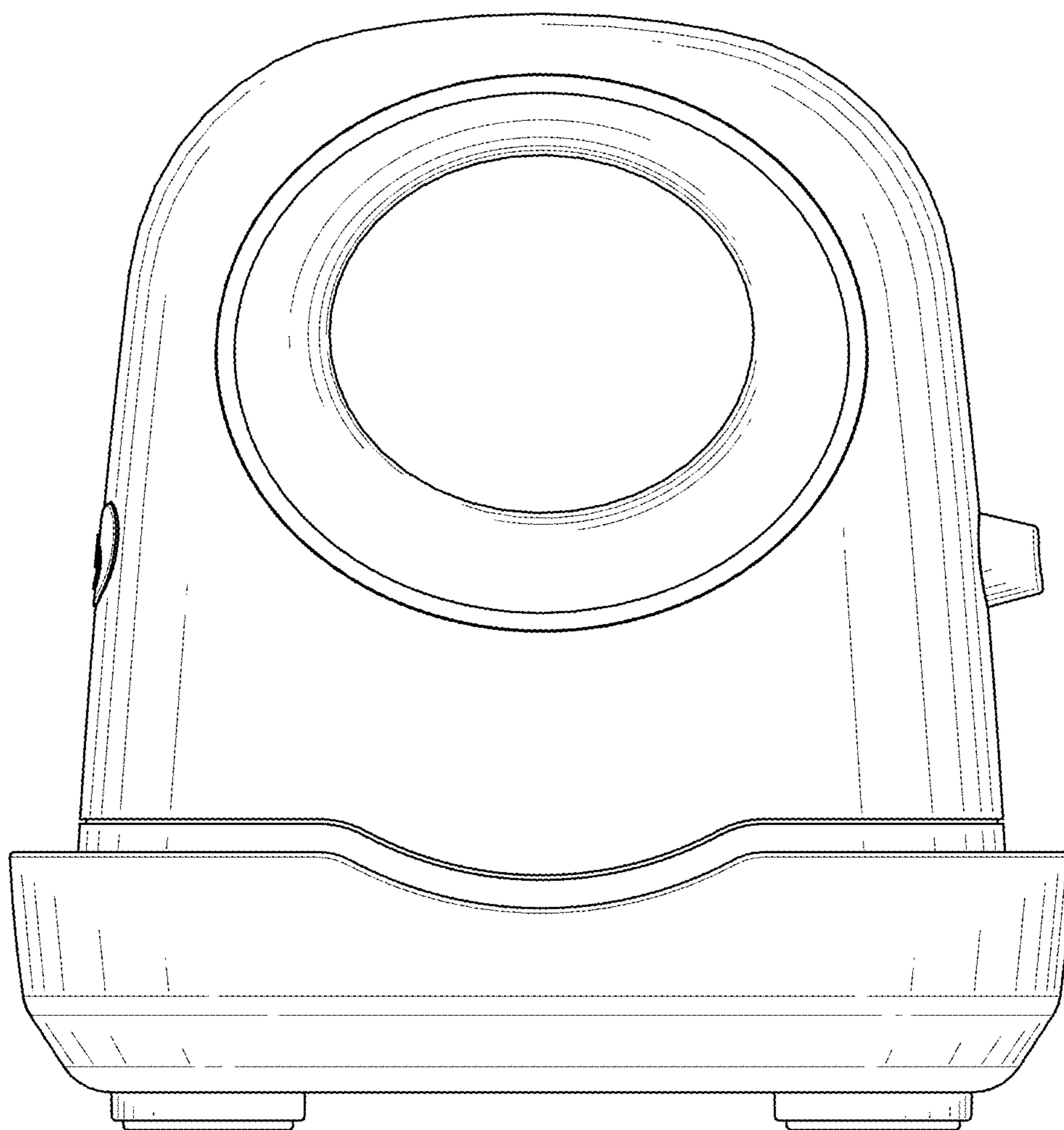


FIG. 2

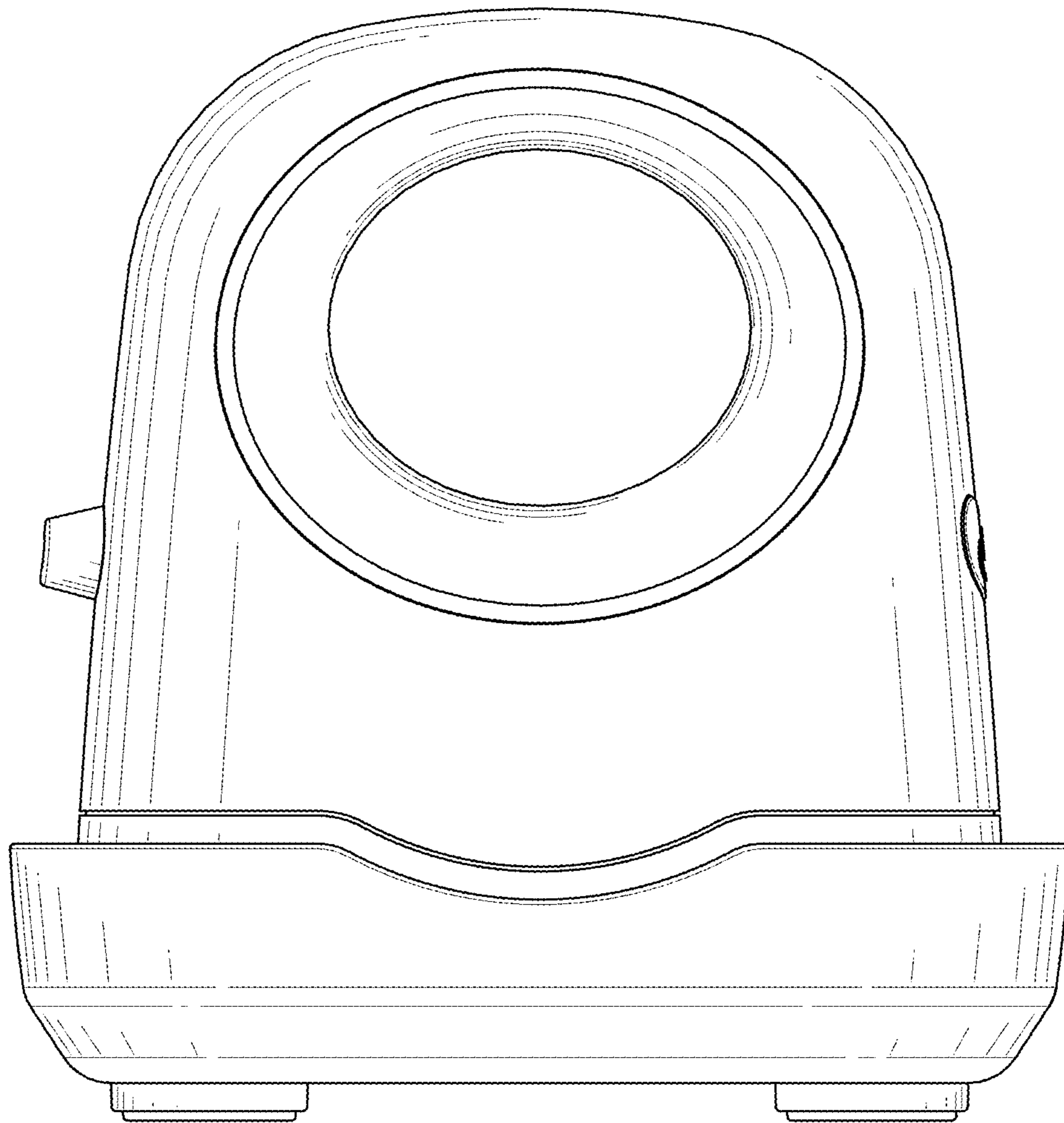


FIG. 3

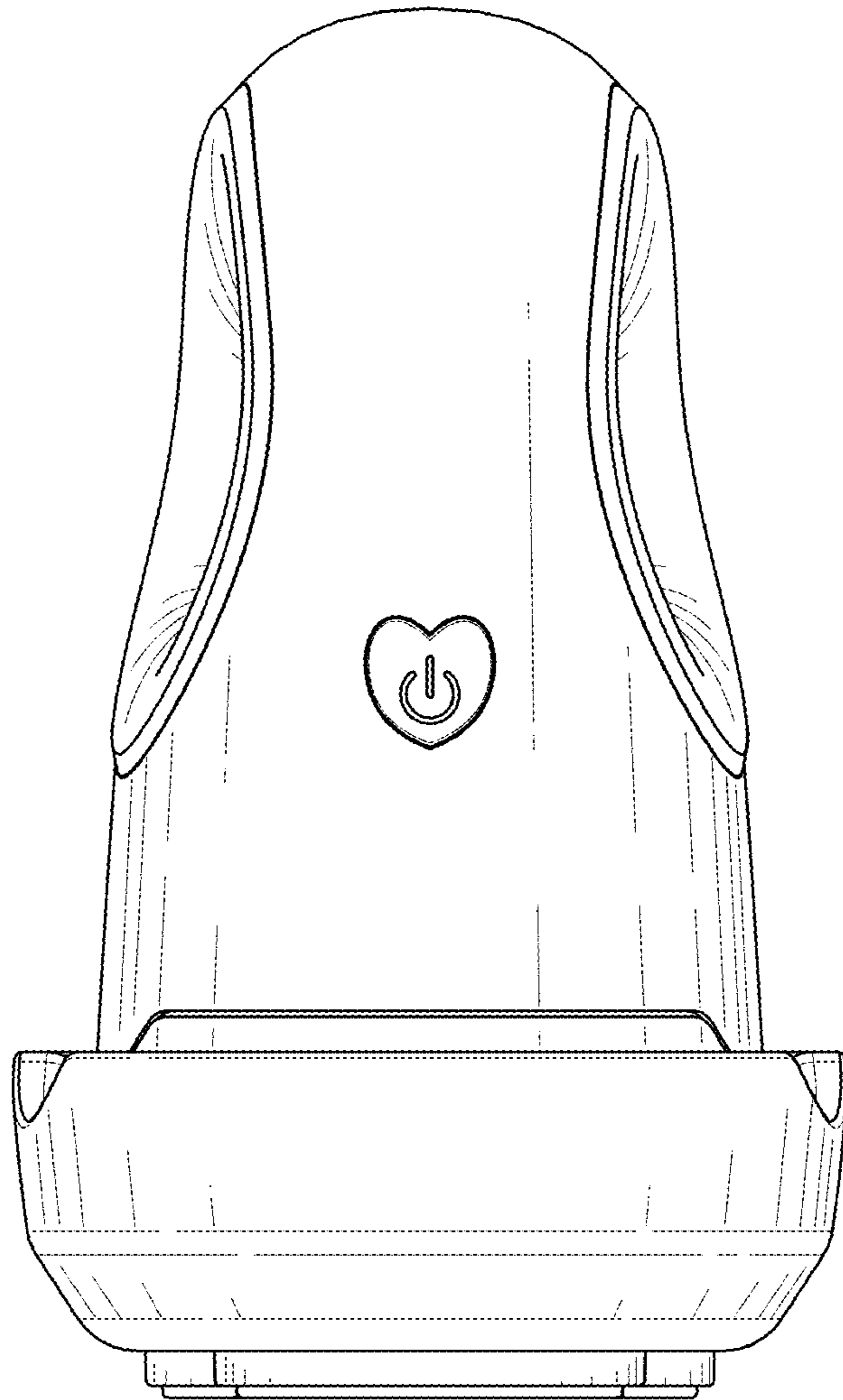


FIG. 4

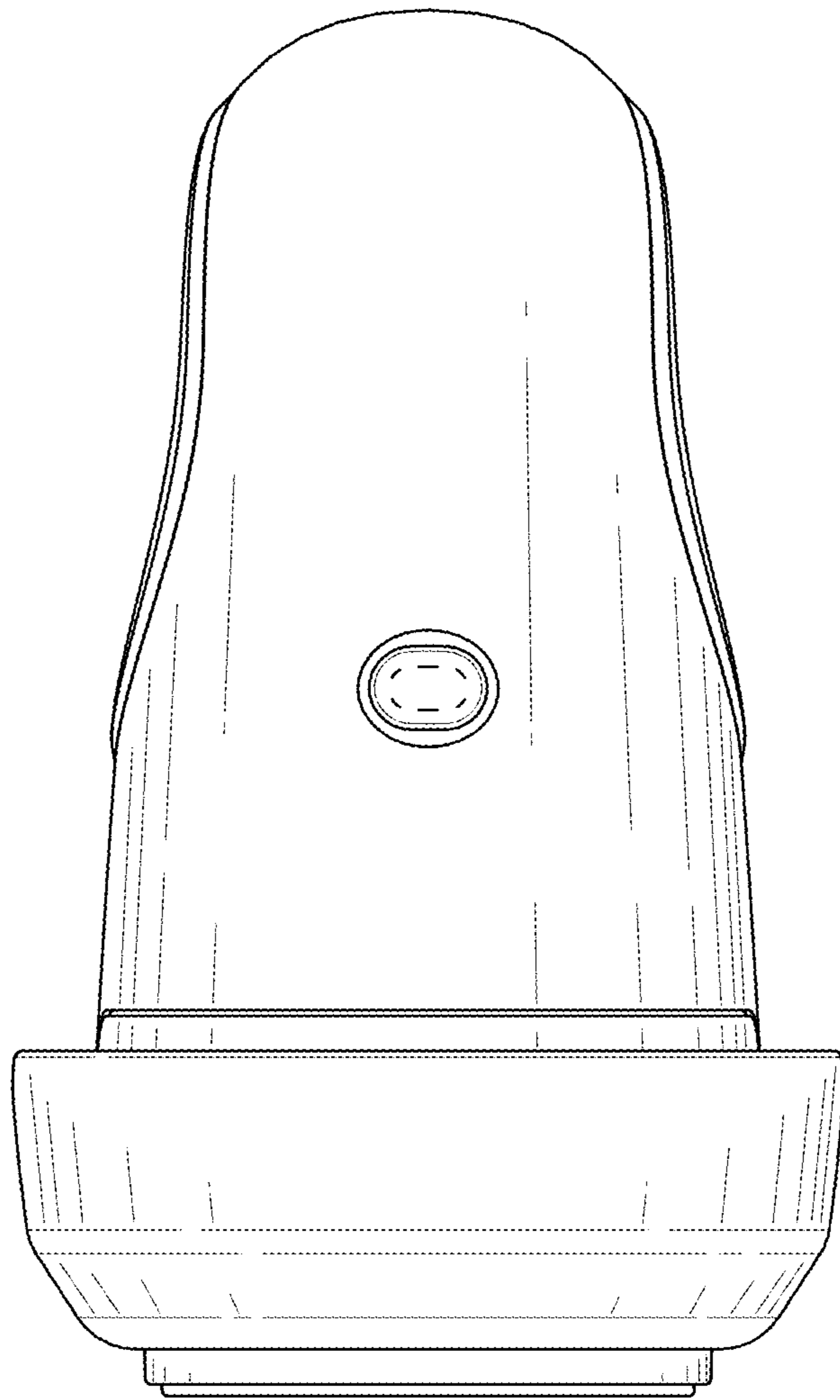


FIG. 5

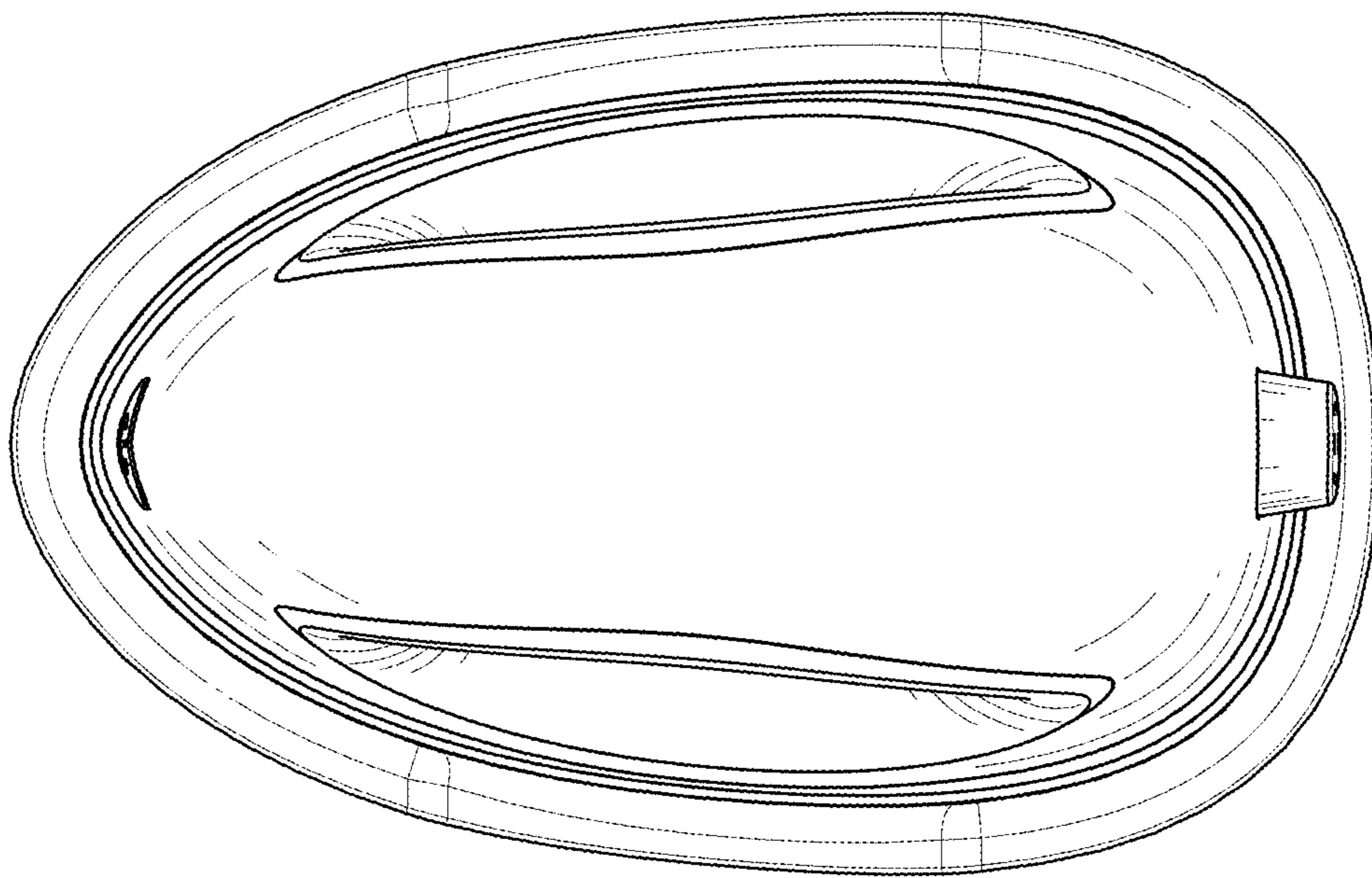


FIG. 6

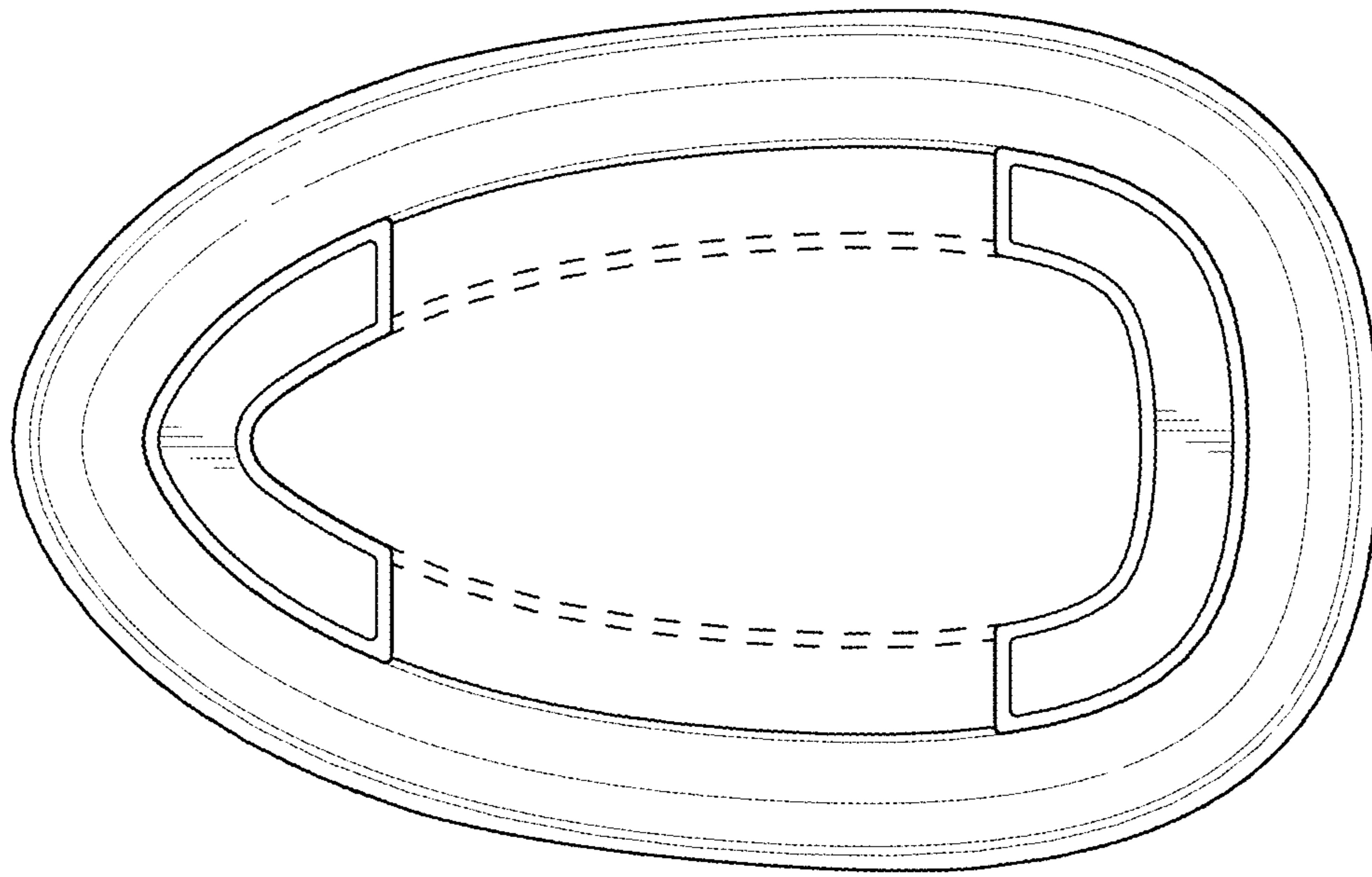


FIG. 7