



US00D955079S

(12) **United States Design Patent**
Joseph

(10) **Patent No.:** **US D955,079 S**
(45) **Date of Patent:** **** Jun. 14, 2022**

(54) **IRONING BOARD STAND**

- (71) Applicant: **JOSEPH JOSEPH LTD.**, London (GB)
- (72) Inventor: **Antony Joseph**, London (GB)
- (73) Assignee: **JOSEPH JOSEPH LTD**, London (GB)
- (**) Term: **15 Years**
- (21) Appl. No.: **29/763,669**
- (22) Filed: **Dec. 23, 2020**
- (30) **Foreign Application Priority Data**

- Jun. 25, 2020 (EM) 008021760-0001
- (51) **LOC (13) Cl.** **07-05**
- (52) **U.S. Cl.**
USPC **D32/66**
- (58) **Field of Classification Search**
USPC D32/9, 35, 60, 66; D21/526; D6/368,
D6/681, 691.6; D8/370
CPC A47B 39/06; D06F 81/00; D06F 81/003;
D06F 81/006; D06F 81/02; D06F 81/04;
D06F 81/06; D06F 83/00; Y10S 38/02;
Y10S 38/03; Y10T 292/305
See application file for complete search history.

(56) **References Cited**

U.S. PATENT DOCUMENTS

- 1,656,396 A * 1/1928 Schade D06F 81/04
108/29
- 1,703,282 A * 2/1929 Skinner D06F 81/02
108/118

(Continued)

FOREIGN PATENT DOCUMENTS

- CN 302714038 * 1/2014
- GB 9008021760-0001 * 6/2020
- RU 00125494 * 5/2021

OTHER PUBLICATIONS

How to choose the right ironing board for easy and efficient ironing, announced in YouTube on Jun. 20, 2016 [online], [site visited Nov. 4, 2021], Available from the internet URL: <https://www.youtube.com/watch?v=FKUPXwvRjec> (Year: 2016).*

(Continued)

Primary Examiner — Amy C Wierenga
Assistant Examiner — Jennylou M Binas

(74) *Attorney, Agent, or Firm* — Millen, White, Zelano & Branigan, PC; Ryan Pool

(57) **CLAIM**

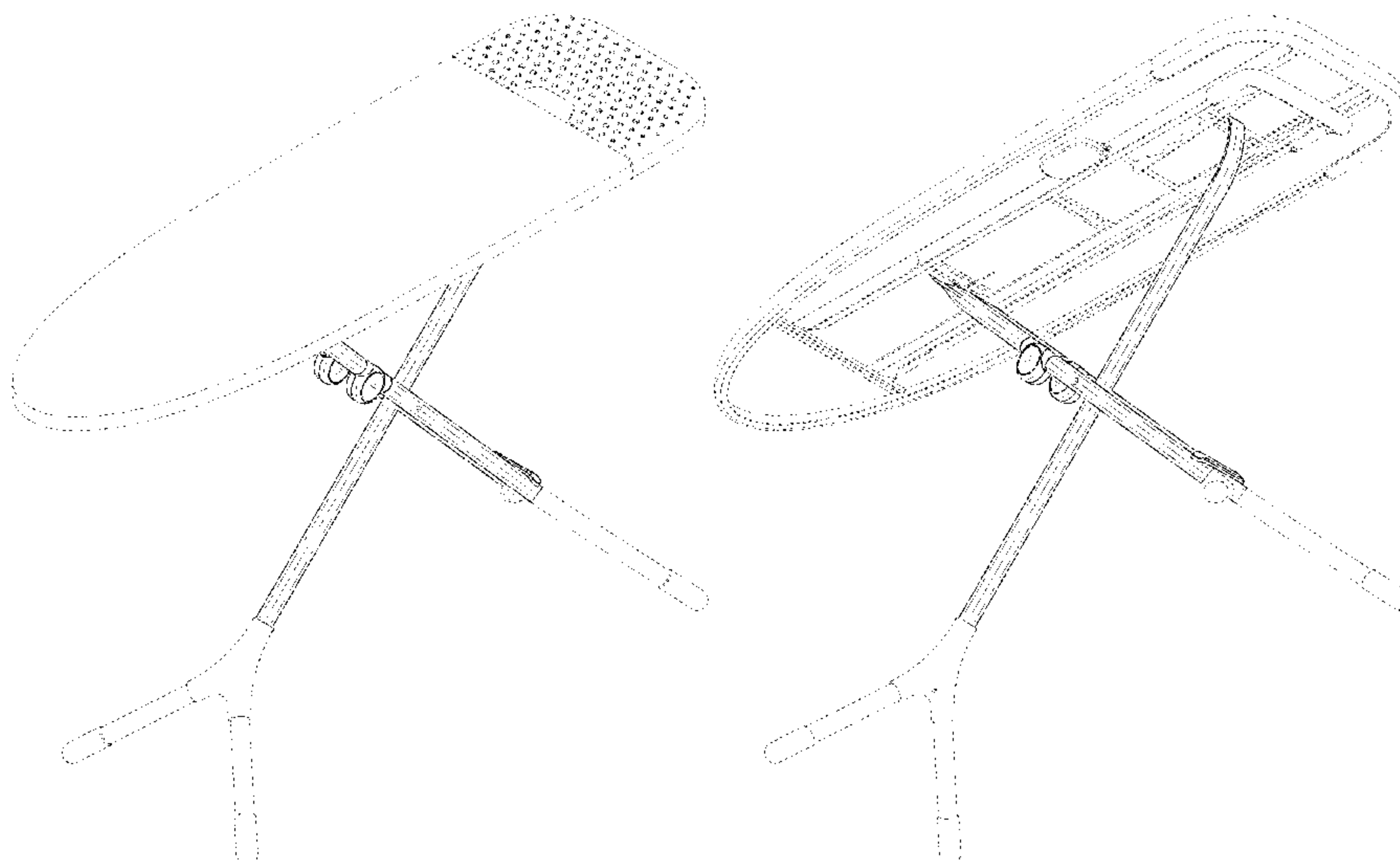
The ornamental design for an ironing board stand, as shown and described.

DESCRIPTION

FIG. 1 is a top perspective view of an ironing board stand in an extended position showing my new design.
 FIG. 2 is a bottom perspective view thereof.
 FIG. 3 is a side view thereof.
 FIG. 4 is another side view thereof.
 FIG. 5 is a top view thereof.
 FIG. 6 is a back view thereof.
 FIG. 7 is a front view thereof.
 FIG. 8 is a bottom view thereof.
 FIG. 9 is a top perspective view of the ironing board stand in a folded position.
 FIG. 10 is a bottom perspective view thereof.
 FIG. 11 is a side view thereof.
 FIG. 12 is another side view thereof.
 FIG. 13 is a top view thereof.
 FIG. 14 is a back view thereof.
 FIG. 15 is a front view thereof; and,
 FIG. 16 is a bottom view thereof.

The broken lines in the drawings illustrate portions of the ironing board stand which form no part of the claimed design.

1 Claim, 16 Drawing Sheets



(56)

References Cited

U.S. PATENT DOCUMENTS

D120,793 S * 5/1940 Thomas D6/691.6
 2,424,734 A * 7/1947 Booth D06F 81/02
 108/118
 D156,608 S * 12/1949 Daniel D32/66
 D159,952 S * 9/1950 Buser D32/66
 2,683,944 A * 7/1954 Kiel D06F 81/04
 108/117
 2,767,493 A * 10/1956 Wagner D06F 81/04
 108/117
 2,817,170 A * 12/1957 Skelton A47B 39/06
 297/174 R
 2,923,077 A * 2/1960 Tipping D06F 81/04
 38/104
 2,955,370 A * 10/1960 Tipping D06F 81/04
 38/135
 3,199,472 A * 8/1965 Stelniceanu D06F 81/04
 108/119
 D203,219 S * 12/1965 Munson D32/66
 D252,659 S * 8/1979 Brickman D6/682.2
 4,769,894 A * 9/1988 Simpson B21D 53/00
 108/119
 RE33,918 E * 5/1992 Simpson D06F 81/04
 108/119
 5,142,802 A * 9/1992 Krause D06F 81/00
 38/106
 5,299,510 A * 4/1994 Mattesky D06F 81/04
 108/117
 5,392,543 A * 2/1995 Lehrman D06F 83/00
 38/140
 D373,869 S * 9/1996 Stutzer D32/66
 5,685,237 A * 11/1997 Lehrman D06F 81/02
 108/118
 D434,541 S * 11/2000 Black D32/66
 6,286,237 B1 * 9/2001 Toutouchian D06F 81/003
 38/107
 6,497,061 B1 * 12/2002 Aleksic D06F 81/14
 38/140
 D511,911 S * 11/2005 Light D6/691.6
 D520,207 S * 5/2006 Gross D32/66
 D546,515 S * 7/2007 Wicky D32/66
 D547,567 S * 7/2007 Reiner D6/691.6
 D674,160 S * 1/2013 Cocksedge D32/66
 D706,006 S * 5/2014 Sabounjian D32/66
 D750,401 S * 3/2016 Ruiz D6/681
 D858,022 S * 8/2019 Wang D32/66

D923,352 S * 6/2021 Gong D6/391
 D937,619 S * 12/2021 Kim D6/368
 D942,785 S * 2/2022 Li D6/691.6
 2003/0136034 A1 * 7/2003 Lehrman D06F 83/00
 38/140
 2005/0247242 A1 * 11/2005 Schwerdlin A47B 3/00
 108/118
 2007/0044350 A1 * 3/2007 Tang D06F 81/12
 38/137
 2008/0209775 A1 * 9/2008 Voitchovsky D06F 81/02
 38/103
 2008/0250676 A1 * 10/2008 Vidovic D06F 81/14
 38/140
 2010/0242317 A1 * 9/2010 Trowsdale D06F 81/08
 38/103
 2011/0167684 A1 * 7/2011 Toutouchian D06F 81/10
 38/138
 2013/0097897 A1 * 4/2013 Hem D06F 83/00
 38/140
 2013/0111787 A1 * 5/2013 Areyur D06F 81/003
 38/107
 2015/0259850 A1 * 9/2015 Hernandez D06F 81/04
 38/137
 2018/0153300 A1 * 6/2018 Westcott F16B 5/0685

OTHER PUBLICATIONS

Joseph Joseph Glide Ironing Board with Compact Legs, available in Amazon.co.uk, date first available Jun. 1, 2021 [online], [site visited Nov. 4, 2021], Available from the internet URL: https://www.amazon.co.uk/Joseph-Glide-Ironing-Board-Compact/dp/B08QMR1TKM/ref=sr_1_2? (Year: 2021).*

Mabel Home Adjustable Height, Deluxe, 4-Leg, available in Amazon.co.uk, date first available Feb. 22, 2019 [online], [site visited Nov. 4, 2021], Available from the internet URL: https://www.amazon.co.uk/dp/B07GH5ZDSH/ref=sspa_dk_detail_6? (Year: 2019).*

Best Ironing Boards 2019, announced in YouTube on Feb. 28, 2018 [online], [site visited Nov. 4, 2021], Available from the internet URL: <https://www.youtube.com/watch?v=vm8wbjuOD5s> (Year: 2018).*

Hills Premium Ironing Board, available in Amazon.co.au, date first available Dec. 18, 2017 [online], [site visited Nov. 4, 2021], Available from the internet URL: https://www.amazon.com.au/Hills%C2%AE-Ironing-Sliding-Professional-Bonuses/dp/B078H2TCK2/ref=pd_lpo_4?pd_rd_i=B078H2TCK2&psc=1 (Year: 2017).*

* cited by examiner

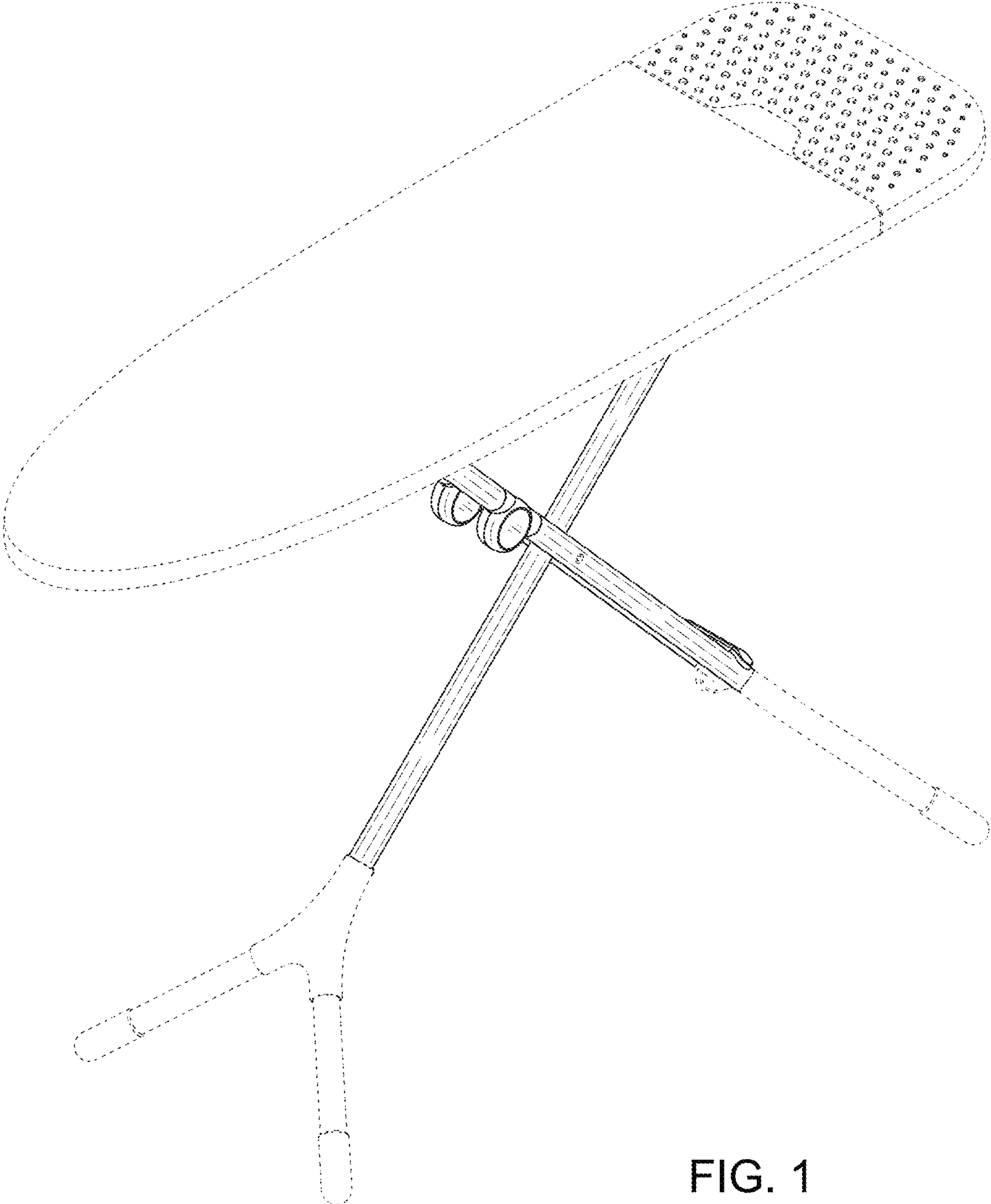


FIG. 1

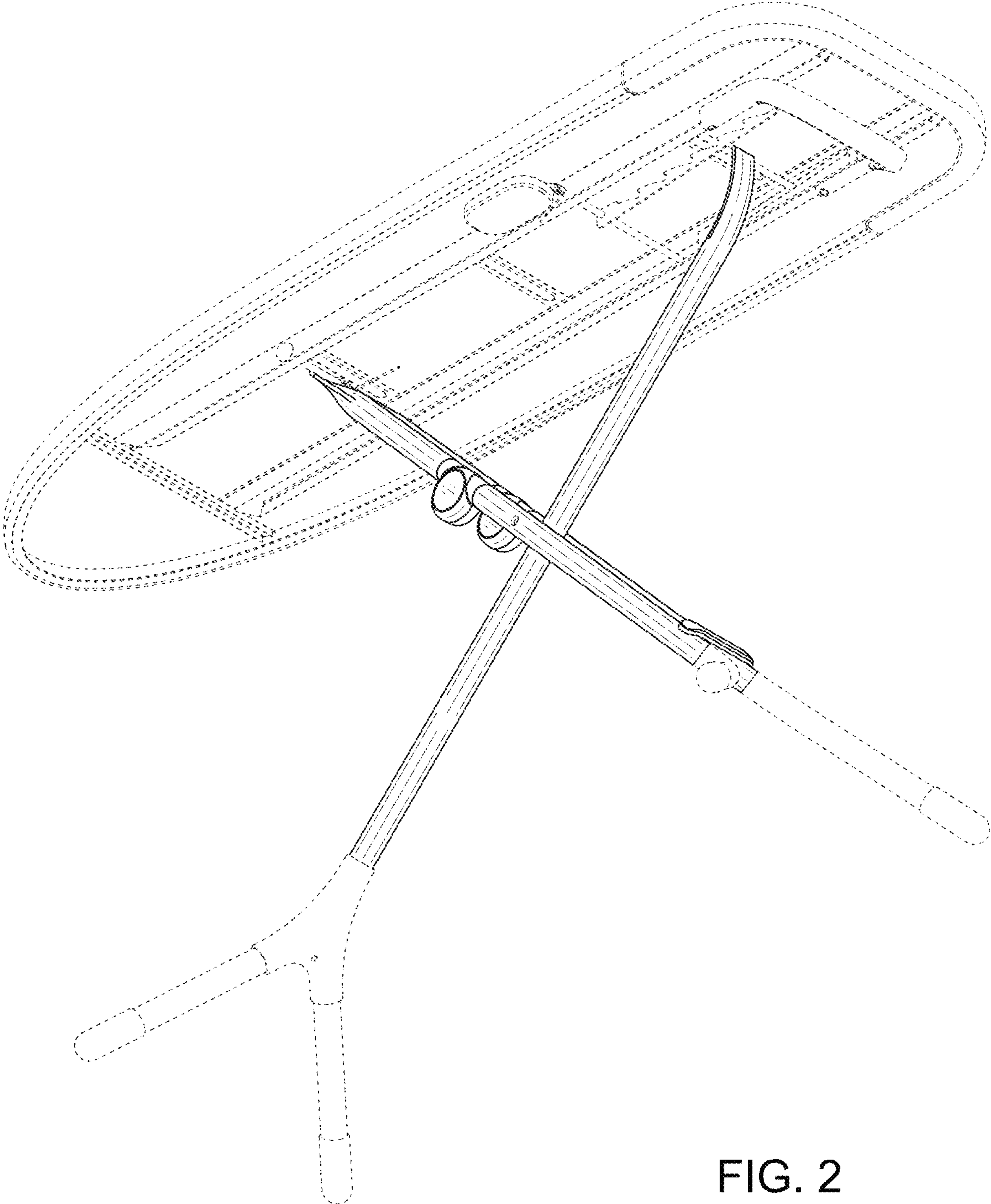


FIG. 2

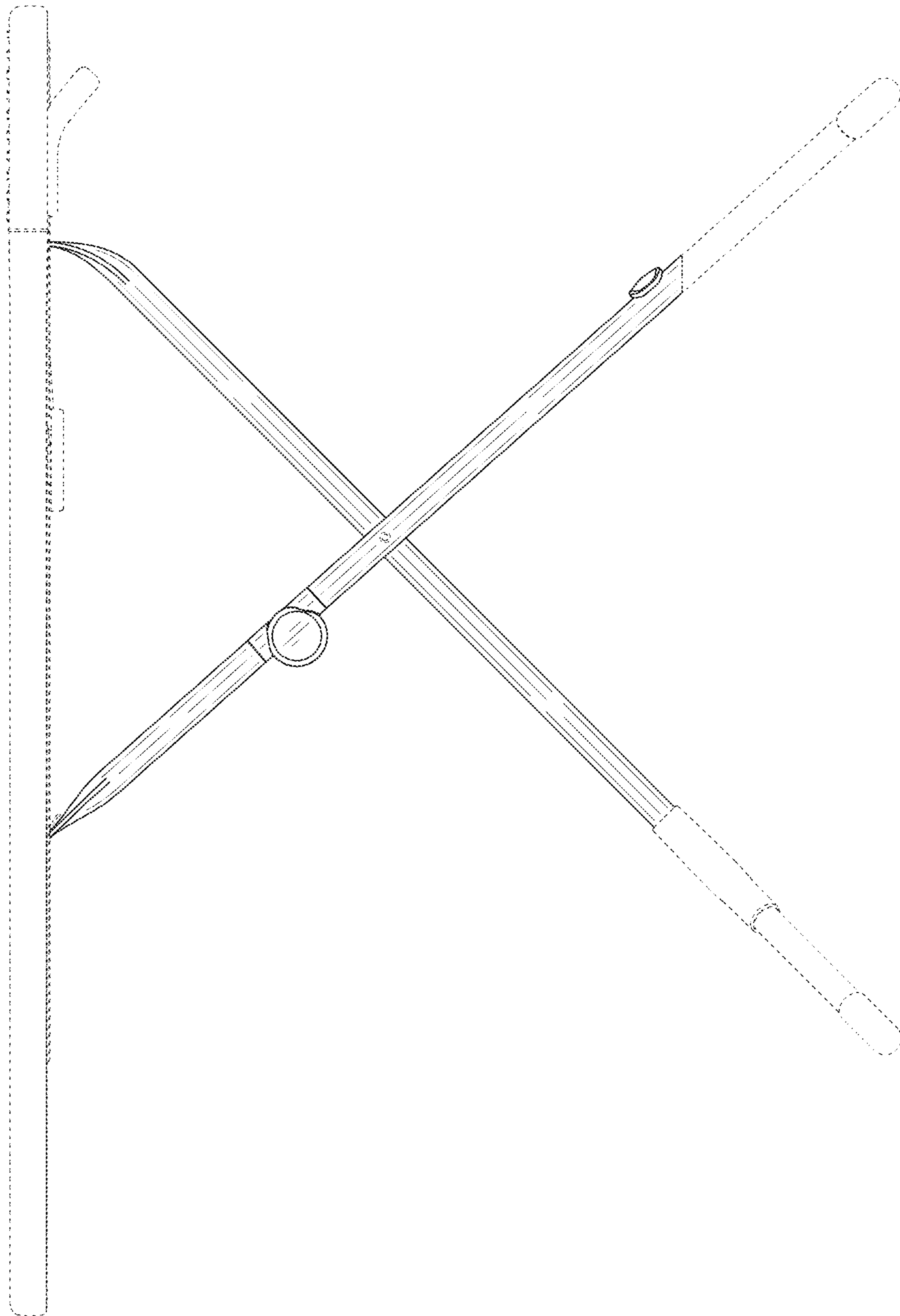


FIG. 3

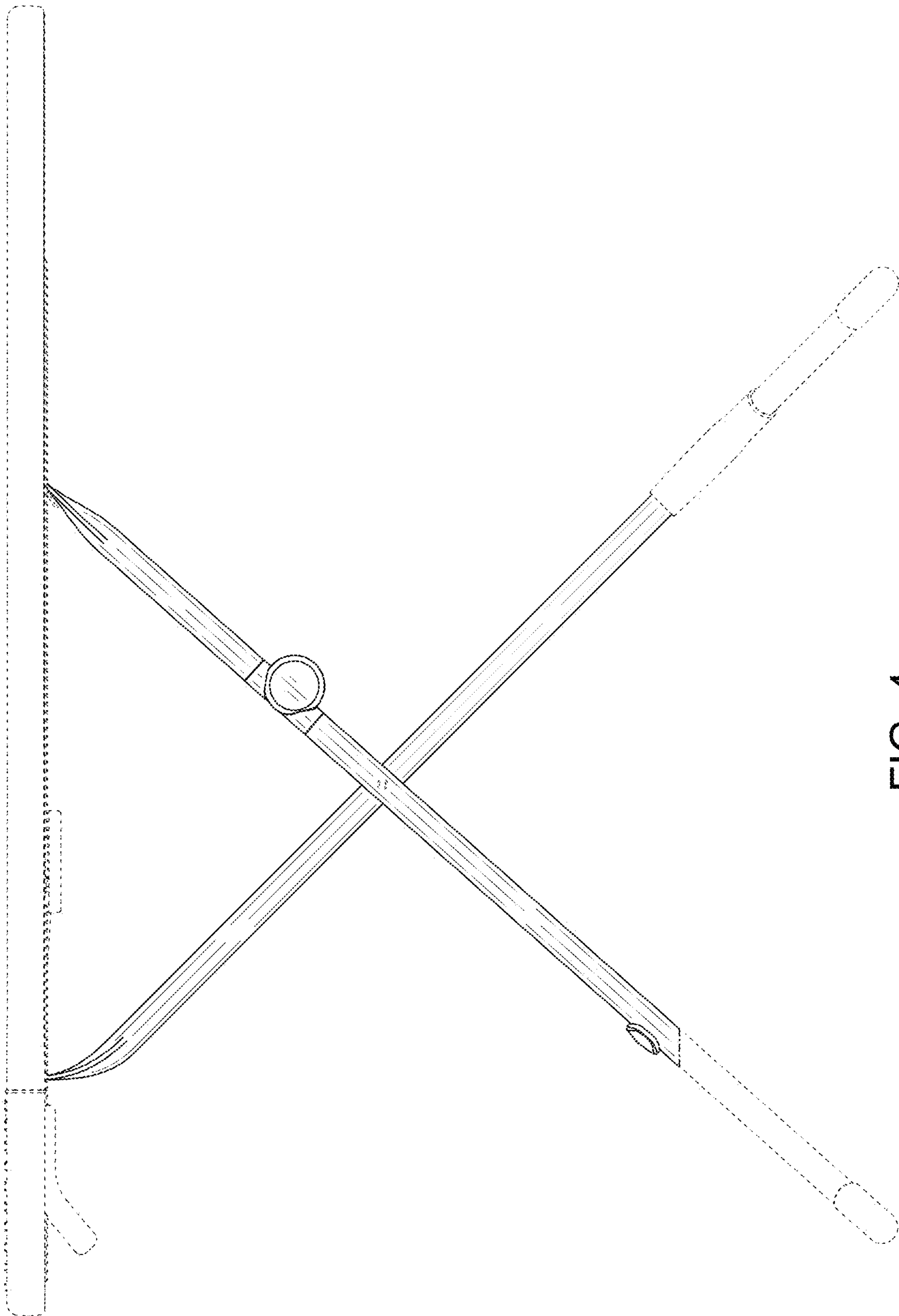


FIG. 4

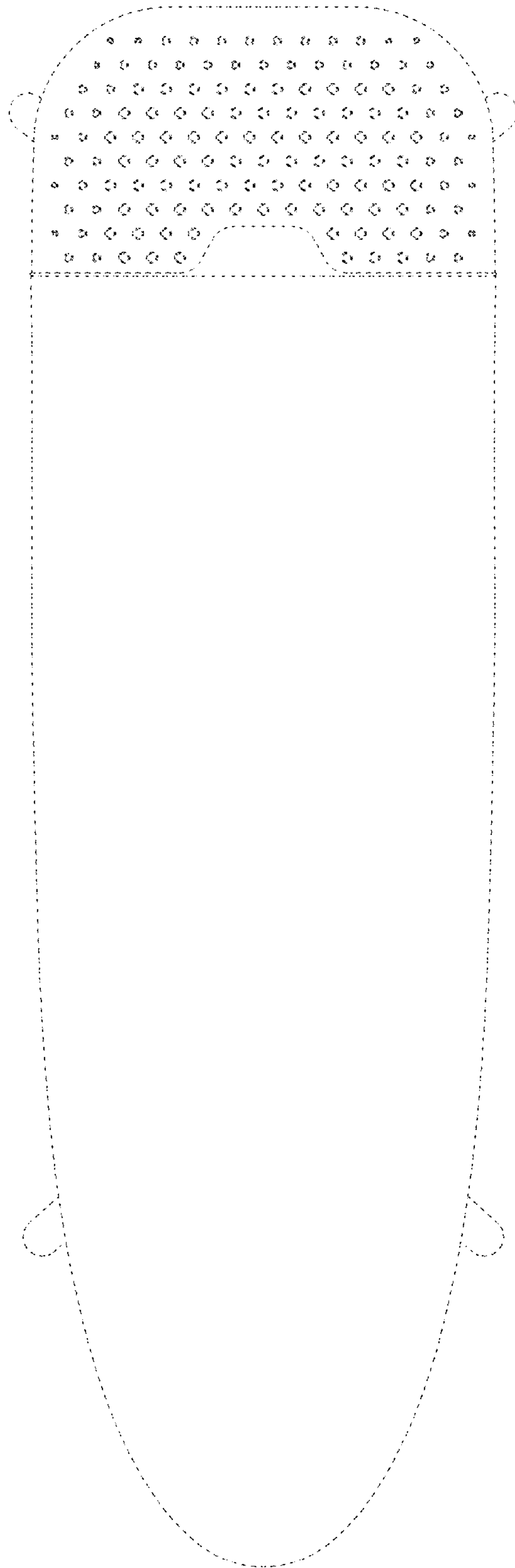


FIG. 5

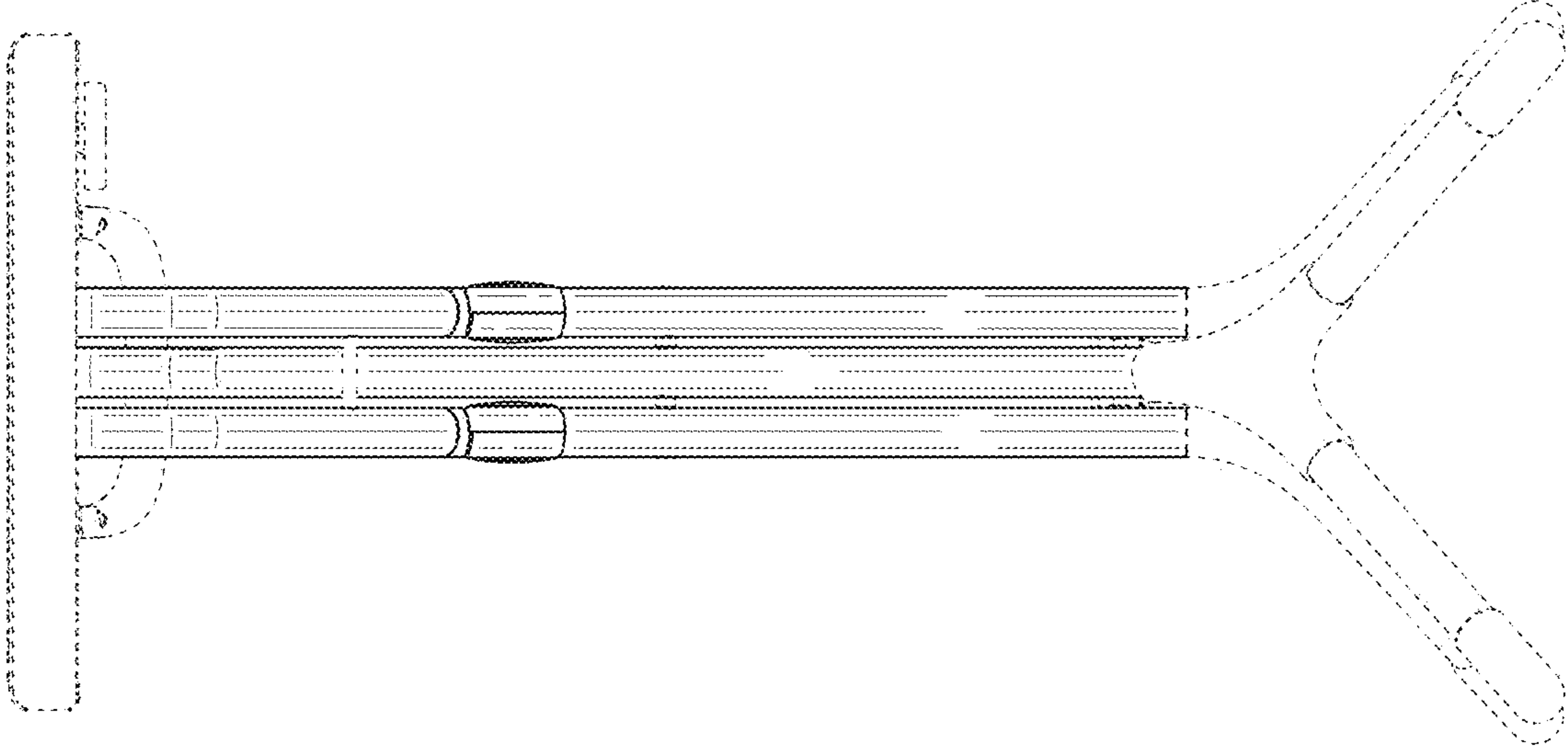


FIG. 6

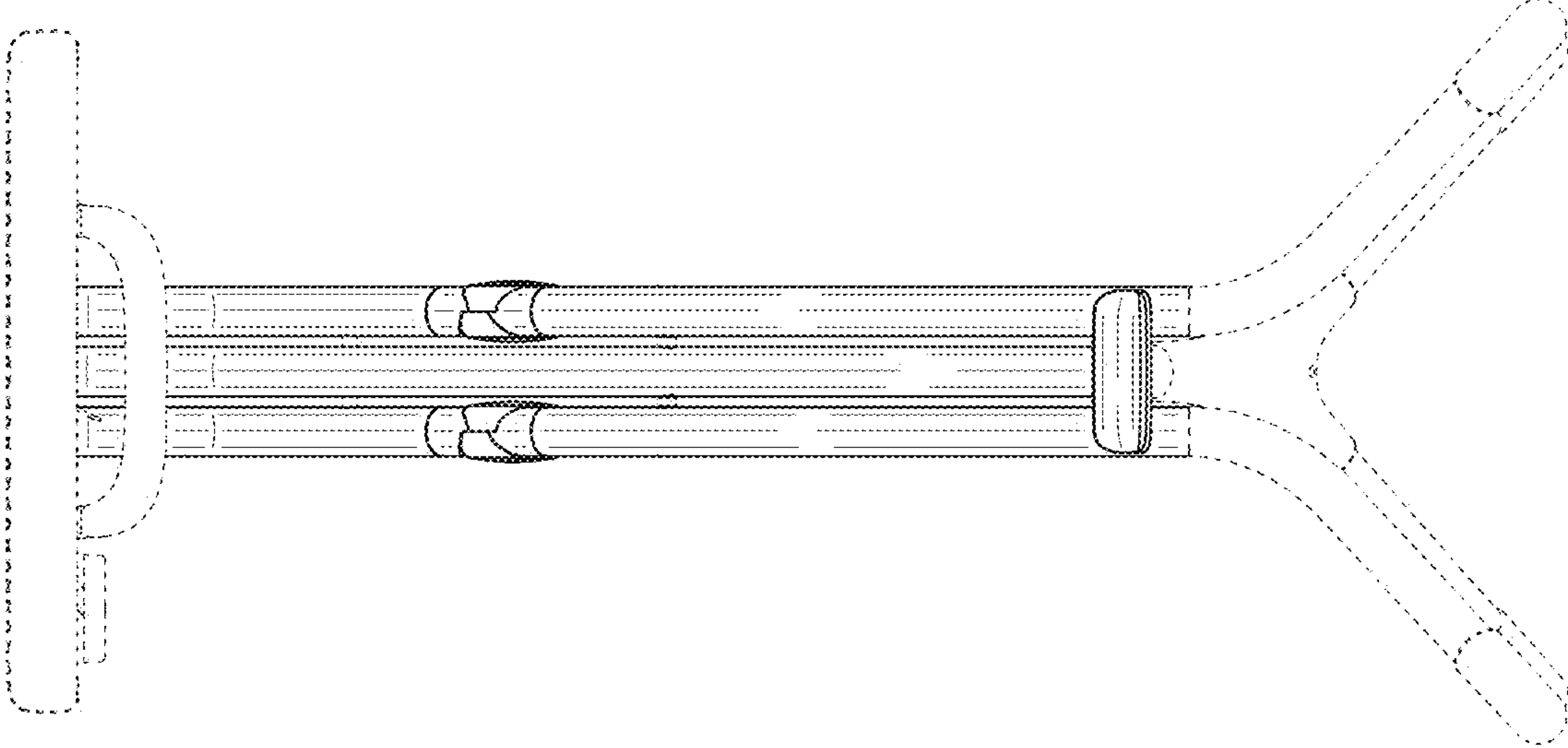


FIG. 7

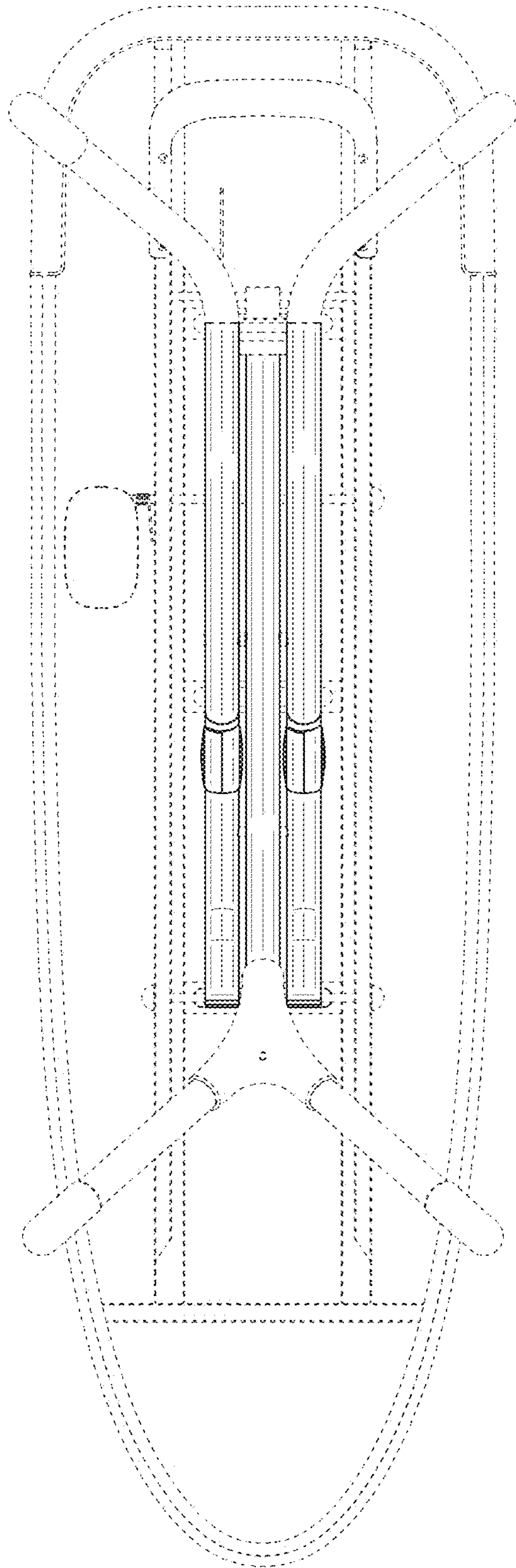


FIG. 8

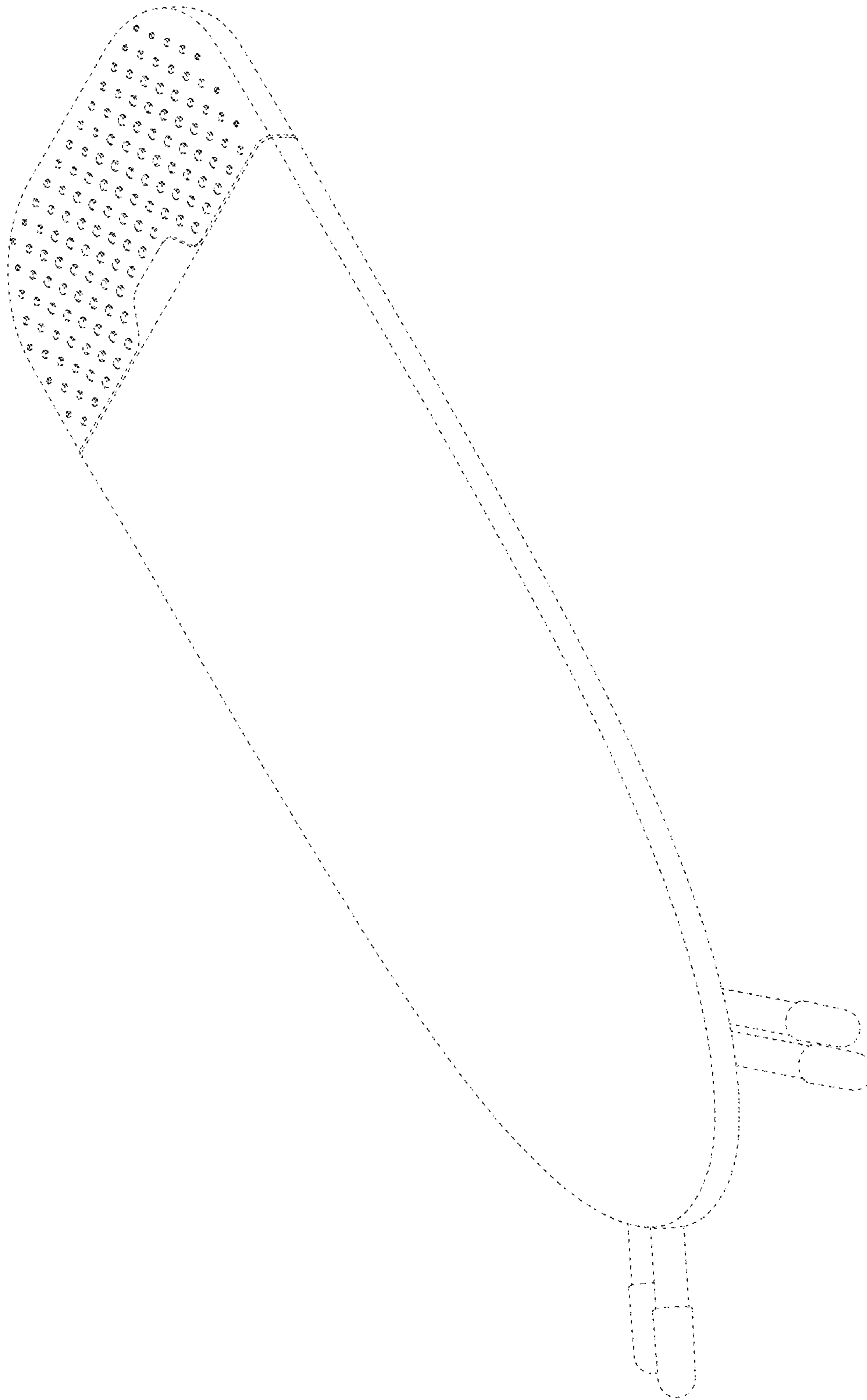


FIG. 9

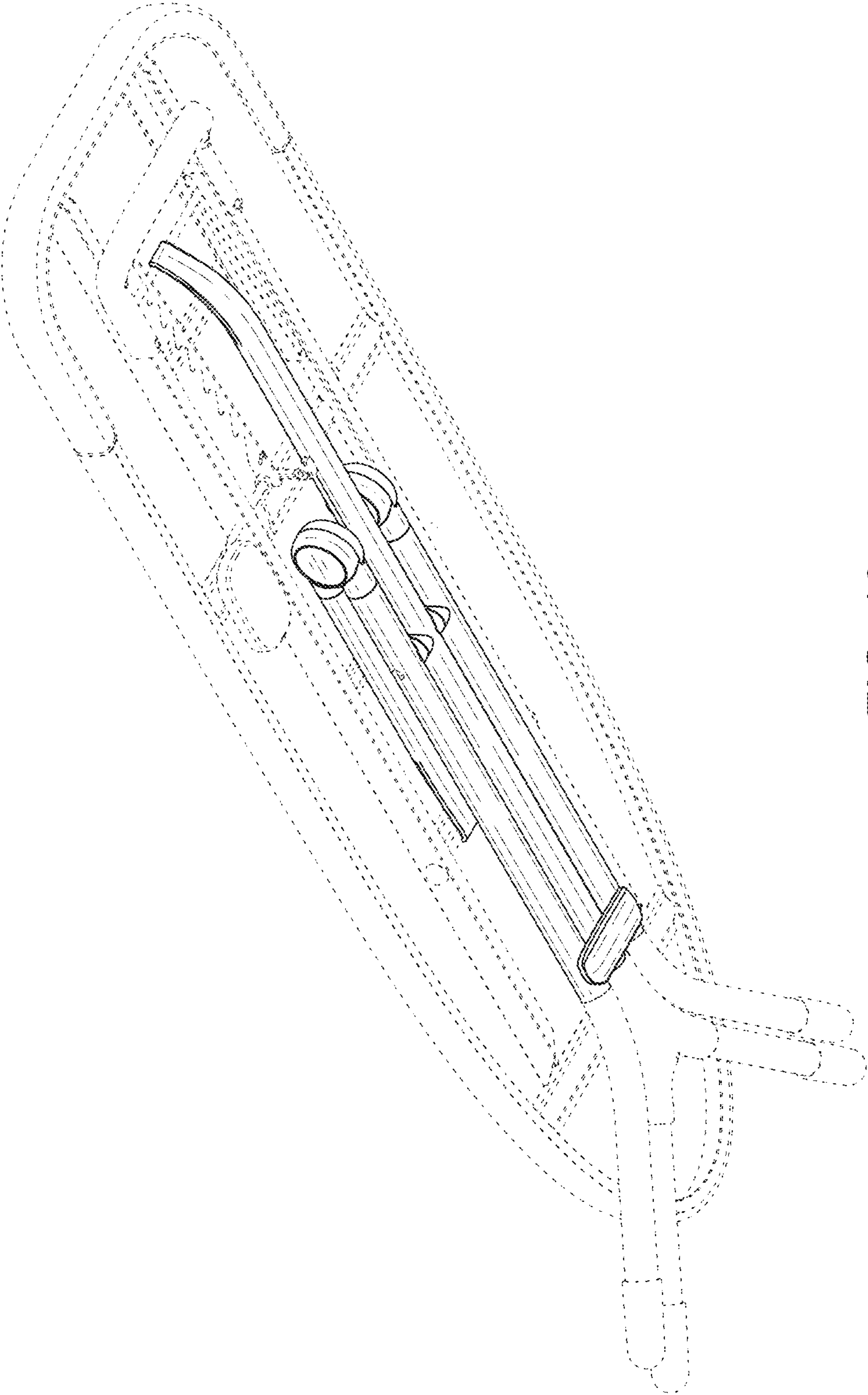


FIG. 10

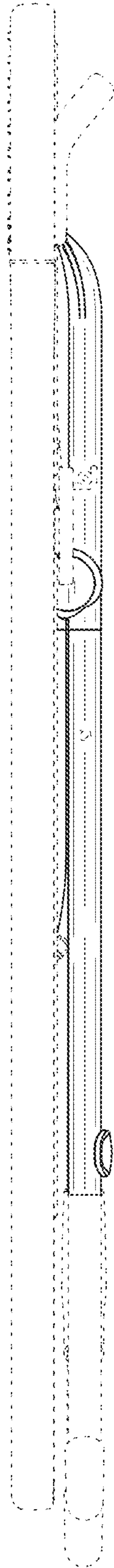


FIG. 11

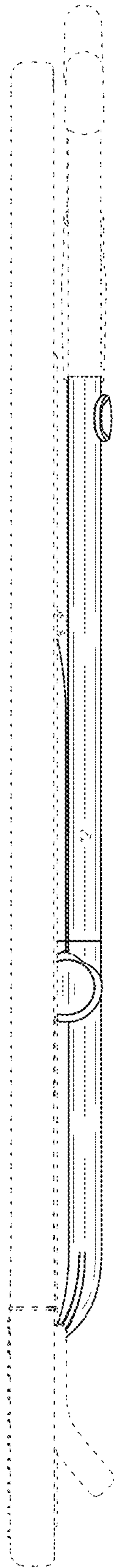


FIG. 12

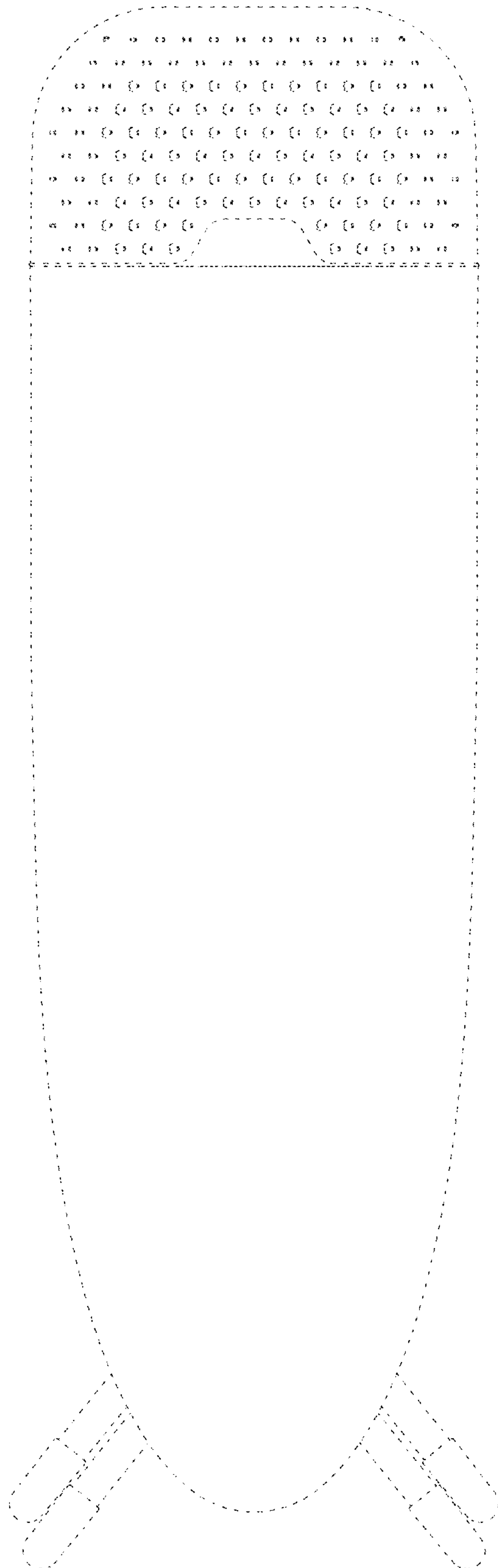


FIG. 13



FIG. 14

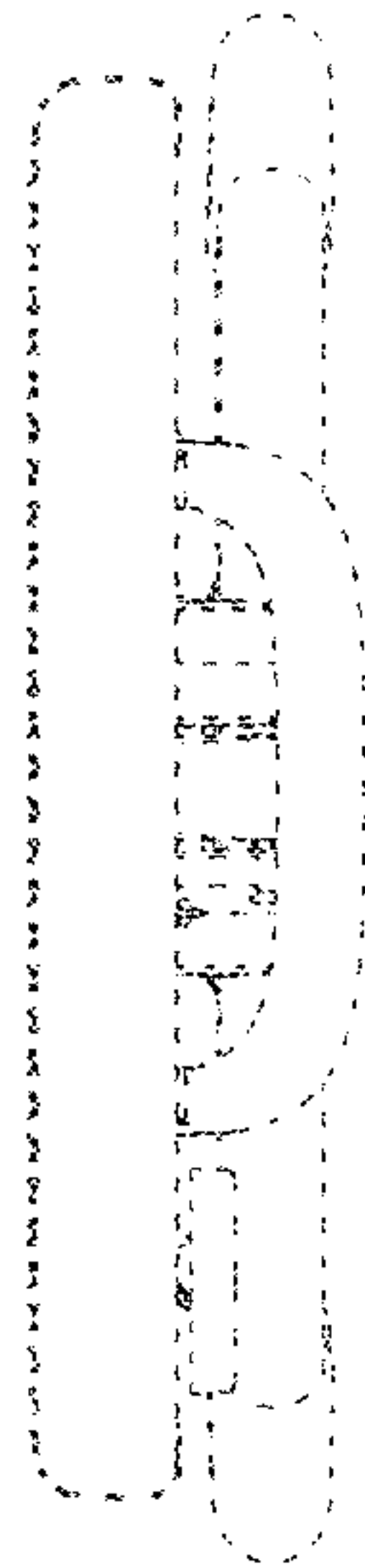


FIG. 15

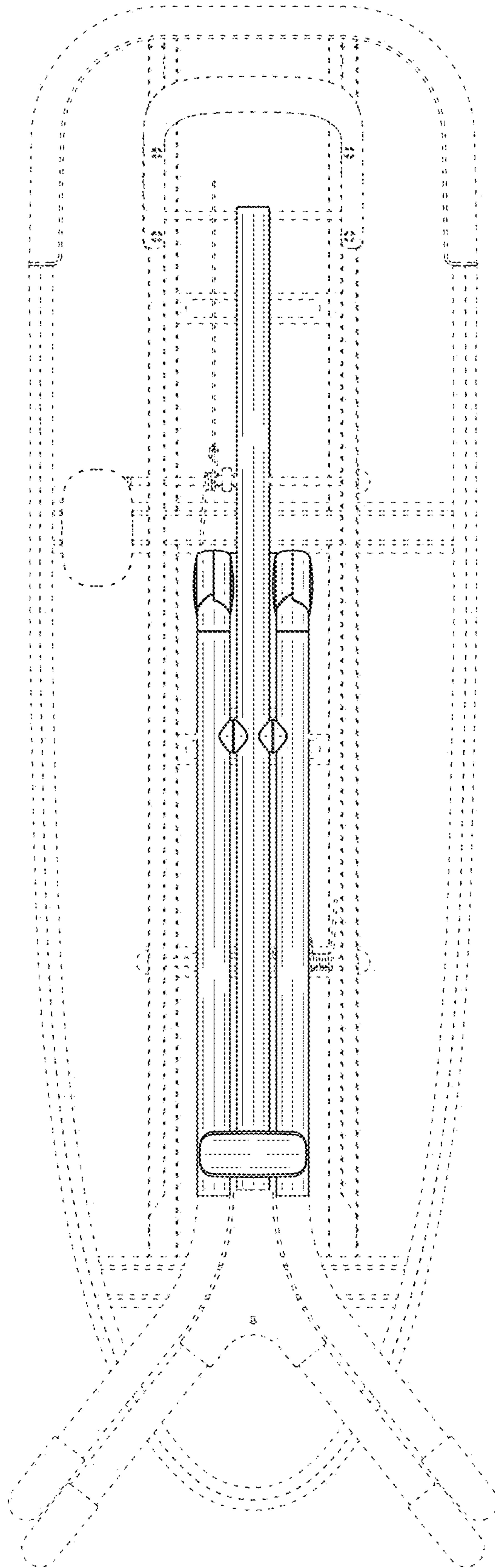


FIG. 16