



US00D955078S

(12) **United States Design Patent**
Park et al.

(10) **Patent No.:** **US D955,078 S**
(45) **Date of Patent:** **** *Jun. 14, 2022**

(54) **IRONING BOARD**

FOREIGN PATENT DOCUMENTS

(71) Applicant: **LG ELECTRONICS INC.**, Seoul (KR)

GB 2069748 * 2/1998
WO D206437-001 * 8/2021

(Continued)

(72) Inventors: **Kyutae Park**, Seoul (KR); **Jaeil Bae**, Seoul (KR); **Kyungah Lee**, Seoul (KR); **Hoil Jeon**, Seoul (KR); **Youngsoo Ha**, Seoul (KR)

OTHER PUBLICATIONS

10 Best Ironing Boards to Buy in 2021, available in www.goodhousekeeping.com, announced May 24, 2021 [online], [site visited Nov. 16, 2020], Internet URL: <https://www.goodhousekeeping.com/home-products/g36343446/best-ironing-board/> (Year: 2021).*

(Continued)

(73) Assignee: **LG ELECTRONICS INC.**, Seoul (KR)

(*) Notice: This patent is subject to a terminal disclaimer.

Primary Examiner — Dana K Weiland

Assistant Examiner — Jennylou M Binas

(**) Term: **15 Years**

(74) *Attorney, Agent, or Firm* — Birch, Stewart, Kolasch & Birch, LLP

(21) Appl. No.: **29/724,731**

(22) Filed: **Feb. 19, 2020**

(30) **Foreign Application Priority Data**

(57) **CLAIM**

Aug. 20, 2019 (KR) 30-2019-0039786

We claim the ornamental design for an ironing board, as shown and described.

(51) **LOC (13) Cl.** **07-05**

(52) **U.S. Cl.**
USPC **D32/66**

(58) **Field of Classification Search**
USPC D32/6, 9, 35, 66, 67; D21/526; D6/559, D6/663, 668, 691.1, 691.3, 691.4
CPC A47B 39/06; A47B 46/00; A47B 61/02; A47B 63/04; A47B 77/10; A47B 77/16; D06F 81/00; D06F 81/003; D06F 81/006; D06F 81/02; D06F 81/04; D06F 81/06; D06F 81/08; D06F 81/12; D06F 83/00;

(Continued)

DESCRIPTION

FIG. 1 is a perspective view of an ironing board showing the new design;
FIG. 2 is a front elevation view thereof;
FIG. 3 is a rear elevation view thereof;
FIG. 4 is a left-side elevation view thereof;
FIG. 5 is a right-side elevation view thereof;
FIG. 6 is a top plan view thereof;
FIG. 7 is a bottom plan view thereof; and,
FIG. 8 is a perspective view of the ironing board showing in a folded state.

The parts of the ironing board shown by means of broken lines in the drawing figures are not part of the claimed design.

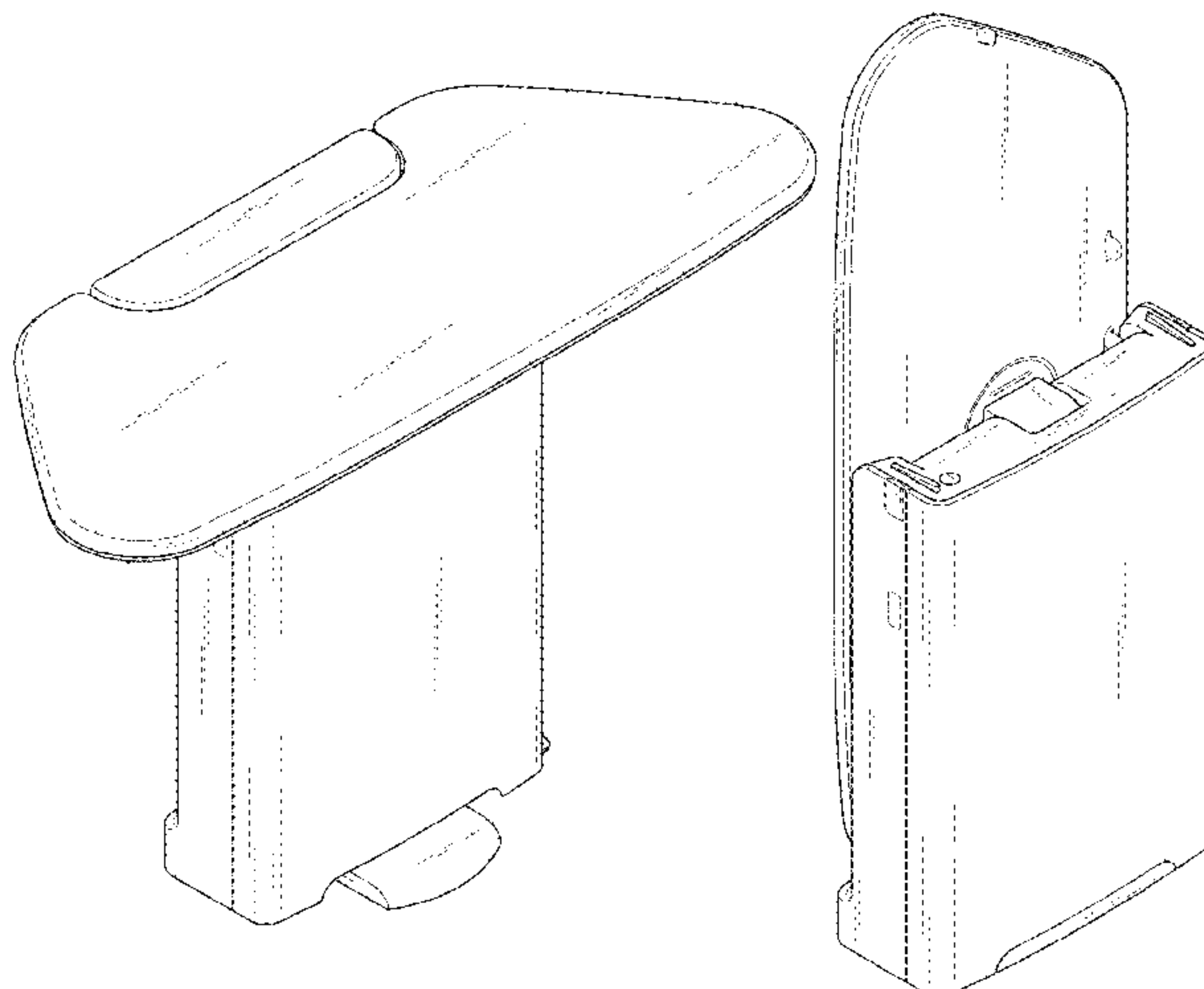
(56) **References Cited**

U.S. PATENT DOCUMENTS

D19,852 S * 5/1890 Hicks D32/66
D47,601 S * 7/1915 Labadie D3/274
D124,329 S * 12/1940 Parker D32/66

(Continued)

1 Claim, 8 Drawing Sheets



(58) **Field of Classification Search**

CPC Y10S 38/00; Y10S 38/01; Y10S 38/02;
Y10S 38/03; Y10T 292/305

See application file for complete search history.

D937,524 S * 11/2021 Park D32/66
D938,123 S * 12/2021 Bae D32/66
D939,170 S * 12/2021 Park D32/66

FOREIGN PATENT DOCUMENTS

WO D206925-001 * 8/2021
WO D206926-001 * 8/2021
WO D207135-001 * 8/2021

(56) **References Cited**

U.S. PATENT DOCUMENTS

D142,261 S * 8/1945 Meyerhoefer D32/66
D159,952 S * 9/1950 Buser D32/66
2,523,425 A * 9/1950 Gargaglione A47B 77/10
108/13
D167,456 S * 8/1952 Glassie et al. D32/66
D182,902 S * 5/1958 Kempf D32/66
D183,468 S * 9/1958 Turner D32/66
D263,781 S * 4/1982 Pettersson D32/66
D272,008 S * 12/1983 Flory D32/66
D348,338 S * 6/1994 Stutzer D32/66
D373,869 S * 9/1996 Stutzer D32/66
D413,699 S * 9/1999 Evans D32/37
D426,040 S * 5/2000 Wicky D32/66
D427,402 S * 6/2000 Kellogg D32/66
D543,671 S * 5/2007 Chu D32/66
D543,672 S * 5/2007 Chu D32/66
D546,515 S * 7/2007 Wicky D32/66
D608,515 S * 1/2010 Park D32/66
D704,912 S * 5/2014 Gameiro D32/66
D732,771 S * 6/2015 Chung D32/25
D858,022 S * 8/2019 Wang D32/66

OTHER PUBLICATIONS

KAPAS Adjustable Garment Steamer, available in freestuff.cafe, announced May 5, 2021[online], [site visited Sep. 9, 2021], URL: <https://freestuff.cafe/deals/kapas-adjustable-garment-steamer-accessories-for-clothes-build-in-rotatable-ironing-board-21l-water-tank-8-ironing-options-for-different-clothes/> (Year: 2021).*

Miele B3847 Fashionmaster Ironing System, date 1st available Mar. 9, 2017[online],[site visited Sep. 9, 2021], Available from the internet URL: https://www.amazon.ca/Miele-B3847-Fashionmaster-Ironing-System/dp/B01N705TG5/ref=sr_1_1?dchild=1&keywords=Miele+FashionMaster+Ironing+System&qid=1631218268&sr=8-1 (Year: 2017).*

Flash Furniture Trapezoid Table, available in Amazon.com, date 1st available Mar. 26, 2012[online],[site visited Sep. 21, 2021] Available internet URL: https://www.amazon.com/Flash-Furniture-Trapezoid-Laminate-Activity/dp/B00777WHJQ/ref=sr_1_1?dchild=1&keywords=B00777WHJQ&qid=1632242139&s=home-garden&sr=1-1 (Year: 2012).*

* cited by examiner

FIG. 1

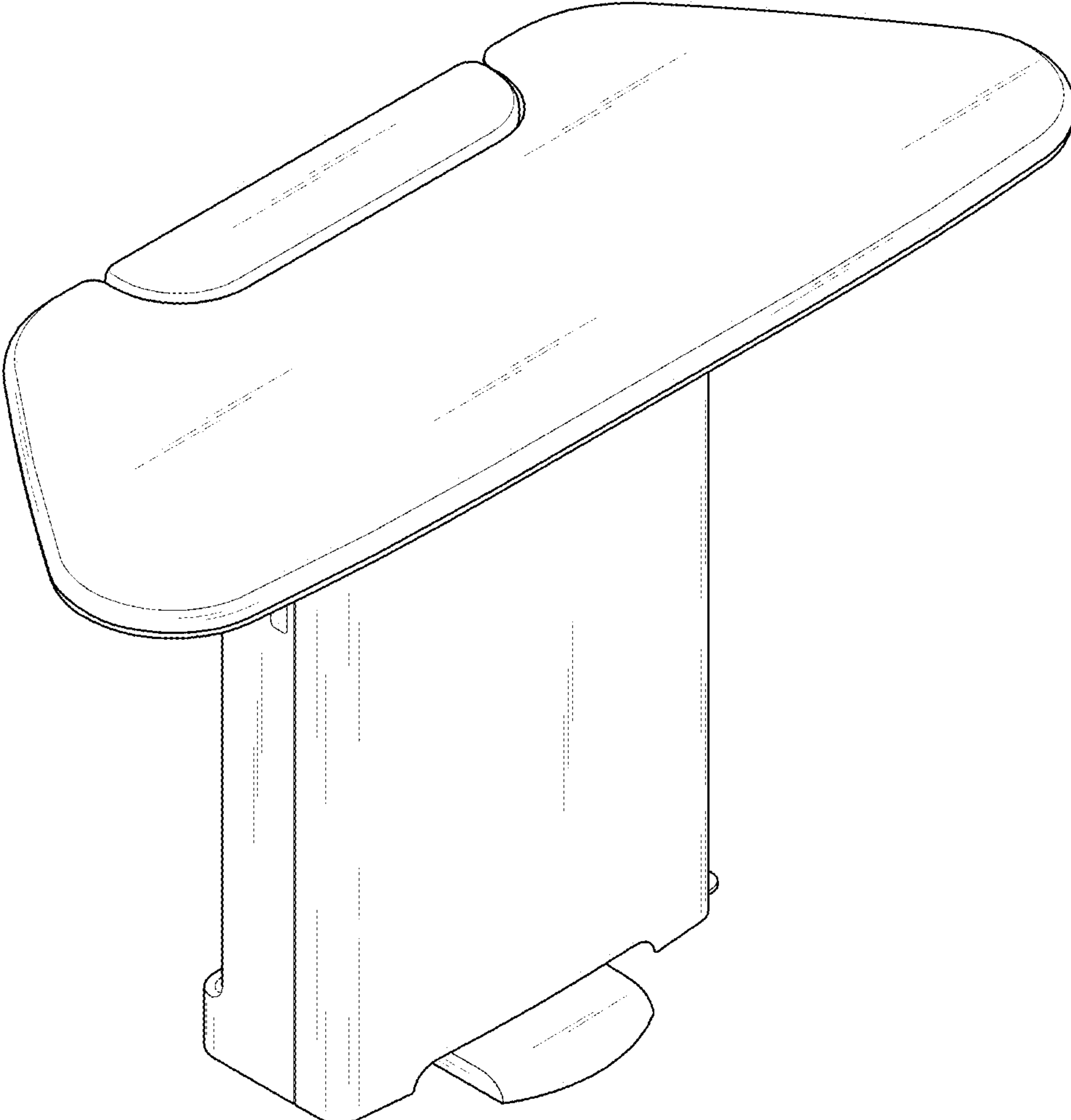


FIG. 2

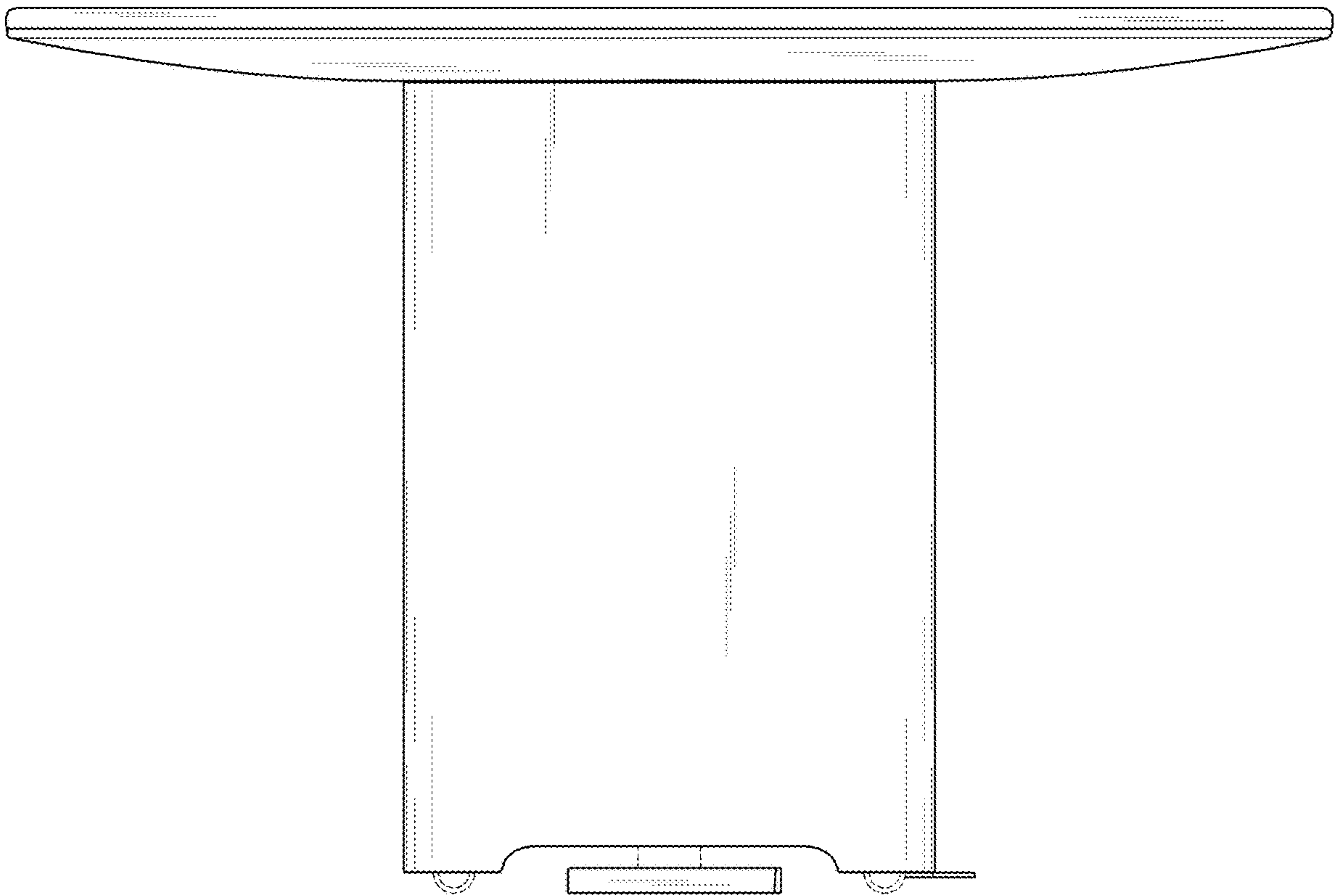


FIG. 3

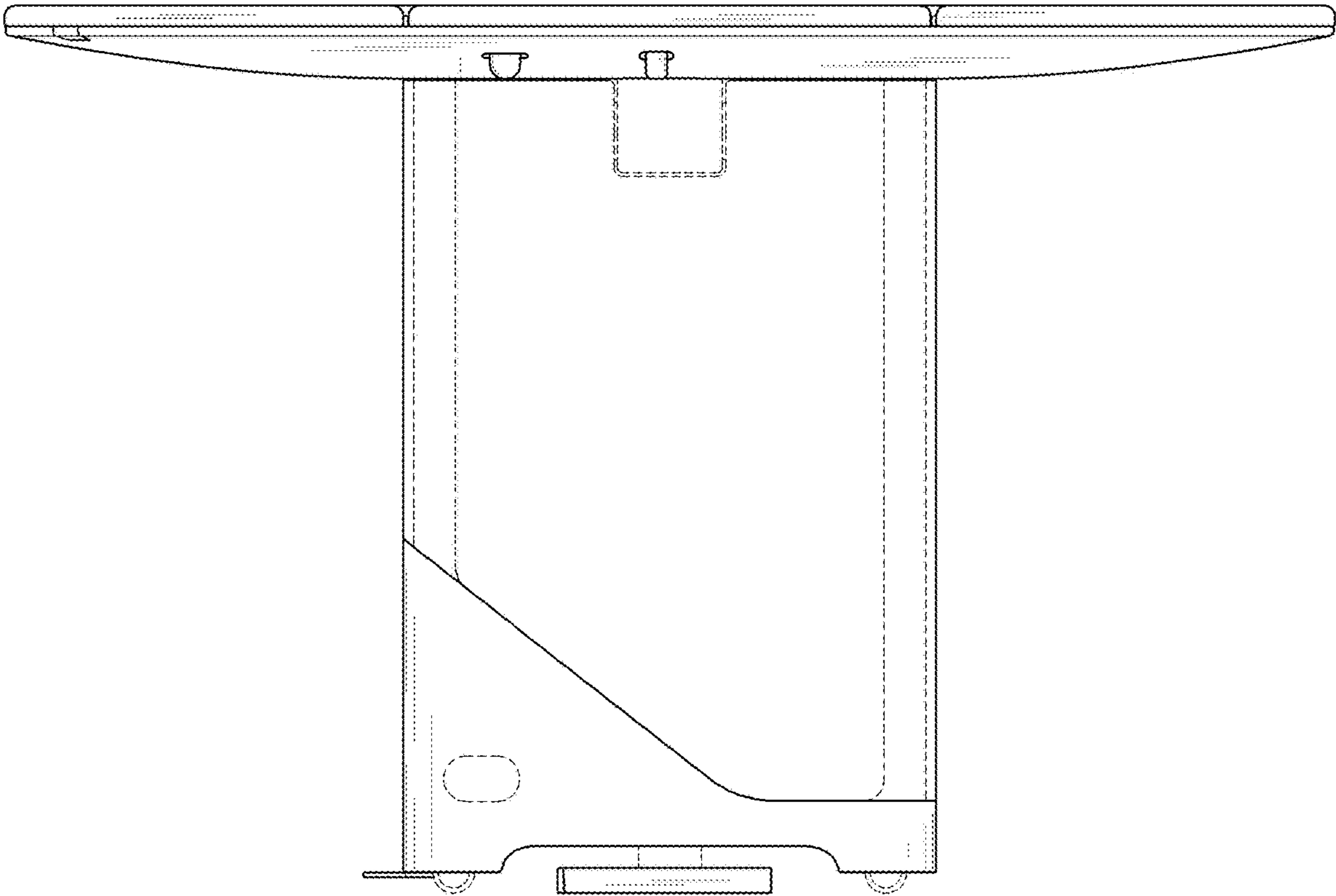


FIG. 4

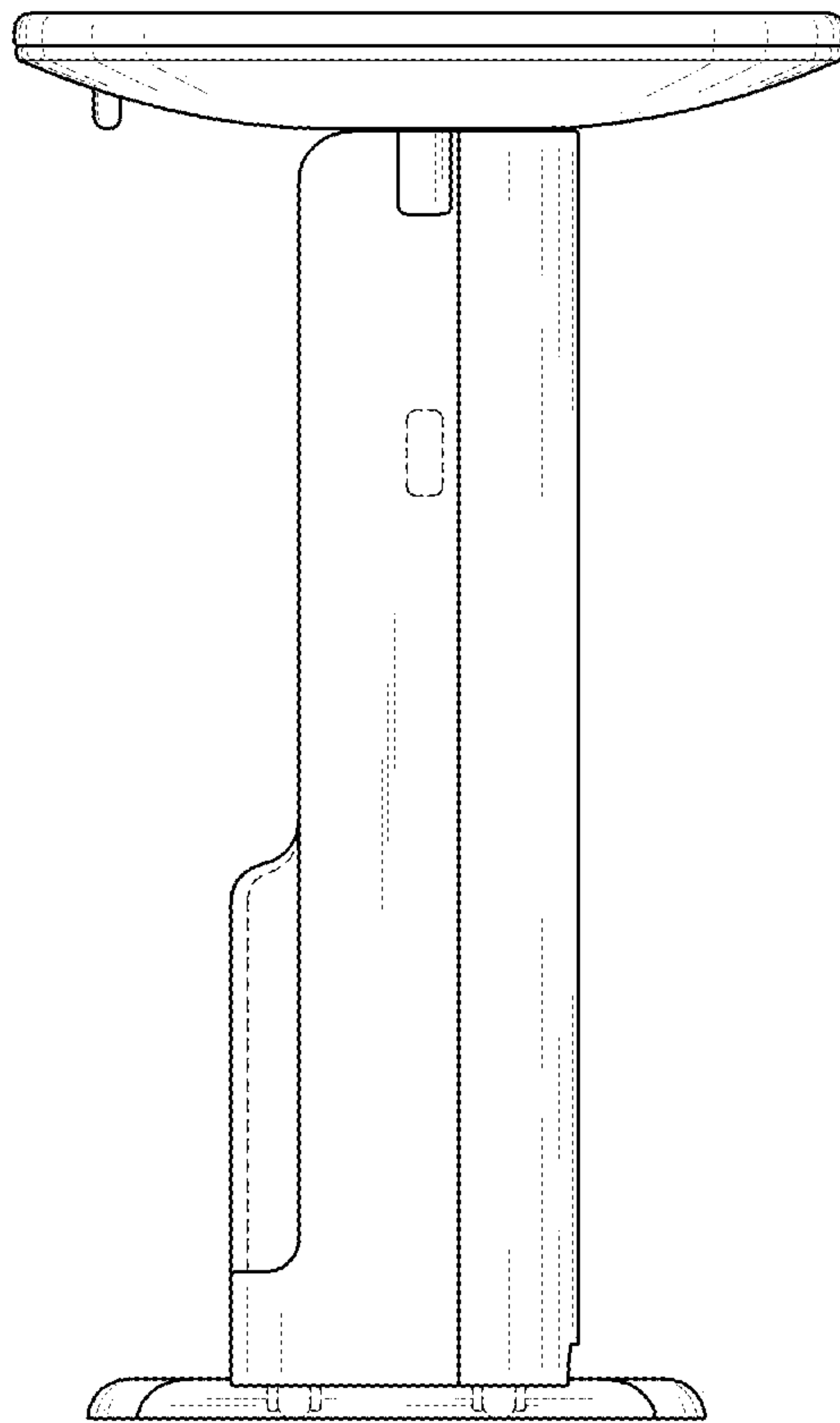


FIG. 5

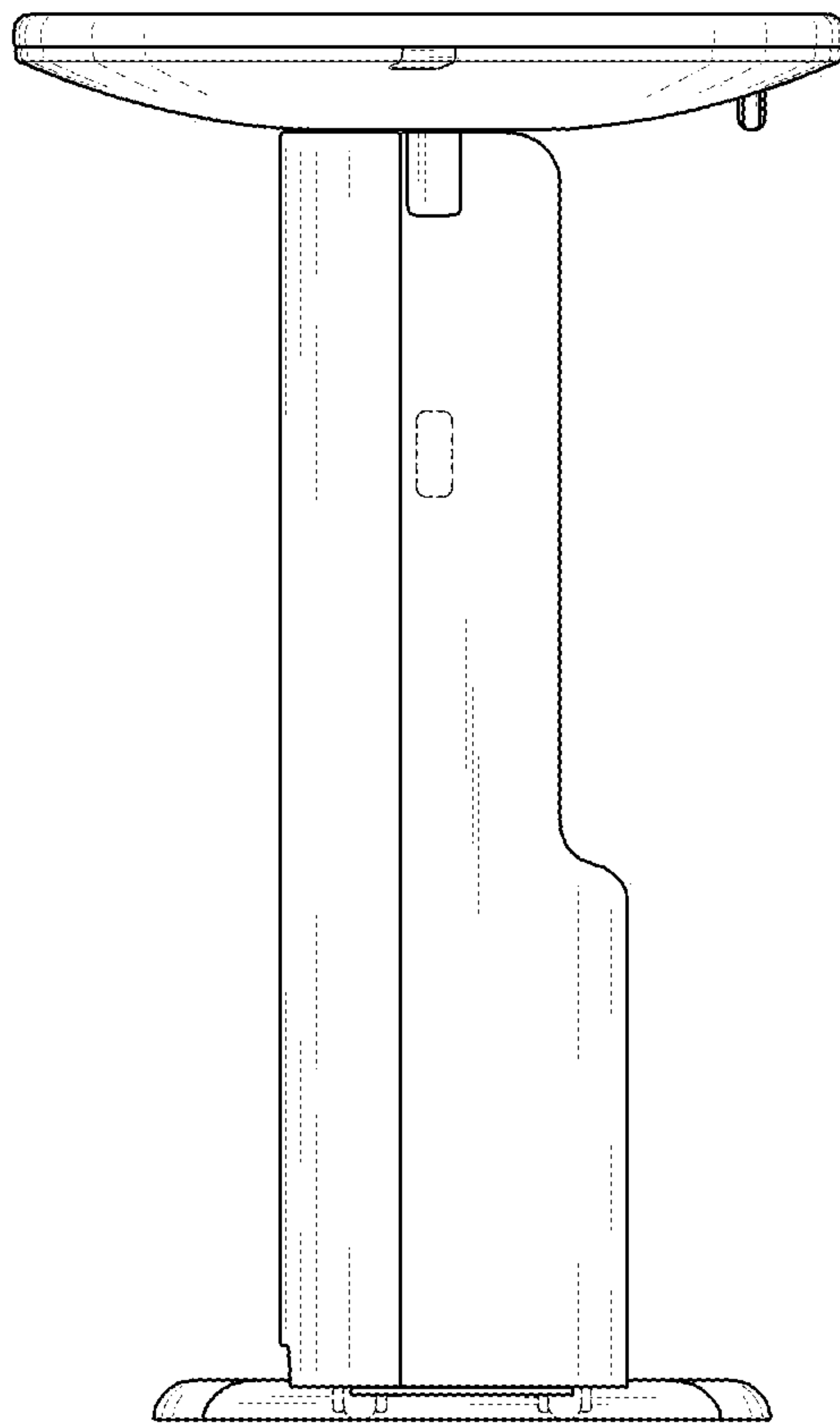


FIG. 6

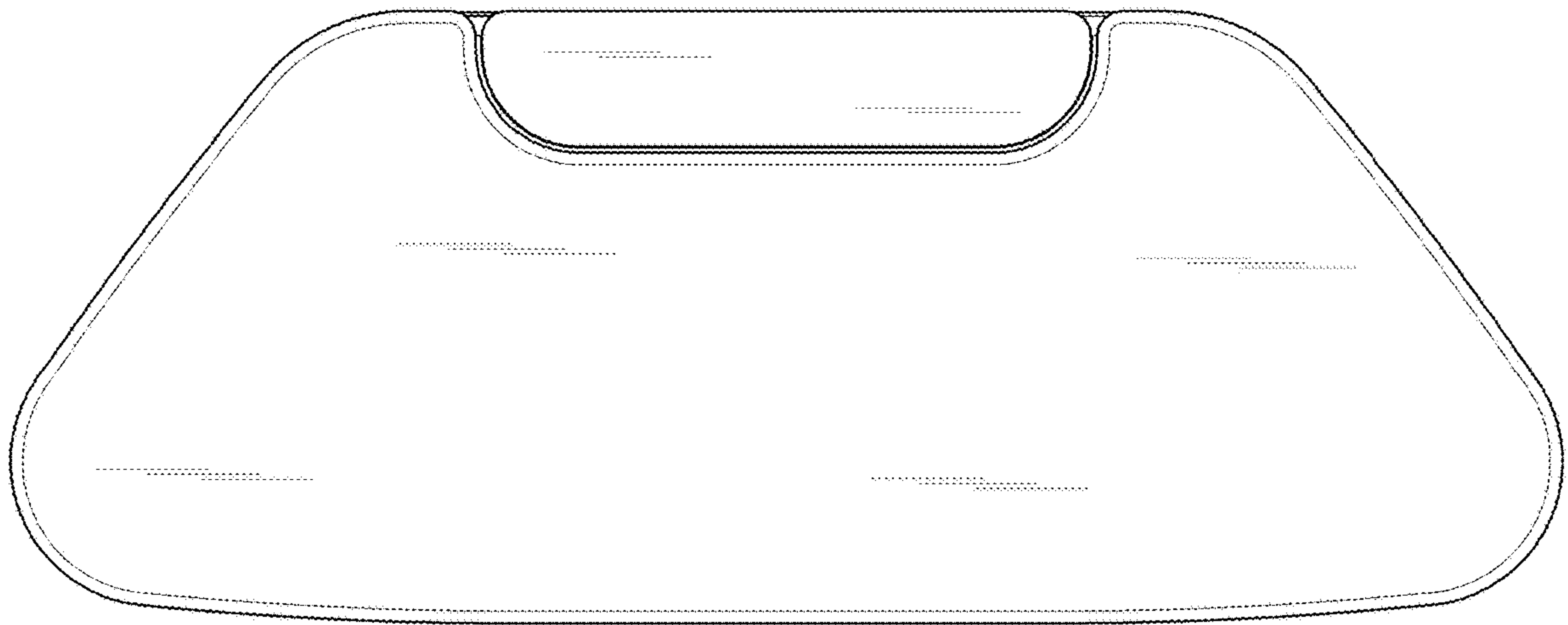


FIG. 7

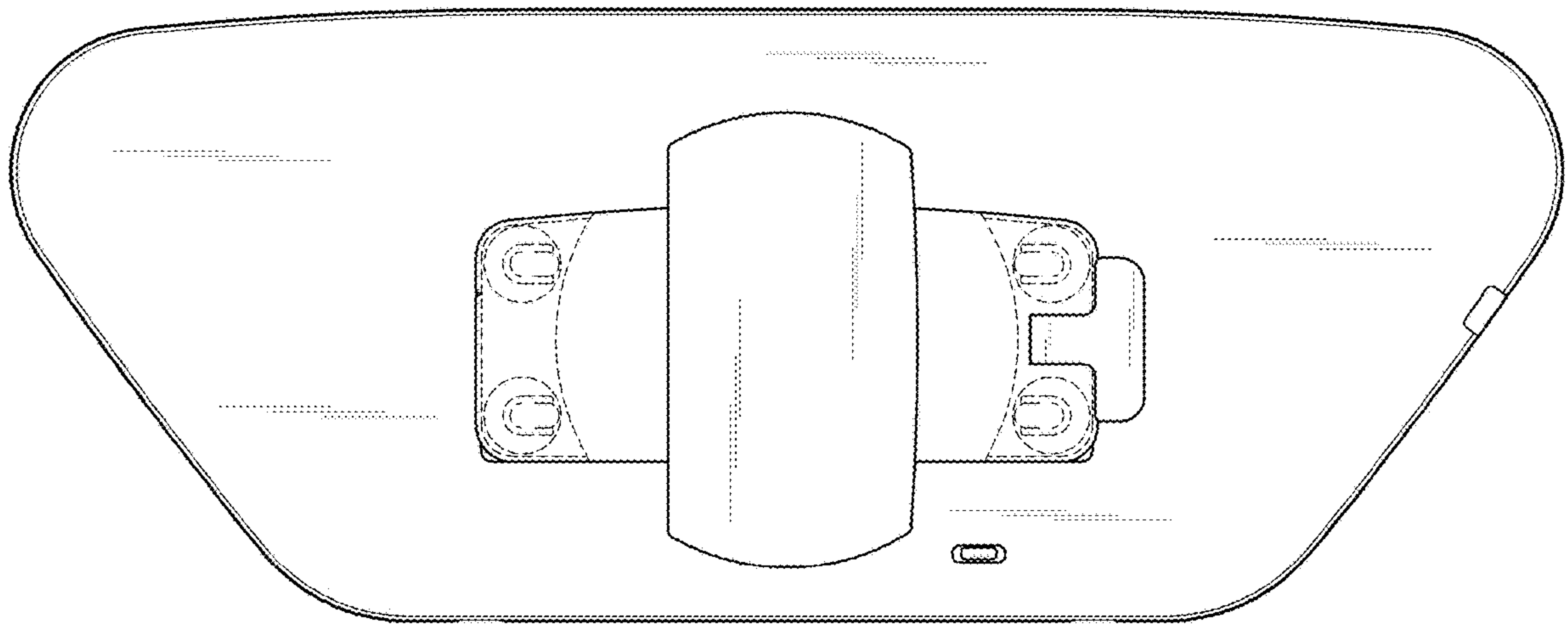


FIG. 8

