



US00D955077S

(12) **United States Design Patent**  
**Bae et al.**

(10) **Patent No.: US D955,077 S**  
(45) **Date of Patent: \*\* \*Jun. 14, 2022**

(54) **IRONING BOARD**

(71) Applicant: **LG ELECTRONICS INC.**, Seoul  
(KR)

(72) Inventors: **Jaecil Bae**, Seoul (KR); **Kyutae Park**,  
Seoul (KR); **Kyungah Lee**, Seoul (KR);  
**Hoil Jeon**, Seoul (KR); **Youngsoo Ha**,  
Seoul (KR)

(73) Assignee: **LG ELECTRONICS INC.**, Seoul  
(KR)

(\*) Notice: This patent is subject to a terminal dis-  
claimer.

(\*\*) Term: **15 Years**

(21) Appl. No.: **29/724,602**

(22) Filed: **Feb. 18, 2020**

(30) **Foreign Application Priority Data**

Aug. 19, 2019 (KR) ..... 30-2019-0039553

(51) **LOC (13) Cl.** ..... **07-05**

(52) **U.S. Cl.**  
USPC ..... **D32/66**

(58) **Field of Classification Search**

USPC ..... D32/6, 9, 35, 60, 66, 67; D21/526;  
D6/691.1, 691.3, 691.4, 559, 663, 668  
CPC ..... A47B 39/06; D06F 81/00; D06F 81/003;  
D06F 81/006; D06F 81/02; D06F 81/04;  
D06F 81/06; D06F 81/08; D06F 81/12;  
D06F 83/00; Y10S 38/02; Y10S 38/03;  
Y10T 292/305

See application file for complete search history.

(56) **References Cited**

**U.S. PATENT DOCUMENTS**

D19,852 S \* 5/1890 Hicks ..... D32/66  
D47,601 S \* 7/1915 Labadie ..... D3/274

D124,329 S \* 12/1940 Parker ..... D32/66  
D142,261 S \* 8/1945 Meyerhoefer ..... D32/66  
D159,952 S \* 9/1950 Buser ..... D32/66

(Continued)

**FOREIGN PATENT DOCUMENTS**

CN 3490017 \* 12/2005  
KR 301125779.0000 \* 9/2021

(Continued)

**OTHER PUBLICATIONS**

Homz Durabilt DX1500 Premium Steel Top Ironing Board, date  
first available Jan. 18, 2016 [online], [site visited Sep. 7, 2021],  
Available from the internet URL: [https://www.amazon.ca/dp/B016CZP1CI/ref=emc\\_b\\_5\\_i](https://www.amazon.ca/dp/B016CZP1CI/ref=emc_b_5_i) (Year: 2016).\*

(Continued)

*Primary Examiner* — Amy C Wierenga  
*Assistant Examiner* — Jennylou M Binas

(74) *Attorney, Agent, or Firm* — Birch, Stewart, Kolasch  
& Birch, LLP

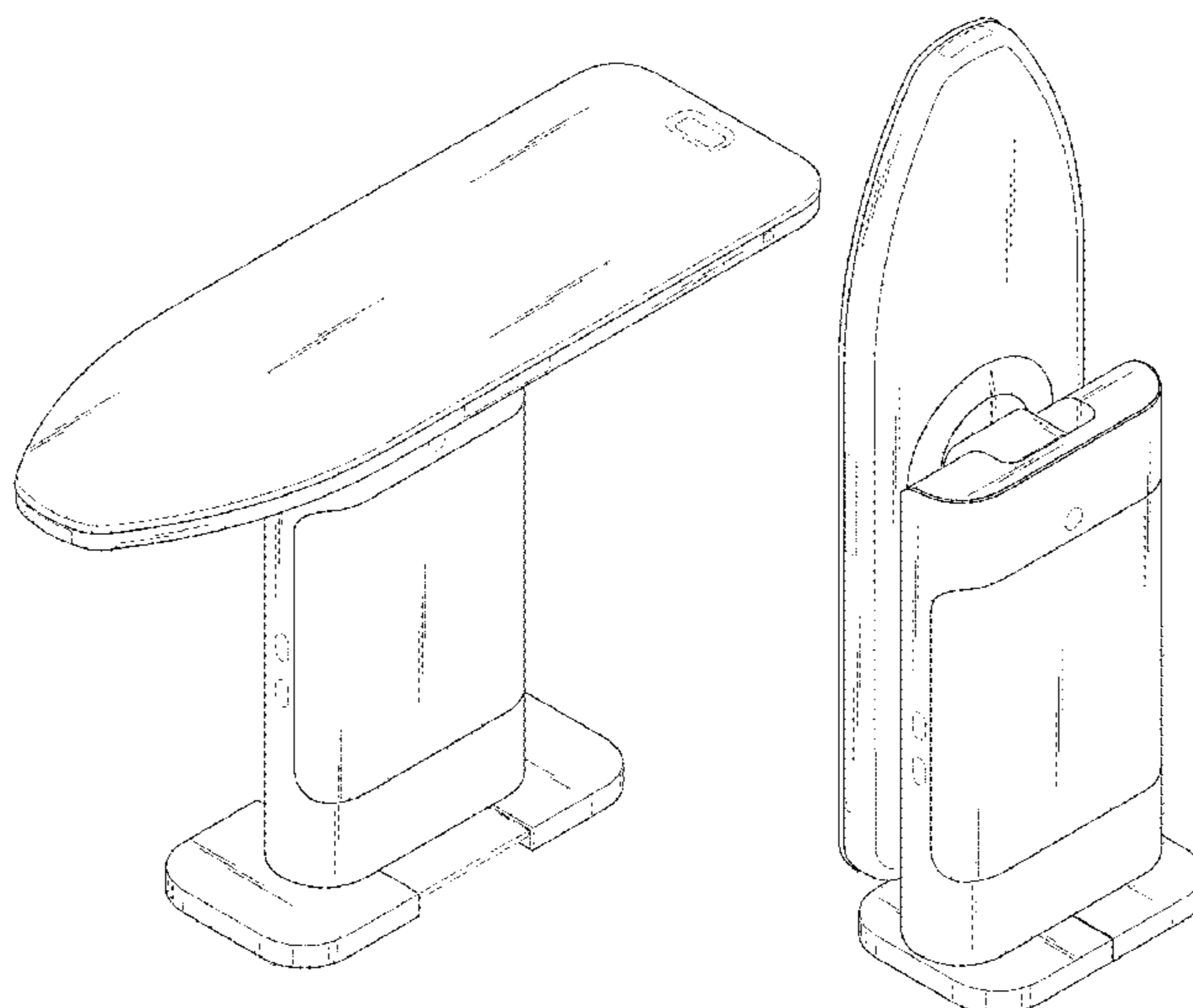
(57) **CLAIM**

We claim the ornamental design for an ironing board, as  
shown and described.

**DESCRIPTION**

FIG. 1 is a perspective view of an ironing board showing the  
new design;  
FIG. 2 is a front elevation view thereof;  
FIG. 3 is a rear elevation view thereof;  
FIG. 4 is a left-side elevation view thereof;  
FIG. 5 is a right-side elevation view thereof;  
FIG. 6 is a top plan view thereof;  
FIG. 7 is a bottom plan view thereof; and,  
FIG. 8 is a perspective view showing a folded state thereof.  
The parts shown by means of broken lines in the drawing  
figures are not part of the claimed design.

**1 Claim, 8 Drawing Sheets**



(56)

References Cited

U.S. PATENT DOCUMENTS

2,523,425 A \* 9/1950 Gargaglione ..... A47B 77/10  
 108/13  
 D167,456 S \* 8/1952 Glassie et al. .... D32/66  
 D182,902 S \* 5/1958 Kempf ..... D32/66  
 D183,468 S \* 9/1958 Turner ..... D32/66  
 D272,008 S \* 12/1983 Flory ..... D32/66  
 D413,699 S \* 9/1999 Evans ..... D32/37  
 D426,040 S \* 5/2000 Wicky ..... D32/66  
 D427,402 S \* 6/2000 Kellogg ..... D32/66  
 D434,541 S \* 11/2000 Black ..... D32/66  
 D514,766 S \* 2/2006 Manfiotto ..... D32/66  
 D520,207 S \* 5/2006 Gross ..... D32/66  
 D543,671 S \* 5/2007 Chu ..... D32/66  
 D543,672 S \* 5/2007 Chu ..... D32/66  
 D546,515 S \* 7/2007 Wicky ..... D32/66  
 D704,912 S \* 5/2014 Gameiro ..... D32/66  
 D732,771 S \* 6/2015 Chung ..... D32/25  
 D858,022 S \* 8/2019 Wang ..... D32/66  
 D937,524 S \* 11/2021 Park ..... D32/66  
 D938,123 S \* 12/2021 Bae ..... D32/66  
 D939,170 S \* 12/2021 Park ..... D32/66

FOREIGN PATENT DOCUMENTS

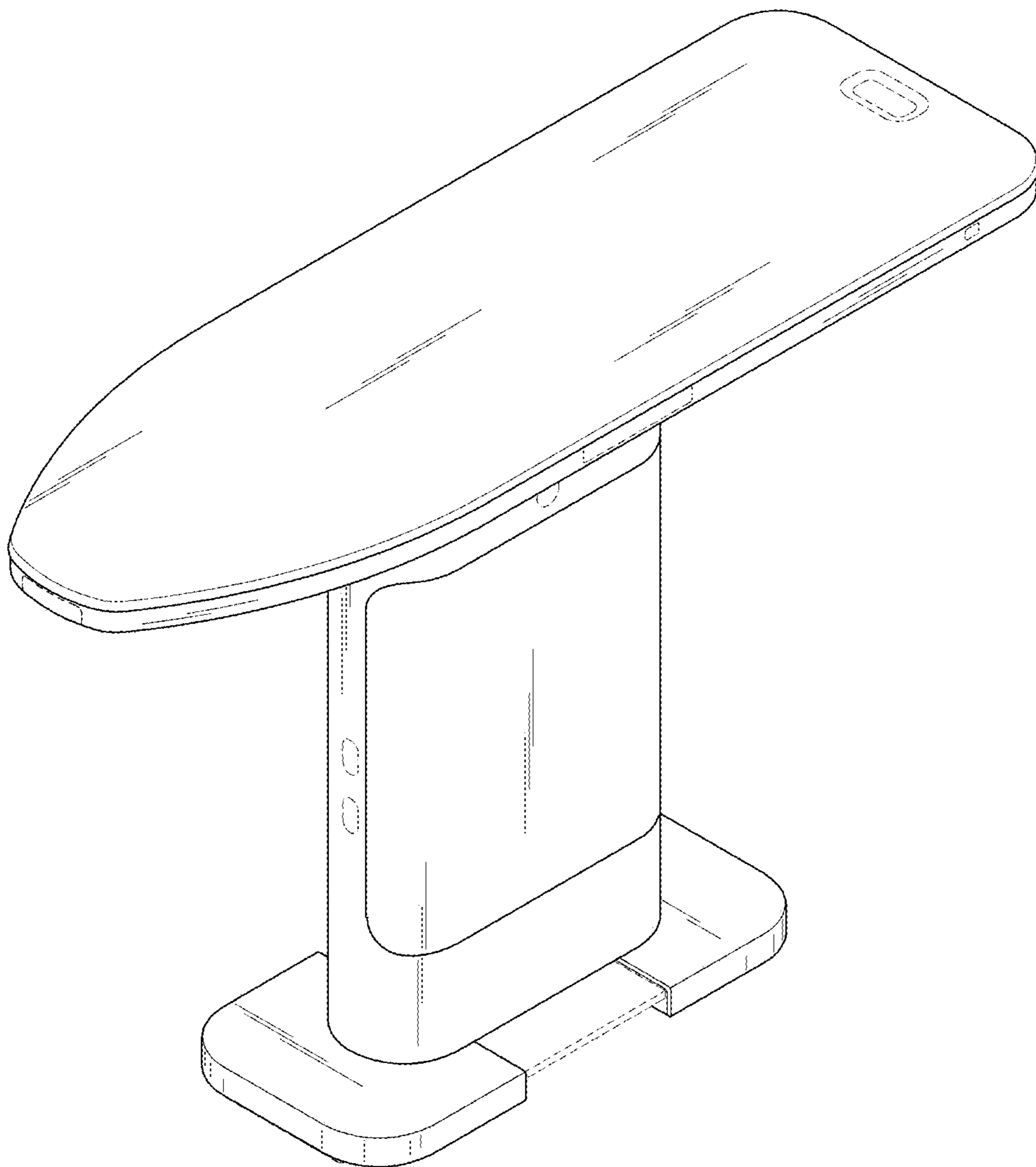
SG 2006493G-0001 \* 7/2006  
 WO D206452-001 \* 8/2021  
 WO D206463-001 \* 8/2021

OTHER PUBLICATIONS

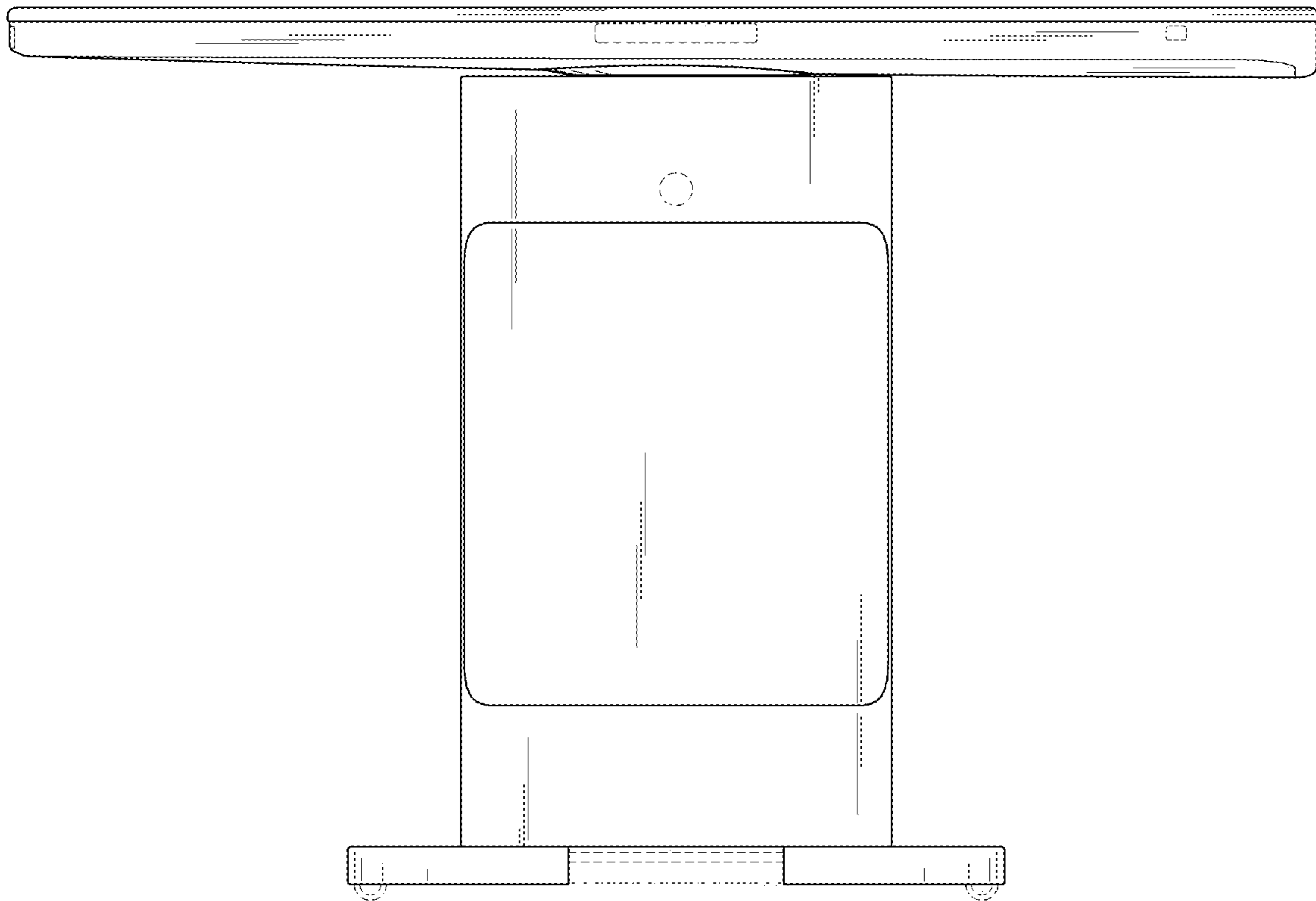
KAPAS Adjustable Garment Steamer, available in freestuff.cafe, announced May 5, 2021 [online], [site visited Sep. 9, 2021], URL: <https://freestuff.cafe/deals/kapas-adjustable-garment-steamer-accessories-for-clothes-build-in-rotatable-ironing-board-211-water-tank-8-ironing-options-for-different-clothes/> (Year: 2021).\*  
 10 Best Ironing Boards to Buy in 2021, available in www.goodhousekeeping.com, announced May 4, 2021 [online], [site visited Nov. 16, 2020], Internet URL: <https://www.goodhousekeeping.com/home-products/g36343446/best-ironing-board/> (Year: 2021).\*  
 Miele B3847 Fashionmaster Ironing System, date 1st available Mar. 9, 2017[online],[site visited Sep. 9, 2021], Available from the internet URL: [https://www.amazon.ca/Miele-B3847-Fashionmaster-Ironing-System/dp/B01N705TG5/ref=sr\\_1\\_1?dchild=1&keywords=Miele+FashionMaster+Ironing+System&qid=1631218268&sr=8-1](https://www.amazon.ca/Miele-B3847-Fashionmaster-Ironing-System/dp/B01N705TG5/ref=sr_1_1?dchild=1&keywords=Miele+FashionMaster+Ironing+System&qid=1631218268&sr=8-1) (Year: 2017).\*

\* cited by examiner

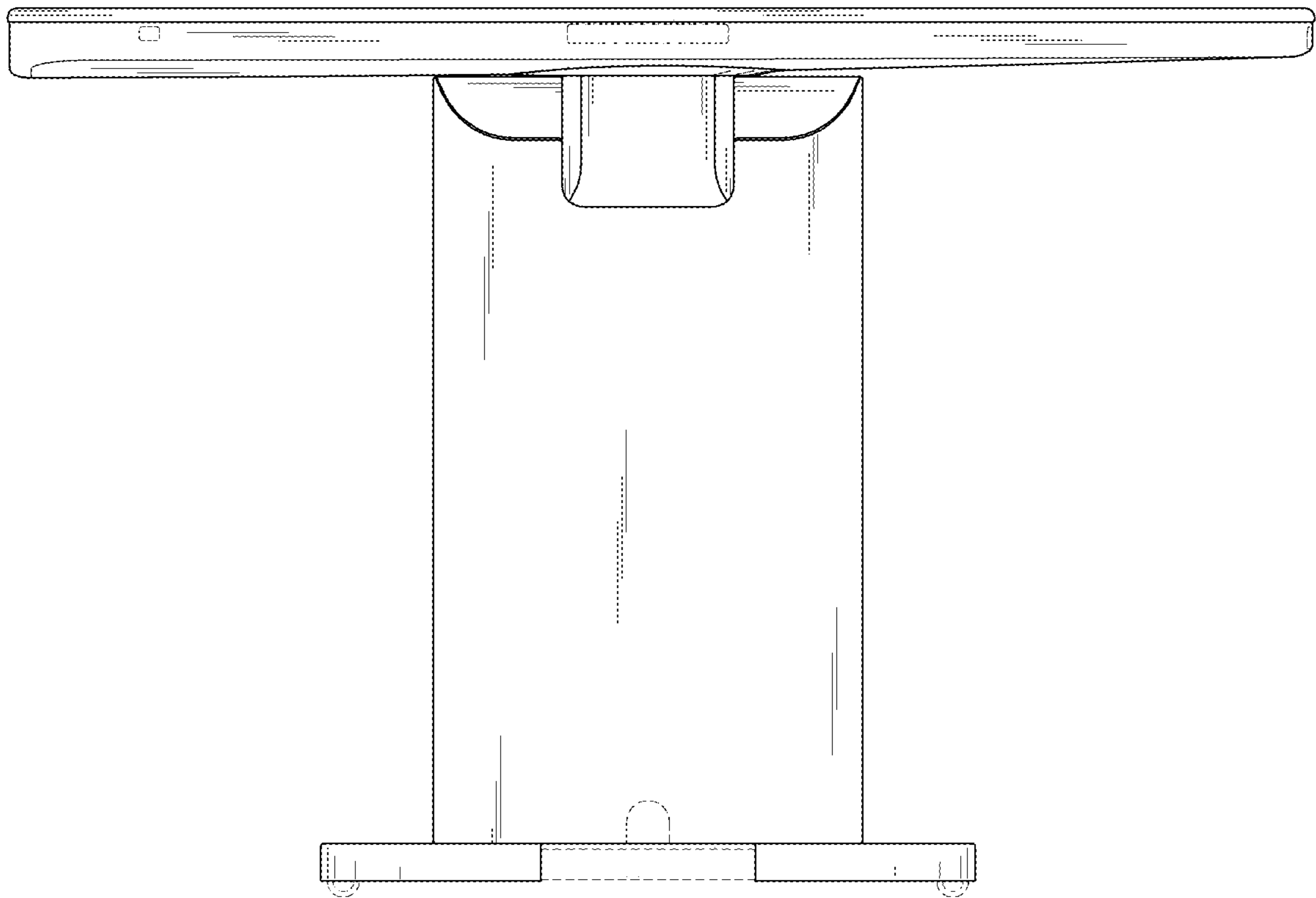
*FIG. 1*



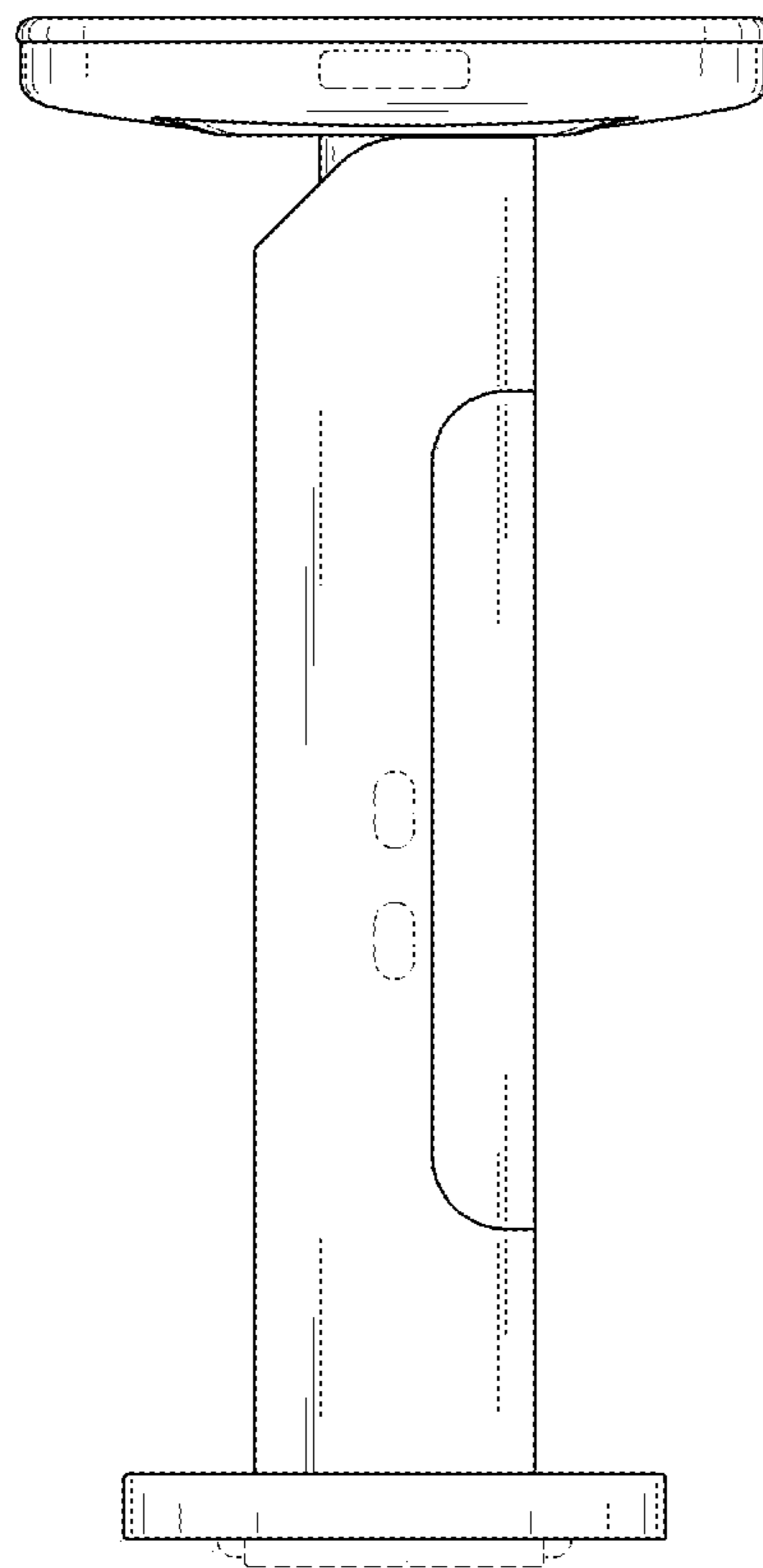
*FIG. 2*



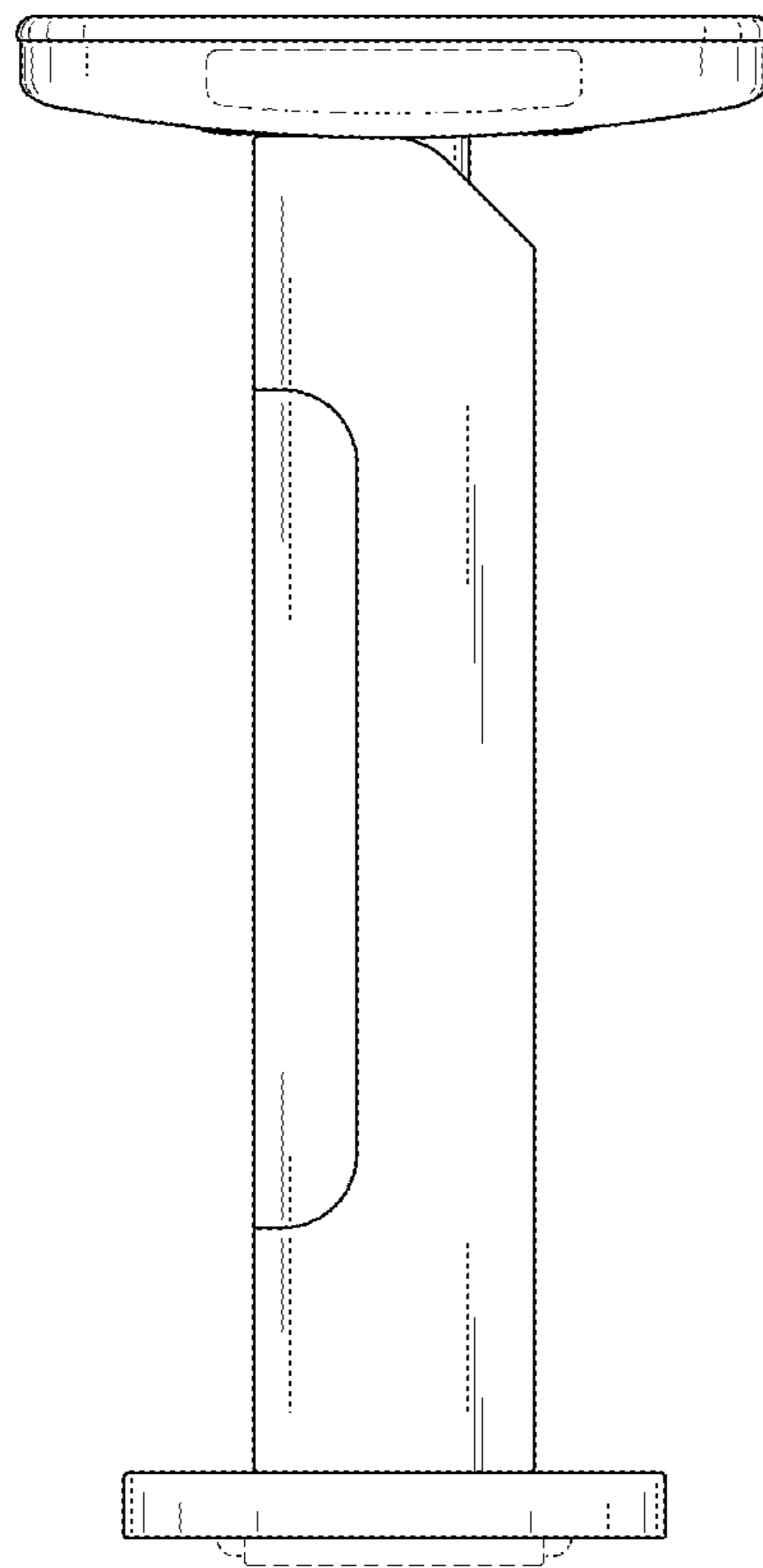
*FIG. 3*



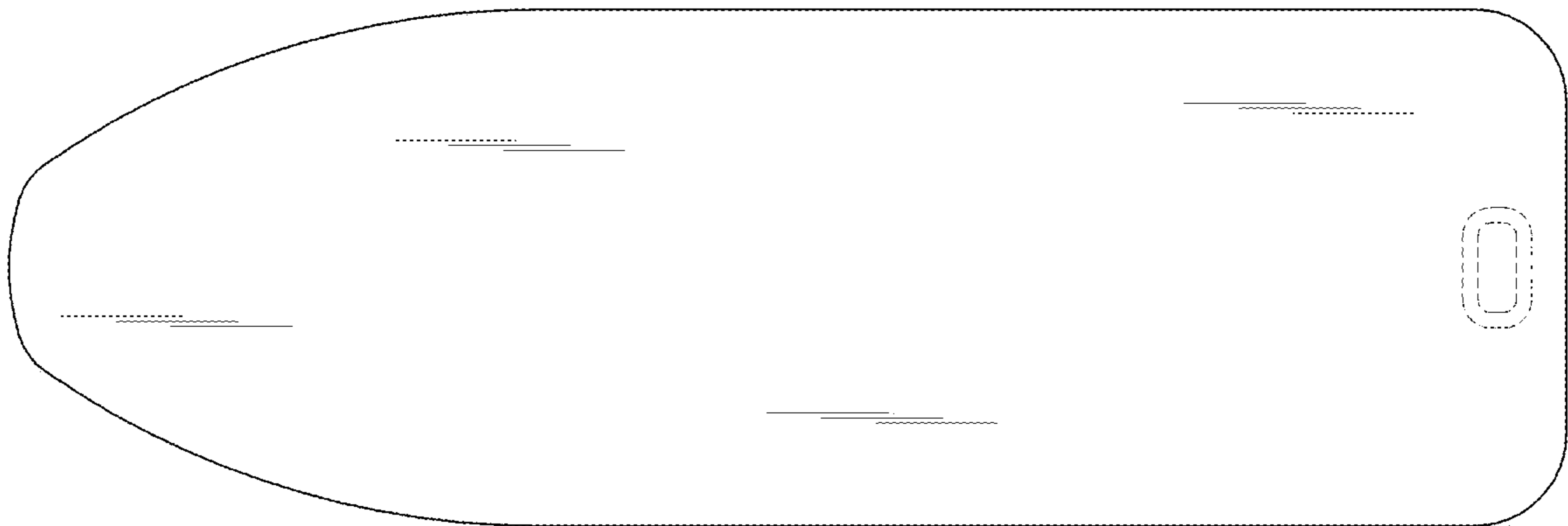
*FIG. 4*



*FIG. 5*

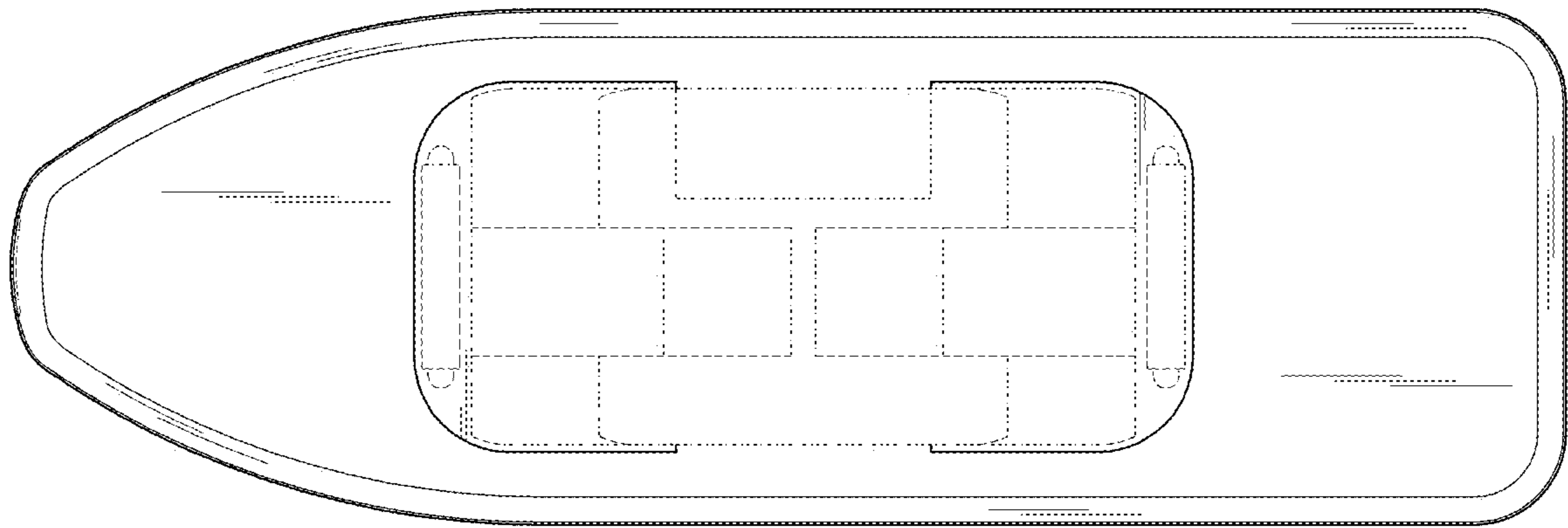


*FIG. 6*





*FIG. 7*



*FIG. 8*

