



US00D955076S

(12) **United States Design Patent**
Wood

(10) **Patent No.:** **US D955,076 S**
(45) **Date of Patent:** **** Jun. 14, 2022**

(54) **FOLDABLE DISH DRYING RACK WITH
REMOVABLE UTENSIL HOLDER**

DESCRIPTION

(71) Applicant: **Zak Wood**, Santa Monica, CA (US)

(72) Inventor: **Zak Wood**, Santa Monica, CA (US)

(**) Term: **15 Years**

(21) Appl. No.: **29/746,787**

(22) Filed: **Aug. 17, 2020**

(51) **LOC (13) Cl.** **07-05**

(52) **U.S. Cl.**
USPC **D32/55**

(58) **Field of Classification Search**
USPC D6/525; D30/133; D32/55-59

(Continued)

(56) **References Cited**

U.S. PATENT DOCUMENTS

1,008,124 A * 11/1911 Dudley A47L 19/04
D32/55

D252,251 S 7/1979 Lundahl
(Continued)

FOREIGN PATENT DOCUMENTS

CN 303427741 * 11/2015

OTHER PUBLICATIONS

amazon.co.uk Relaxdays Cross Dish Drainer with Cutlery Basket
https://www.amazon.co.uk/Relaxdays-Cross-Drainer-Cutlery-Basket/dp/B01LYV5H72/ref=sr_1_6 (Year: 2016).*

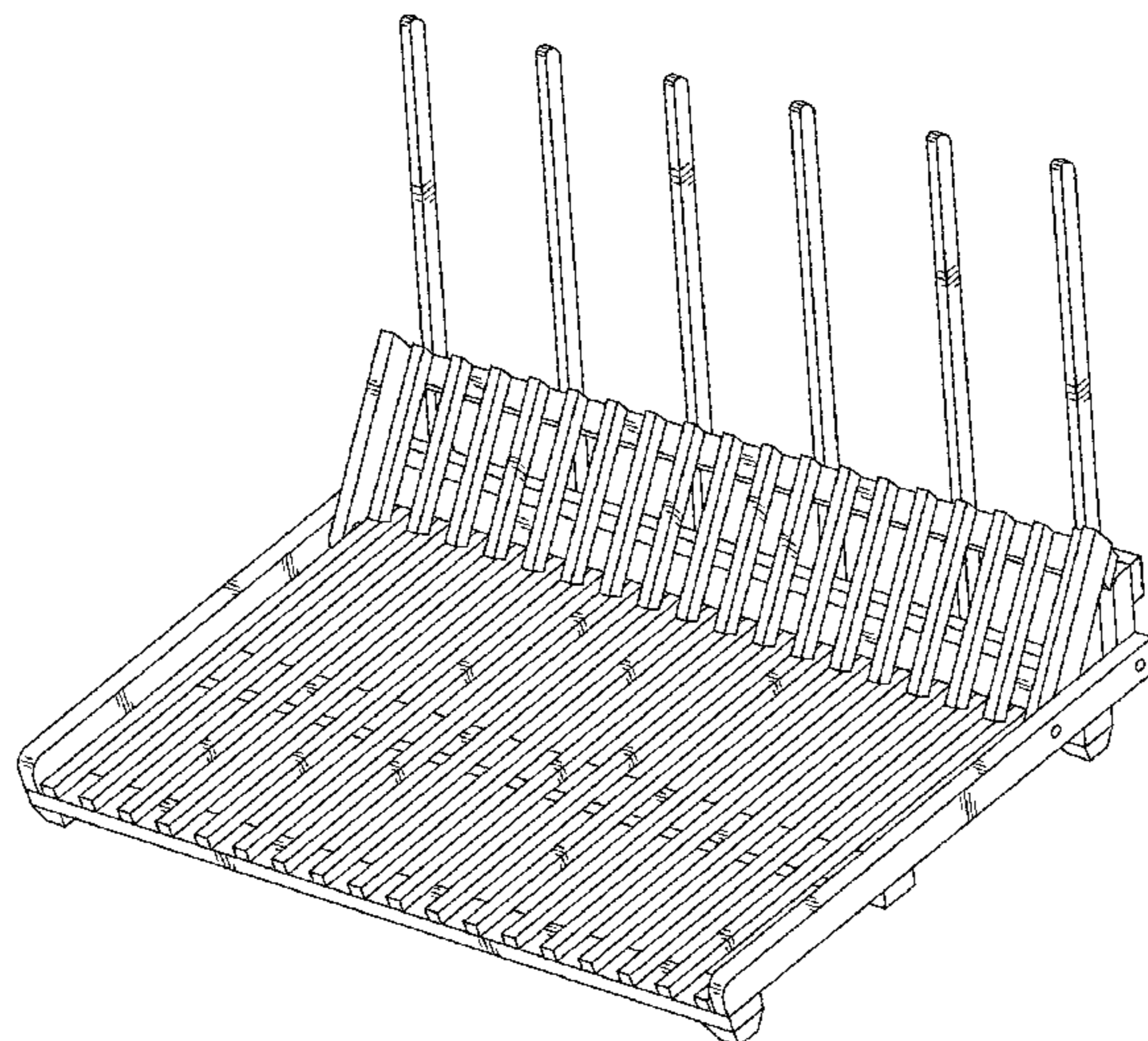
Primary Examiner — Michelle E. Wilson
Assistant Examiner — Richard E Yenchesky

(57) **CLAIM**

I claim the ornamental design for a foldable dish drying rack with a removable utensil holder, as shown and described.

FIG. 1 is a perspective view of my foldable dish drying rack shown in an unfolded condition;
FIG. 2 is a front elevational view thereof in the unfolded condition;
FIG. 3 is a rear elevational view thereof in the unfolded condition;
FIG. 4 is a side elevational view thereof in the unfolded condition;
FIG. 5 is a top plan view thereof in the unfolded condition;
FIG. 6 is a bottom plan view thereof in the unfolded condition;
FIG. 7 is a front elevational view of thereof in a folded condition;
FIG. 8 is a rear elevational view thereof in the folded condition;
FIG. 9 is a side elevational view thereof in the folded condition;
FIG. 10 is a perspective view of my foldable dish drying rack in an unfolded condition with my removable utensil holder on a left side thereof;
FIG. 11 is a perspective view of my foldable dish drying rack in an unfolded condition with my removable utensil holder of a right side thereof;
FIG. 12 is a perspective view of my removable utensil holder in accordance with my new design;
FIG. 13 is a front elevational view of my removable utensil holder shown in FIG. 12;
FIG. 14 is a rear elevational view of my removable utensil holder shown in FIG. 12;
FIG. 15 is a left side elevational view of my removable utensil holder shown in FIG. 12;
FIG. 16 is a right side elevational view of my removable utensil holder shown in FIG. 12;
FIG. 17 is a top plan view of my removable utensil holder shown in FIG. 12;
FIG. 17A is a cross-sectional view of my removable utensil holder taken along lines 17A-17A of FIG. 17;
FIG. 18 is a bottom plan view of my removable utensil holder shown in FIG. 12; and,
FIG. 19 is a perspective view of my foldable dish drying rack with removable utensil holder in an exemplary use condition.

1 Claim, 12 Drawing Sheets



(58) **Field of Classification Search**
 CPC A47L 19/00; A47L 19/02; A47L 17/00;
 A47L 17/04; A47J 47/20; A47J 2201/00;
 A47J 47/00; B65D 35/02
 See application file for complete search history.

(56) **References Cited**

U.S. PATENT DOCUMENTS

D252,440 S * 7/1979 Hamilton D32/55
 4,169,638 A * 10/1979 Cirsuolo A47L 19/04
 211/41.6
 4,212,400 A * 7/1980 Buchsteiner A47L 19/04
 211/41.6
 D259,537 S * 6/1981 Taylor D32/55
 4,328,899 A * 5/1982 Krusche A47L 19/04
 D6/683
 D267,517 S * 1/1983 Krusche D32/55
 D342,343 S 12/1993 Slivko
 D347,717 S * 6/1994 Chapin D32/55

D369,002 S * 4/1996 Pratt D32/55
 5,641,137 A * 6/1997 Collier F26B 25/18
 211/12
 6,170,676 B1 * 1/2001 Patadia A47L 19/04
 211/41.6
 6,272,827 B1 * 8/2001 Hsu A01D 7/10
 56/400.17
 7,344,036 B2 * 3/2008 Jerstroem A47L 19/04
 211/41.6
 D634,909 S * 3/2011 Guthrie D32/55
 8,925,742 B1 * 1/2015 Chitayat A47L 19/04
 211/41.6
 10,362,867 B2 * 7/2019 Williams A47F 5/13
 D858,021 S 8/2019 Li
 D921,317 S * 6/2021 Wood D32/58
 11,103,121 B1 * 8/2021 Wood A47L 19/04
 2008/0149644 A1 * 6/2008 Piacenza A47L 19/04
 220/571
 2008/0283480 A1 * 11/2008 Segall A47L 19/04
 211/41.6

* cited by examiner

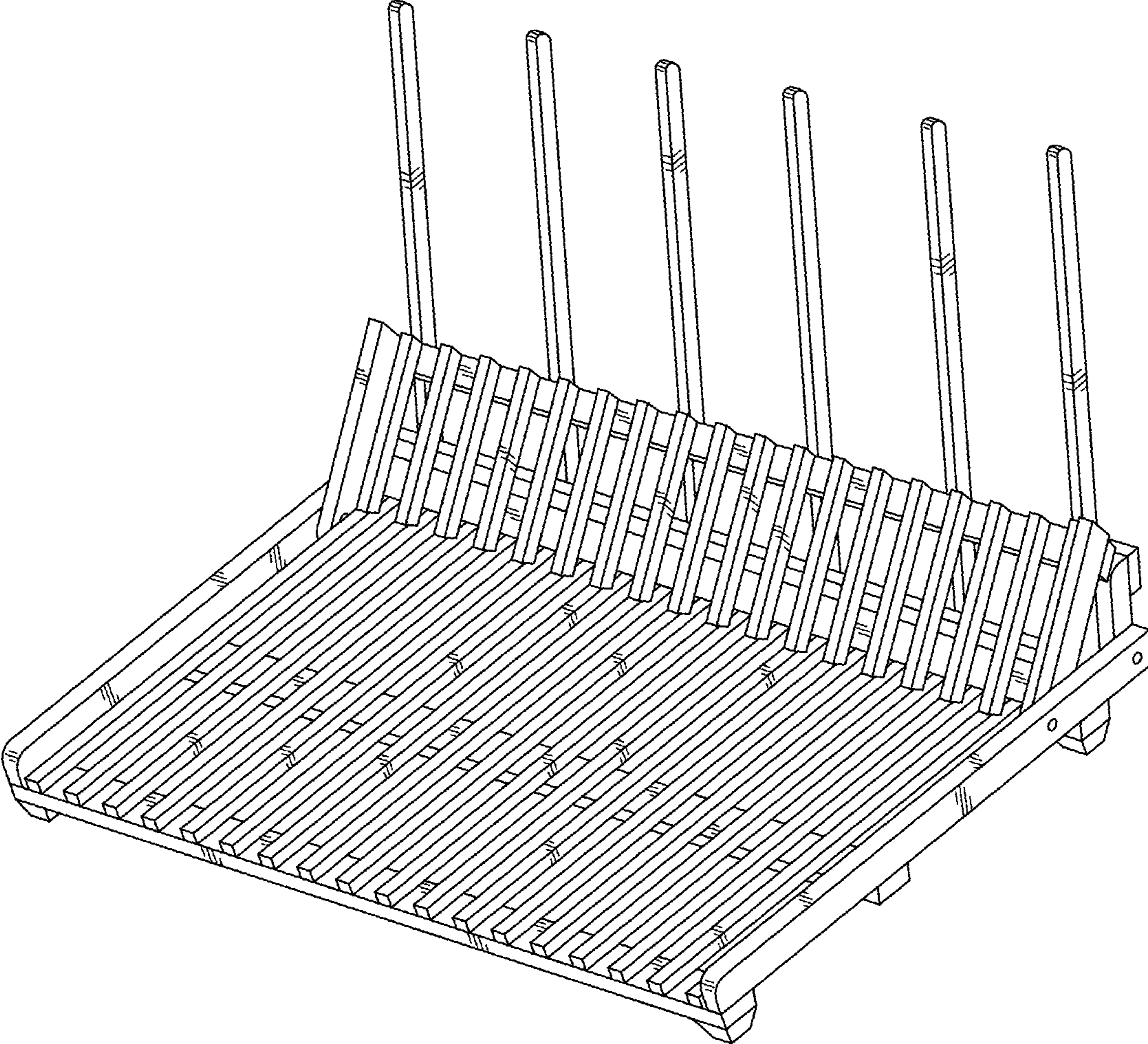


FIG. 1

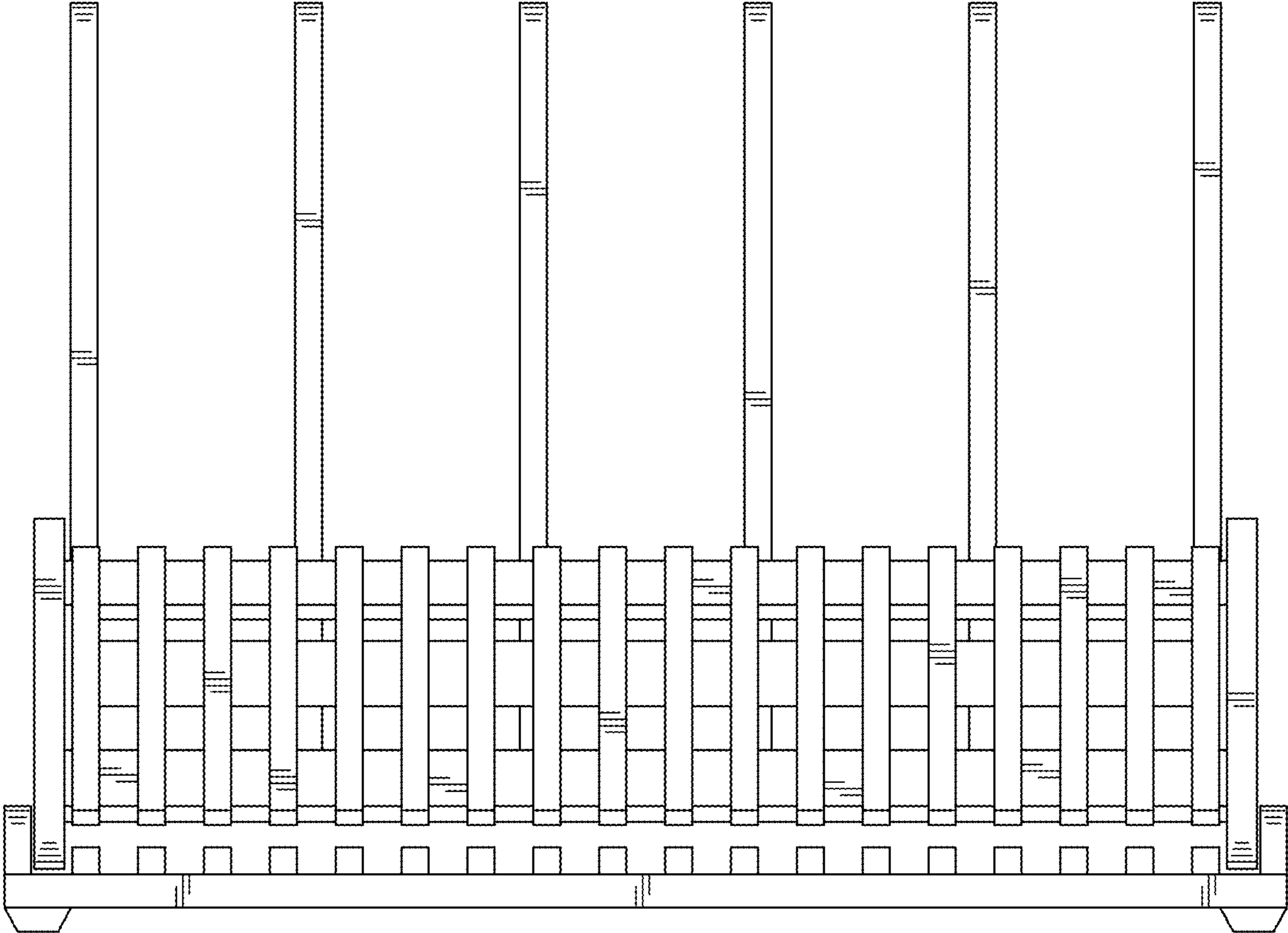


FIG. 2

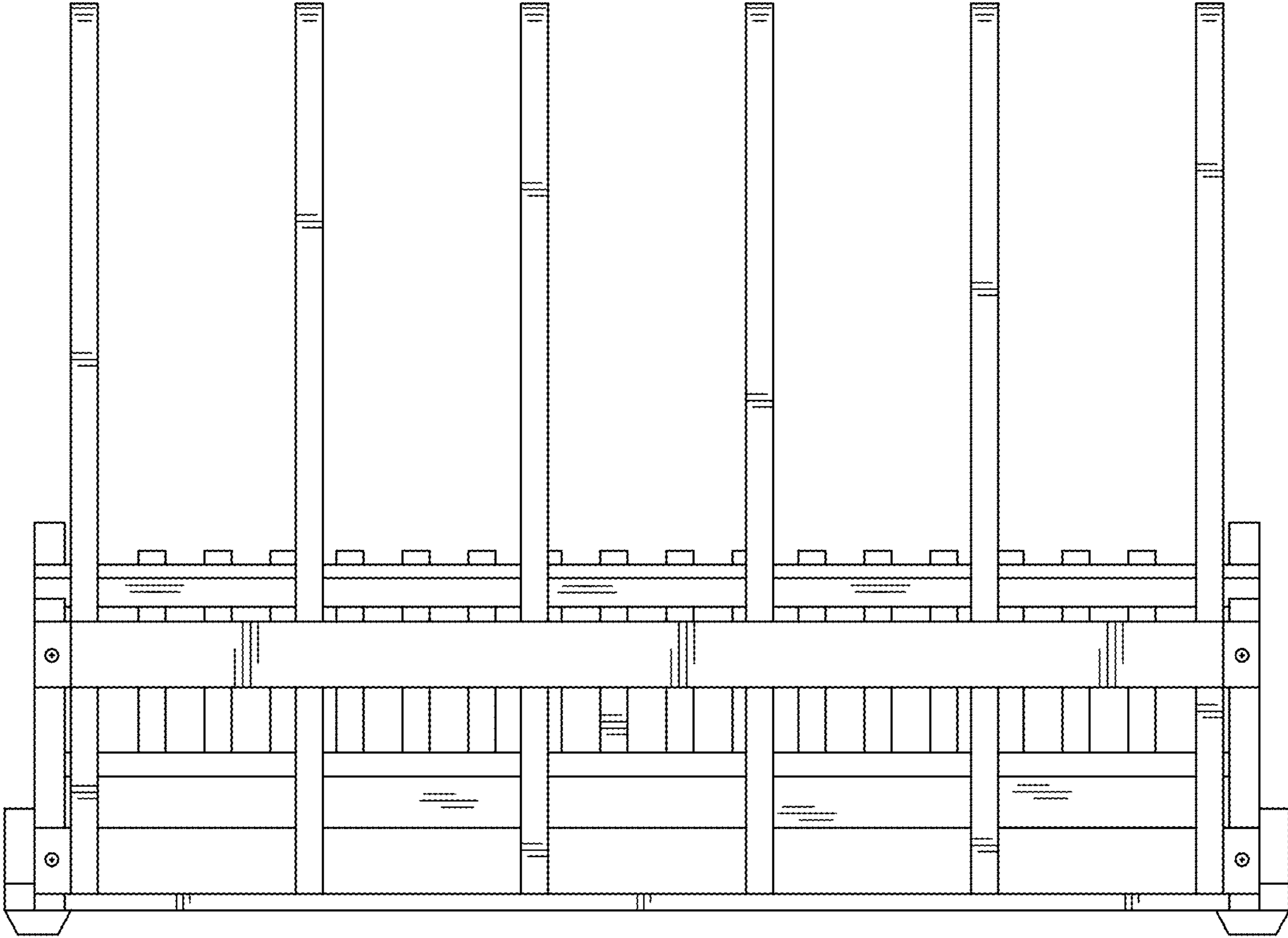


FIG. 3

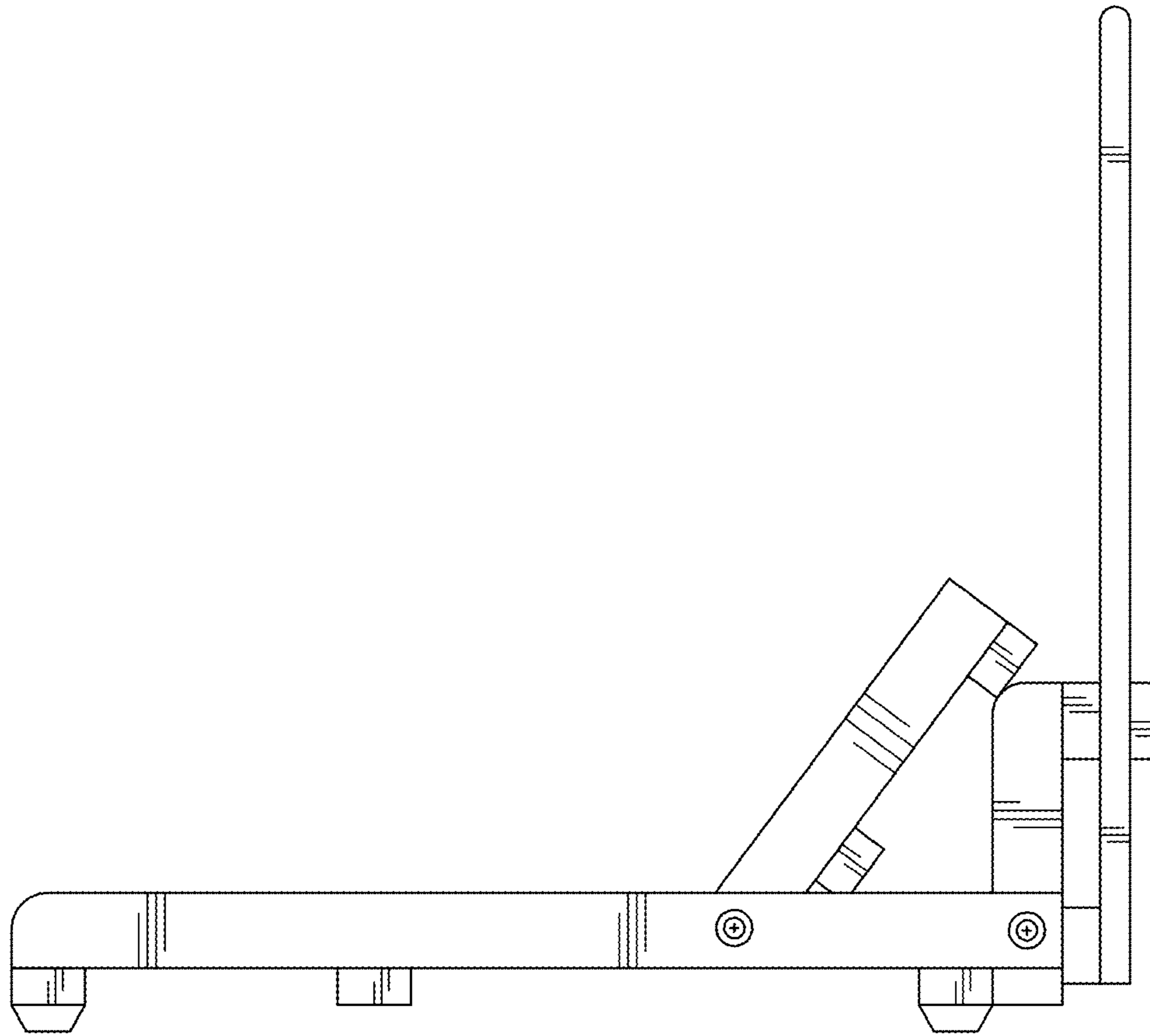


FIG. 4

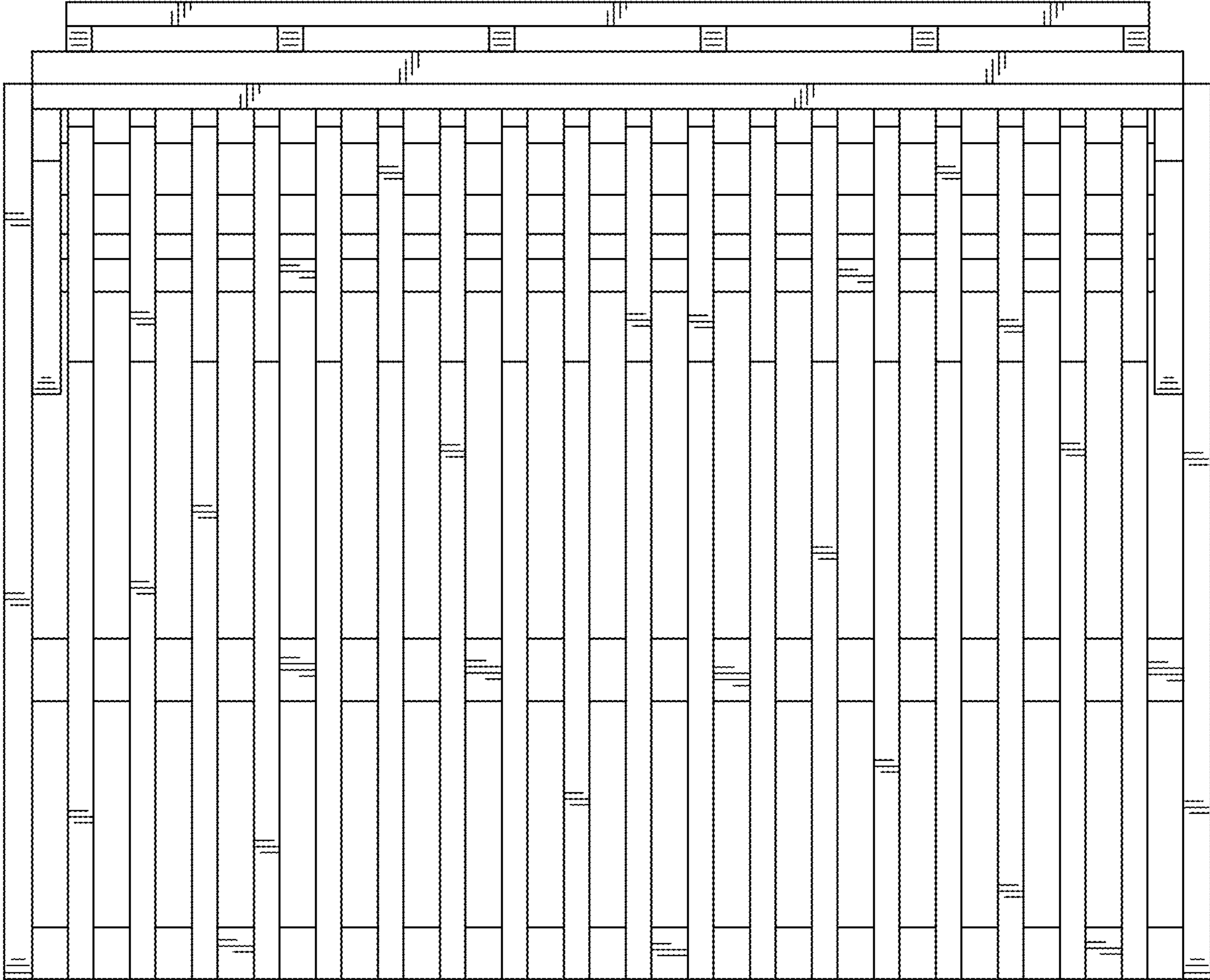


FIG. 5

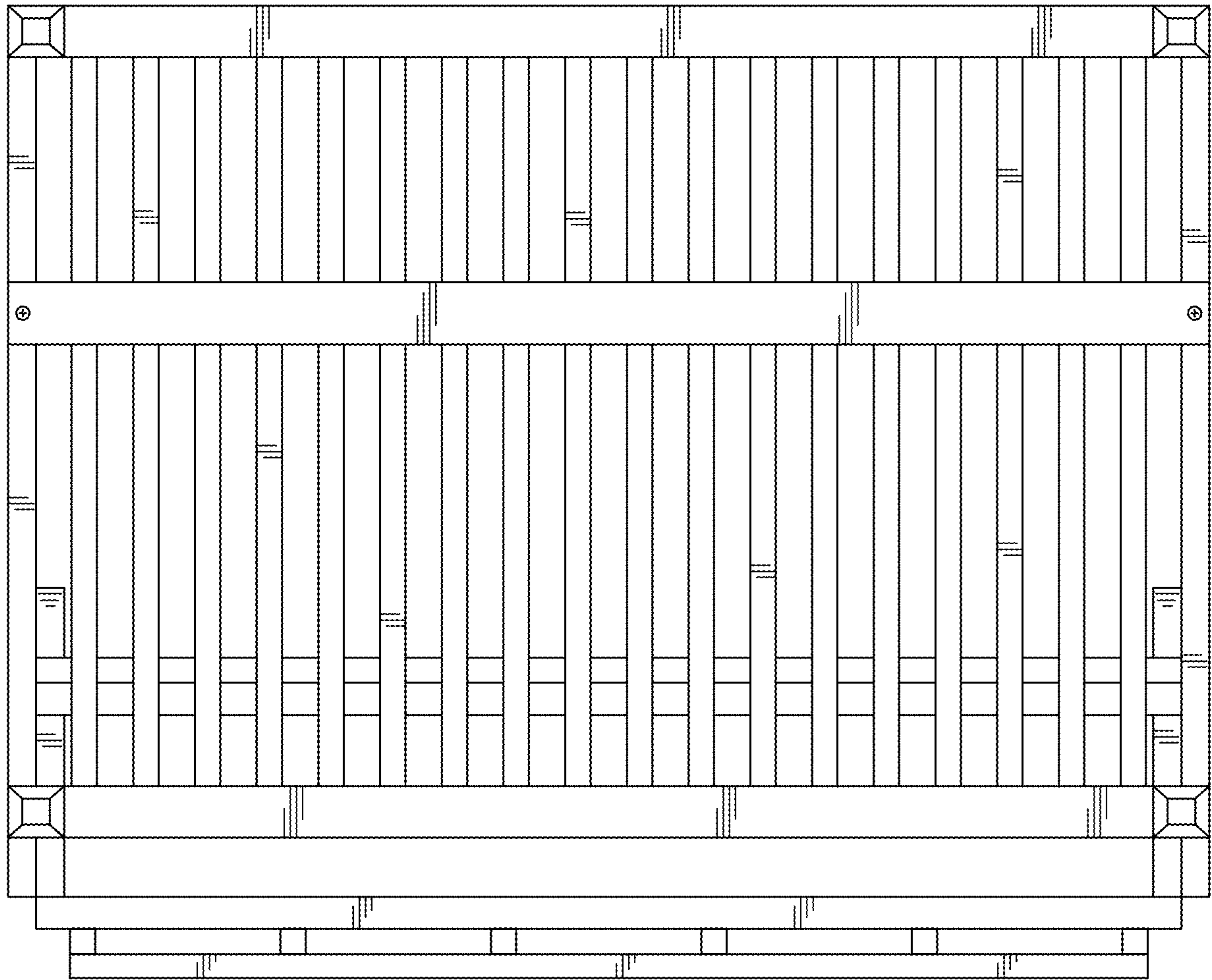


FIG. 6

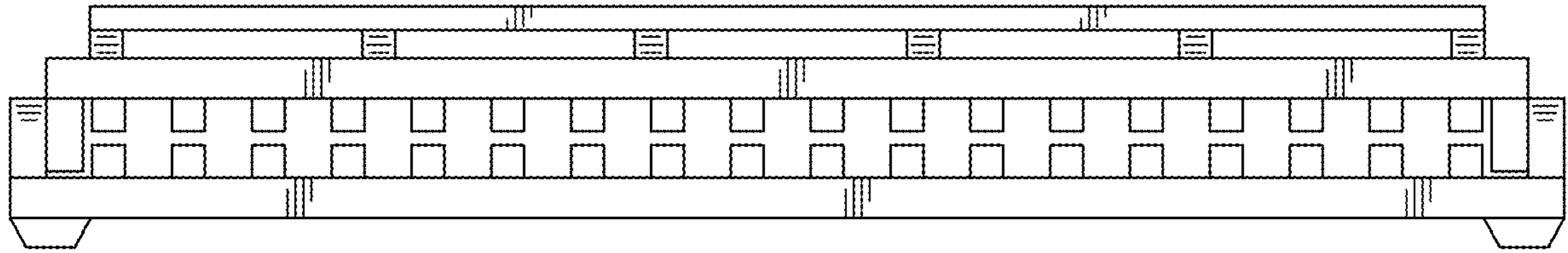


FIG. 7

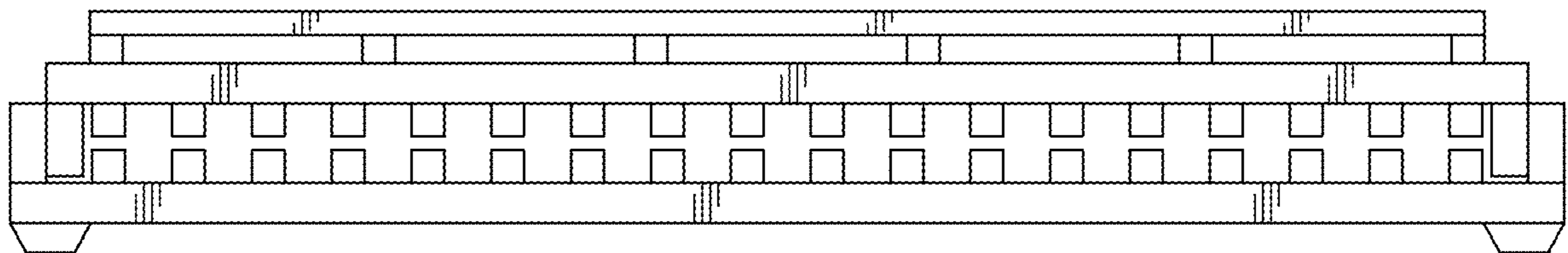


FIG. 8

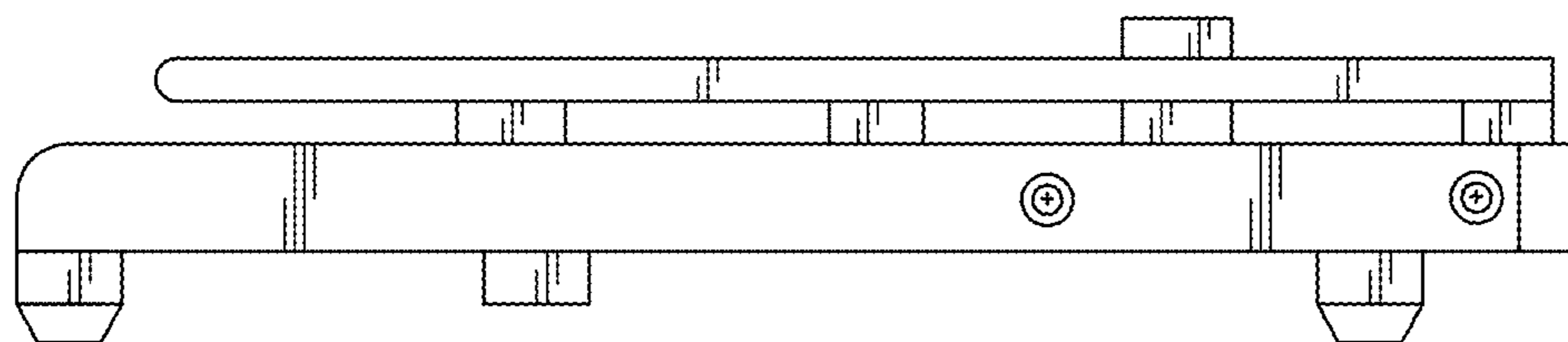


FIG. 9

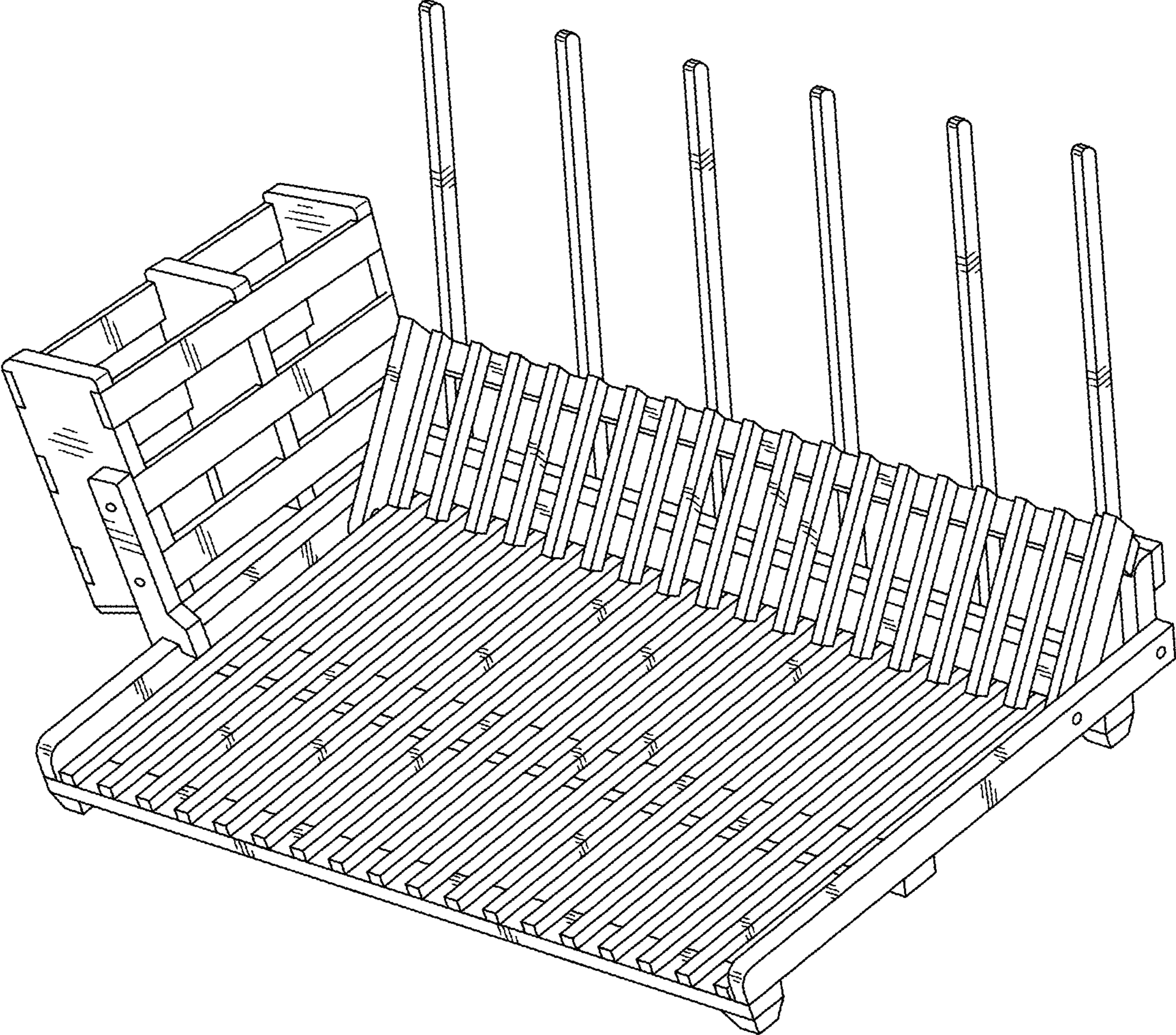


FIG. 10

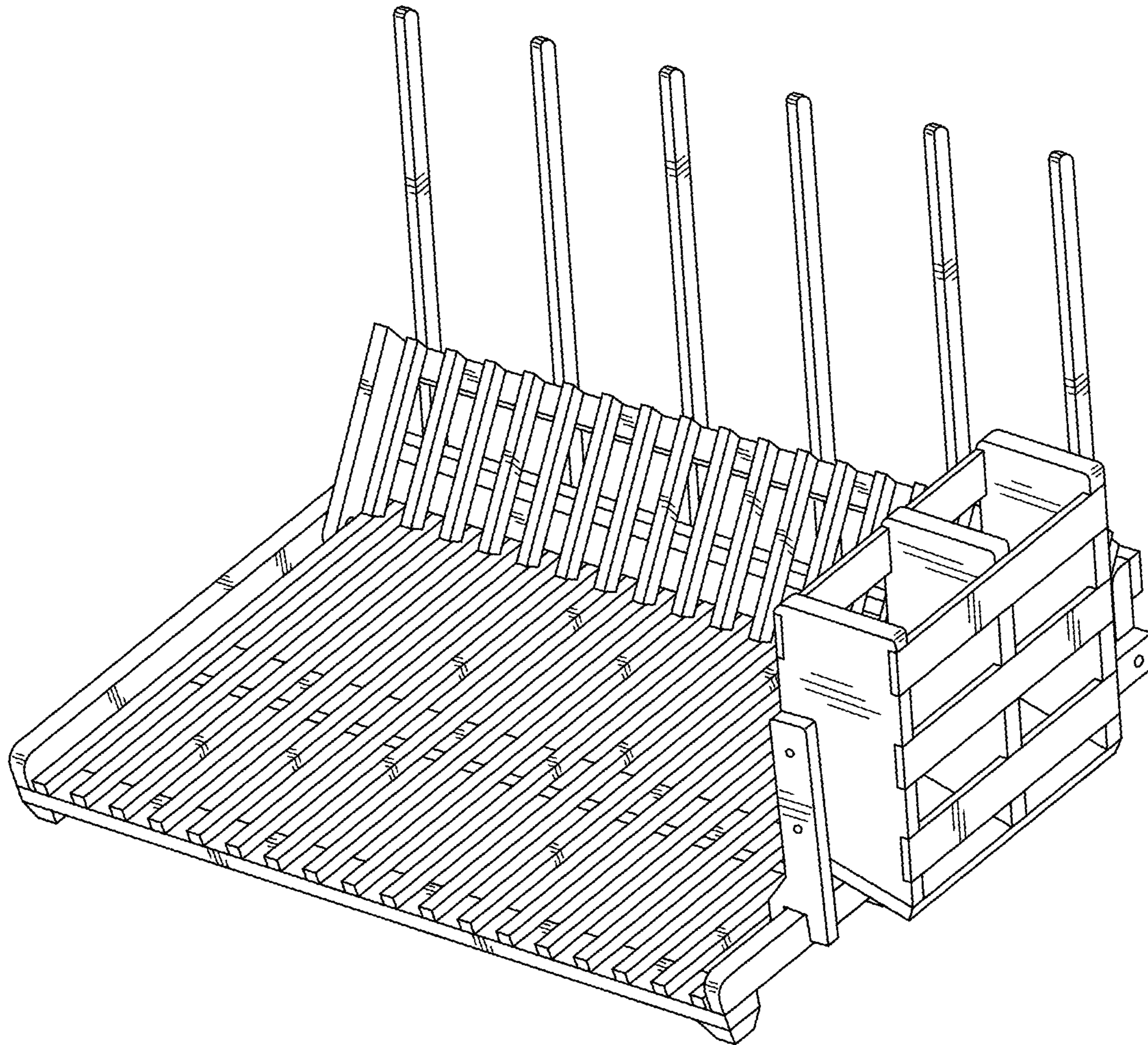


FIG. 11

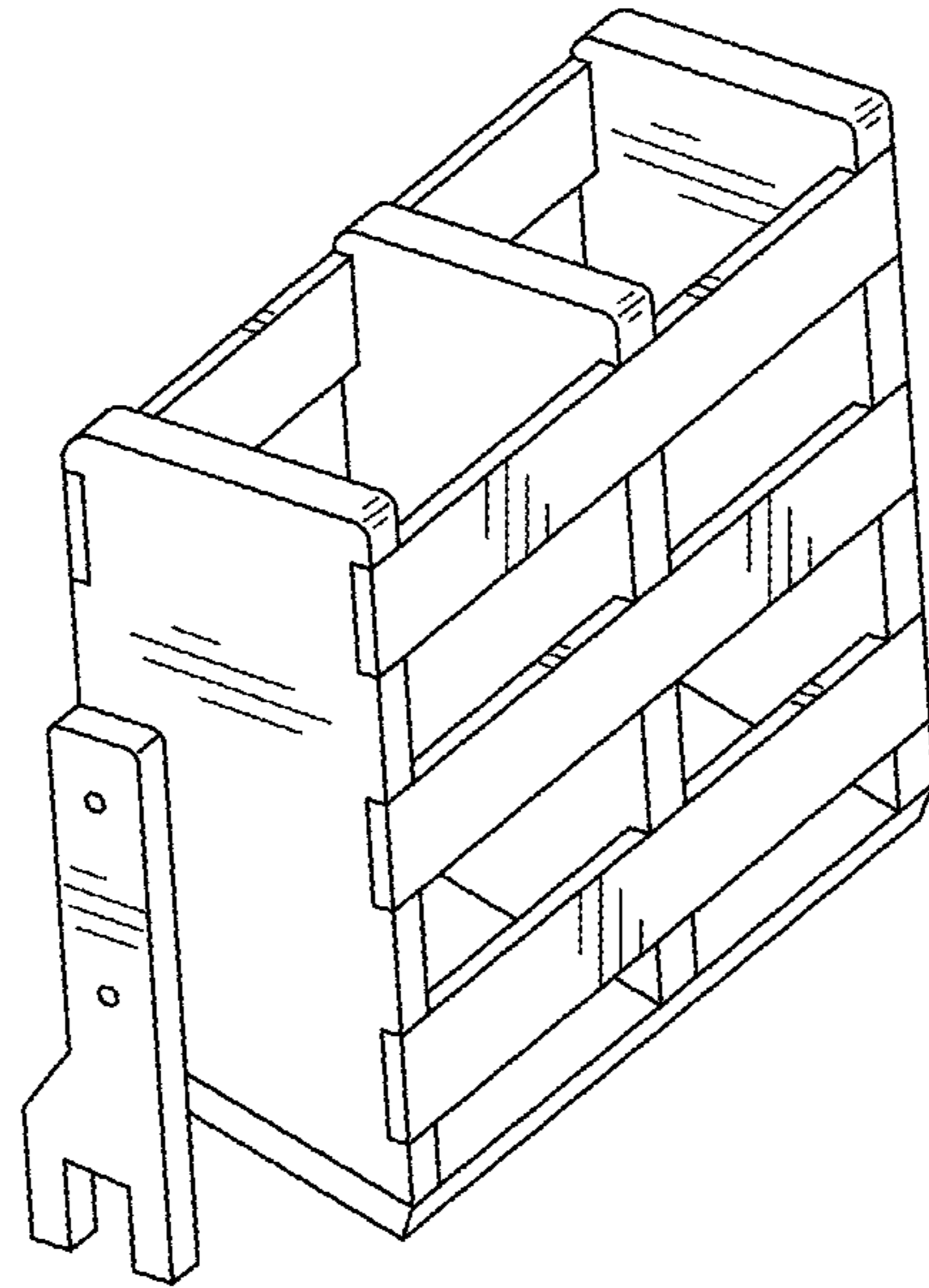


FIG. 12

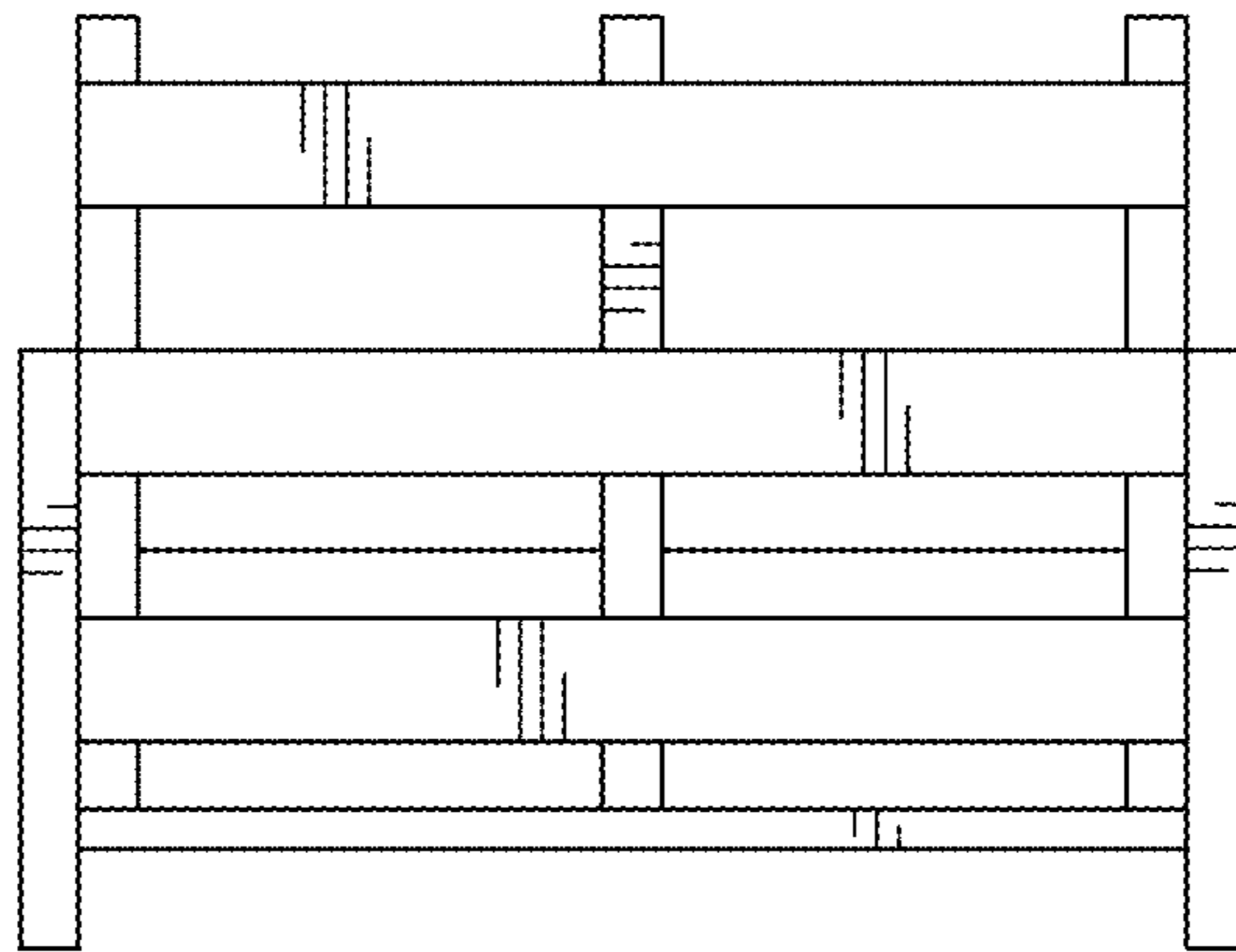


FIG. 13

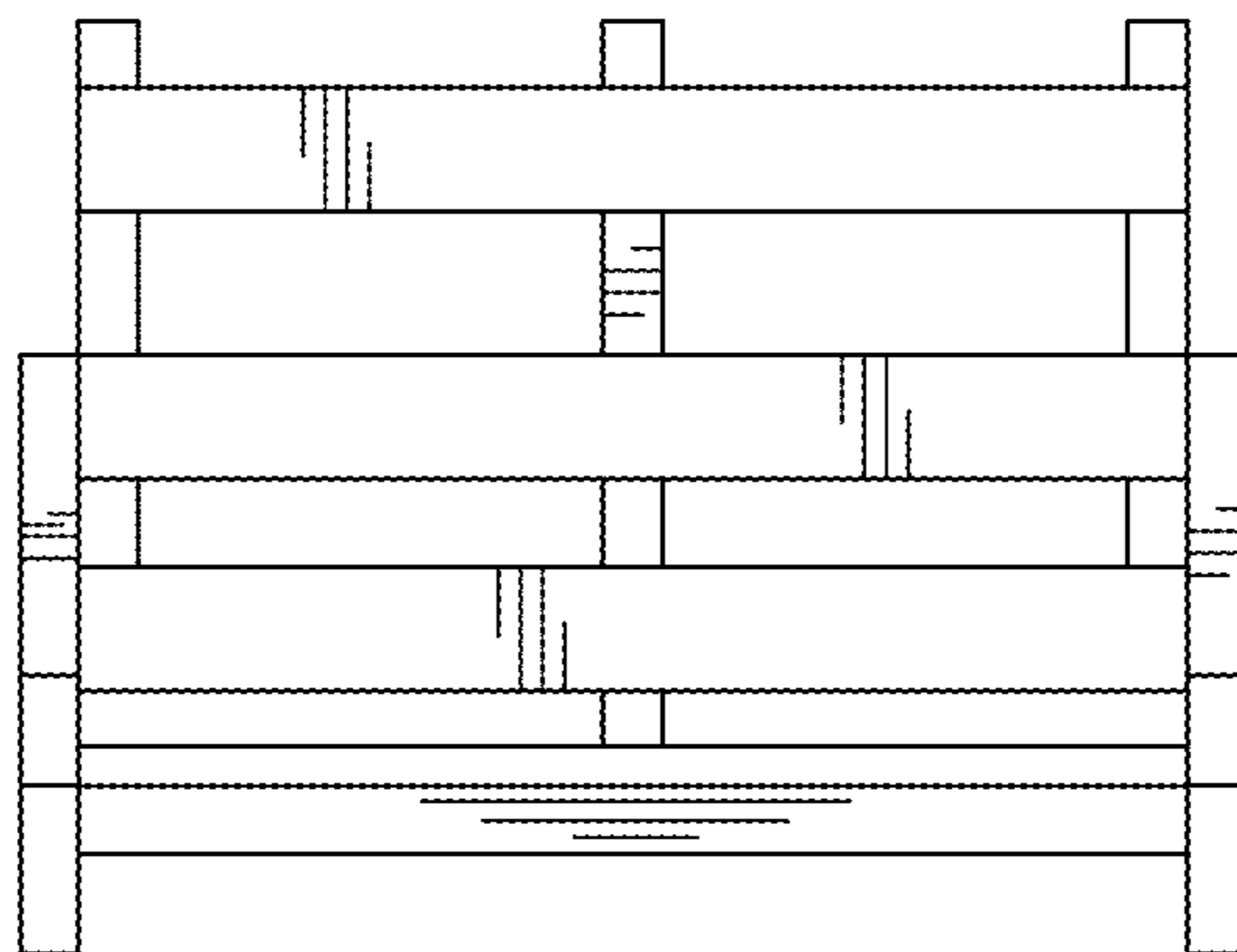


FIG. 14

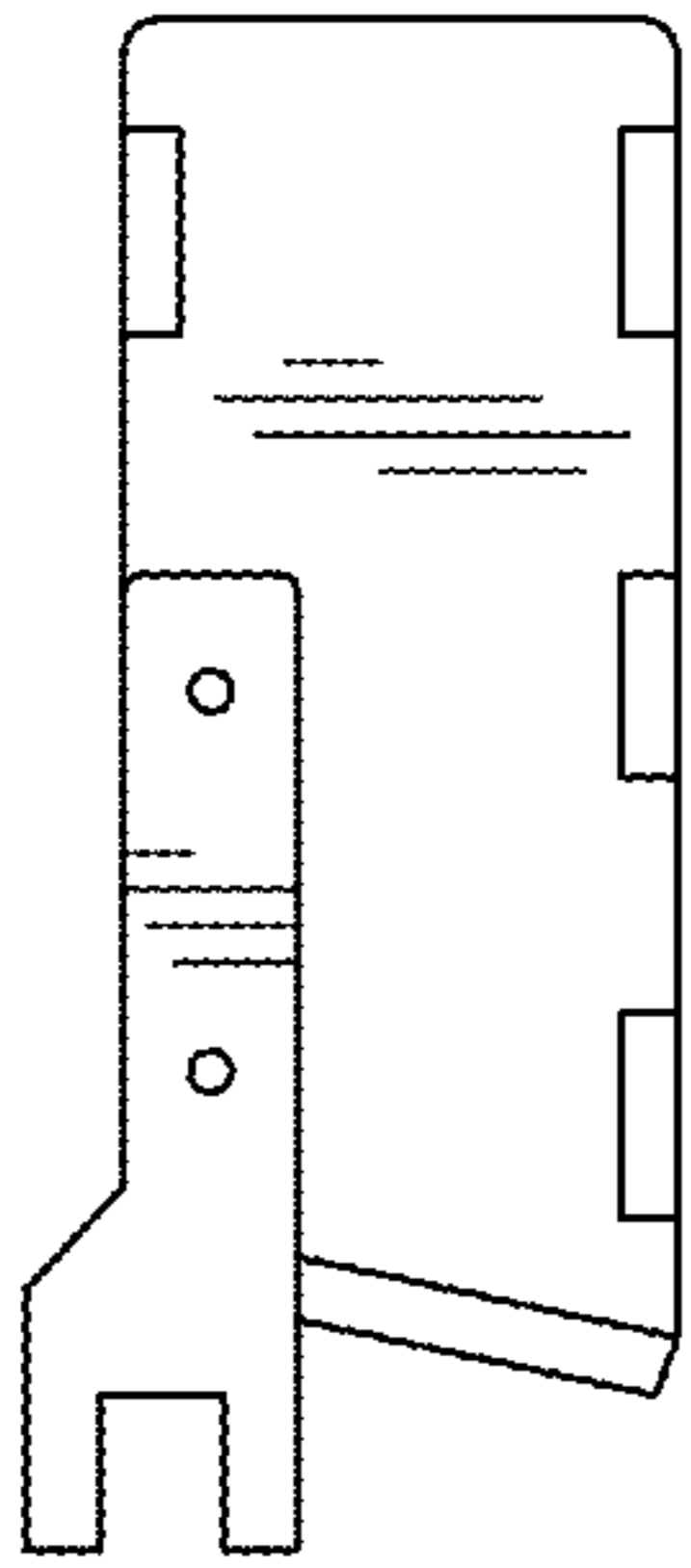


FIG. 15

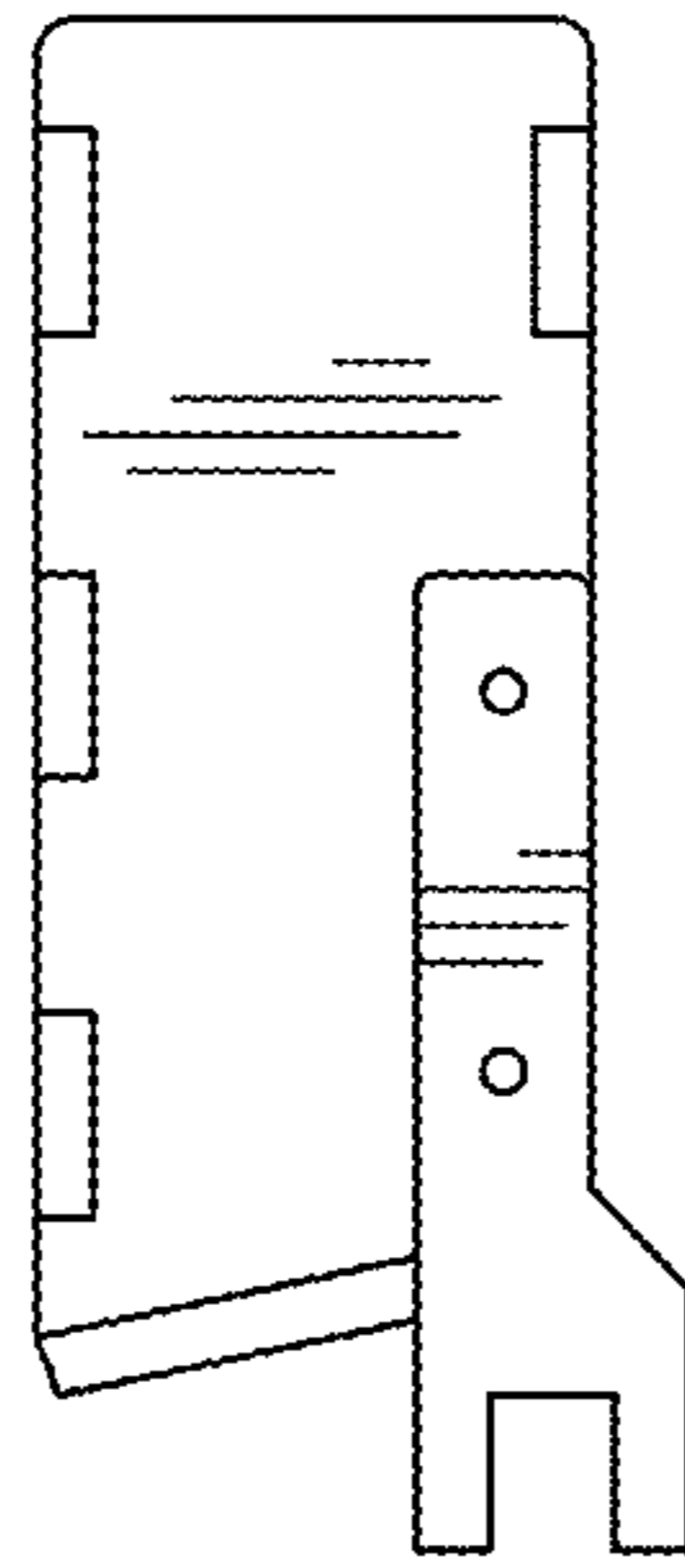


FIG. 16

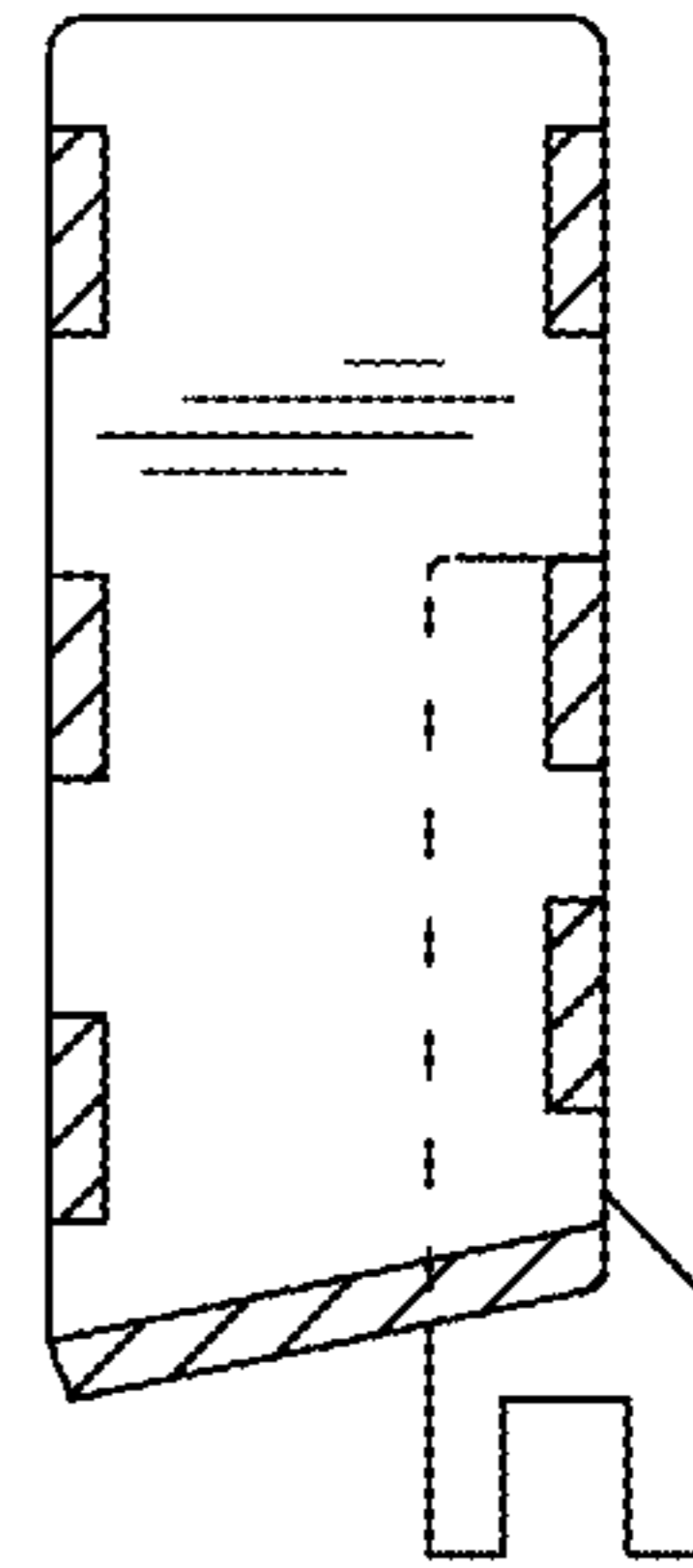


FIG. 17A

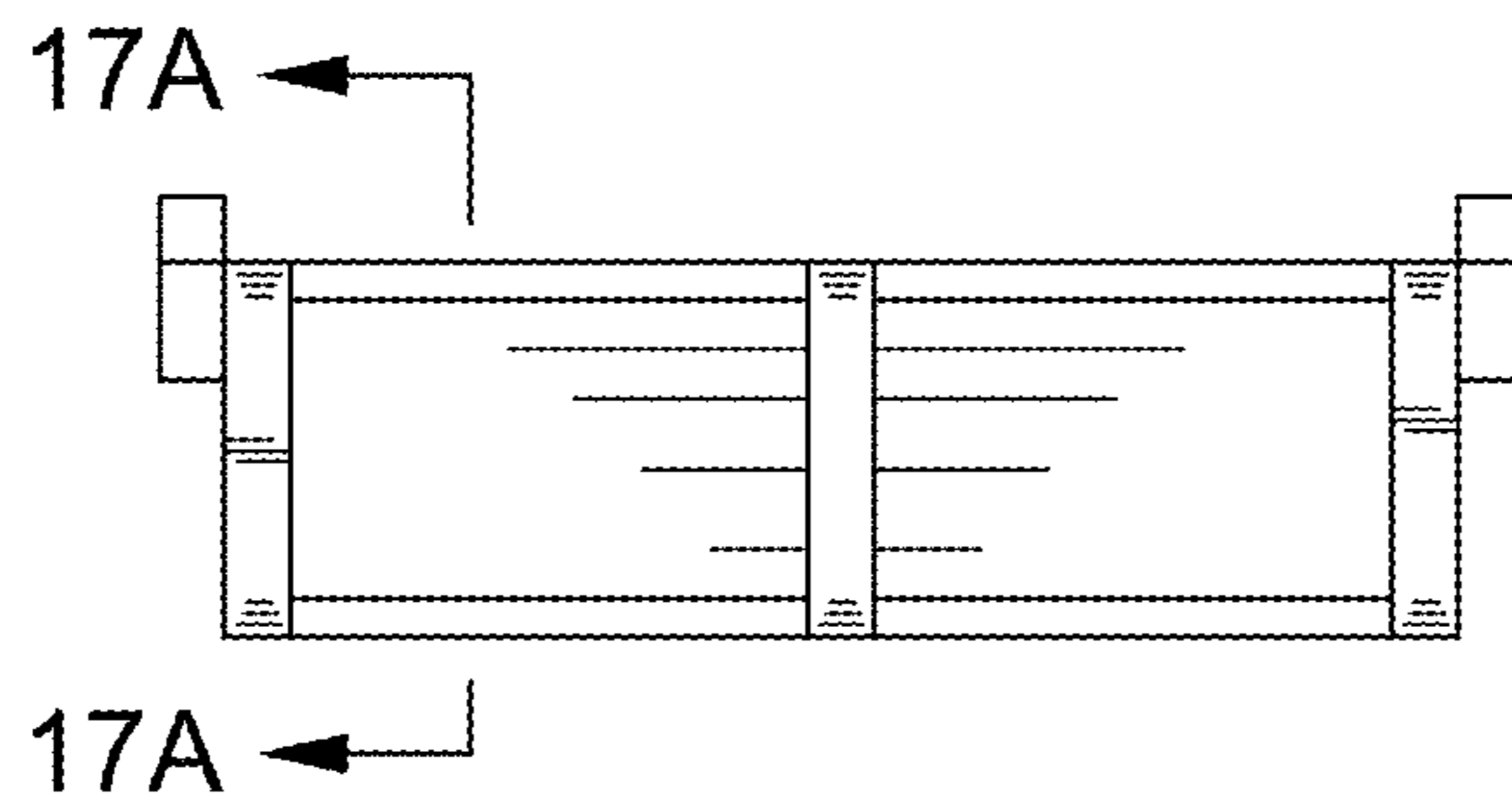


FIG. 17

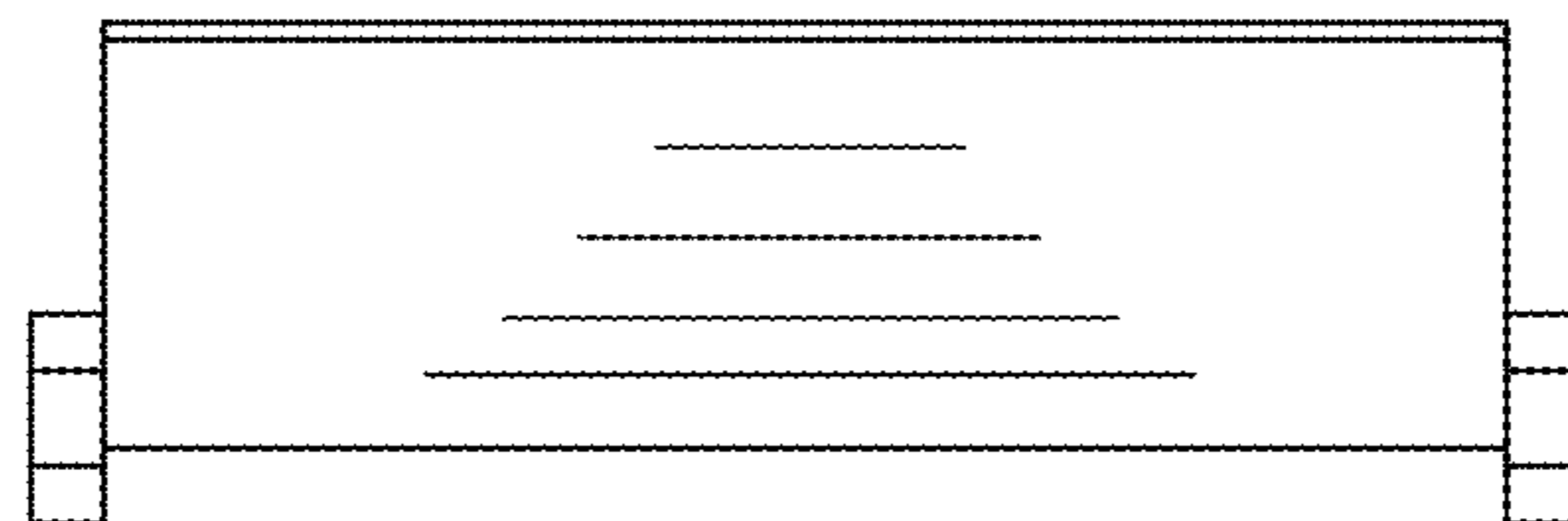


FIG. 18

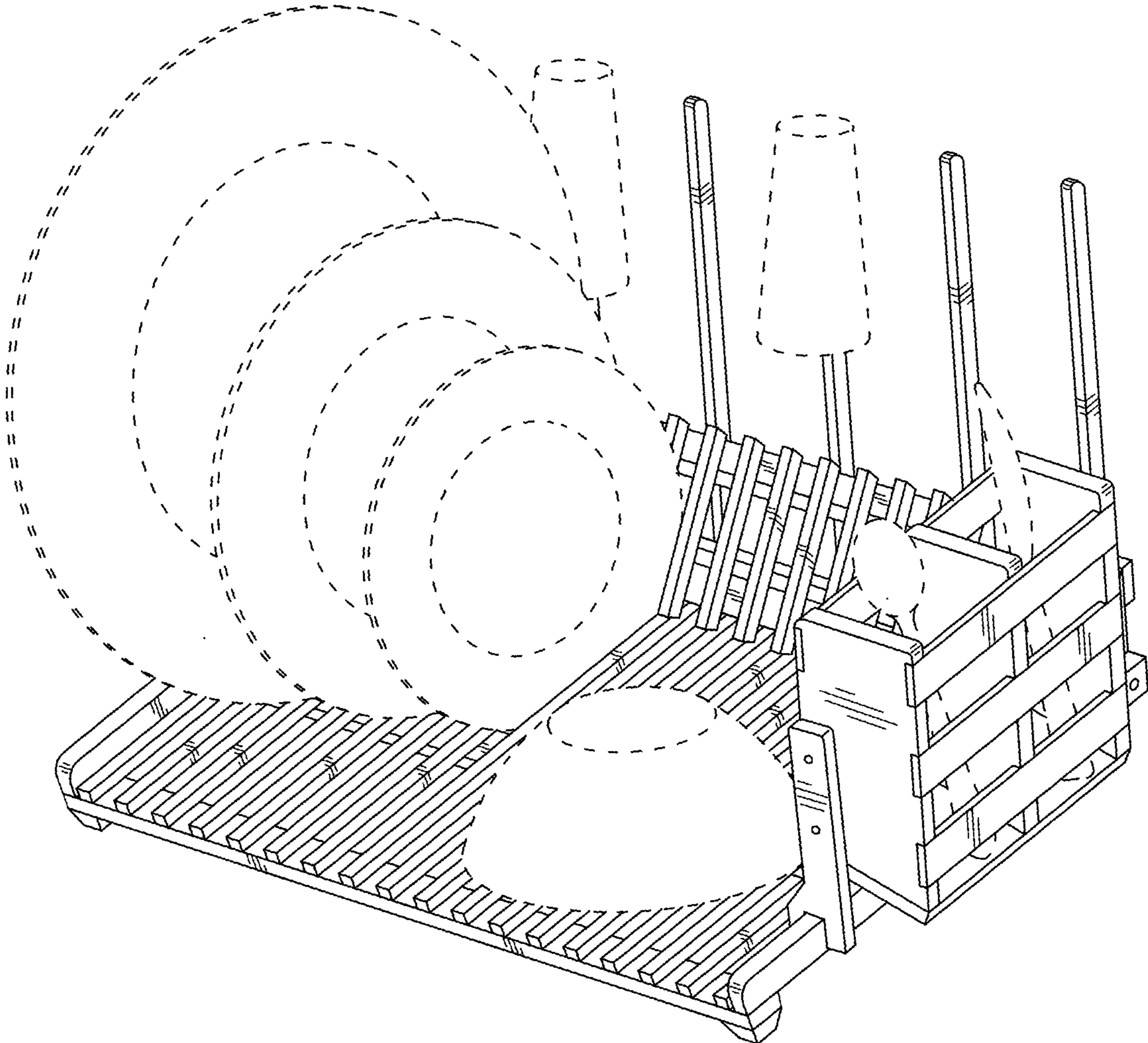


FIG. 19