



US00D955075S

(12) **United States Design Patent**
Harrington et al.

(10) **Patent No.:** **US D955,075 S**
(45) **Date of Patent:** **** Jun. 14, 2022**

(54) **BUCKET FOR FLOOR CLEANING**

FOREIGN PATENT DOCUMENTS

(71) Applicant: **Unger Marketing International, LLC**,
Bridgeport, CT (US)

BE 1009731 A6 7/1997
CA 1306592 C 8/1992

(Continued)

(72) Inventors: **William Harrington**, Newtown, CT
(US); **Robert F. Smith**, Waterbury, CT
(US); **Joseph K. Patterson**, Monroe,
CT (US)

Primary Examiner — Calvin E Vansant

(74) *Attorney, Agent, or Firm* — Cantor Colburn LLP

(73) Assignee: **UNGER MARKETING
INTERNATIONAL, LLC**, Bridgeport,
CT (US)

(57) **CLAIM**

The ornamental design for a bucket for floor cleaning, as
shown and described.

DESCRIPTION

(**) Term: **15 Years**

(21) Appl. No.: **29/678,327**

(22) Filed: **Jan. 28, 2019**

(51) **LOC (13) Cl.** **07-05**

(52) **U.S. Cl.**
USPC **D32/53**

(58) **Field of Classification Search**
USPC D32/27, 37, 53, 53.1, 54
CPC B44D 3/123; B44D 3/128; B44D 3/12;
B44D 3/126; B44D 3/127; B65D
2543/00092; A47L 13/50; A47L 13/58;
A47L 13/59; A47L 13/60; A47L
13/255–258

See application file for complete search history.

(56) **References Cited**

U.S. PATENT DOCUMENTS

2,796,617 A 6/1957 Remington
3,280,418 A 10/1966 Schonberger
D236,075 S * 7/1975 Golden D32/53
4,161,799 A 7/1979 Sorrells

(Continued)

FIG. 1 is a perspective view of a bucket for floor cleaning,
showing our new design in an embodiment;

FIG. 2 is a front view of the embodiment shown in FIG. 1;

FIG. 3 is a rear view of the embodiment shown in FIG. 1;

FIG. 4 is a side view of the embodiment shown in FIG. 1;

FIG. 5 is another side view of the embodiment shown in

FIG. 1;

FIG. 6 is a top view of the embodiment shown in FIG. 1;

FIG. 7 is a bottom view of the embodiment shown in FIG.

1;

FIG. 8 is a perspective view of a bucket, showing our new

design in another embodiment;

FIG. 9 is a front view of the embodiment shown in FIG. 8;

FIG. 10 is a rear view of the embodiment shown in FIG. 8;

FIG. 11 is a side view of the embodiment shown in FIG. 8;

FIG. 12 is another side view of the embodiment shown in

FIG. 8;

FIG. 13 is a top view of the embodiment shown in FIG. 8;

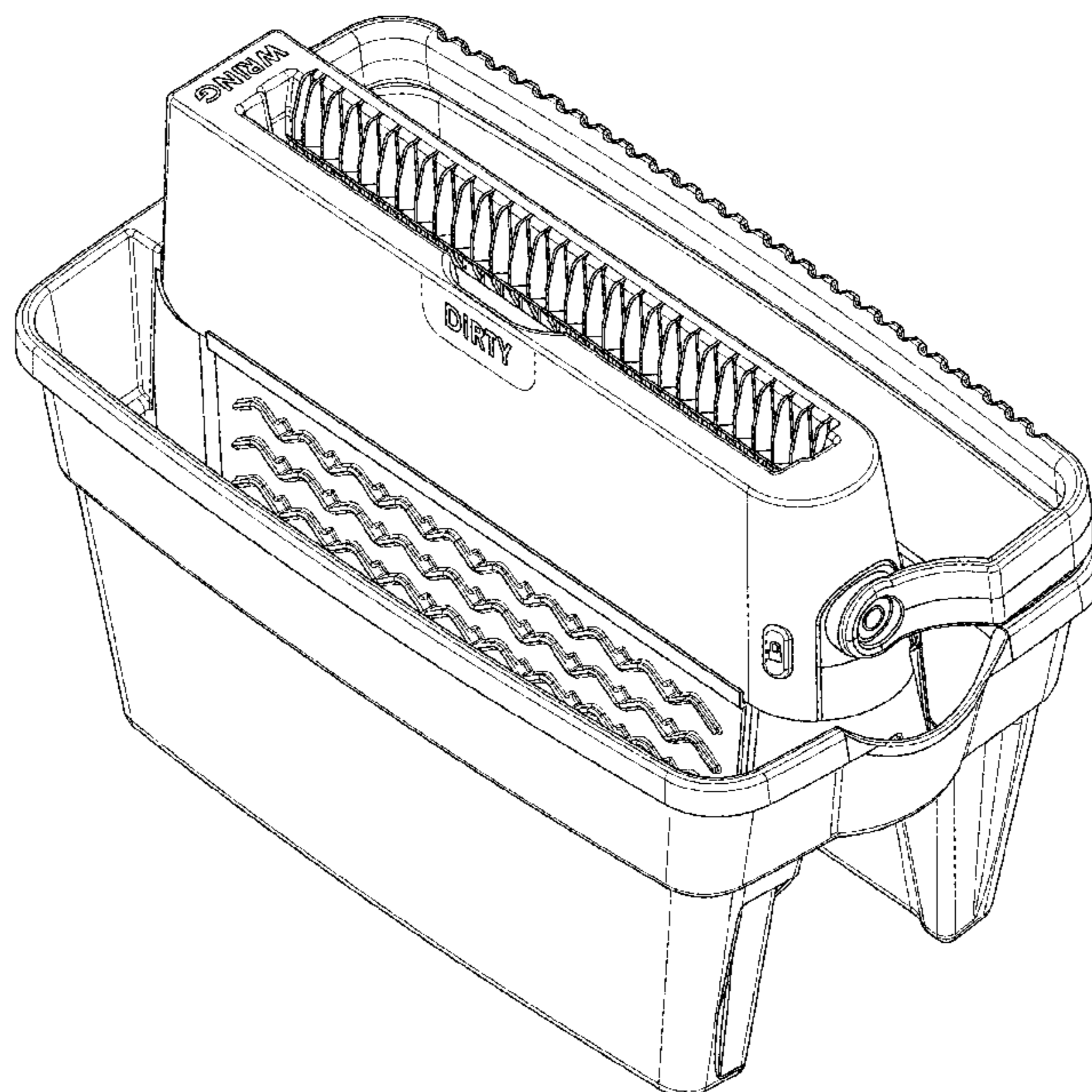
and,

FIG. 14 is a bottom view of the embodiment shown in FIG.

8.

The broken lines depict portions of the bucket for floor
cleaning that form no part of the claimed design.

1 Claim, 14 Drawing Sheets



(56)

References Cited

FOREIGN PATENT DOCUMENTS

U.S. PATENT DOCUMENTS					
			CN	2081281 U	7/1991
			CN	200987655 Y	12/2007
4,704,763 A	11/1987	Sacks et al.	CN	201384477 Y	1/2010
4,912,804 A	4/1990	Pasbol	CN	101843468 A	9/2010
5,774,929 A	7/1998	Jurgens et al.	CN	201675888 U	12/2010
6,062,389 A *	5/2000	Kent B44D 3/12	CN	202211661 U	5/2012
		15/257.05	CN	202313166 U	7/2012
6,115,878 A	9/2000	McLaughlin et al.	CN	102711578 A	10/2012
6,279,195 B1	8/2001	Biggs	CN	202821248 U	3/2013
6,996,873 B2	2/2006	Salmon	CN	105640460 B	6/2016
7,174,600 B2	2/2007	Kresse et al.	CN	205391076 U	7/2016
D546,012 S *	7/2007	Casteel B44D 3/12	CN	205493747 U	8/2016
		D32/53	CN	105996932 A	10/2016
8,381,931 B1	2/2013	Ernest, III	CN	205625834 U	10/2016
D684,329 S *	6/2013	Church D32/53.1	CN	205729277 U	11/2016
8,474,089 B2	7/2013	Goentzel	CN	205831737 U	12/2016
8,479,352 B2	7/2013	Rivadulla Oliva	CN	206080445 U	4/2017
8,567,616 B2	10/2013	Mishan et al.	CN	206080446 U	4/2017
D694,975 S *	12/2013	Lambertson, Jr. D32/53	CN	206151396 U	5/2017
D694,977 S *	12/2013	Libman D32/53	CN	206381142 U	8/2017
D694,979 S *	12/2013	Lambertson, Jr. D32/54	CN	107115077 A	9/2017
8,652,263 B2	2/2014	Goentzel	CN	107456178 A	12/2017
8,771,428 B1	7/2014	Goentzel	CN	107456179 A	12/2017
D728,883 S *	5/2015	Kempton D32/53.1	CN	107495914 A	12/2017
D728,884 S *	5/2015	Waffensmith D32/54	CN	107518843 A	12/2017
9,161,673 B2	10/2015	Tronconi et al.	DE	4318792 A1	12/1994
D759,926 S *	6/2016	Leonard D32/53	EP	2848178 A2	3/2015
D801,610 S *	10/2017	Nadin D32/53	GB	396469 A	8/1933
D824,627 S *	7/2018	Brugora D32/54	GB	1277932 A	6/1972
2006/0048330 A1	3/2006	Rust et al.	JP	H10304998 A	11/1998
2008/0006640 A1	1/2008	Natale	WO	9210968 A1	7/1992
2018/0199788 A1	7/2018	Huang	WO	2017193609 A1	11/2017
2019/0365193 A1 *	12/2019	Smith A47L 13/256	WO	2017206511 A1	12/2017

* cited by examiner

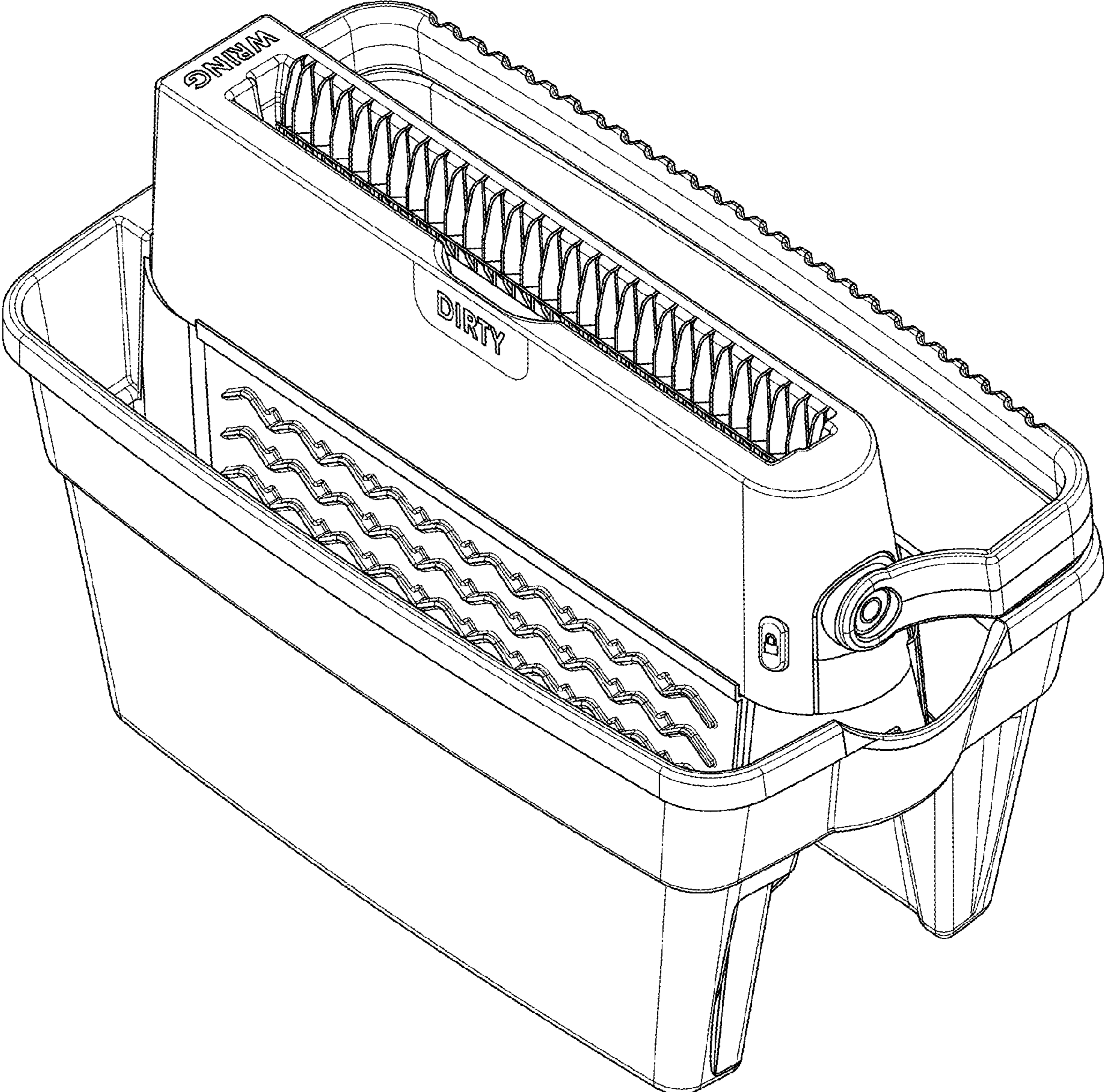


FIG. 1

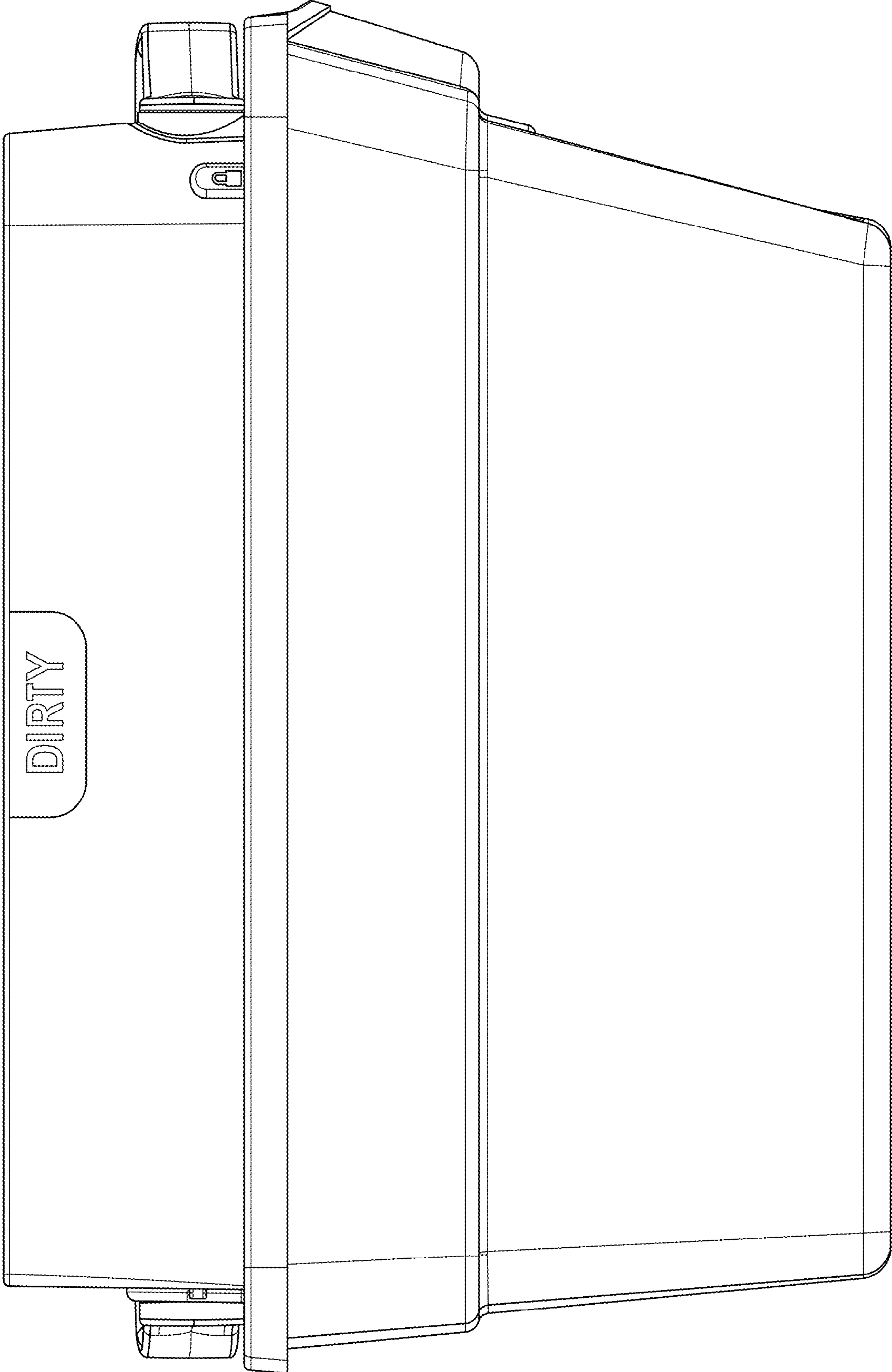


FIG. 2

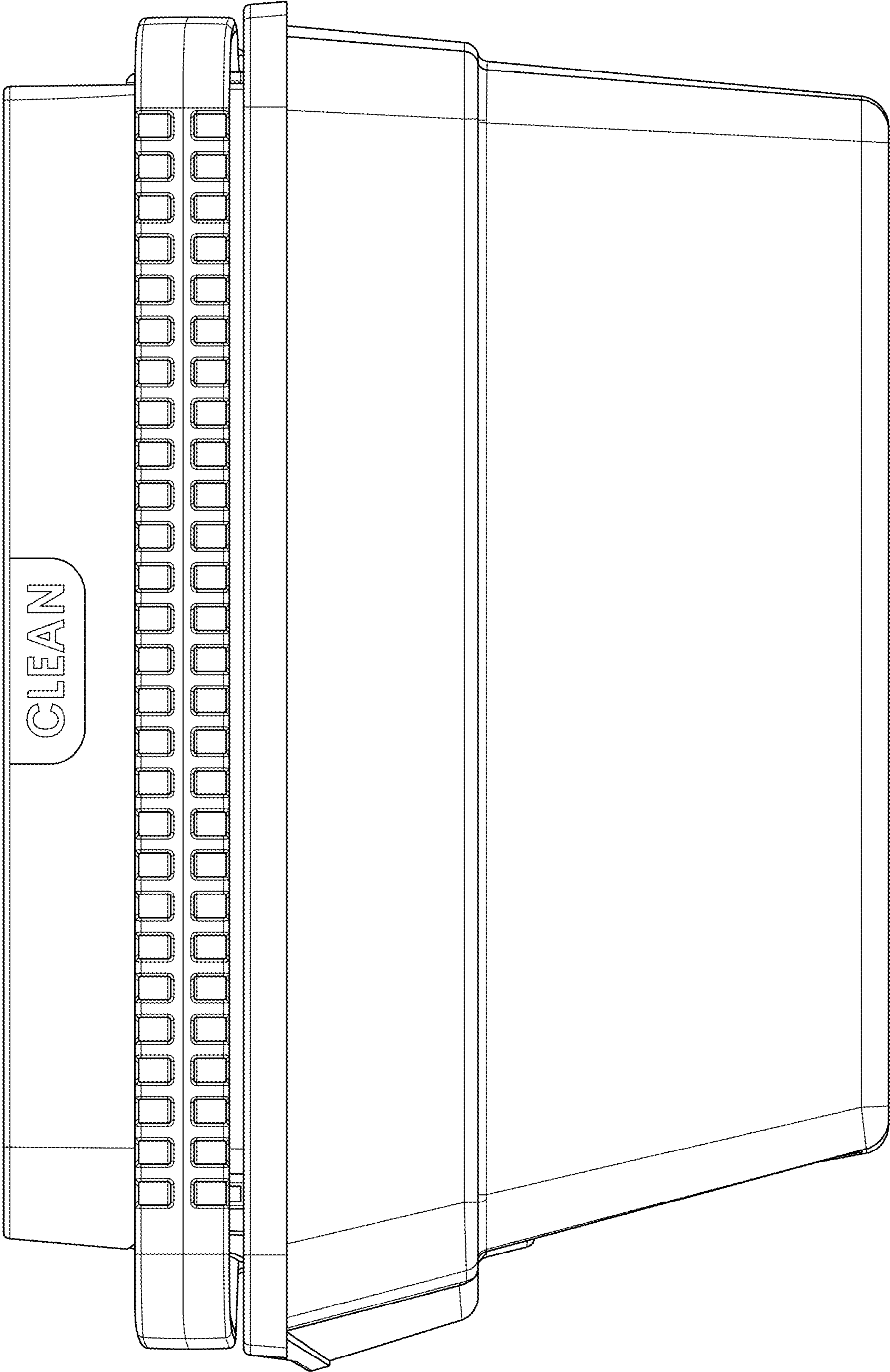


FIG. 3

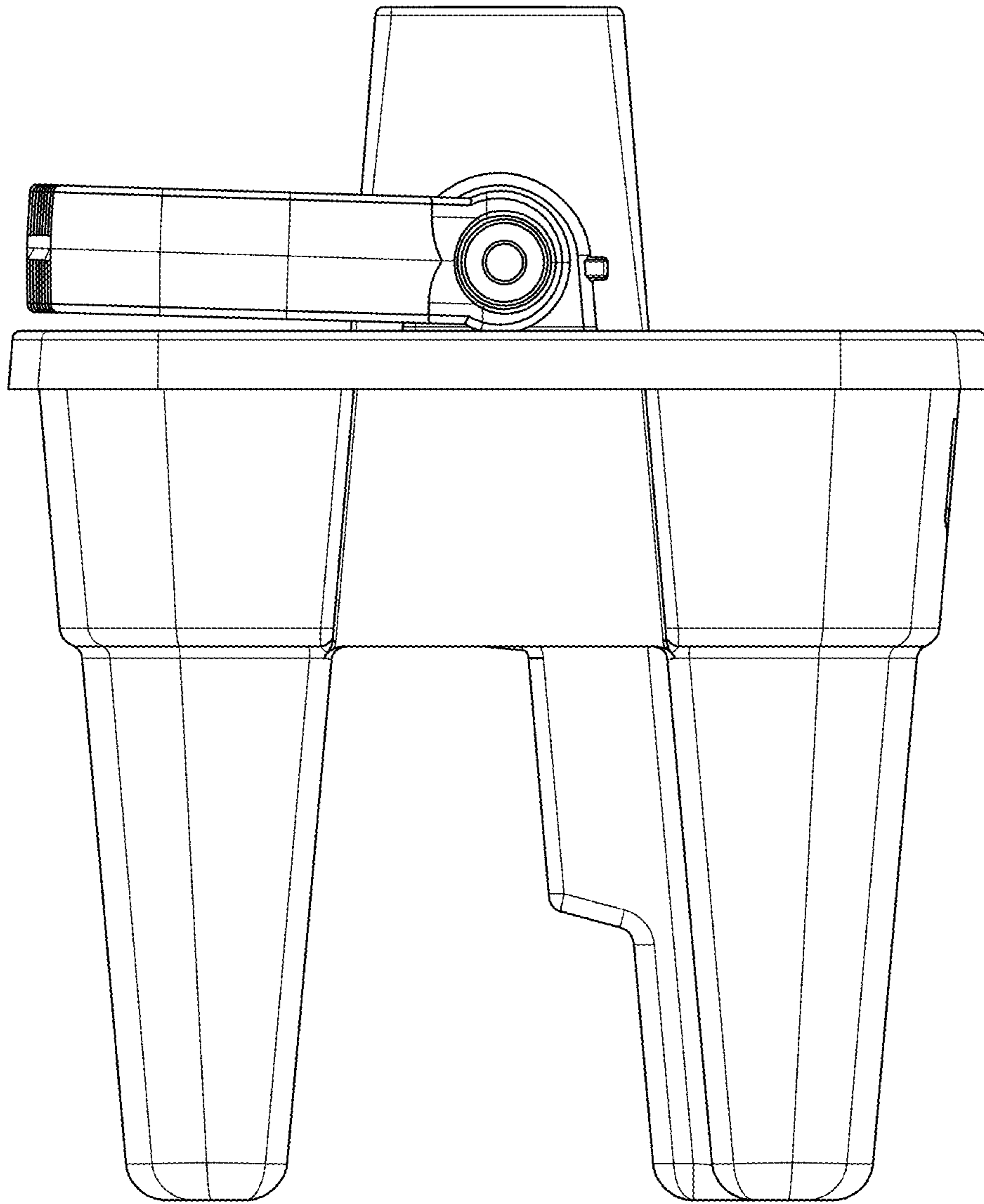


FIG. 4

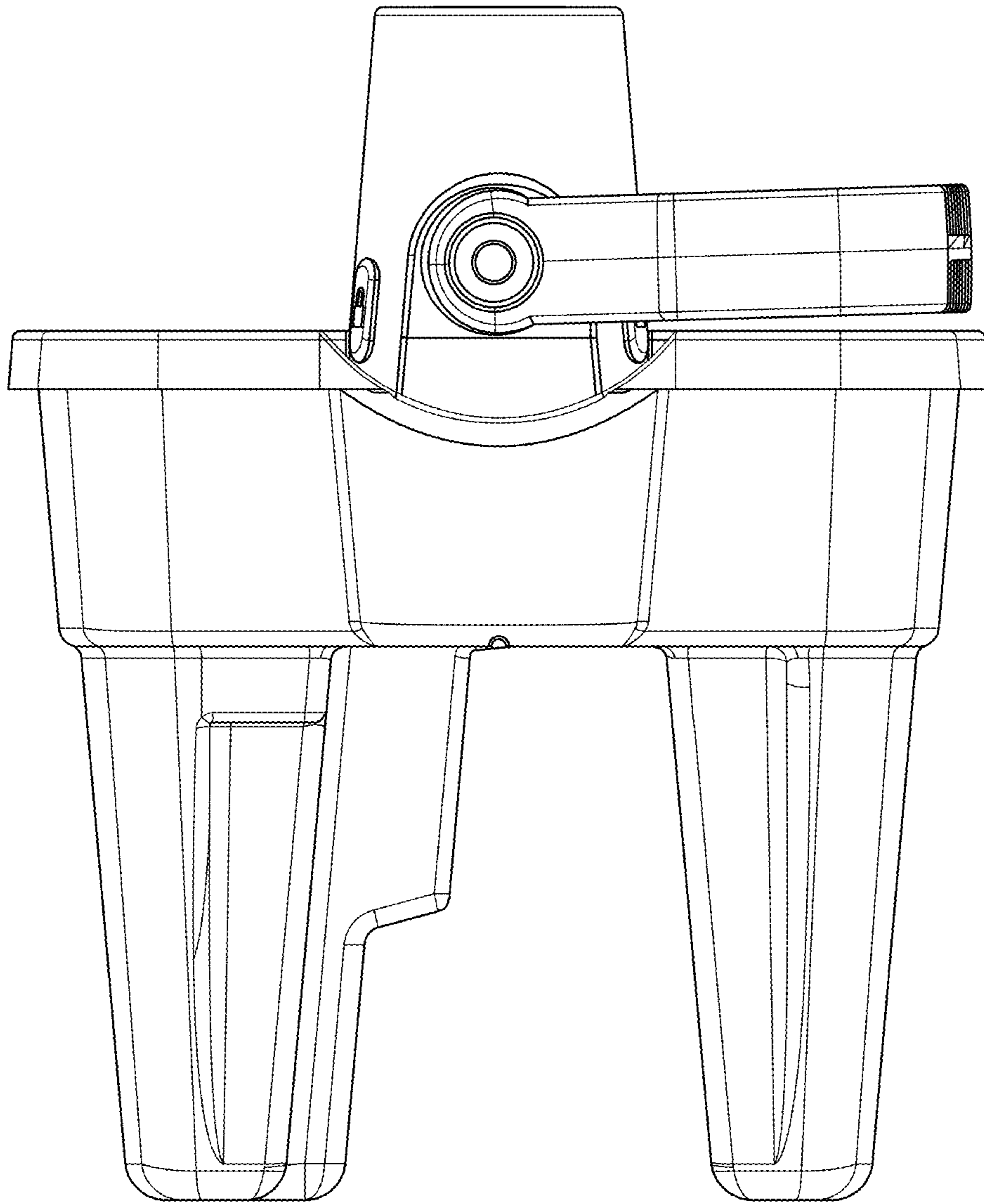


FIG. 5

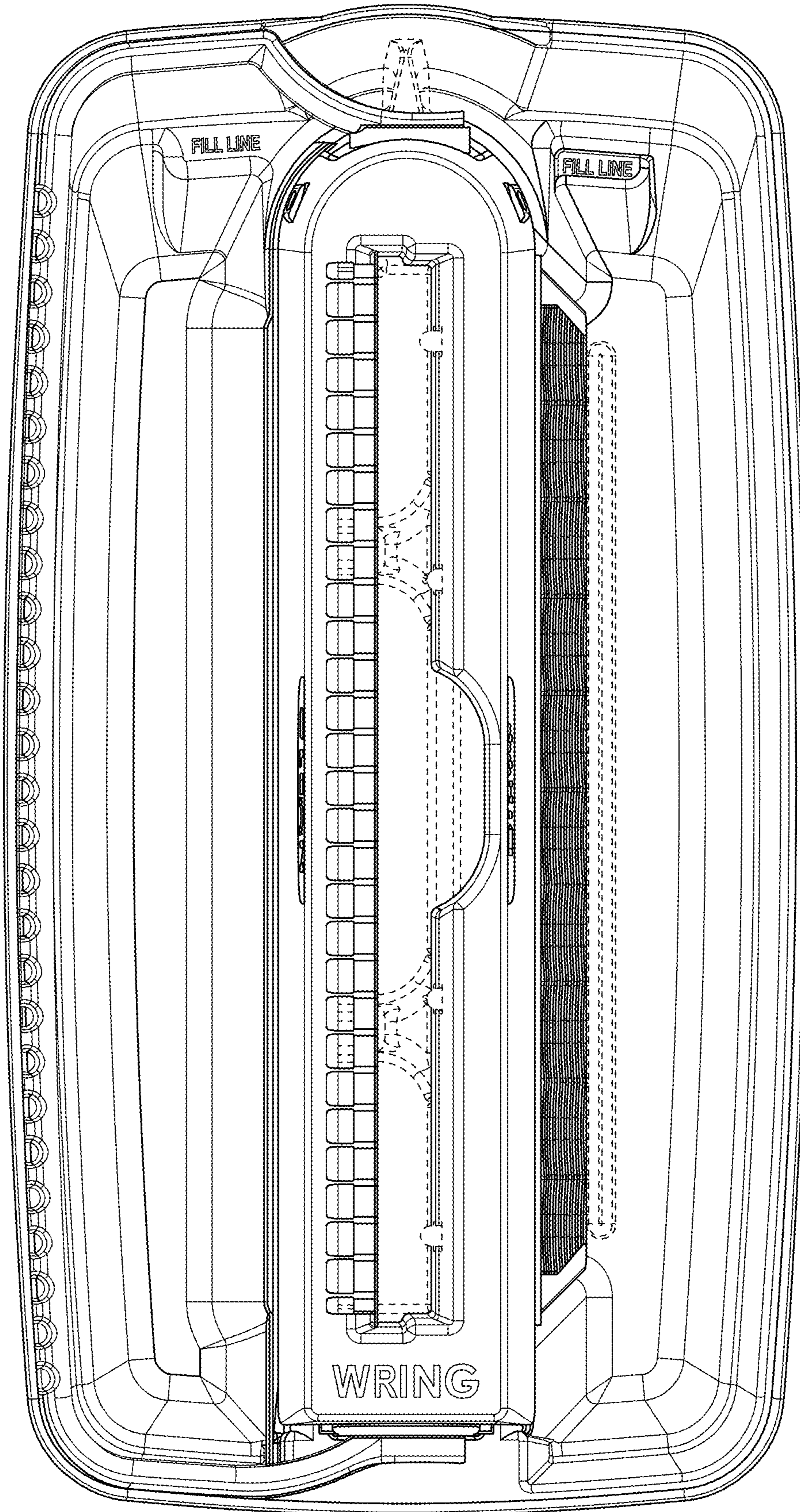


FIG. 6

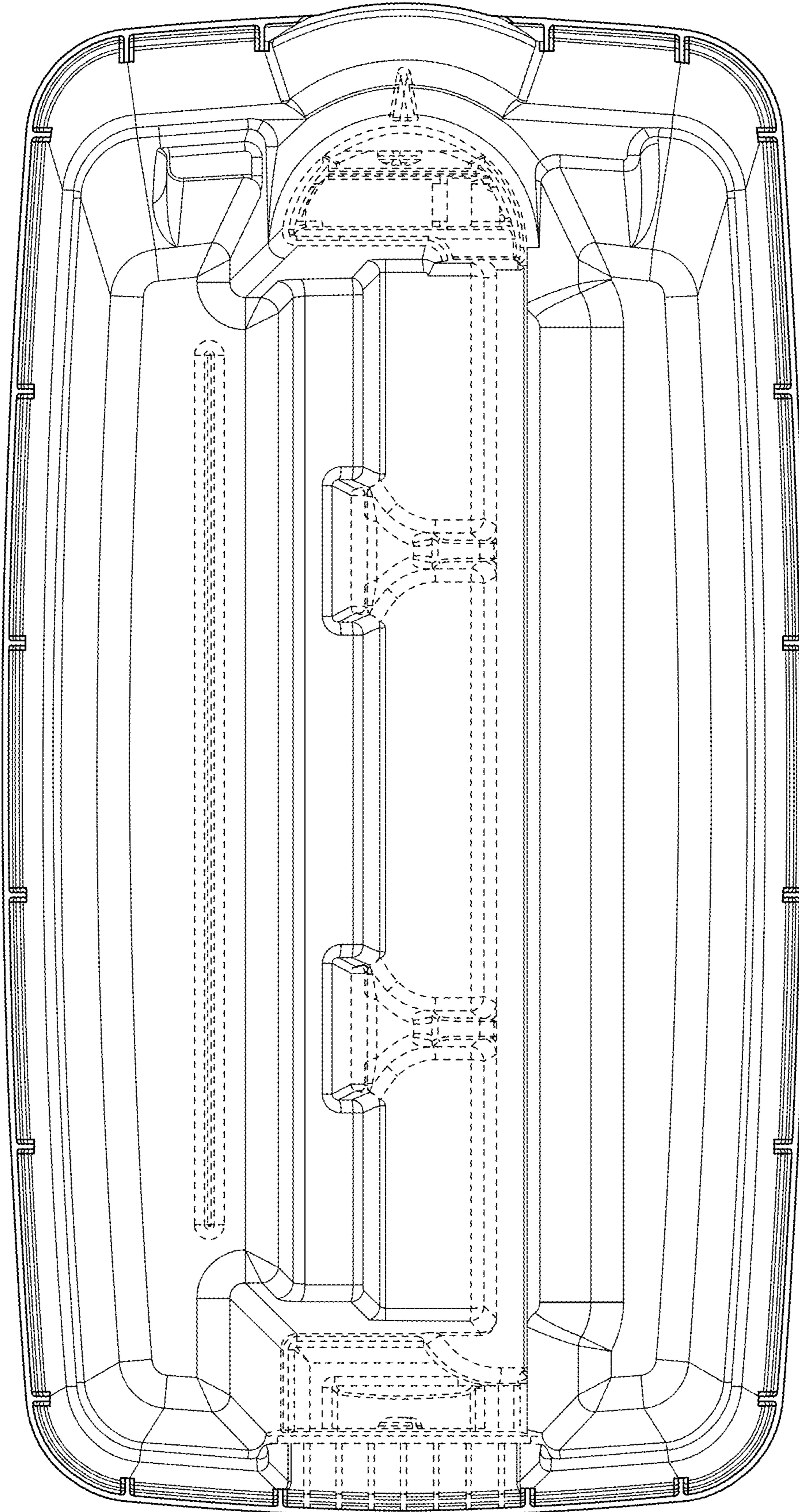


FIG. 7

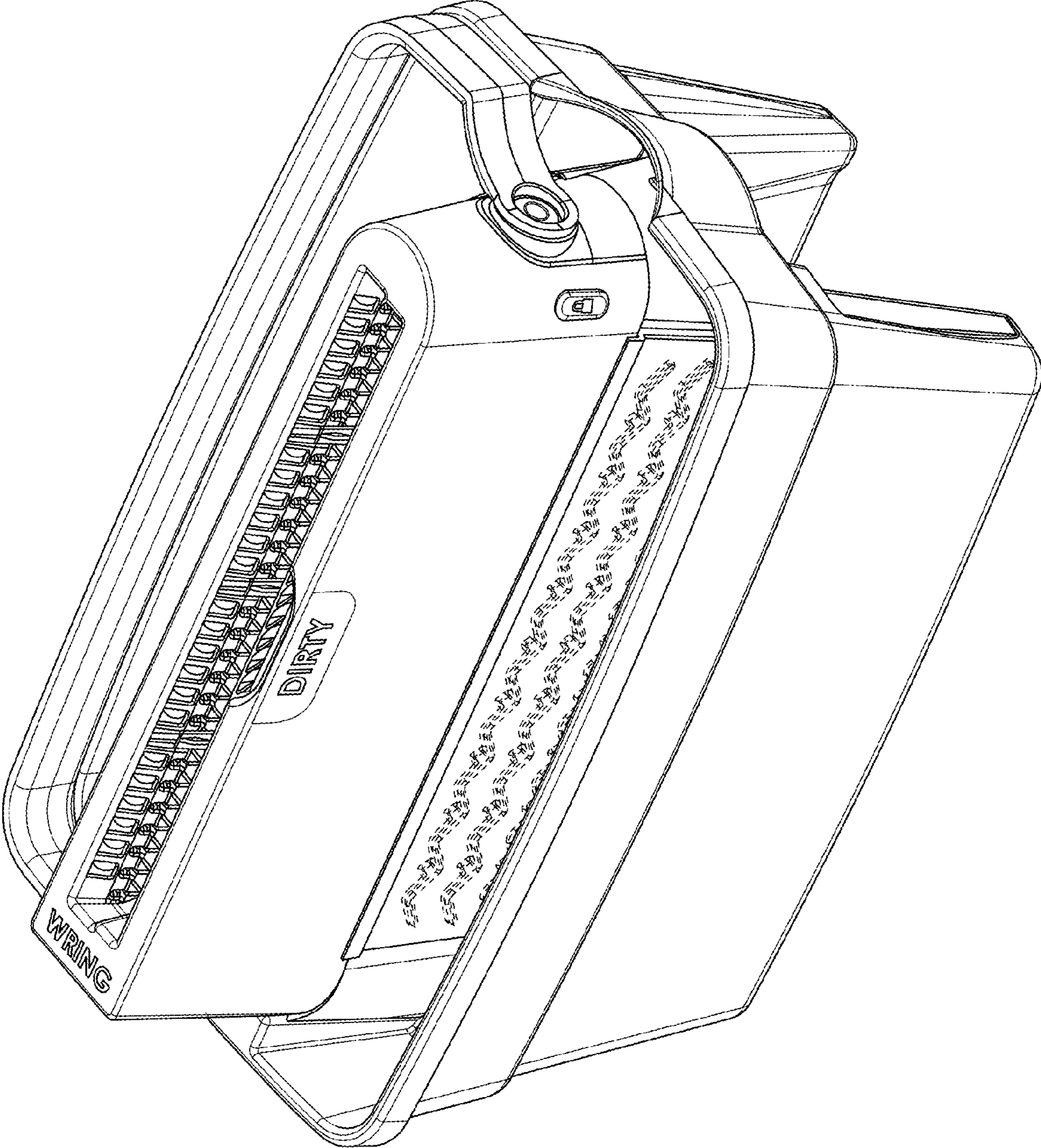


FIG. 8

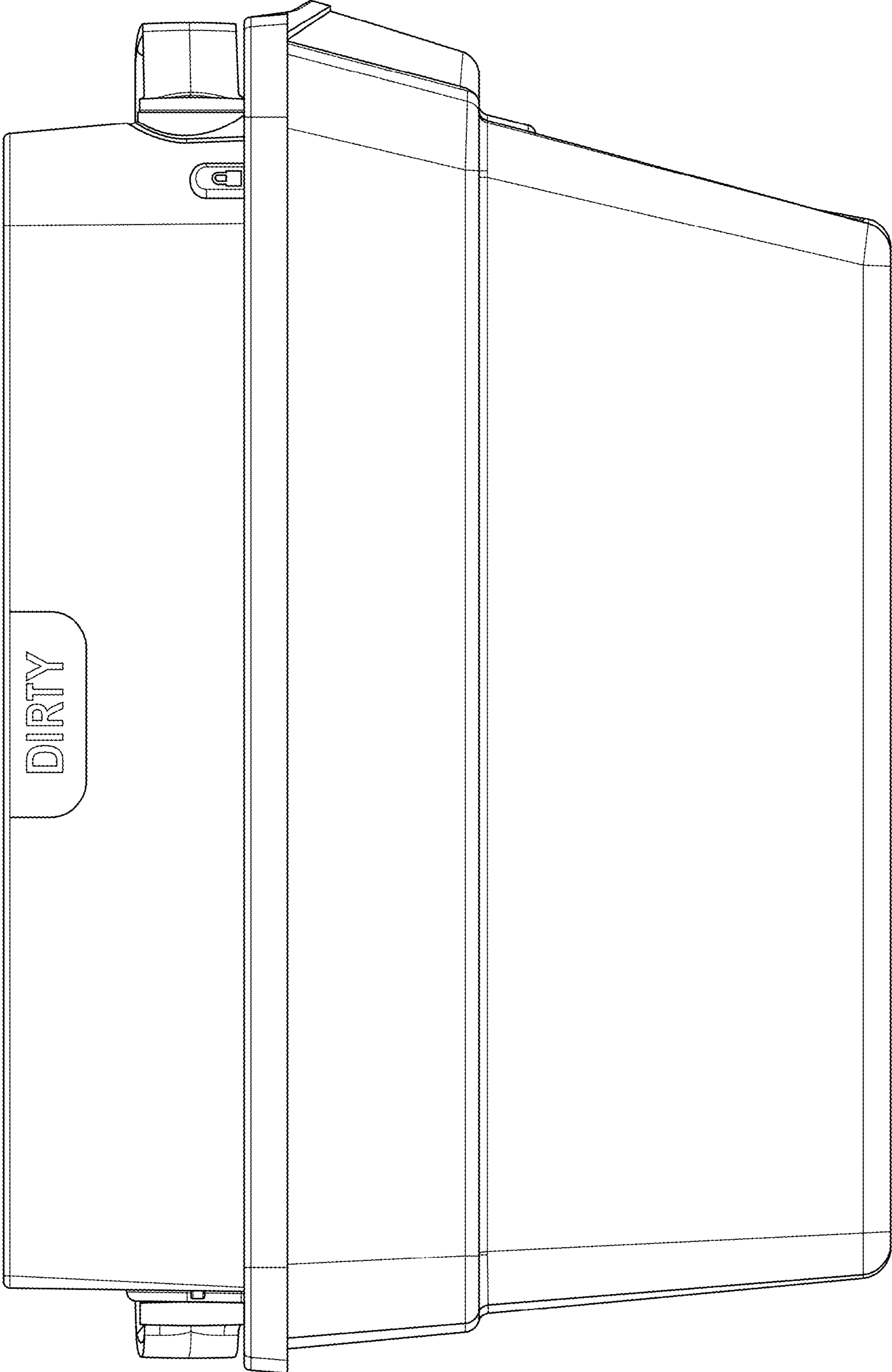


FIG. 9

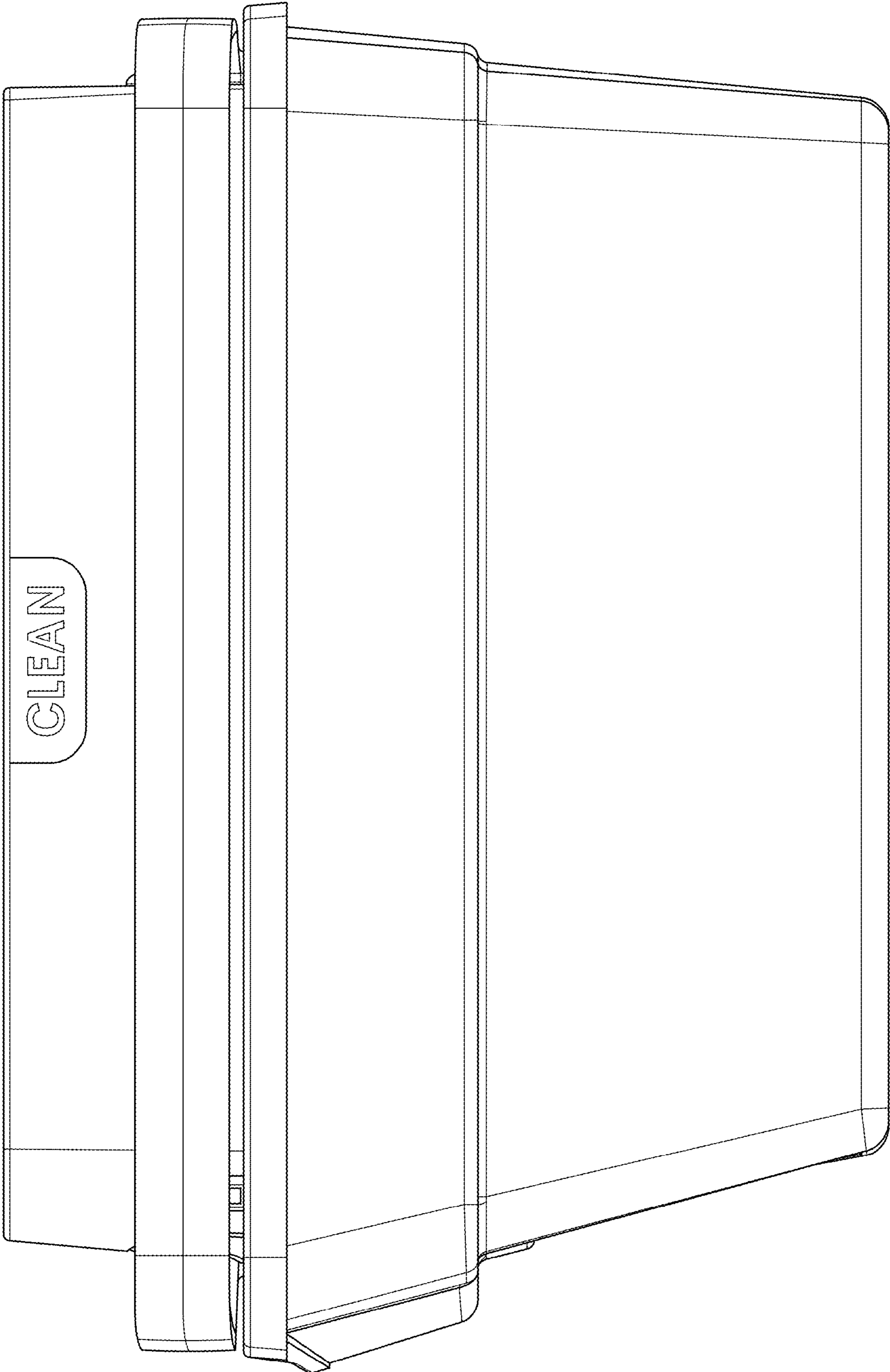


FIG. 10

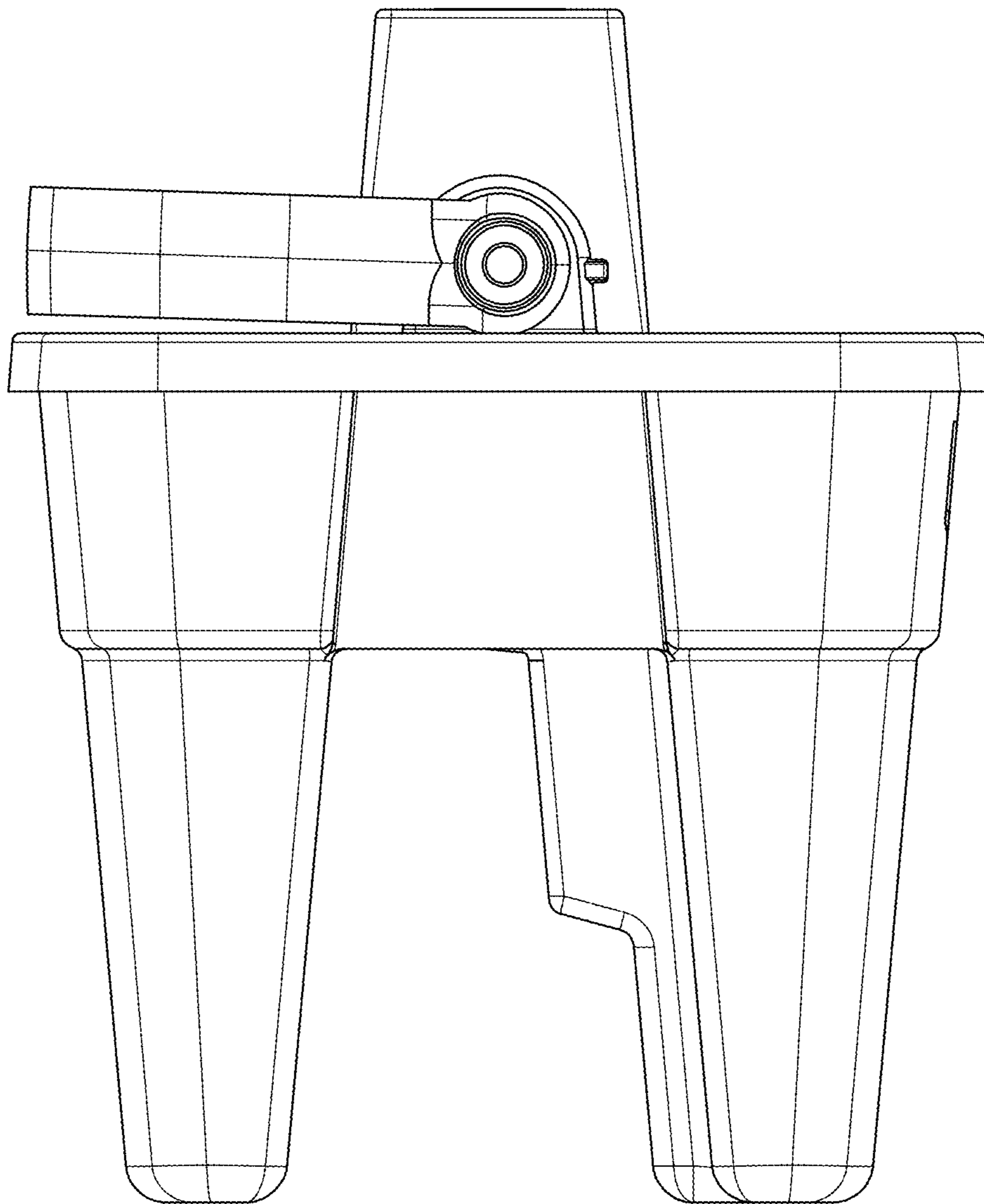


FIG. 11

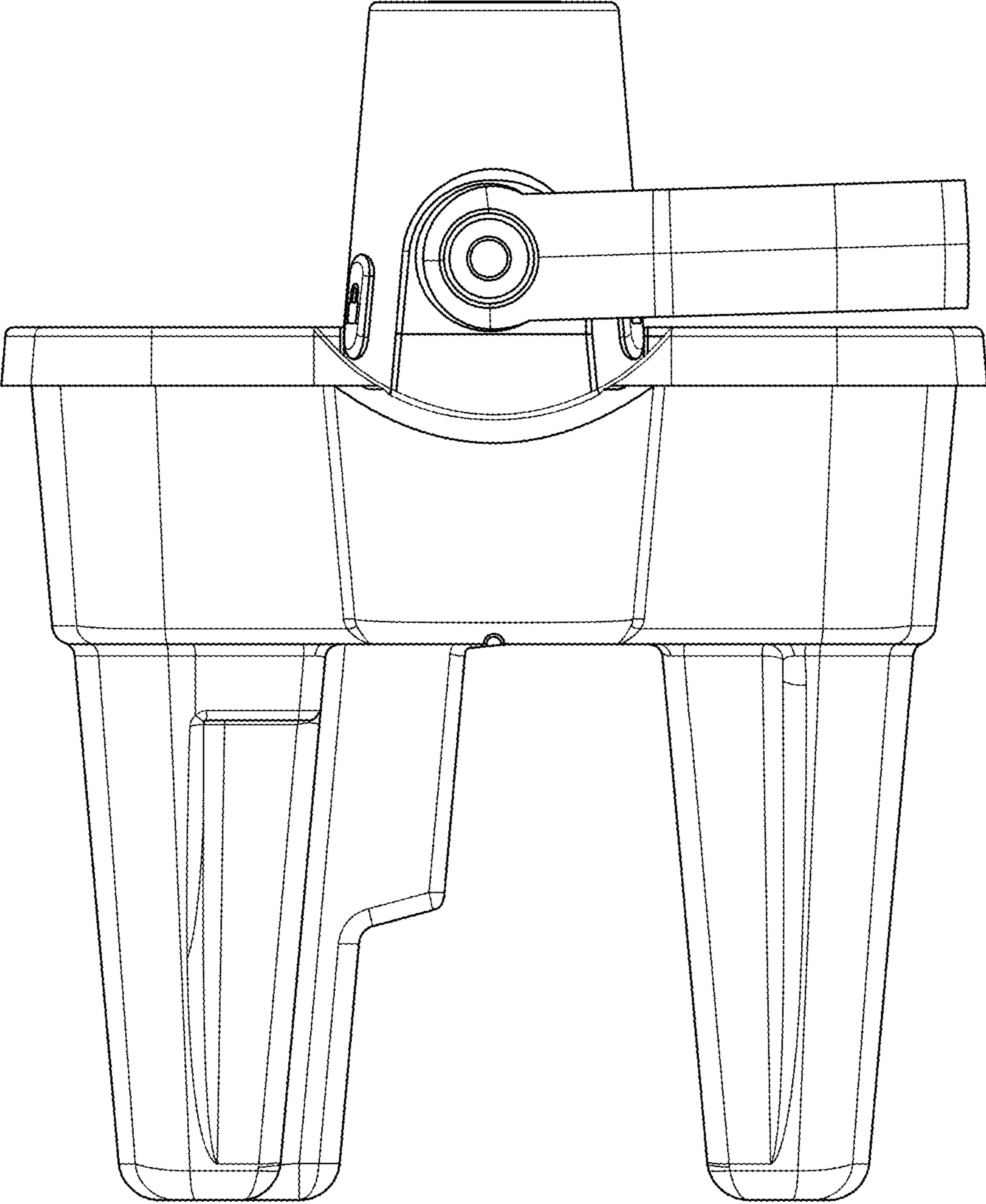


FIG. 12

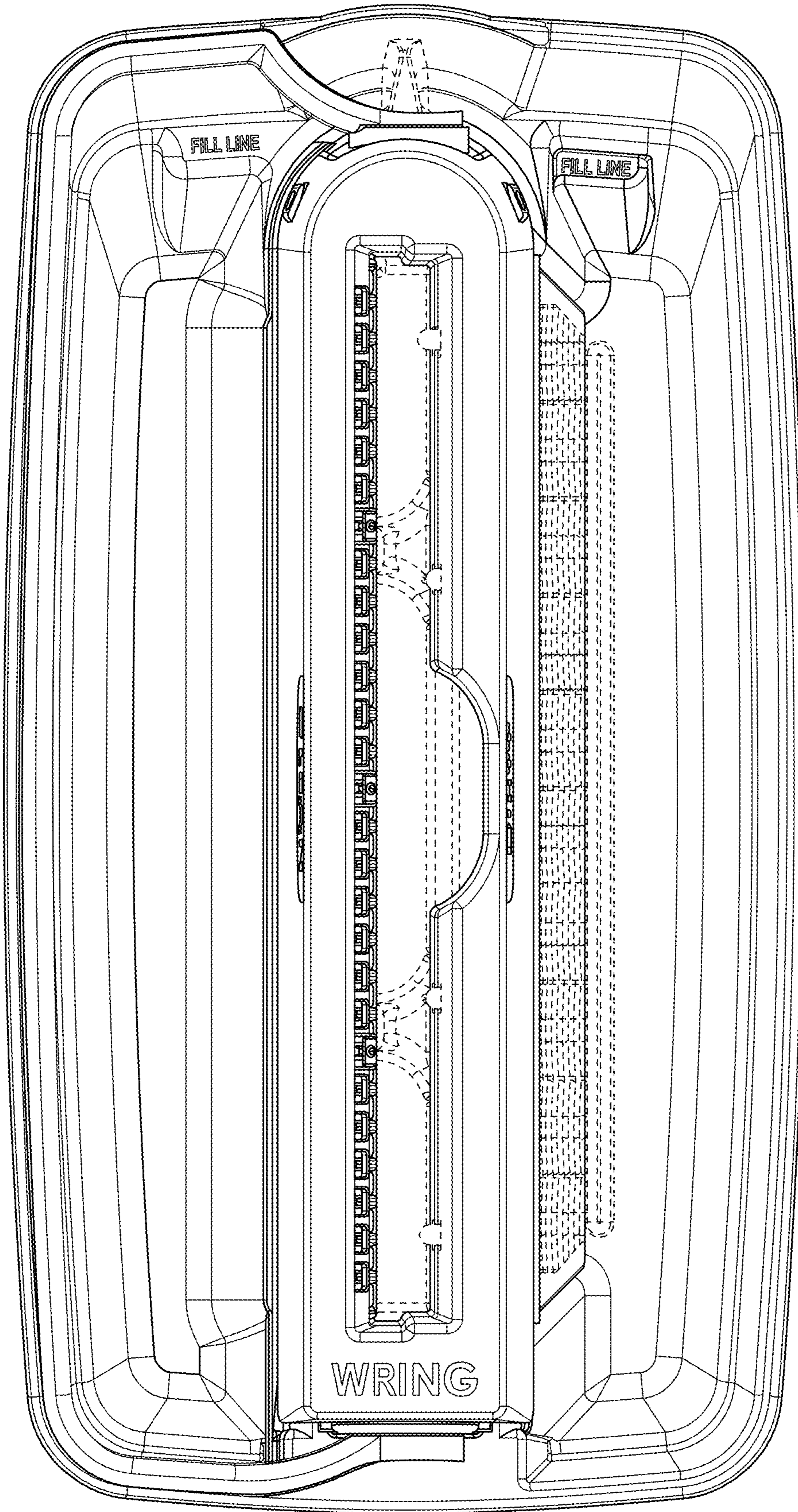


FIG. 13

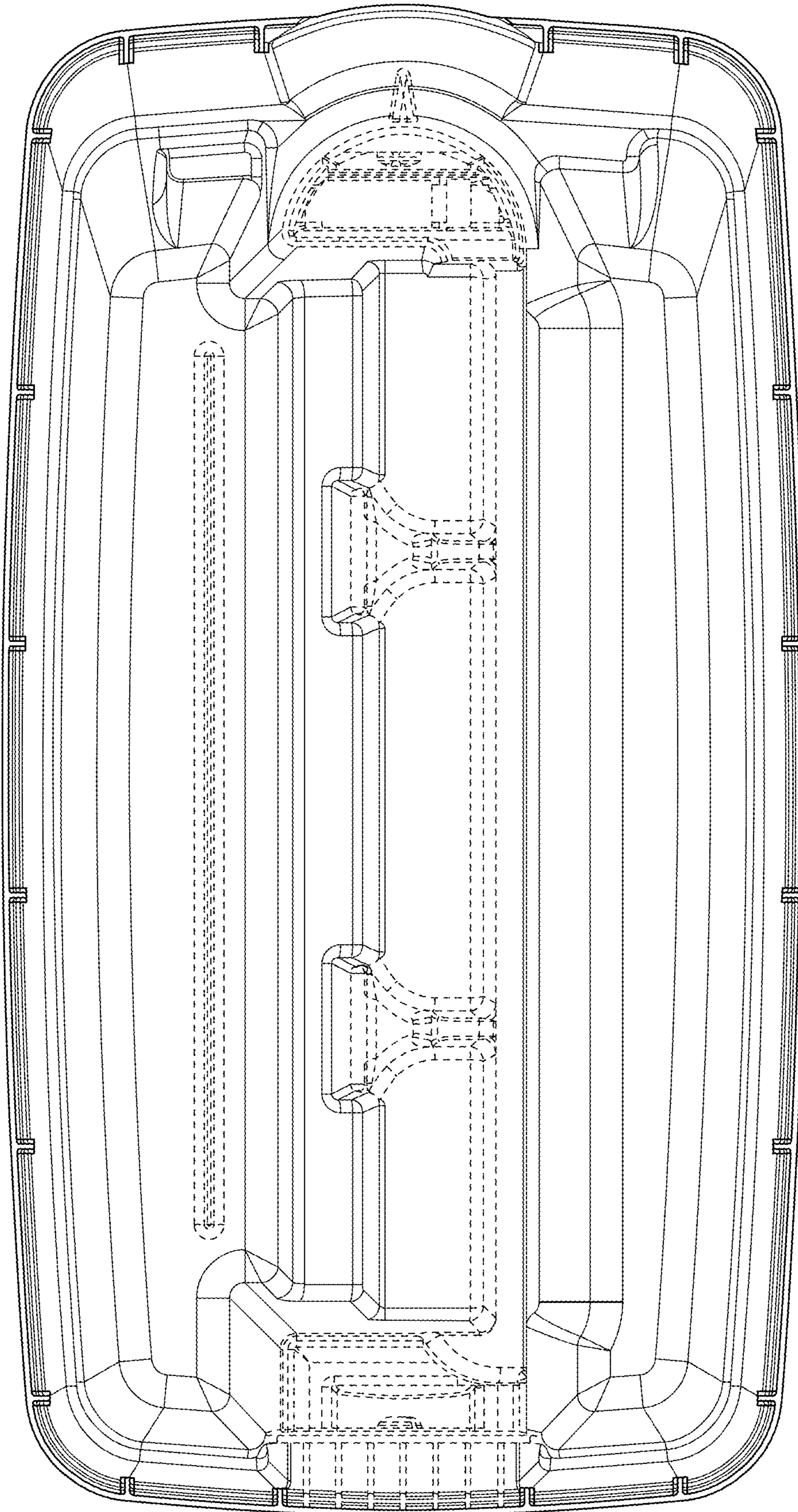


FIG. 14