



US00D955074S

(12) **United States Design Patent** (10) **Patent No.:** **US D955,074 S**
Allen (45) **Date of Patent:** **** Jun. 14, 2022**

(54) **CLEANING TOOL**

(71) Applicant: **Mary Beatrice Allen**, Haughton, LA (US)

(72) Inventor: **Mary Beatrice Allen**, Haughton, LA (US)

(**) Term: **15 Years**

(21) Appl. No.: **29/742,013**

(22) Filed: **Sep. 9, 2019**

(51) **LOC (13) Cl.** **07-05**

(52) **U.S. Cl.**
USPC **D32/45**

(58) **Field of Classification Search**
USPC D32/40-43, 45; D2/617, 622; D30/124;
D21/480, 445, 530, 606; D3/322, 325
CPC A47K 7/02; A47L 13/16; A46B 1/00
See application file for complete search history.

(56) **References Cited**

U.S. PATENT DOCUMENTS

D332,841 S *	1/1993	Levison	D28/63
D356,446 S *	3/1995	Hoagland	D4/129
D437,095 S *	1/2001	Osiecki	D32/40
D474,389 S *	5/2003	Panfili	D8/45
7,033,259 B1 *	4/2006	Seasholtz	B24B 55/10 451/354
D688,877 S *	9/2013	Li	D4/114
D770,116 S *	10/2016	Neumann	D32/45
D787,292 S *	5/2017	Lehovetzki	D8/90

D801,607 S *	10/2017	Donald	D32/40
D841,912 S *	2/2019	Renner	D32/40
D841,914 S *	2/2019	Cira	D32/42
D857,399 S *	8/2019	Renner	D4/129
D874,771 S *	2/2020	Meyer	D32/40
D886,462 S *	6/2020	Du	D4/129
D896,457 S *	9/2020	Shamoon	D32/40
D904,704 S *	12/2020	Buckley	D32/15
D922,018 S *	6/2021	Chaffee	D32/45
2016/0361797 A1 *	12/2016	Speare	B24D 15/04

FOREIGN PATENT DOCUMENTS

CN 305875067 * 6/2020

* cited by examiner

Primary Examiner — John R Yeh

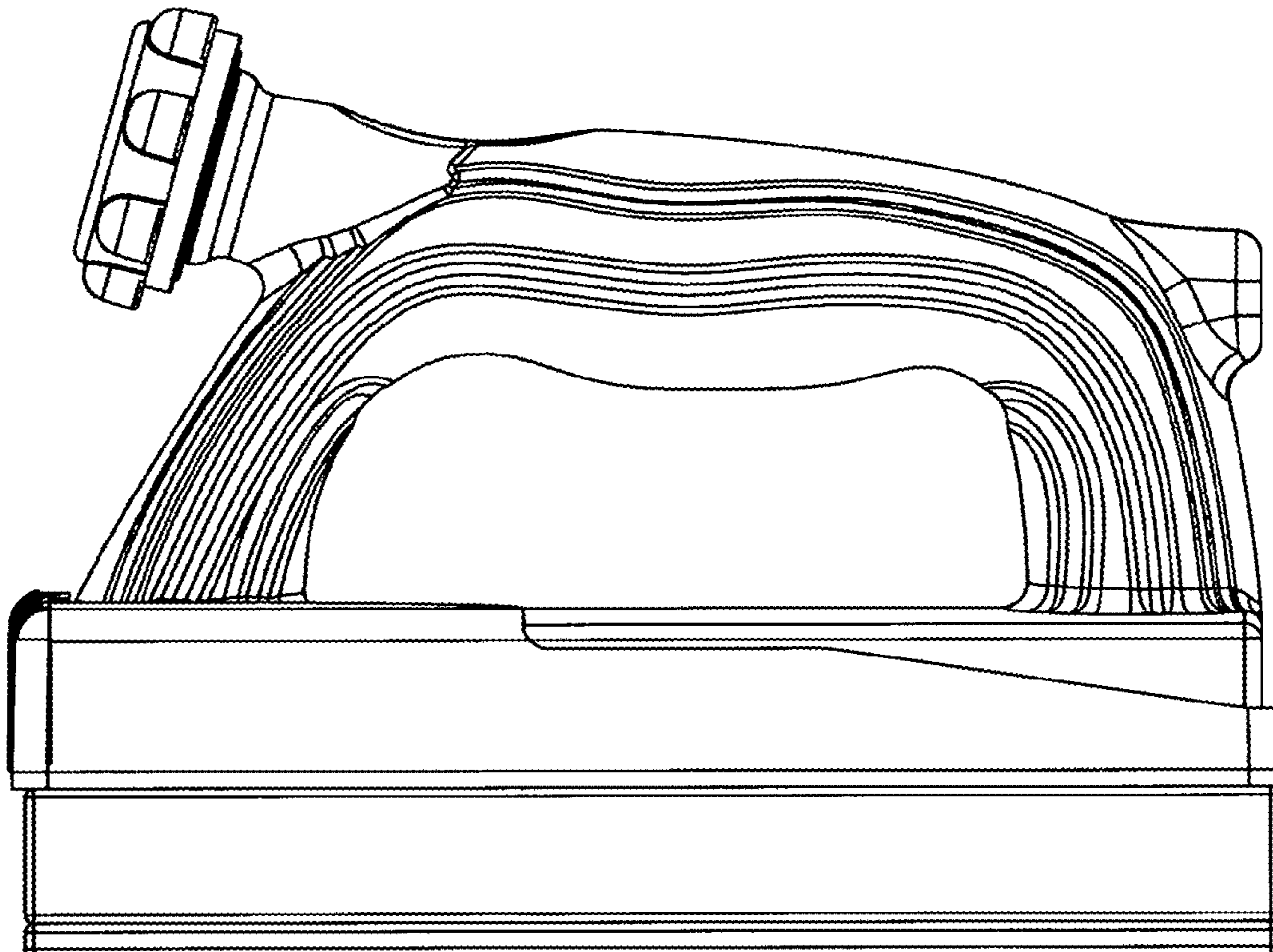
(57) **CLAIM**

I claim the ornamental design for a cleaning tool, as shown and described.

DESCRIPTION

FIG. 1 is a left side view of my design for a cleaning tool; FIG. 2 is a front view thereof; FIG. 3 is a bottom view thereof; FIG. 4 is a right side view thereof; FIG. 5 is a top, front, right side perspective view thereof; FIG. 6 is a rear view thereof; FIG. 7 is a top view thereof; FIG. 8 is a bottom, rear, right side perspective view thereof; FIG. 9 is a top, rear, right side perspective view thereof; and, FIG. 10 is a bottom, front, right side perspective thereof.

1 Claim, 10 Drawing Sheets



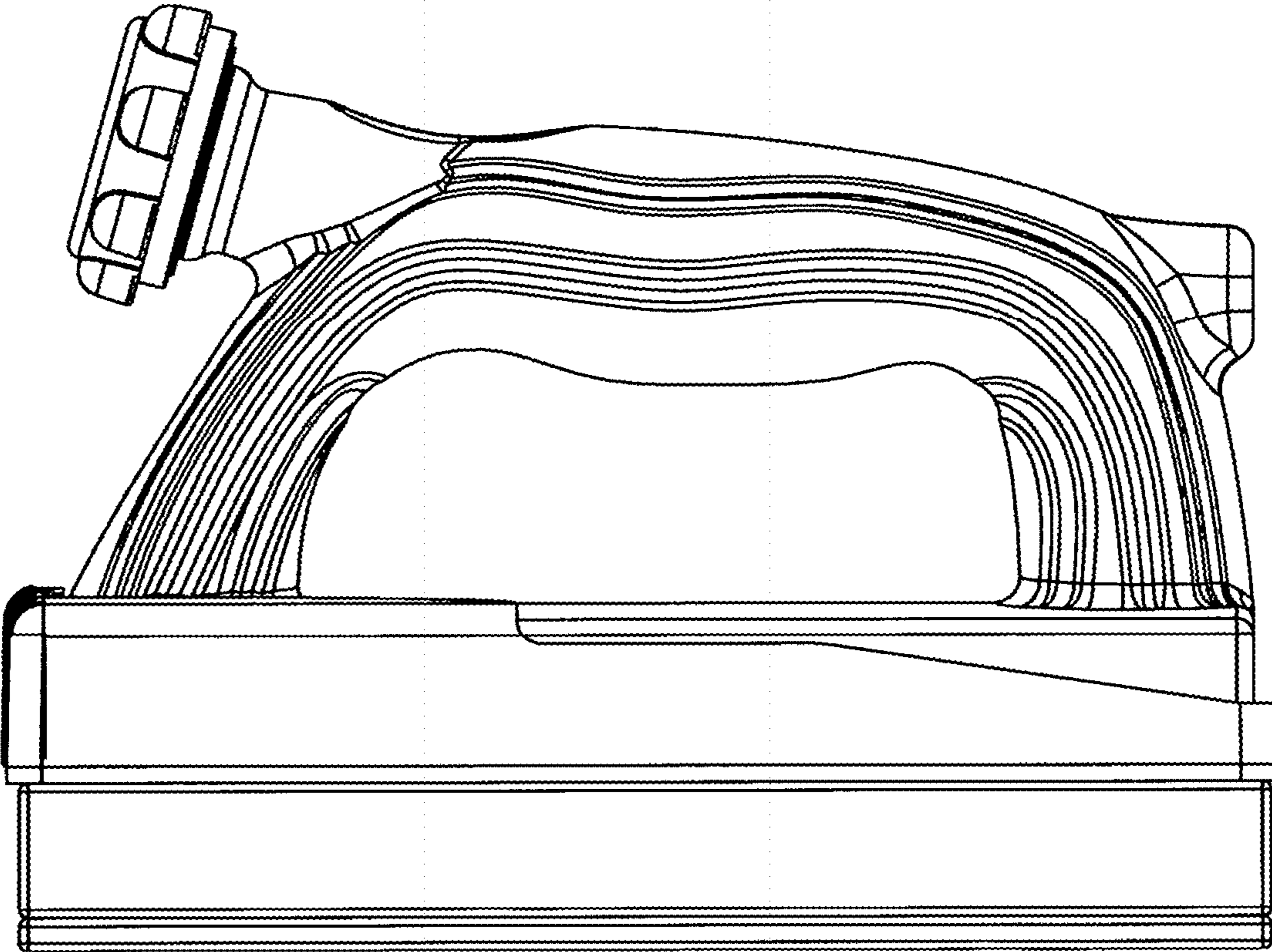


Figure 1

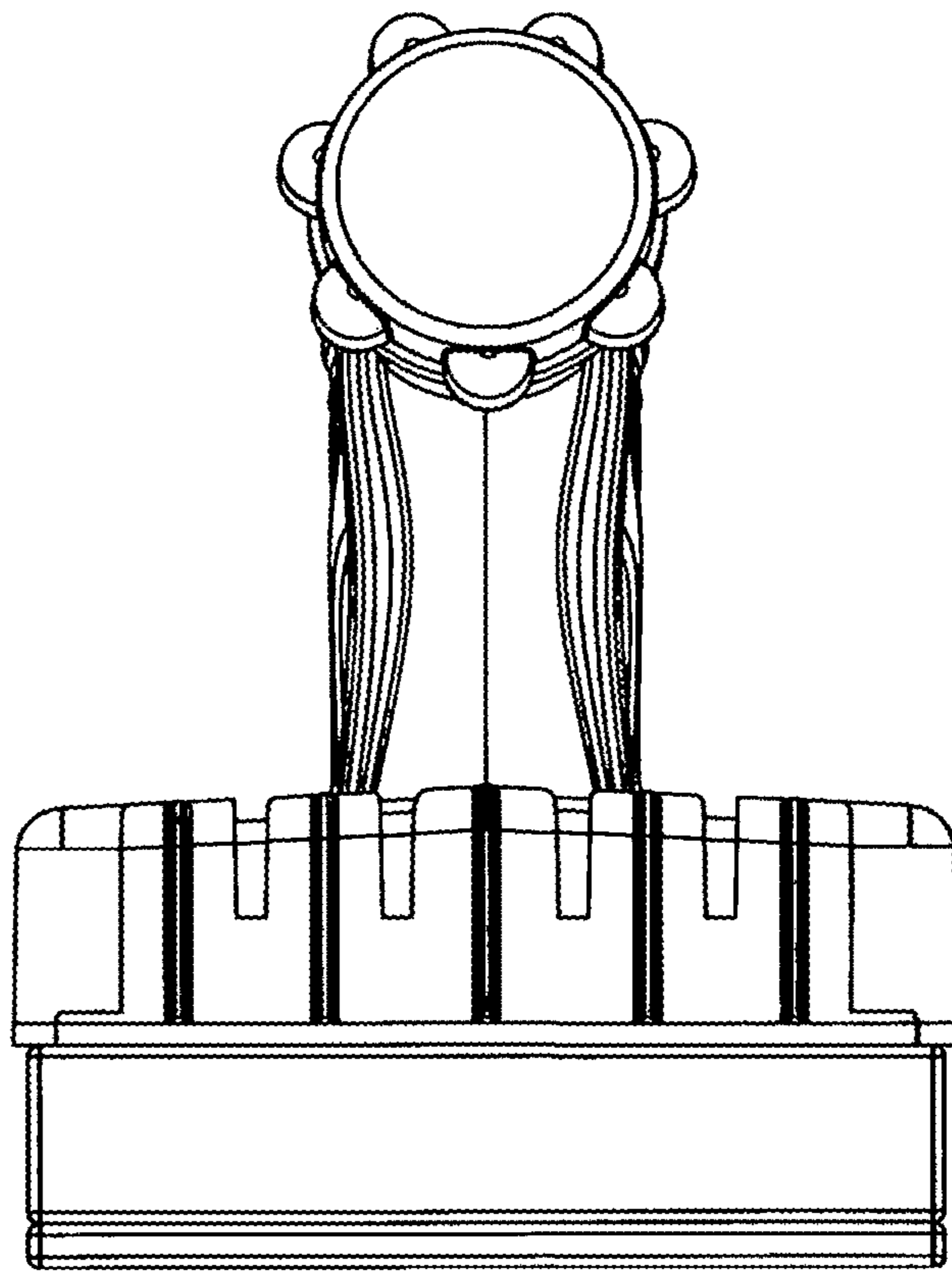


Figure 2

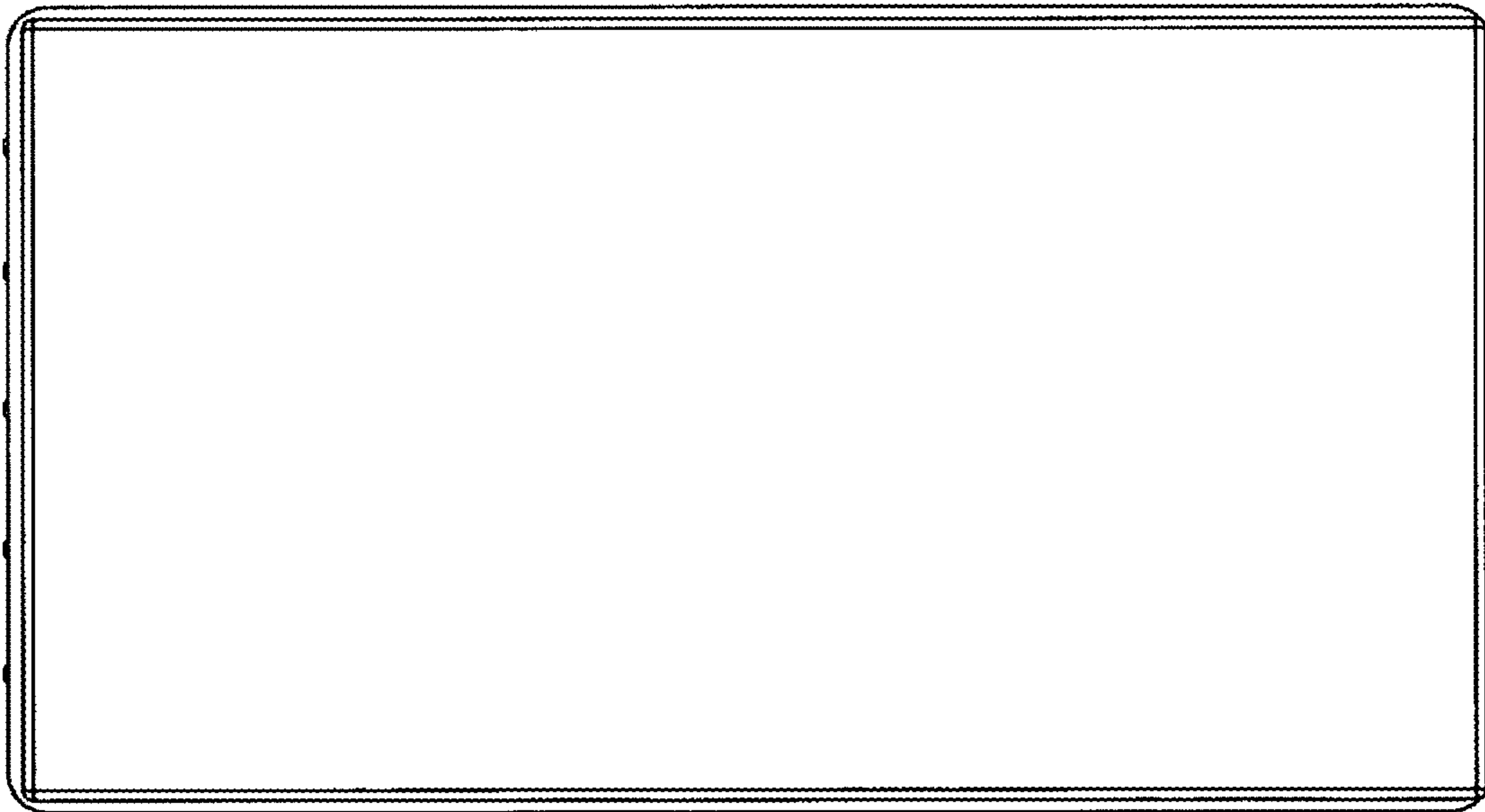


Figure 3

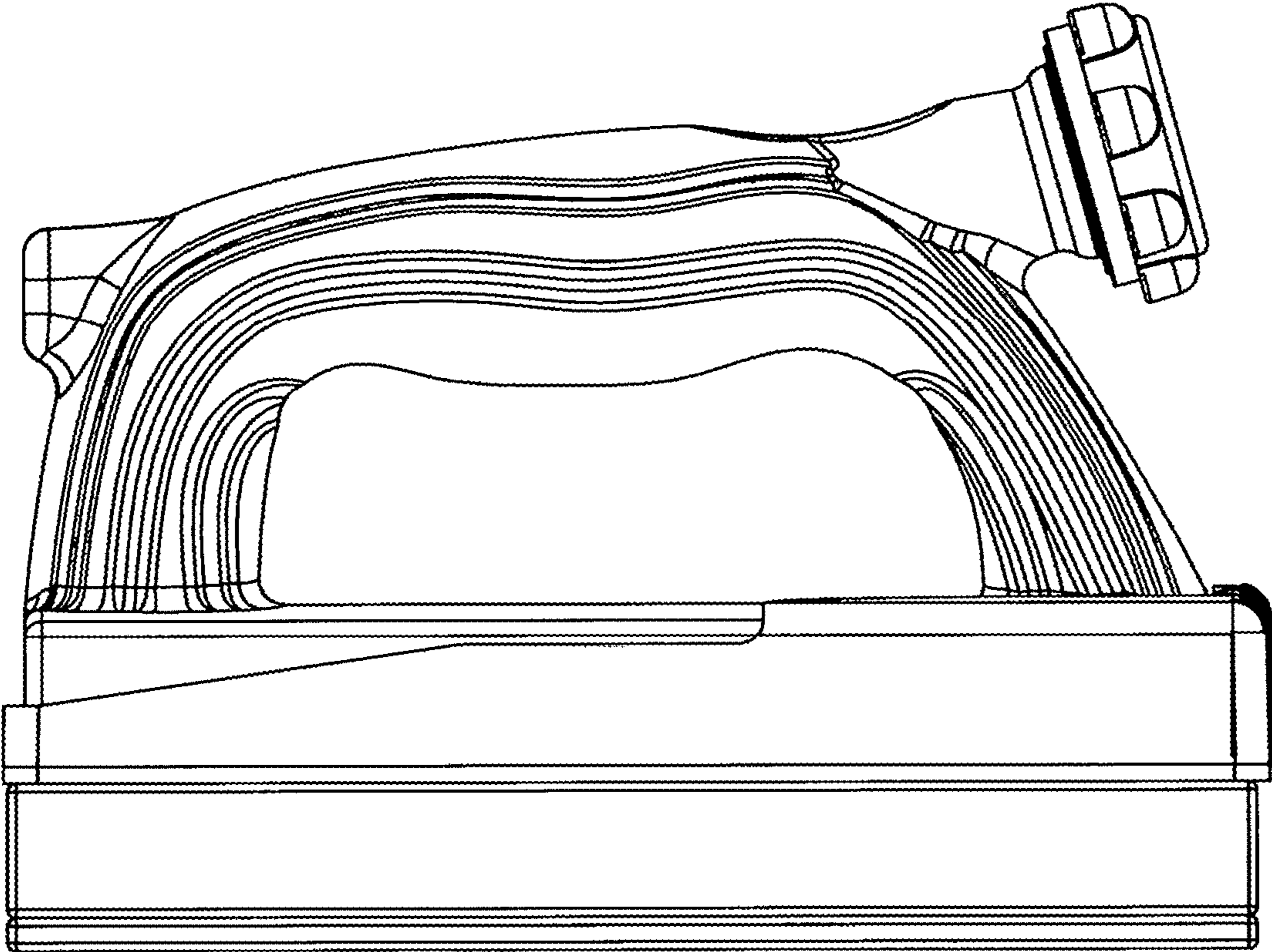


Figure 4

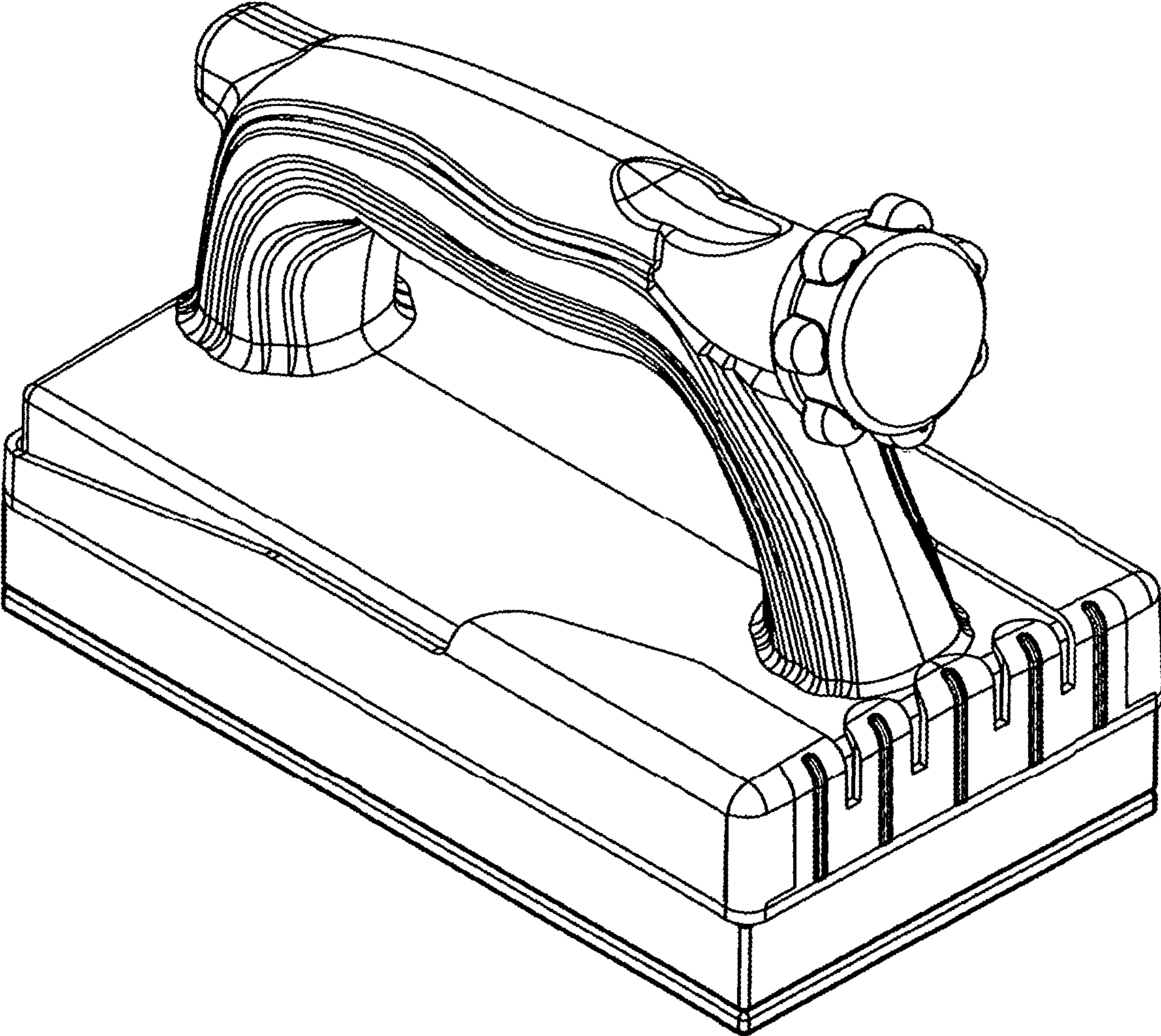


Figure 5

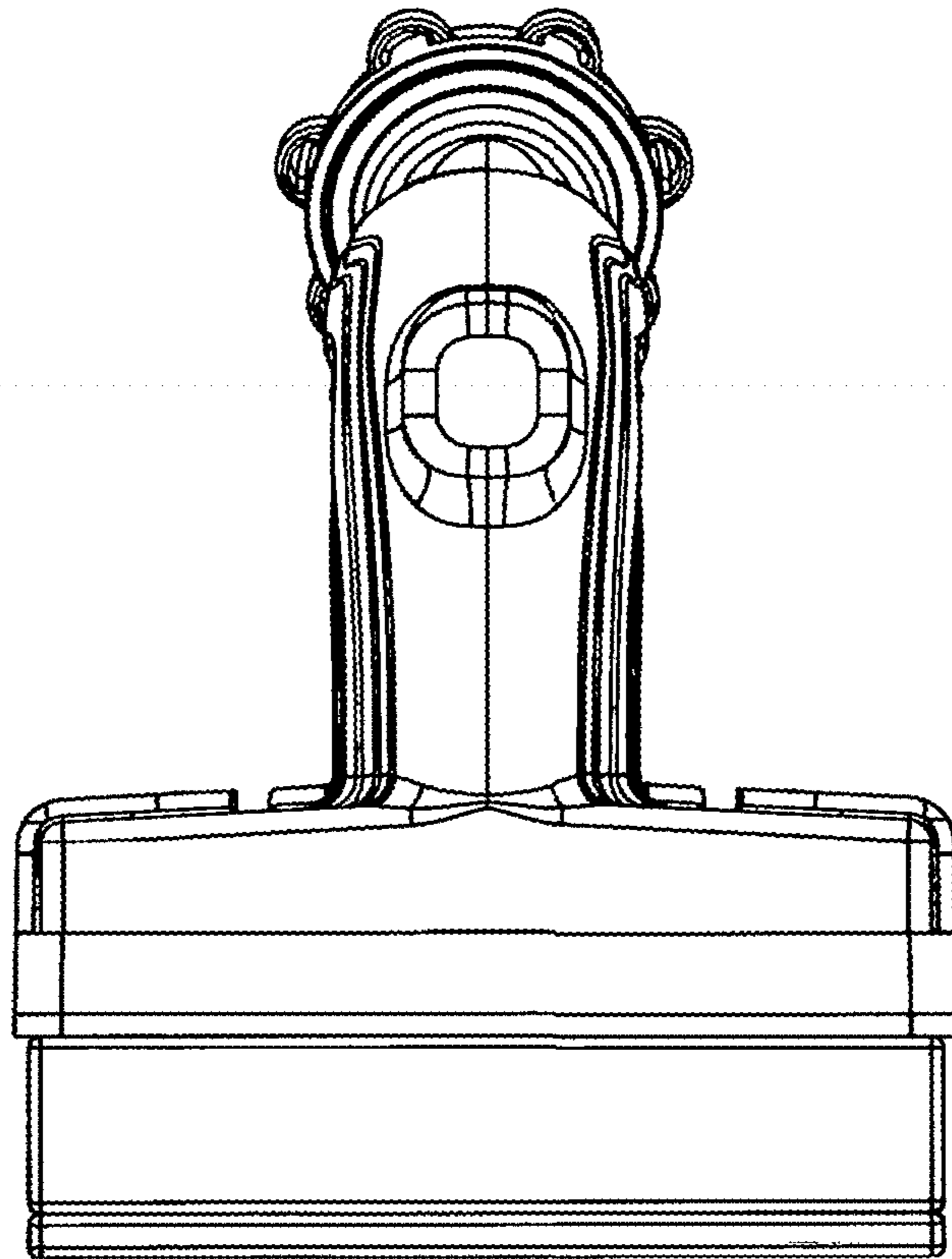


Figure 6

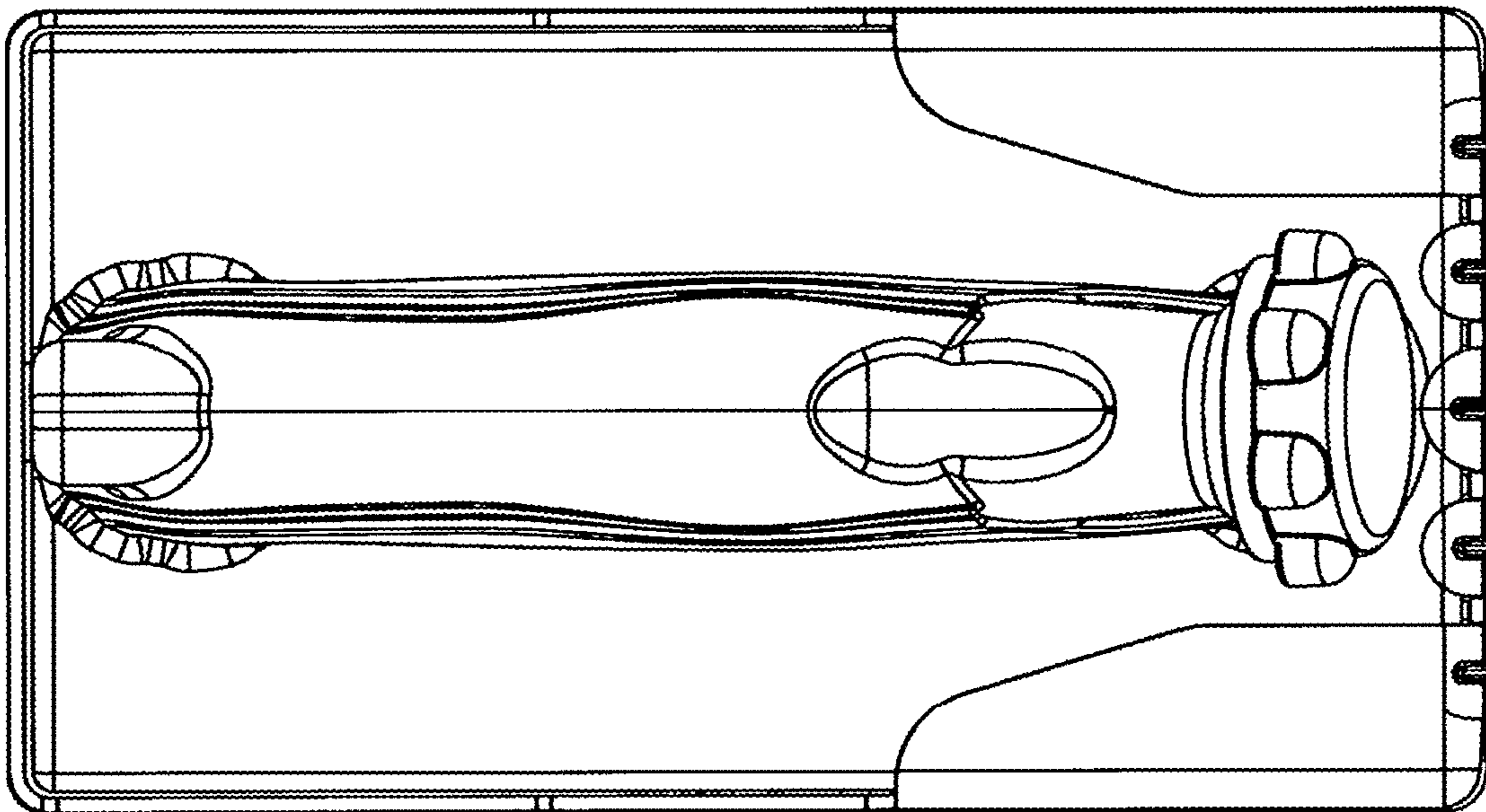


Figure 7

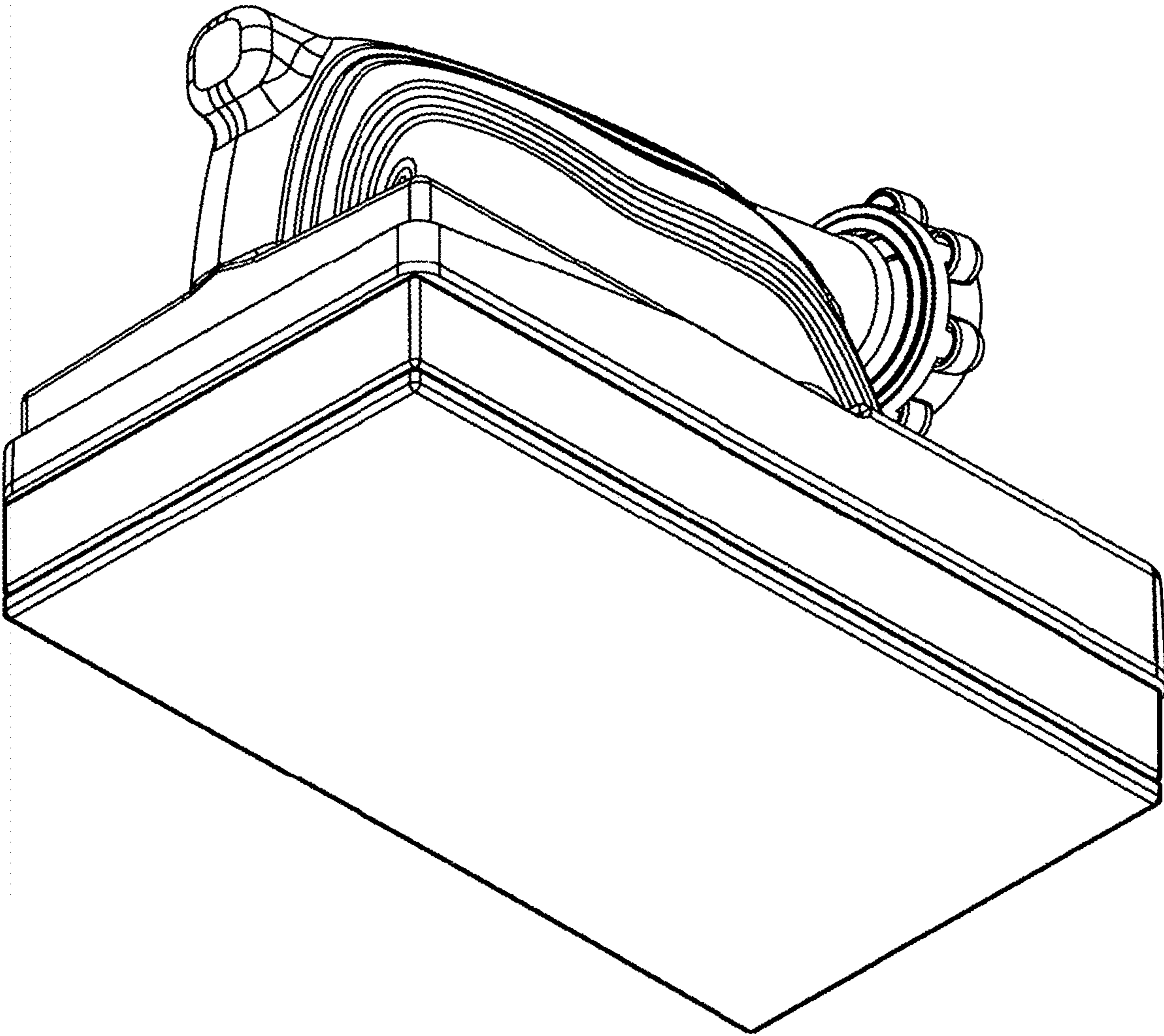


Figure 8

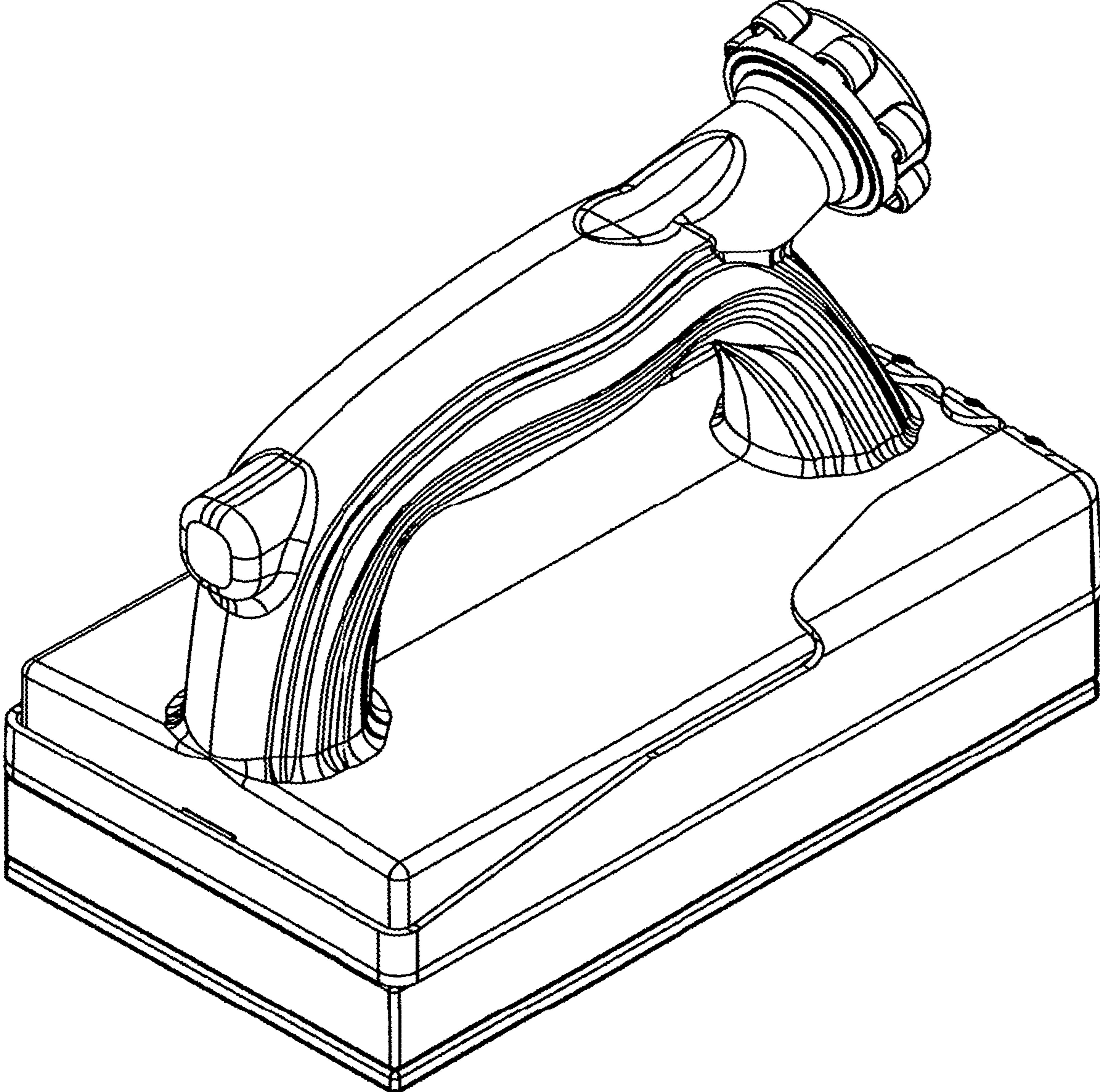


Figure 9

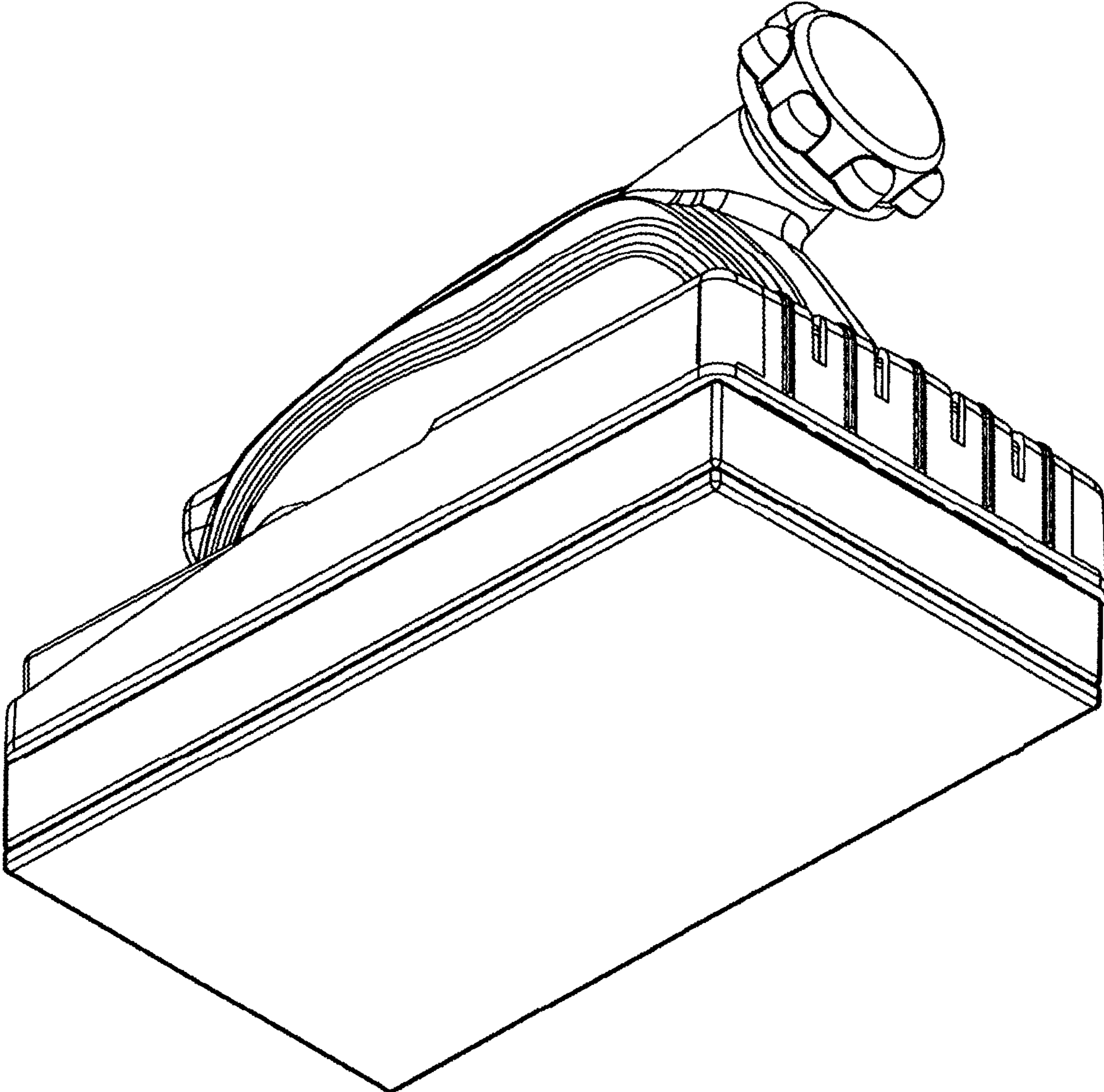


Figure 10