



US00D955073S

(12) **United States Design Patent**
Tan

(10) **Patent No.:** **US D955,073 S**
(45) **Date of Patent:** **** Jun. 14, 2022**

(54) **ROBOTIC VACUUM CLEANER**

(71) Applicant: **SHENZHEN MODERN BUSINESS TRADING CO., LTD.**, Shenzhen (CN)

(72) Inventor: **Yuanming Tan**, Shenzhen (CN)

(73) Assignee: **SHENZHEN MODERN BUSINESS TRADING CO., LTD.**, Shenzhen (CN)

(**) Term: **15 Years**

(21) Appl. No.: **29/800,217**

(22) Filed: **Jul. 20, 2021**

(51) **LOC (13) Cl.** **15-05**

(52) **U.S. Cl.**
USPC **D32/21**

(58) **Field of Classification Search**
USPC D32/1, 15, 21, 31; D8/70, 310, 330; D10/37-38, 50, 106.2, 106.5; D13/108, D13/209, 254; D21/526, 578; D15/199
CPC . A47L 5/08; A47L 5/30; A47L 7/0004; A47L 9/04; A47L 9/168; A47L 9/2805; A47L 9/2873; A47L 11/4011; A47L 11/4016; A47L 11/4038; A47L 11/4041; A47L 11/4044; A47L 2201/02; A47L 2201/04; A47L 2201/06; B08B 9/035; B25J 9/0003; B25J 9/1694; E04H 4/1636; F21V 33/0044; G05D 1/0225; G06N 3/008

See application file for complete search history.

(56) **References Cited**

U.S. PATENT DOCUMENTS

D539,996 S	4/2007	Owens	
D548,902 S *	8/2007	Chun	D32/21
D835,869 S *	12/2018	Li	D32/21
D840,617 S *	2/2019	Dou	D32/21
D862,010 S	10/2019	Smith et al.	
D867,701 S *	11/2019	Mi	D32/31
D869,109 S *	12/2019	Yu	D32/21
D872,953 S *	1/2020	Ebrahimi Afrouzi	D32/21

(Continued)

FOREIGN PATENT DOCUMENTS

GB	6122488	*	3/2021
GB	6122494	*	3/2021

(Continued)

OTHER PUBLICATIONS

Abir X8 Robot Vacuum Cleaner, available in www.gearbest.com, customer review oldest date Jun. 13, 2021 [online], [site visited Mar. 25, 2022], Available from the internet URL: https://www.gearbest.com/vacuum-cleaners/pp_3008627058527846.html#anchorGoodsReviews (Year: 2021).*

(Continued)

Primary Examiner — Amy C Wierenga
Assistant Examiner — Jennylou M Binas

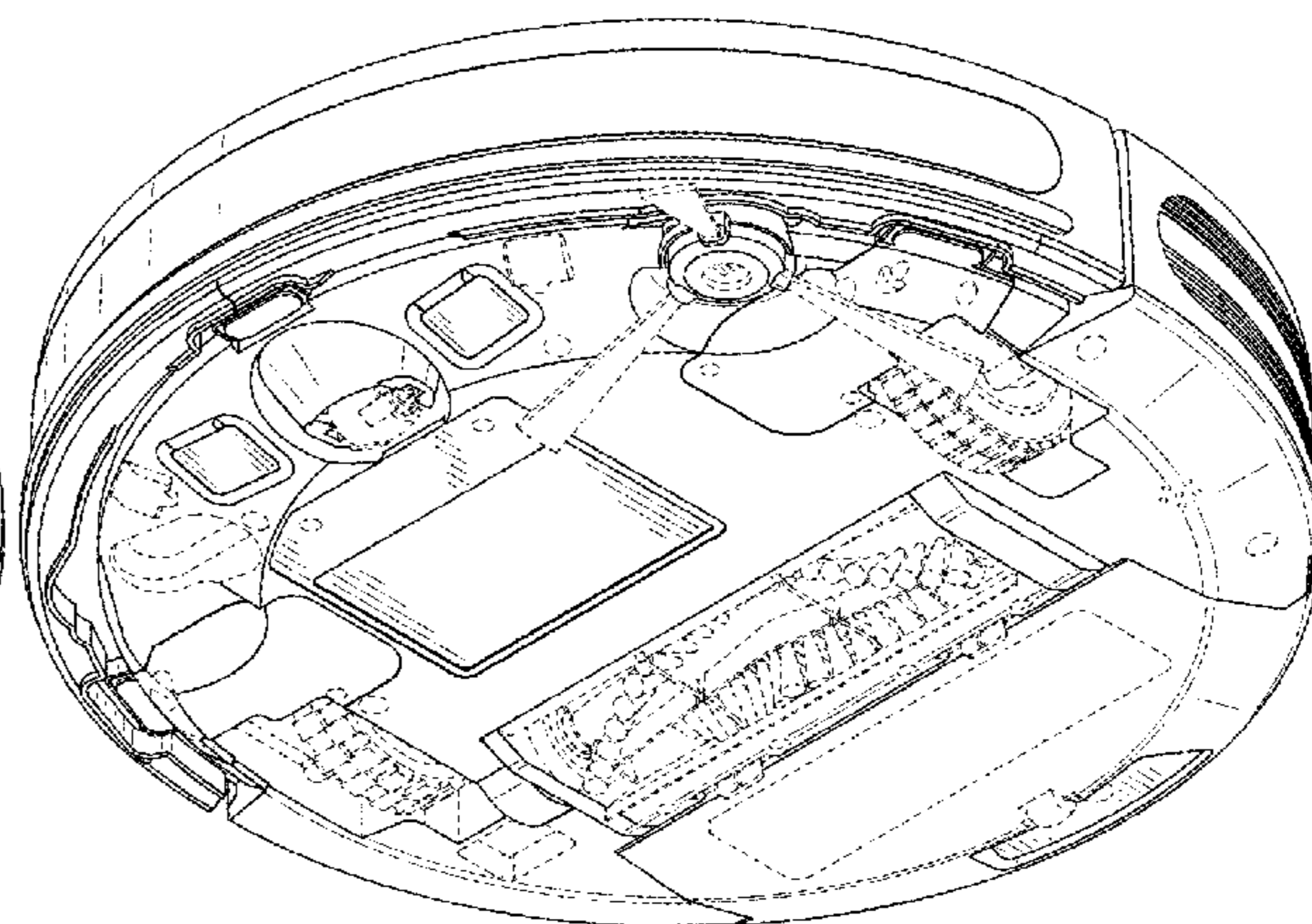
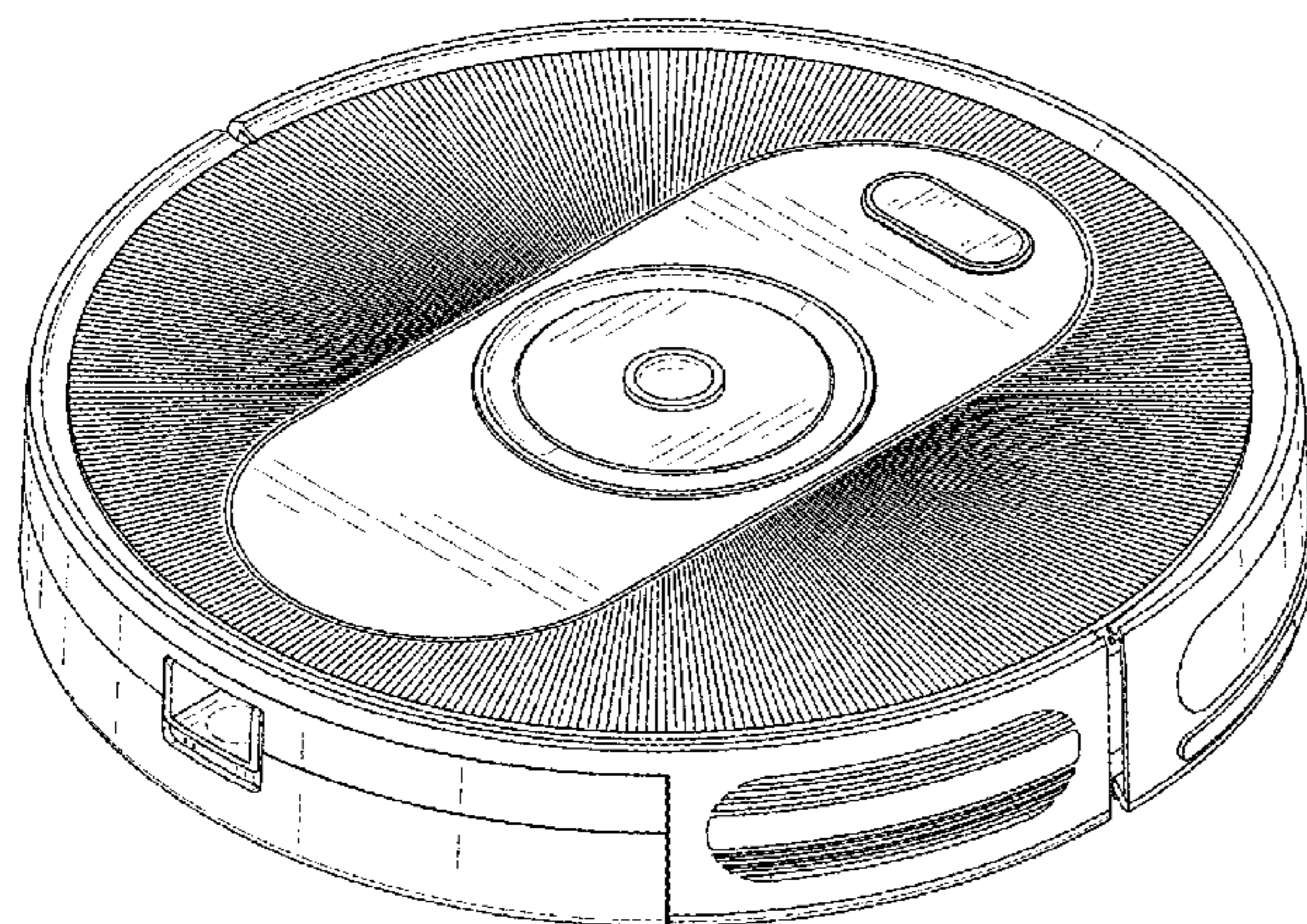
(57) **CLAIM**

The ornamental design for a robotic vacuum cleaner, as shown and described.

DESCRIPTION

FIG. 1 is a perspective view of a robotic vacuum cleaner showing my new design;
FIG. 2 is another perspective view thereof;
FIG. 3 is a front elevational view thereof;
FIG. 4 is a rear elevational view thereof;
FIG. 5 is a left side elevational view thereof;
FIG. 6 is a right side elevational view thereof;
FIG. 7 is a top plan view thereof;
FIG. 8 is a bottom plan view thereof; and,
FIG. 9 is an enlarged view of portion 9 shown in FIG. 3.
The dash-dash broken lines in the drawings depict portions of the robotic vacuum cleaner that form no part of the claimed design. The dot-dash broken lines represent boundaries of the enlarged portion and form no part of the claimed design.

1 Claim, 9 Drawing Sheets



(56)

References Cited

U.S. PATENT DOCUMENTS

D884,298	S	*	5/2020	Li	D32/21
D885,698	S	*	5/2020	Li	D32/21
D885,699	S	*	5/2020	Li	D32/21
10,725,477	B2	*	7/2020	Nan	G05D 1/0238
D893,819	S	*	8/2020	Li	D32/21
D902,508	S	*	11/2020	Ebrahimi Afrouzi	D32/21
D903,961	S	*	12/2020	Li	D32/21
D906,607	S	*	12/2020	Chen	D32/21
D906,608	S	*	12/2020	Li	D32/21
D921,308	S	*	6/2021	Cao	D32/21
D922,011	S	*	6/2021	Ren	D32/21
D927,108	S	*	8/2021	Choi	D32/21
D929,690	S	*	8/2021	Cheng	A47L 9/009 D15/199
D932,123	S	*	9/2021	Li	D32/21
D933,319	S	*	10/2021	Lyu	D15/199
D935,712	S	*	11/2021	Wang	D32/21
D938,116	S	*	12/2021	Yu	D32/21
D948,143	S	*	4/2022	Pearce	D32/21

FOREIGN PATENT DOCUMENTS

JP	D1668025	*	9/2020
WO	D090487-001	*	10/2016

OTHER PUBLICATIONS

Amarey A800 Robot Vacuum Cleaner, announced in YouTube on Aug. 22, 2018 [online], [site visited Oct. 19, 2020], Available from

the internet URL: <https://www.youtube.com/watch?v=OF2c8YKJeGY> (Year: 2018).*

Bagotte Super-Thin, 1500Pa Strong Suction, Quiet, Self-Charging Robotic Vacuum Cleaner, available in Amazon.com, date first available Apr. 4, 2018 [online], [site visited Mar. 25, 2022], Available from the internet URL: https://www.amazon.com/dp/B09F3NH5S8/ref=sspa_dk_detail_6 (Year: 2021).*

Mi Robot Vacuum Setup & Review—Automatic Vacuum Cleaner It Works, announced in YouTube on Oct. 26, 2017 [online], [site visited Oct. 19, 2020], Available from the internet URL: <https://www.youtube.com/watch?v=HlqzWMq849c> (Year: 2017).*

Bagotte BG800 Robot Vacuum Cleaner, available in Amazon.com, date first available Jan. 20, 2021 [online], [site visited Mar. 25, 2022], Available from the internet URL: https://www.amazon.com/dp/B09F9HJ3H2/ref=sspa_dk_detail_3 (Year: 2021).*

Deenkee Robot Vacuum Cleaner, available in www.ubuy.dk, customer review oldest date Feb. 8, 2022 [online], [site visited Mar. 25, 2022], Available from the internet URL: <https://www.ubuy.dk/en/product/4JHR0SHX6-robot-vacuum-deenkee-3000pa-wifi-strong-suction-slim-robotic-vacuum-self-charging-robot-vacuum-cleaner-work-with-alexa-180-mins-runtime-ultra-quiet> (Year: 2022).*

Uoni V980Plus Robot Vacuum Cleaner, available in Amazon.com, date first available Apr. 8, 2021 [online], [site visited Mar. 25, 2022], Available from the internet URL: <https://www.amazon.com/V980Plus-Vacuum-Cleaner-Self-Emptying-Dustbin/dp/B0922P9QGT> (Year: 2021).*

* cited by examiner

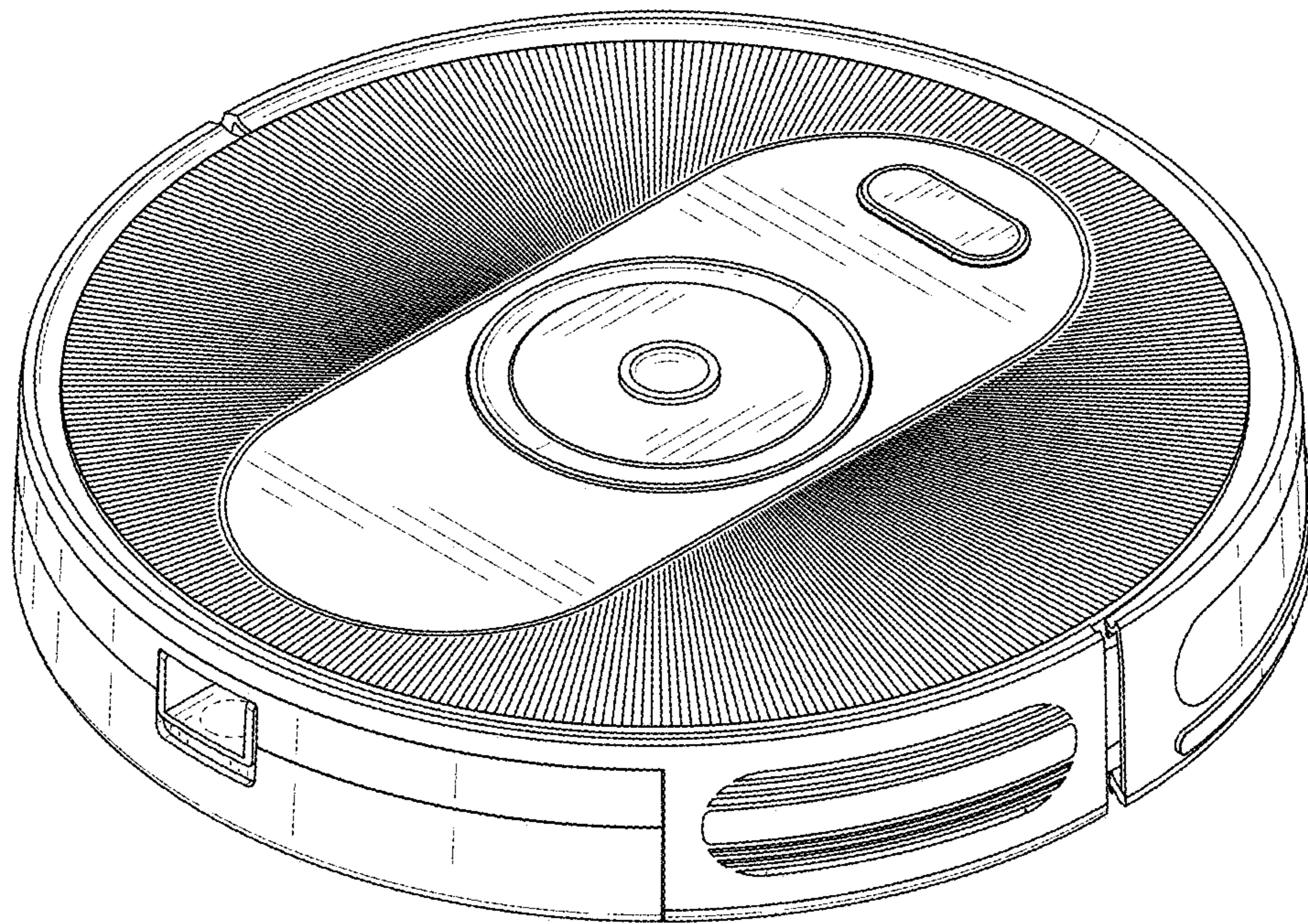


FIG. 1

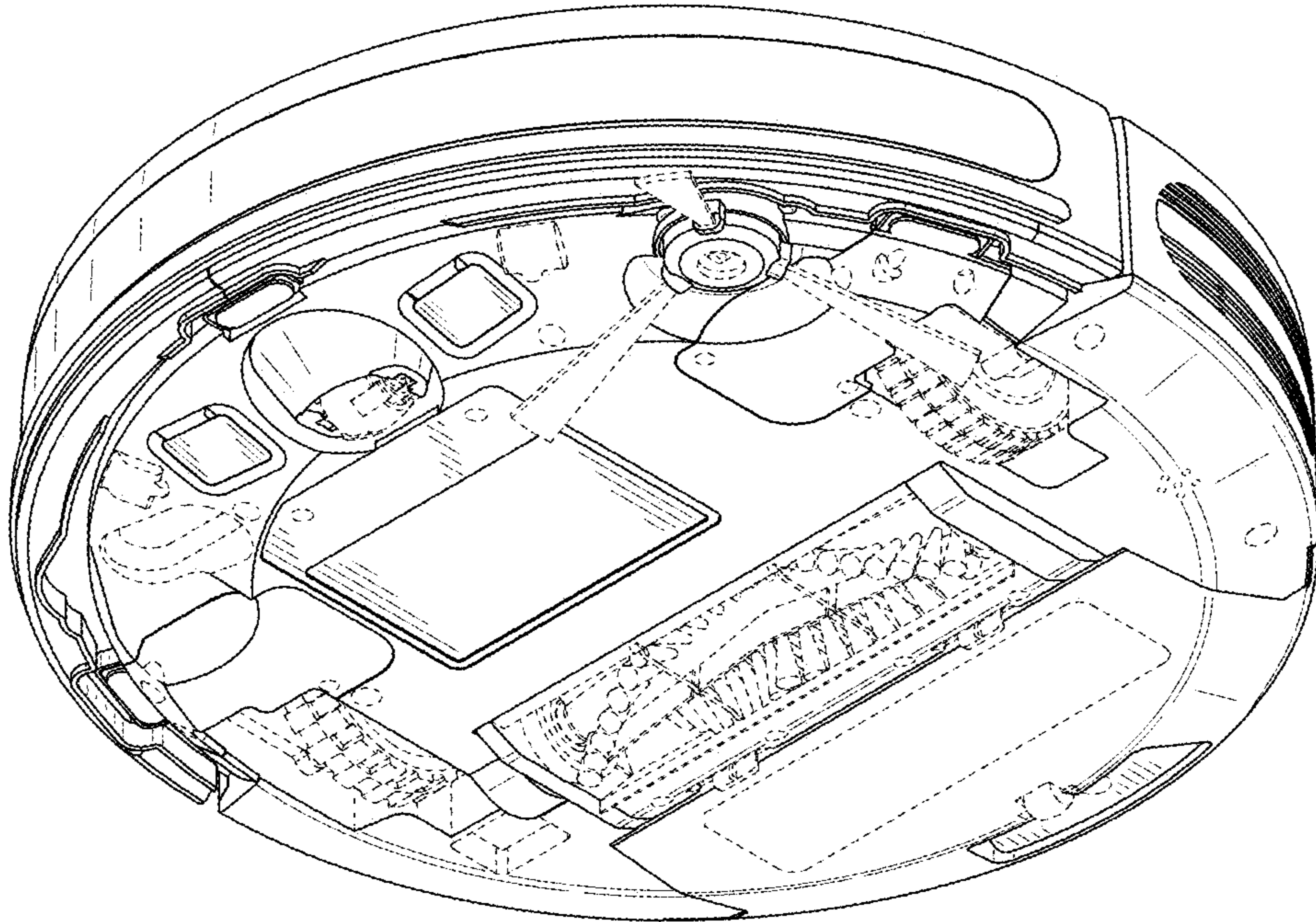


FIG. 2

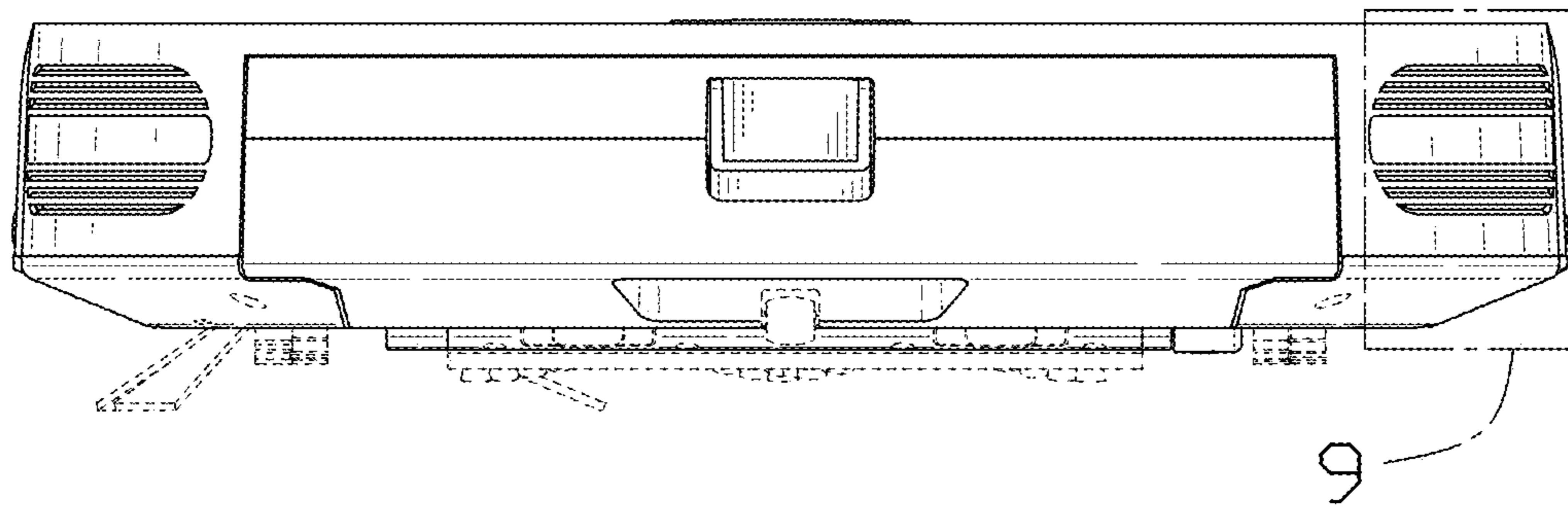


FIG. 3

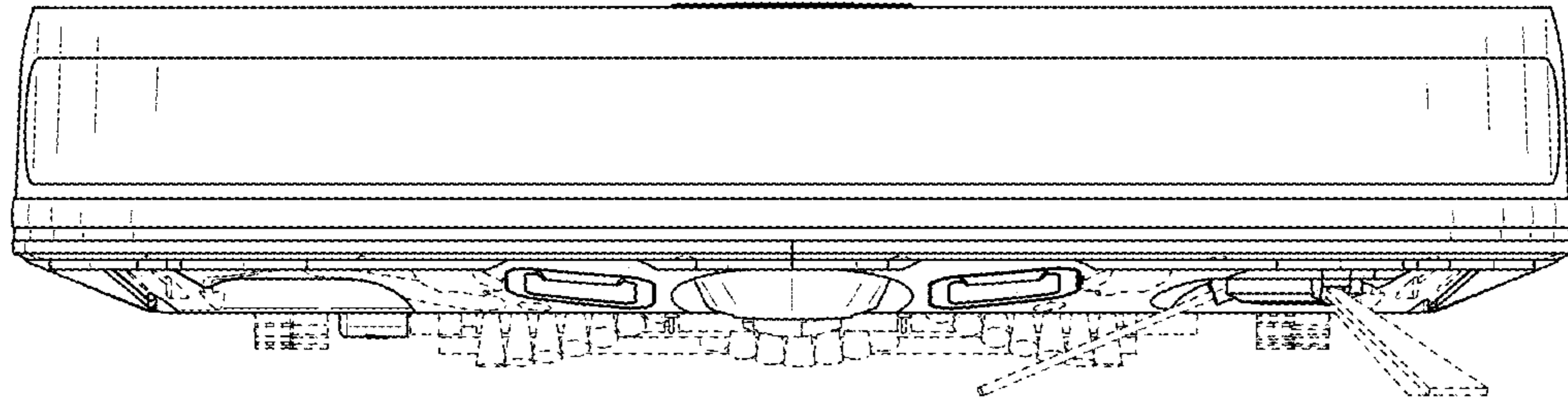


FIG. 4

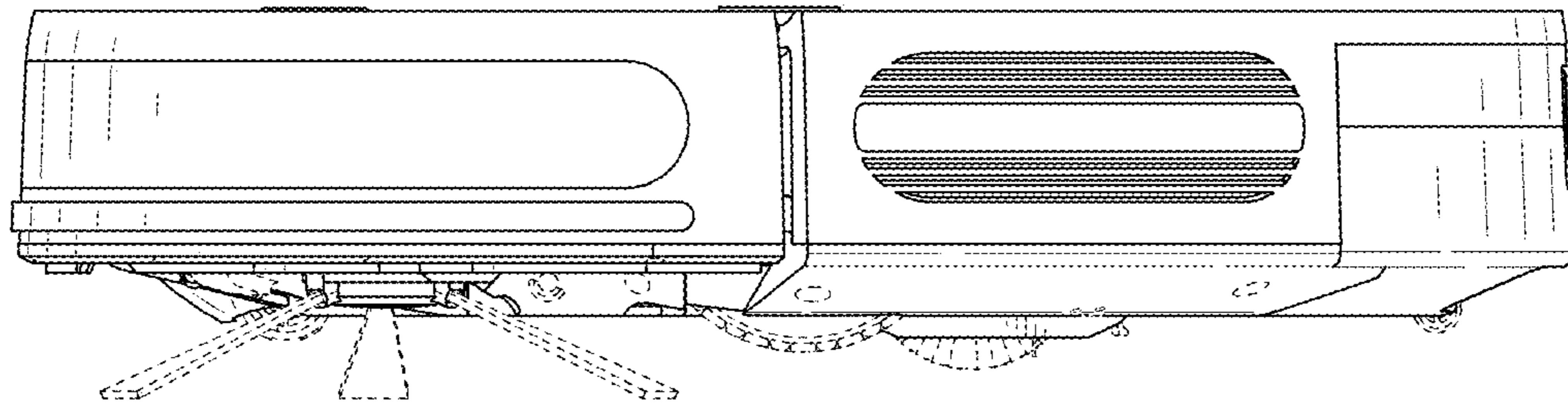


FIG. 5

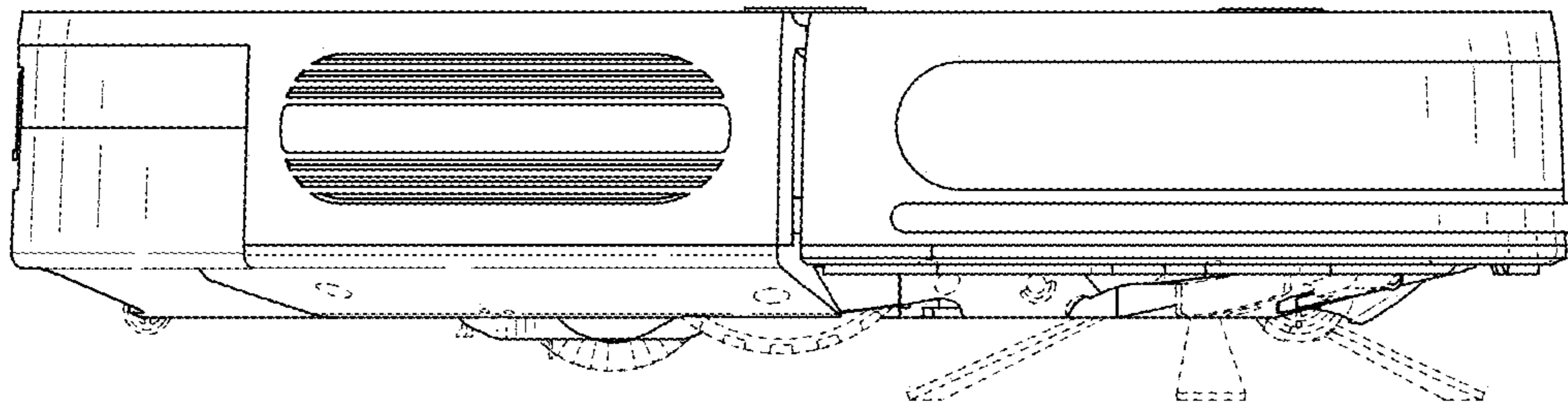


FIG. 6

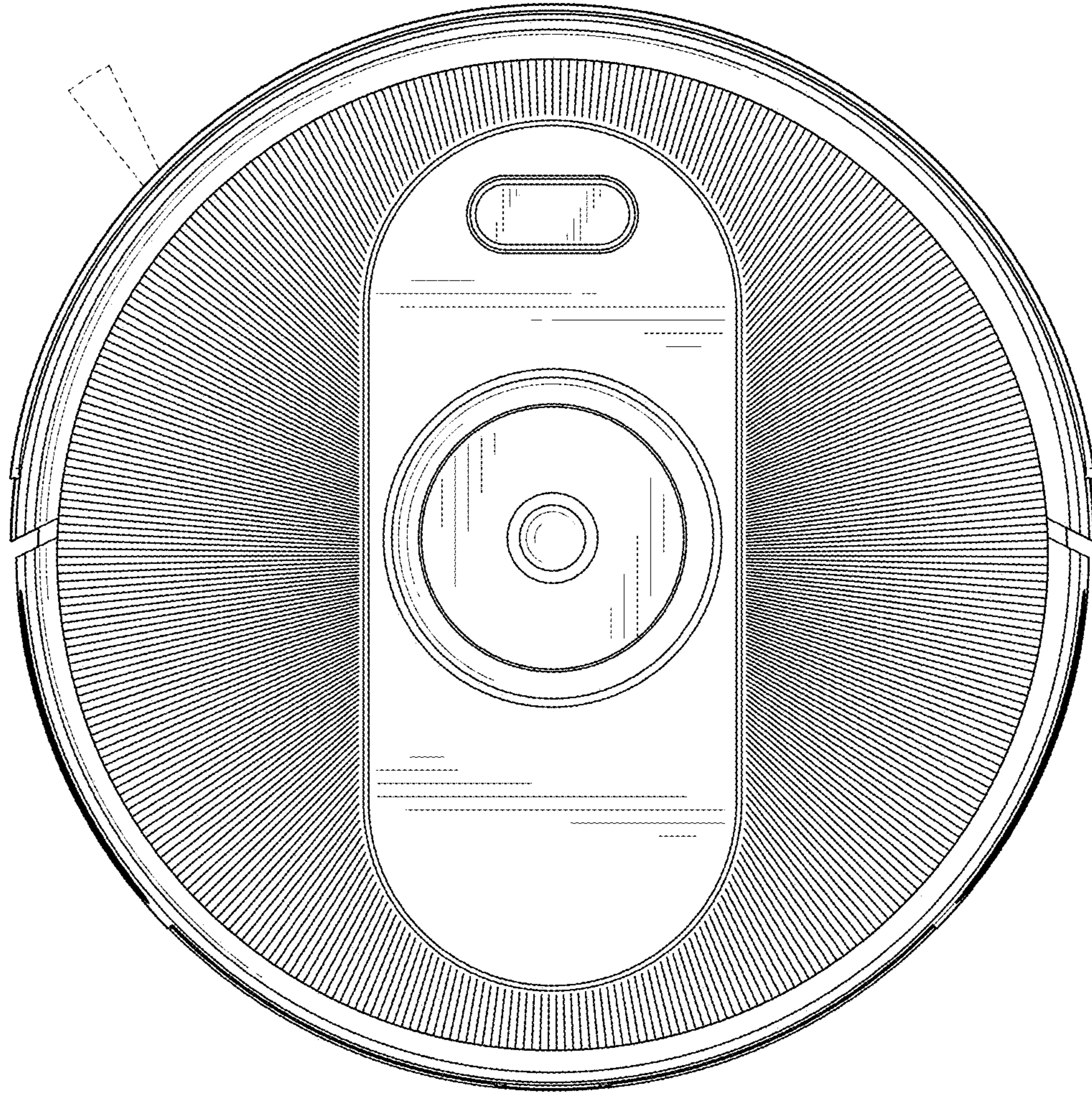


FIG. 7

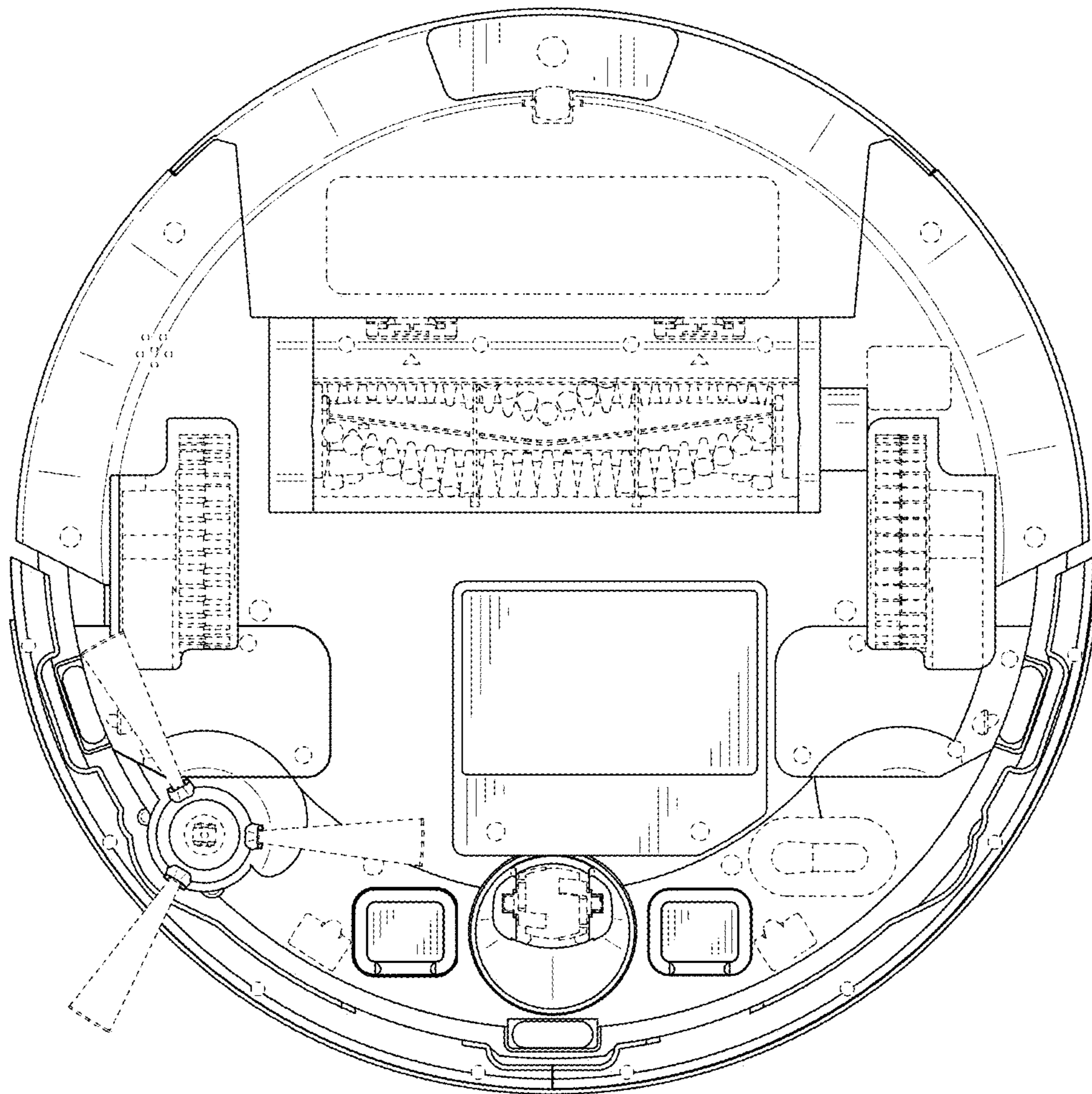


FIG. 8

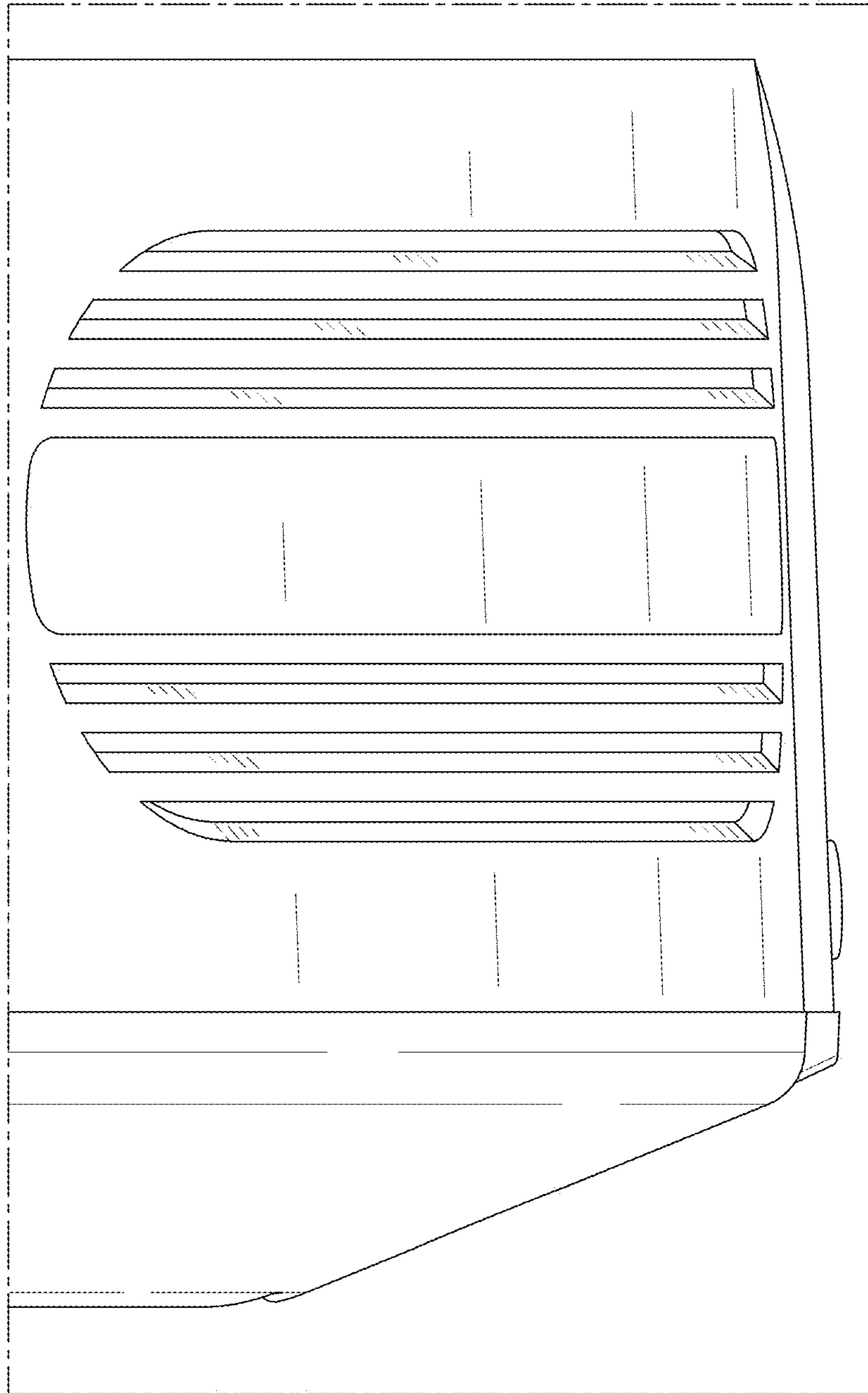


FIG. 9