



US00D955071S

(12) **United States Design Patent**
Wilhelm

(10) **Patent No.:** **US D955,071 S**
(45) **Date of Patent:** **** Jun. 14, 2022**

- (54) **SOLID WASTE TOOL**
- (71) Applicant: **Doskocil Manufacturing Company, Inc.**, Arlington, TX (US)
- (72) Inventor: **Josiah Wilhelm**, Columbia Station, OH (US)
- (73) Assignee: **DOSKOCIL MANUFACTURING COMPANY, INC.**, Arlington, TX (US)

D316,315 S *	4/1991	Elrod	294/1.4
D374,110 S *	9/1996	Hull	294/1.4
D381,778 S *	7/1997	Semo	294/1.4
D406,415 S *	3/1999	Martin	D30/162
6,062,168 A *	5/2000	Host	E01H 1/1206 119/161
D437,462 S *	2/2001	Whall	294/1.4
D461,027 S *	7/2002	Gardner	D30/162
D530,459 S *	10/2006	White	D30/162
D613,915 S *	4/2010	Plotkin	D30/162
D618,402 S *	6/2010	Larman	D30/162

(Continued)

(**) Term: **15 Years**

(21) Appl. No.: **29/725,099**

(22) Filed: **Feb. 21, 2020**

(51) **LOC (13) Cl.** **30-99**

(52) **U.S. Cl.**
USPC **D30/162**

(58) **Field of Classification Search**
USPC D30/161, 162, 199; 119/867, 161,
119/163-172, 174; D8/10
CPC A01K 1/01; A01K 1/0107; A01K 1/0121;
A01K 1/011; A01K 1/0117; A01K
1/0135; A01K 1/0114; A01K 1/0125;
A01K 1/015; A01K 1/0157; A01K
1/0152; A01K 1/0155; A01K 1/0154

See application file for complete search history.

(56) **References Cited**

U.S. PATENT DOCUMENTS

D209,660 S *	12/1967	Lind	D30/162
3,879,079 A *	4/1975	Nicholas	E01H 1/1206 294/1.4
3,977,715 A *	8/1976	Casci	E01H 1/1206 294/1.4
4,257,636 A *	3/1981	Mainprice	E01H 1/1206 294/1.4
D263,512 S *	3/1982	Kawada	294/1.4
4,349,224 A *	9/1982	Shiozaki	E01H 1/1206 294/1.4
D279,512 S *	7/1985	Schaffer	D30/162

OTHER PUBLICATIONS

“Petmate 70067 Arm & Hammer Swivel Bin & Rake Pooper Scooper” available Jun. 28, 2012, [online], [site visited Apr. 20, 2021]. Retrieved from Internet, URL:https://www.amazon.com/Petmate-71034-Scooper-Scented-Included/dp/B008FNKQSU/ref=psdc_3052415011_t2_B003N2ZVCE?th=1 (Year: 2012).*

(Continued)

Primary Examiner — Michael C Stout
Assistant Examiner — Katrina N Gonzalez
(74) *Attorney, Agent, or Firm* — Global IP Counselors, LLP

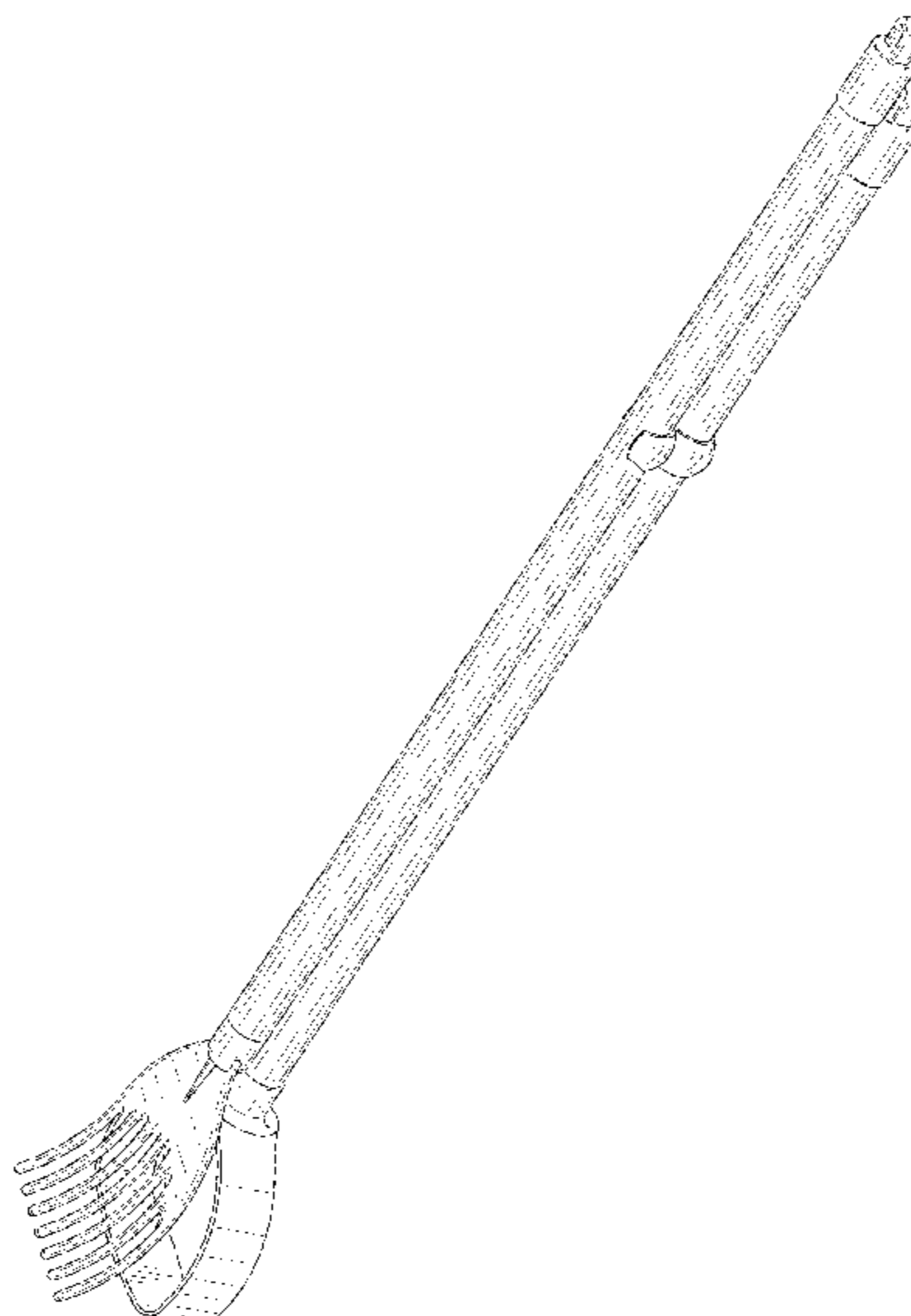
(57) **CLAIM**

The ornamental design for a solid waste tool, as shown and described.

DESCRIPTION

FIG. 1 is a top perspective view of a solid waste tool in accordance with my new design;
FIG. 2 is a top view thereof;
FIG. 3 is a bottom view thereof;
FIG. 4 is a right side view thereof;
FIG. 5 is a left side view thereof;
FIG. 6 is a back view thereof; and,
FIG. 7 is a front view thereof.

1 Claim, 4 Drawing Sheets



(56)

References Cited

U.S. PATENT DOCUMENTS

D676,201 S * 2/2013 Browne D30/162
D679,558 S * 4/2013 Margeson D8/1
D796,126 S * 8/2017 Gonzalez D30/162
D874,751 S * 2/2020 Smith D30/162

OTHER PUBLICATIONS

“SKYFIELD Dog Pooper Scooper” available Jul. 19, 2019, [online], [site visited Apr. 20, 2021]. Retrieved from Internet, URL:https://www.amazon.com/SKYFIELD-Pooper-Scooper-3-Stage-Extendable/dp/B07T48JWFX/ref=sr_1_28_sspa (Year: 2019).*

“Zoom Scoop Pooper Scooper” available Jun. 11, 2020, [online], [site visited Apr. 20, 2021]. Retrieved from Internet, URL:https://www.amazon.com/Zoom-Scoop-Scooper-Portable-Sanitary/dp/B08B1VVMRG/ref=sr_1_104 (Year: 2020).*

* cited by examiner

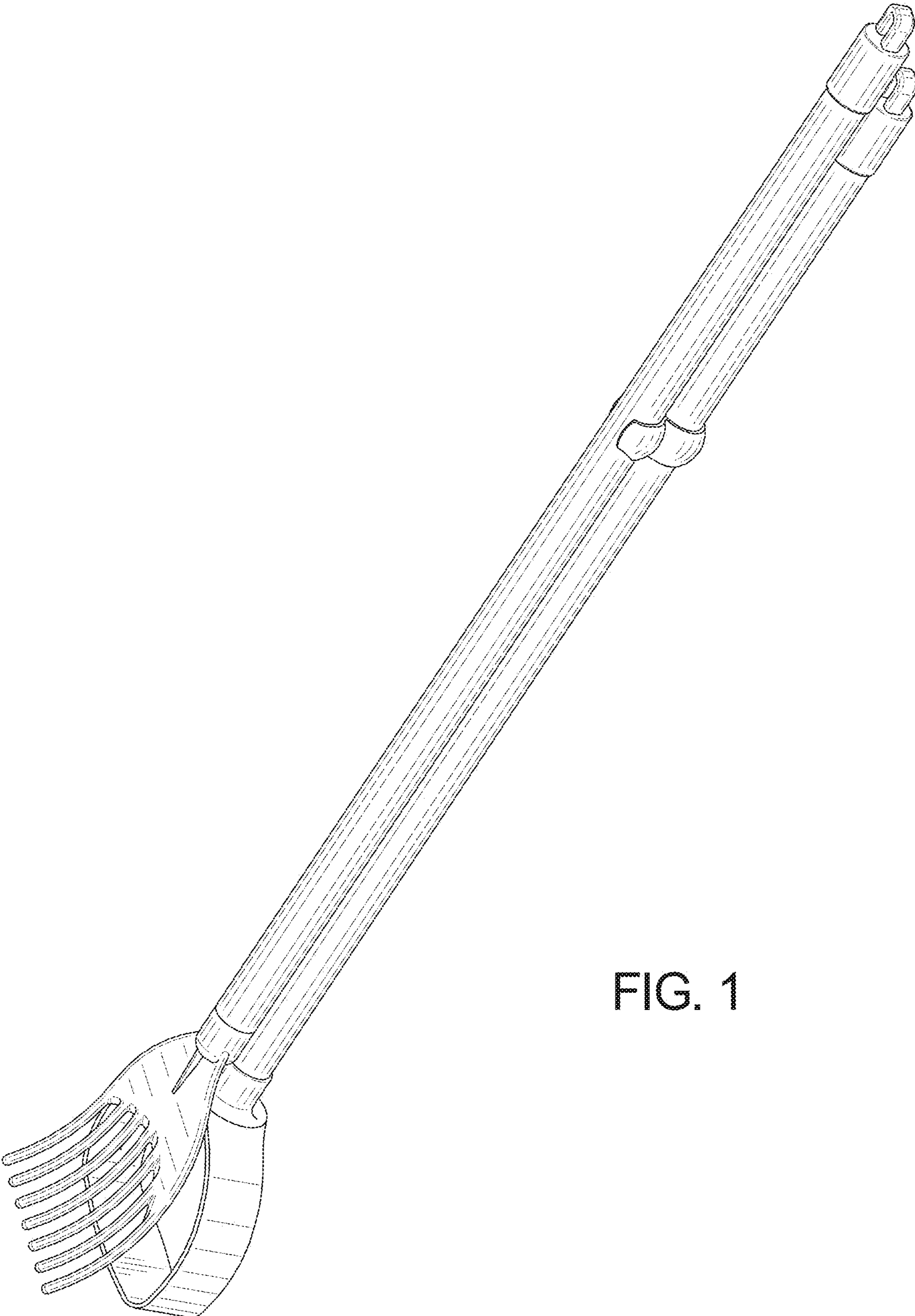


FIG. 1

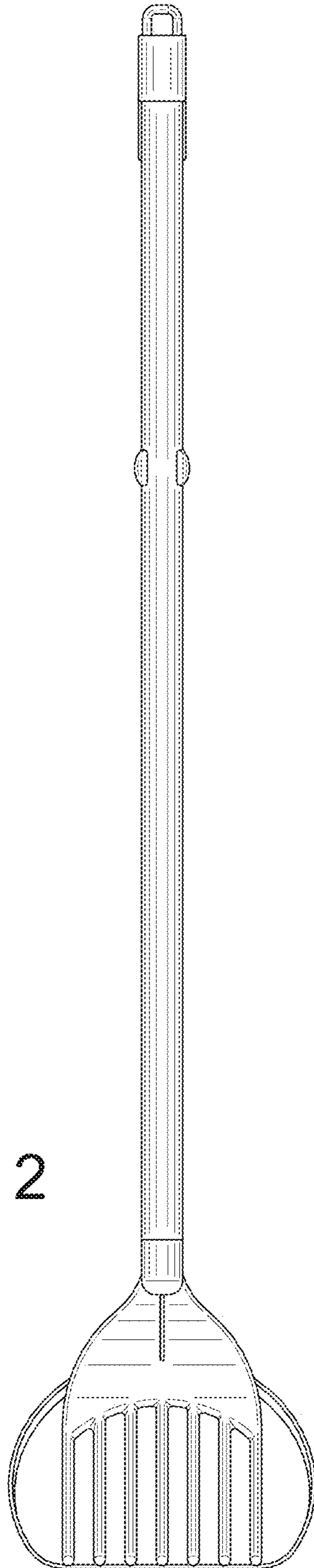


FIG. 2

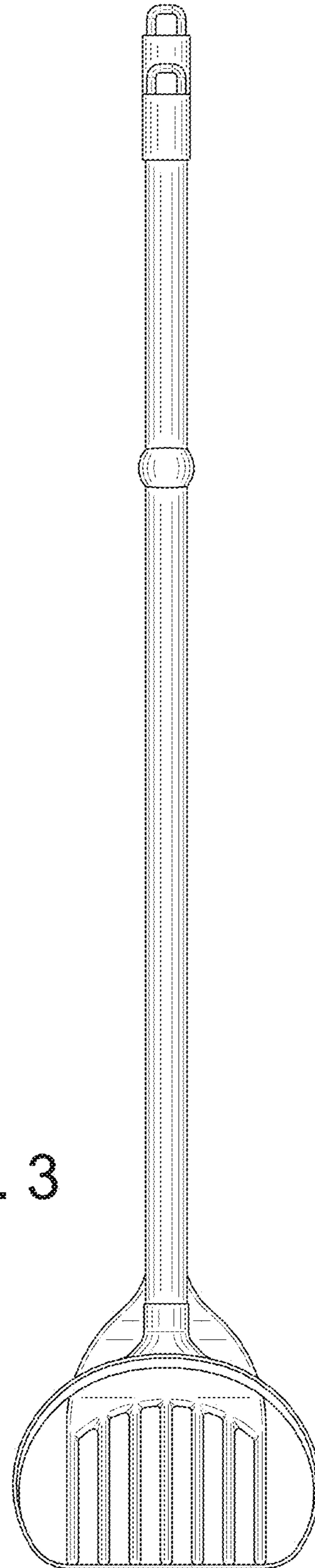


FIG. 3

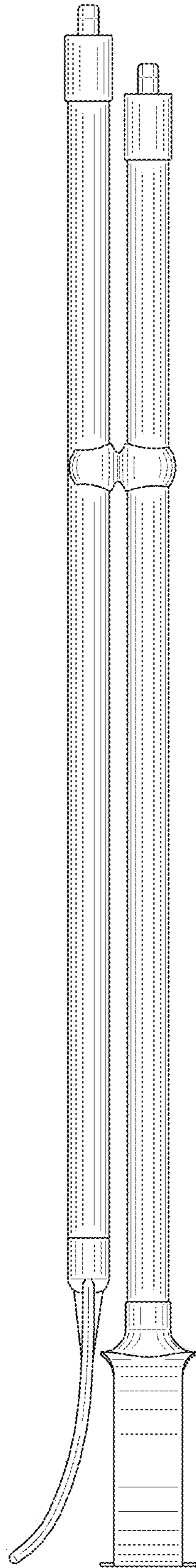


FIG. 4

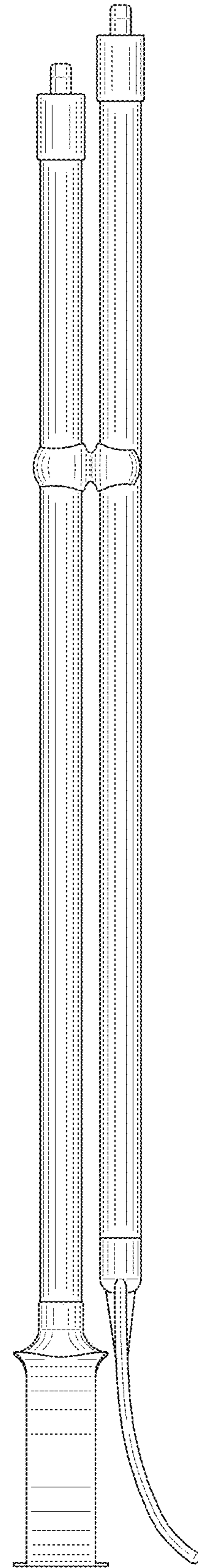


FIG. 5

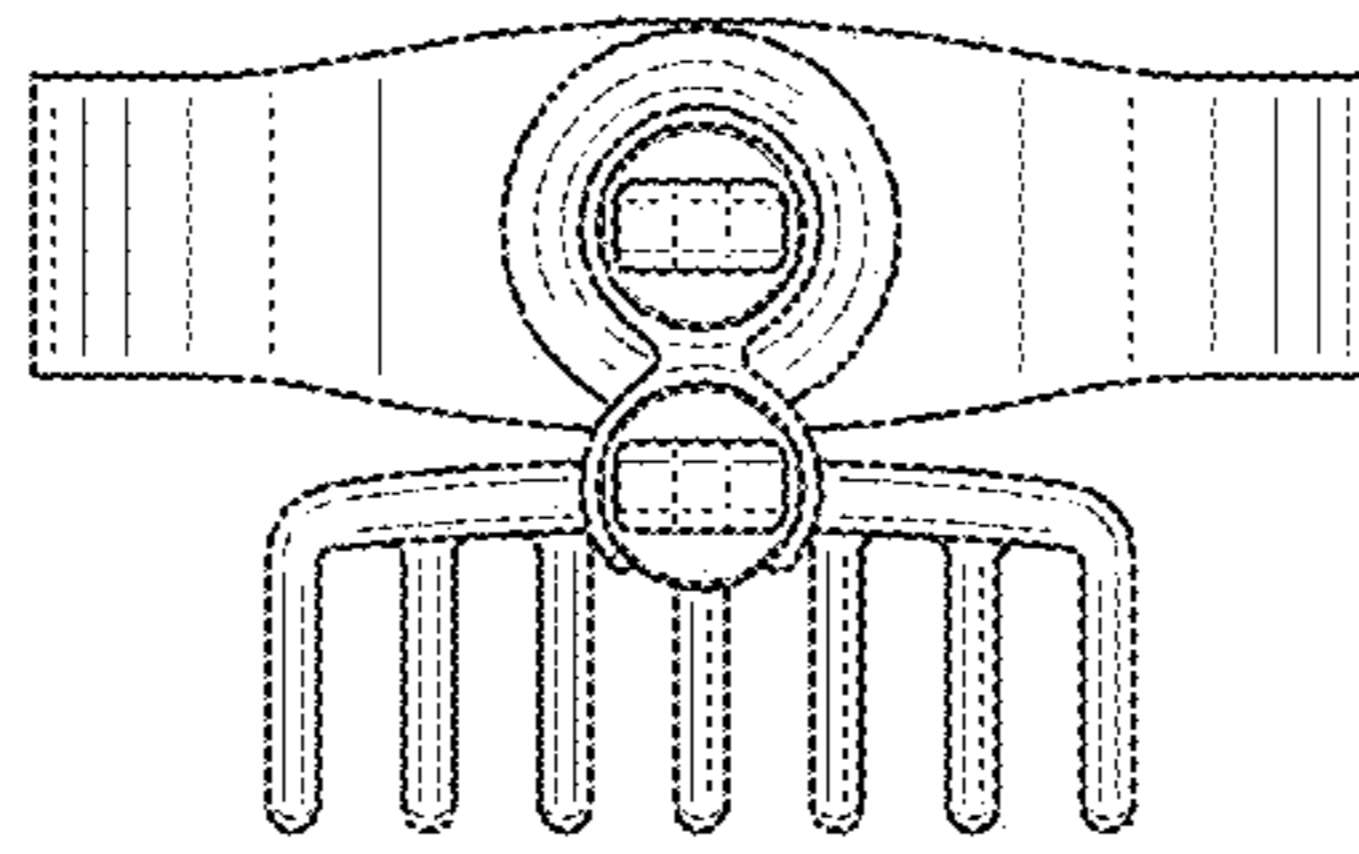


FIG. 6

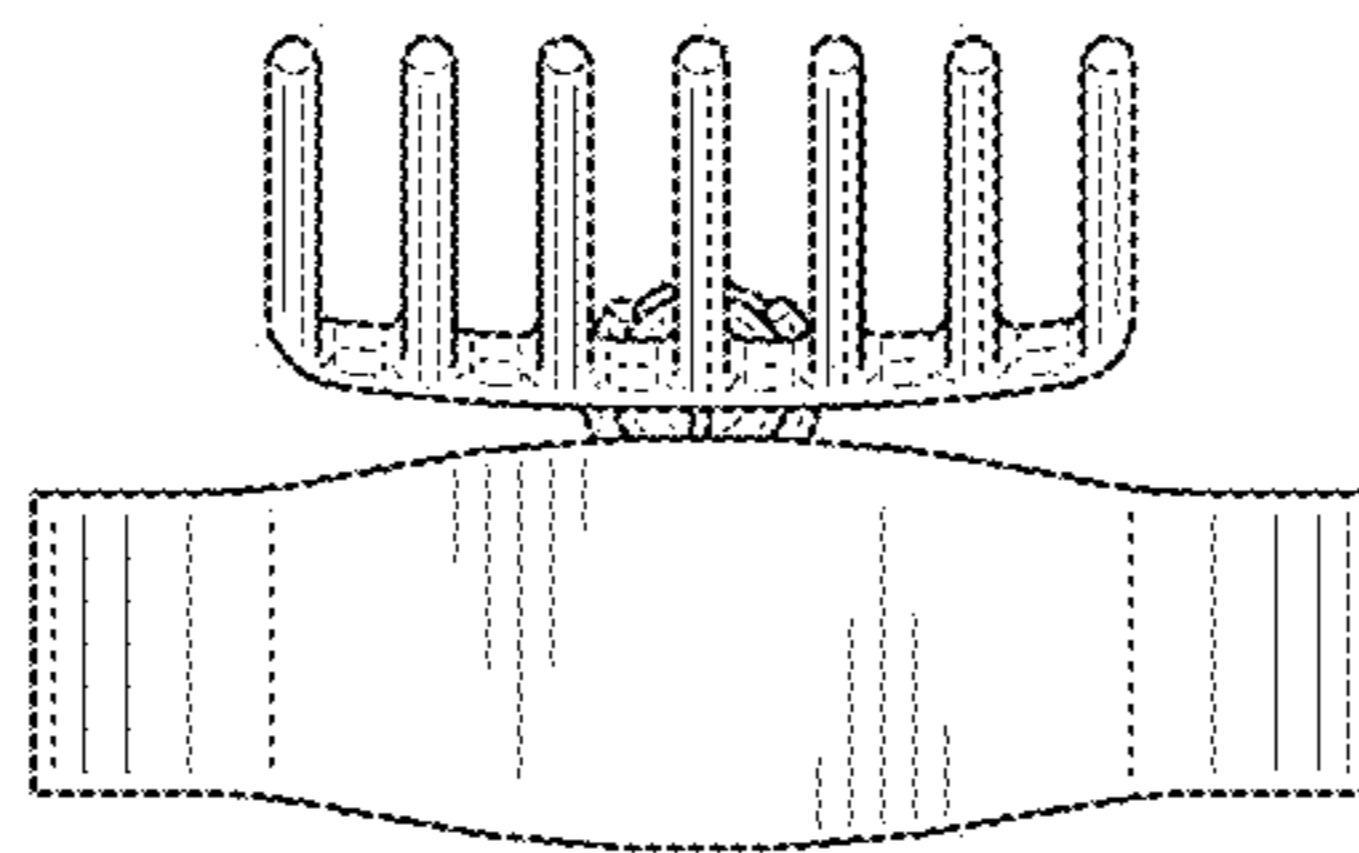


FIG. 7