



US00D955066S

(12) **United States Design Patent**  
**Miller**

(10) **Patent No.:** **US D955,066 S**  
(45) **Date of Patent:** **\*\* Jun. 14, 2022**

(54) **COMBINED THERAPEUTIC PET PILLOW AND HARNESS**

(71) Applicant: **Jamie C. Miller**, Richmond, VA (US)

(72) Inventor: **Jamie C. Miller**, Richmond, VA (US)

(\*\*) Term: **15 Years**

(21) Appl. No.: **29/652,203**

(22) Filed: **Jun. 10, 2020**

(51) **LOC (13) Cl.** ..... **30-04**

(52) **U.S. Cl.**  
USPC ..... **D30/152**

(58) **Field of Classification Search**  
USPC ..... D30/144, 151, 152, 153, 199; D6/601;  
D24/190, 191, 206  
CPC .. A01K 27/002; A01K 13/006; A01K 1/0263;  
A01K 29/00; A47C 7/383; A47G 9/1081;  
A61F 5/055; Y10S 128/23  
See application file for complete search history.

(56) **References Cited**

**U.S. PATENT DOCUMENTS**

- 1,986,697 A \* 1/1935 Wilson ..... A47C 20/021  
5/630
- 3,070,090 A 12/1962 Taylor et al.
- D263,616 S \* 3/1982 Canty ..... D21/803
- D313,677 S 1/1991 Hammon et al.
- D323,218 S 1/1992 Kamensky
- D348,174 S 6/1994 Genis
- D364,713 S 11/1995 Daville
- D419,267 S \* 1/2000 Hartunian ..... D24/191
- D434,535 S 11/2000 Koch
- 6,457,195 B1 \* 10/2002 Holste ..... A47C 7/383  
5/636
- D469,541 S 1/2003 Cheatham
- D475,139 S 5/2003 Myoga
- D489,211 S \* 5/2004 Grannum ..... D6/601

- D552,742 S 10/2007 Leatt
  - D582,045 S 12/2008 James
  - D599,504 S 9/2009 Halip et al.
  - D617,907 S 6/2010 Waller
  - D668,004 S \* 9/2012 Price ..... D30/152
  - D686,737 S 7/2013 Nasir
- (Continued)

**OTHER PUBLICATIONS**

“WONDAY Dog Cone for After Surgery.” Found online Nov. 18, 2021 at [www.amazon.com](http://www.amazon.com). Product first available Jan. 11, 2021. Retrieved from URL: <https://www.amazon.com/dp/B08SPLY2DBX> (Year: 2021).\*

(Continued)

*Primary Examiner* — Mary Ann Calabrese  
*Assistant Examiner* — Katelin G Kloberg  
(74) *Attorney, Agent, or Firm* — Dunlap Bennett & Ludwig, PLLC; Brendan E. Squire

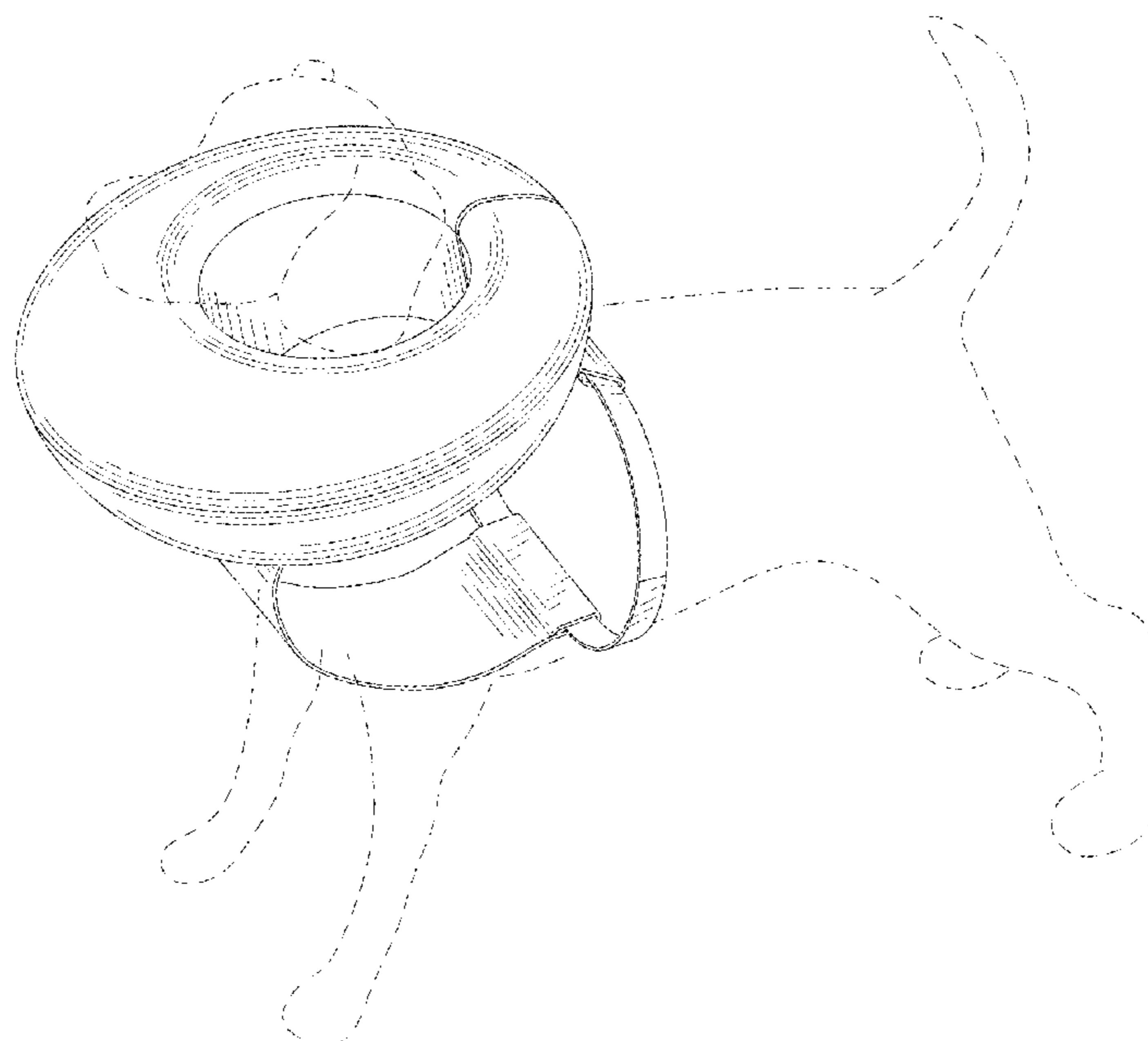
(57) **CLAIM**

The ornamental design for a combined therapeutic pet pillow and harness, as shown and described.

**DESCRIPTION**

FIG. 1 is a top front perspective view of a combined therapeutic pet pillow and harness showing my new design; FIG. 2 is a top rear perspective view thereof; FIG. 3 is a front elevation view thereof; FIG. 4 is a rear elevation view thereof; FIG. 5 is a right-side elevation view thereof; FIG. 6 is a left side elevation view thereof; FIG. 7 is a top plan view thereof; FIG. 8 is a bottom plan view thereof; and, FIG. 9 is a top front perspective view thereof, shown in use. The broken lines in FIG. 9 showing the combined therapeutic pet pillow and harness in use illustrates environment and forms no part of the claim.

**1 Claim, 5 Drawing Sheets**



(56)

References Cited

U.S. PATENT DOCUMENTS

D728,807	S	5/2015	Hansen	
D740,934	S	10/2015	Formica et al.	
D749,800	S	2/2016	Zimmermann et al.	
D762,926	S	8/2016	Ets-Hokin	
D777,935	S	1/2017	Shaffer	
D781,073	S	3/2017	Kashierski	
D791,991	S *	7/2017	Brauser .....	D26/39
D800,395	S	10/2017	Olley	
D821,992	S *	7/2018	Sung .....	D13/199
D823,558	S *	7/2018	Fitzpatrick .....	D30/152
D856,708	S	8/2019	Chen	
D857,216	S	8/2019	Fan et al.	
D862,803	S	10/2019	Yun	
D867,686	S *	11/2019	Yun .....	D30/152
D883,581	S *	5/2020	Daly .....	D30/152
D901,943	S *	11/2020	Abraham .....	D6/601
2013/0128556	A1 *	5/2013	Brauser .....	A01K 27/006 362/108
2016/0192795	A1 *	7/2016	Law .....	A47C 31/003 5/636

OTHER PUBLICATIONS

“Katoggy Inflatable Dog Cone Collar.” Found online Nov. 18, 2021 at [www.amazon.com](http://www.amazon.com). Product first available Nov. 9, 2020. Retrieved from URL: <https://www.amazon.com/Katoggy-Inflatable-Protective-Elizabethan-Scratching/dp/B08MZVPR3H> (Year: 2020).\*

“Inflatable Dog Collar Recovery Cone.” Found online Nov. 18, 2021 at [www.amazon.com](http://www.amazon.com). Product first available Aug. 23, 2018. Retrieved from URL: <https://www.amazon.com/Inflatable-Pet-Scratching-Adjustable-Comfortable/dp/B07GSJNK4B> (Year: 2018).\*

“BENCMATE Protective Inflatable Collar.” Found online Nov. 18, 2021 at [www.amazon.com](http://www.amazon.com). Product first available Apr. 28, 2017. Retrieved from URL: <https://www.amazon.com/Protective-Inflatable-Collar-Dogs-Collar/dp/B0725C5JGL?th=1> (Year: 2017).\*

\* cited by examiner

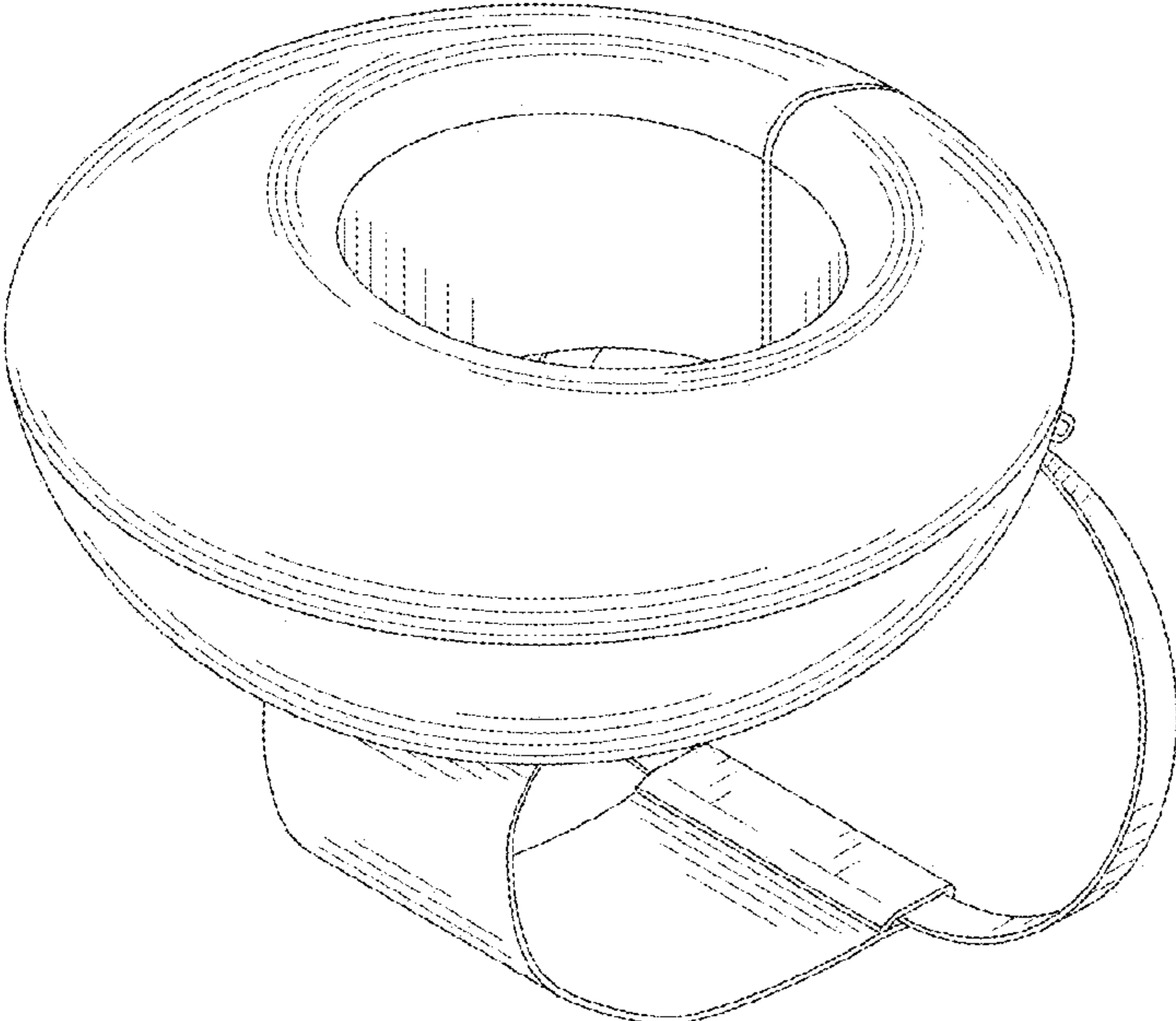


FIG. 1

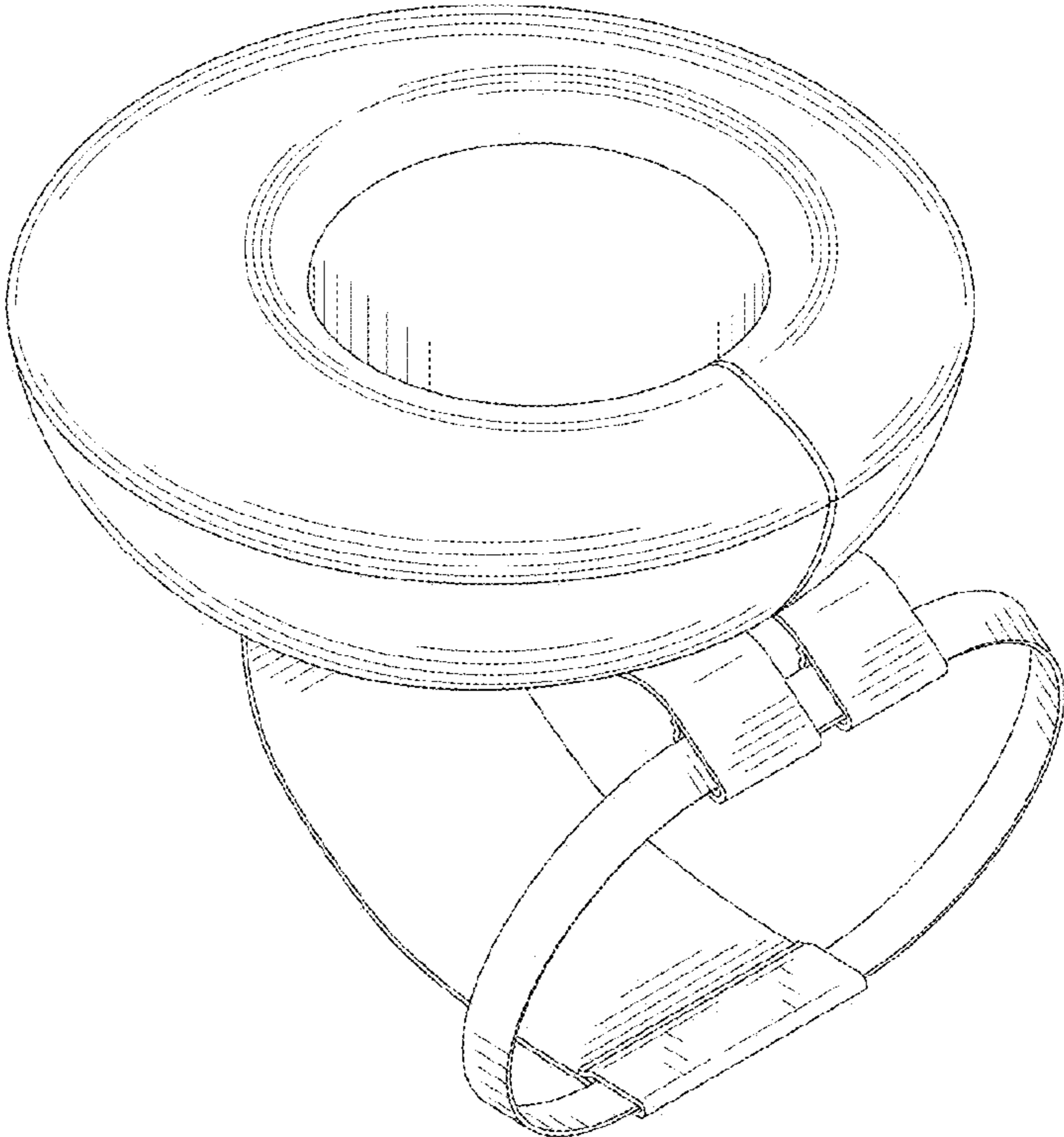


FIG. 2

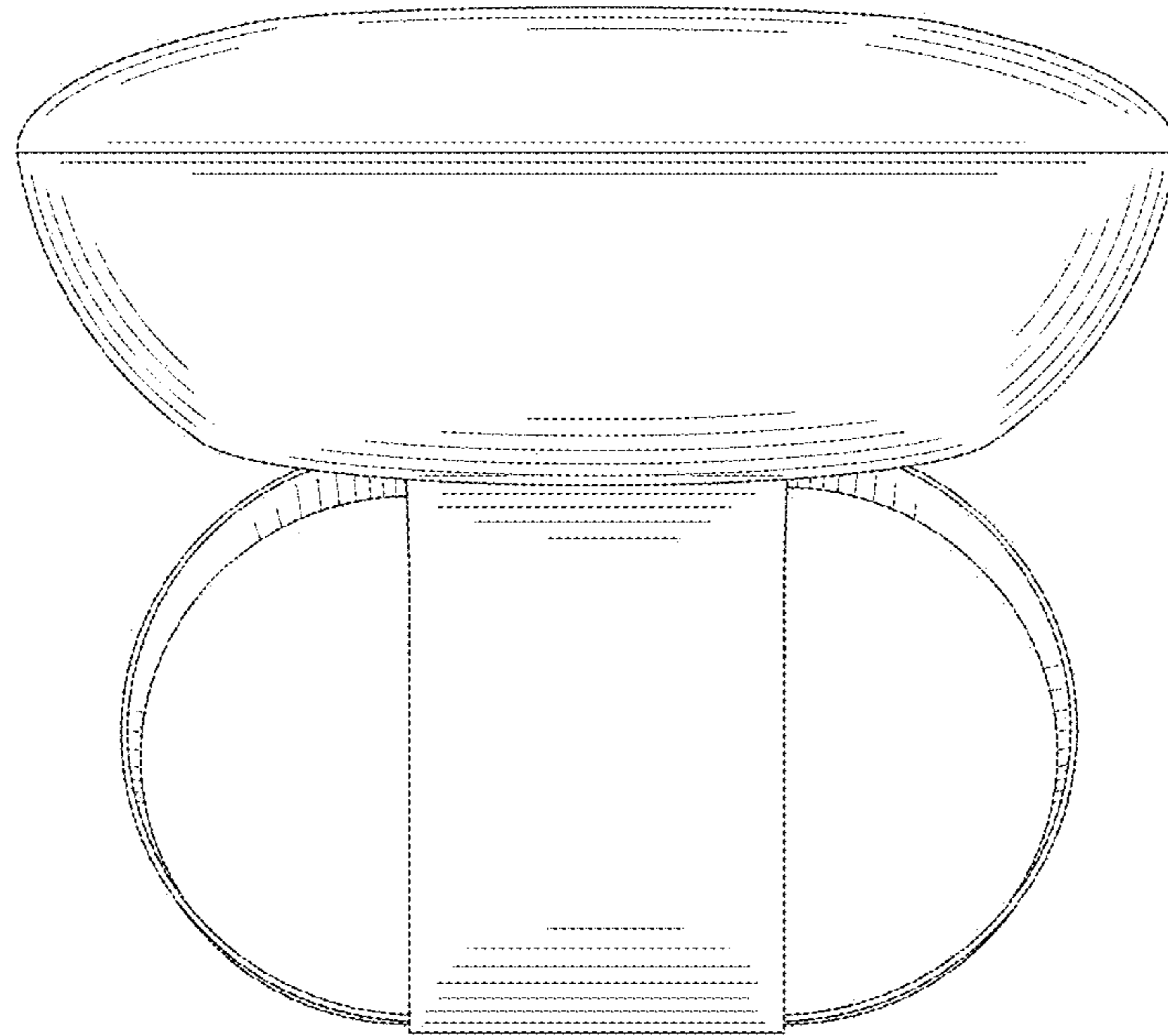


FIG. 3

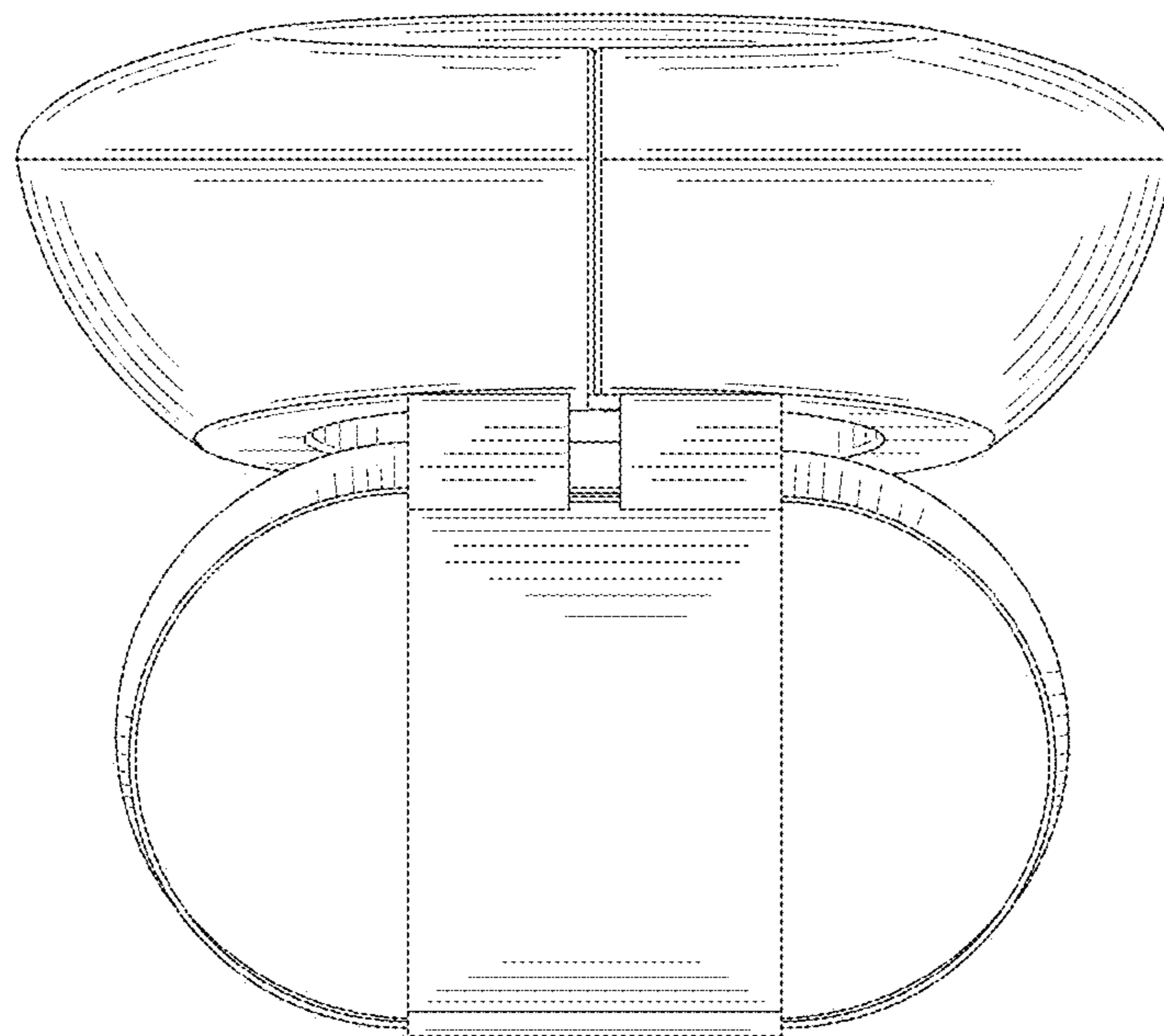


FIG. 4

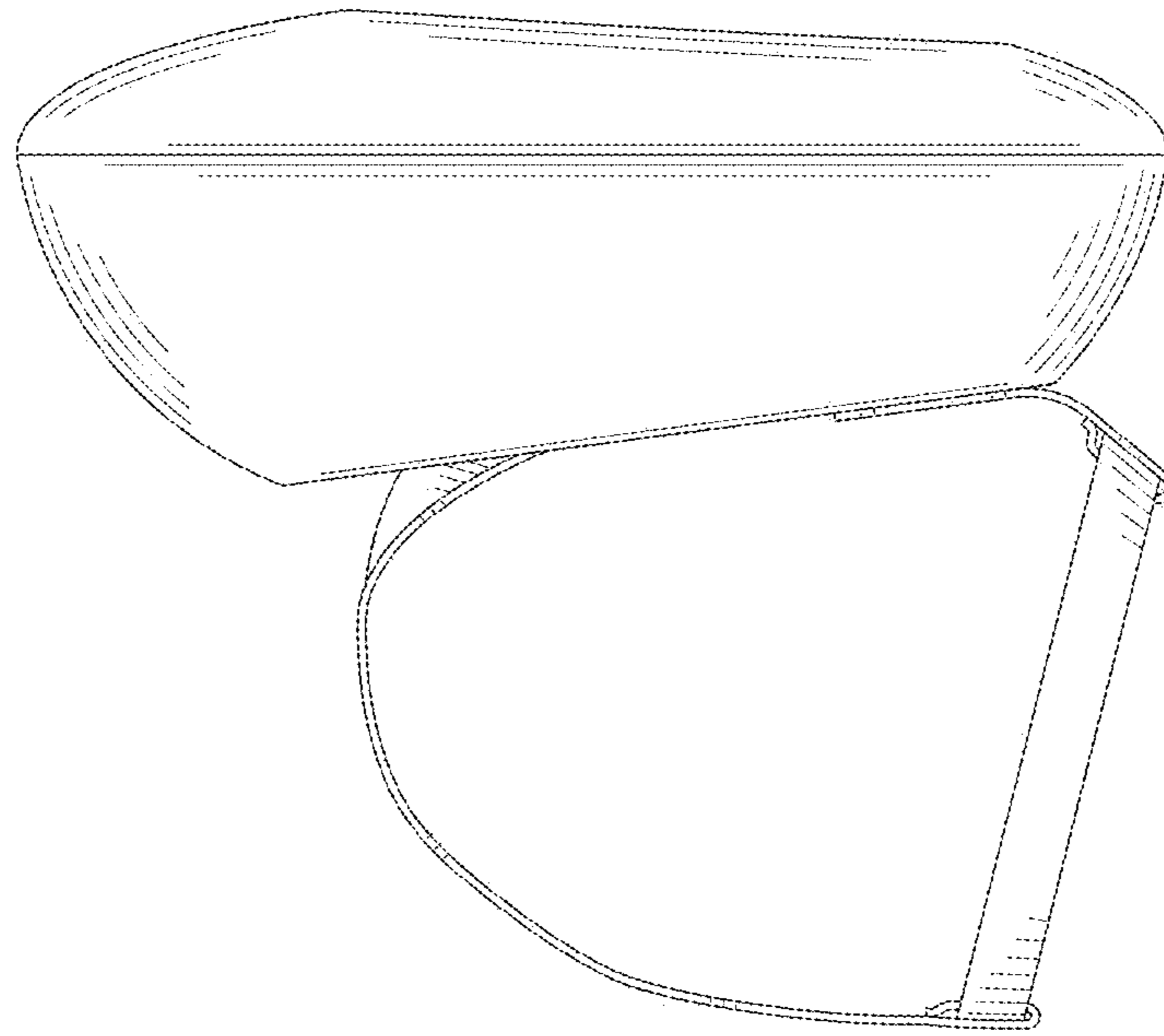


FIG. 5

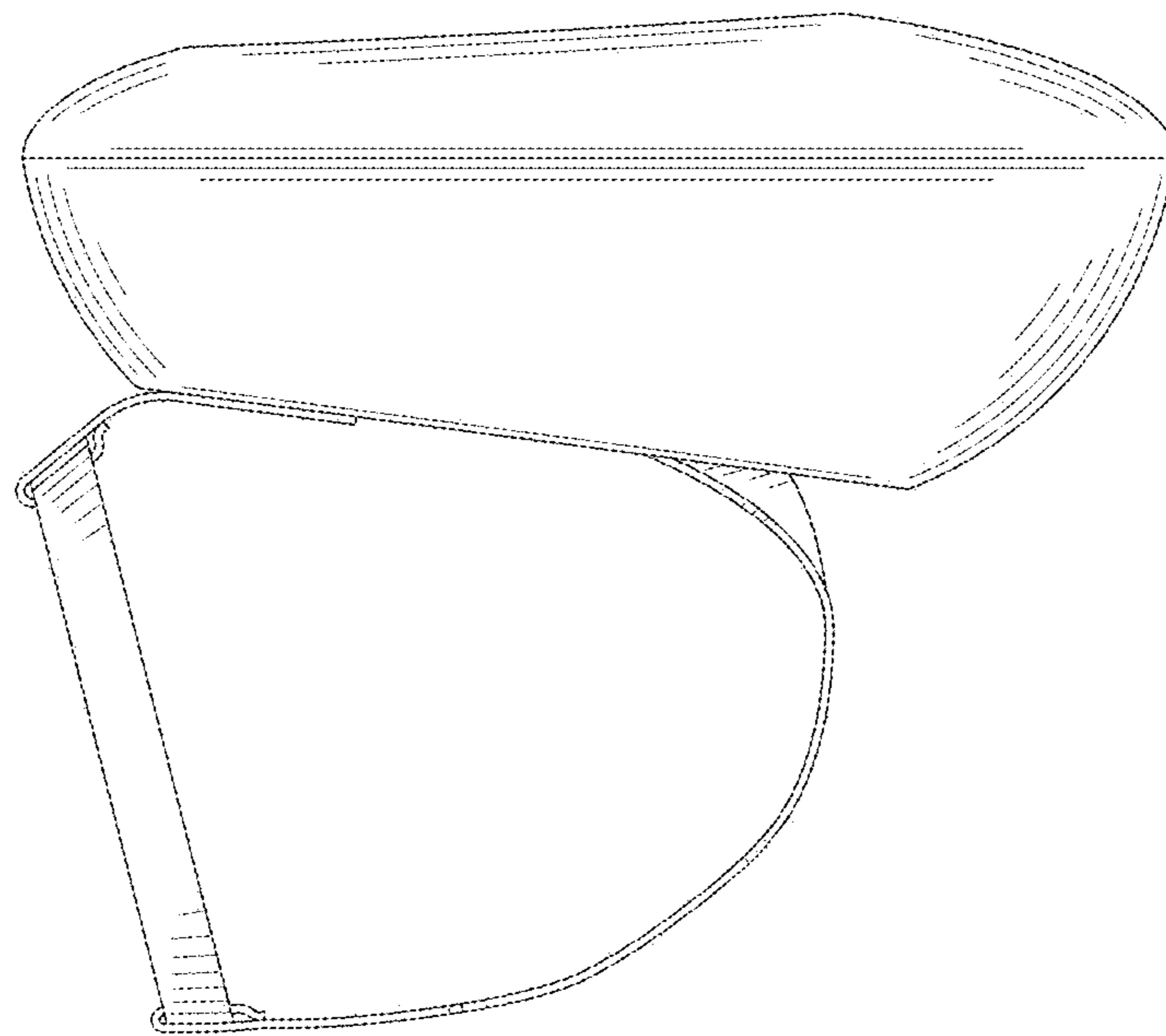


FIG. 6

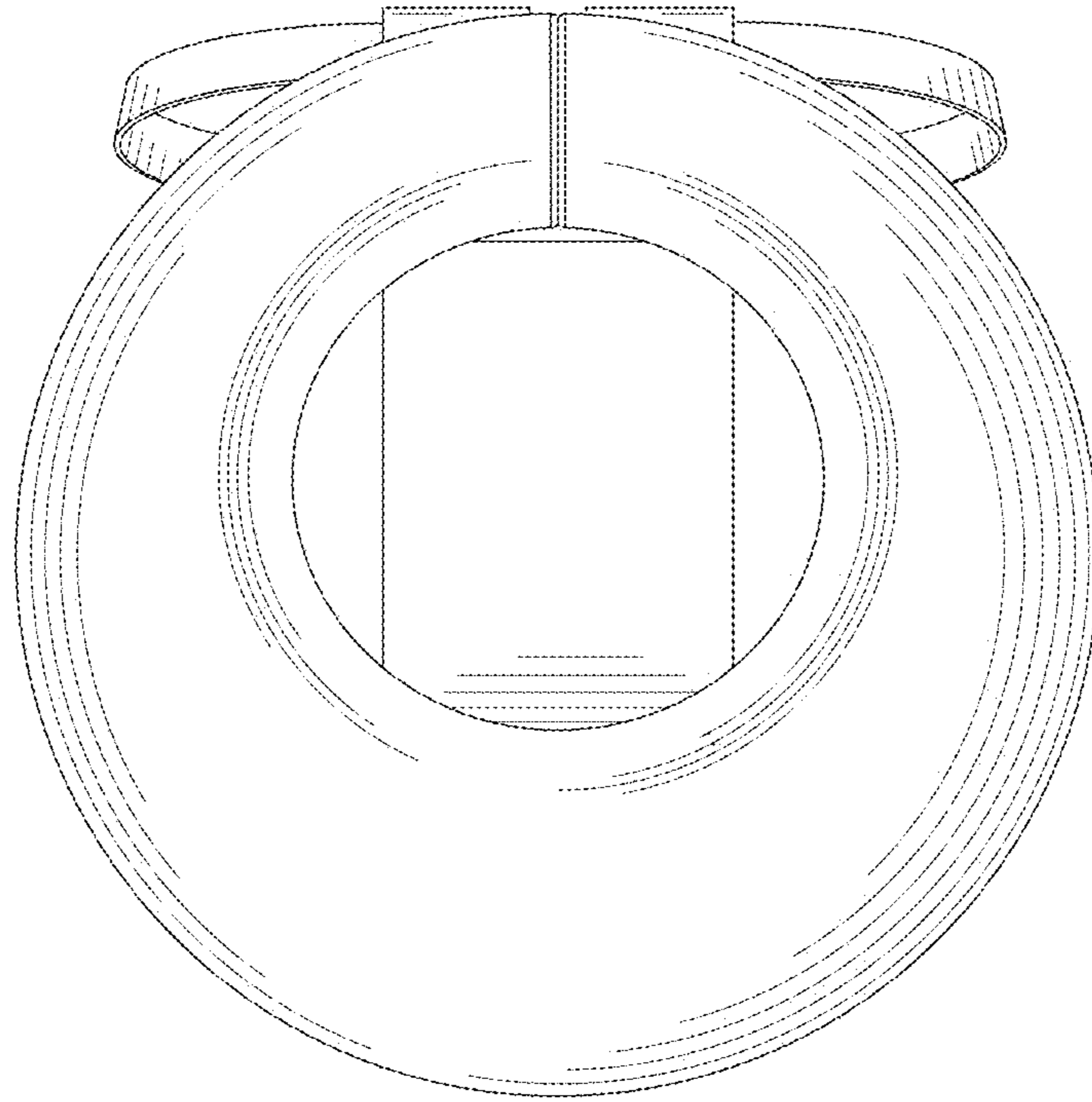


FIG. 7

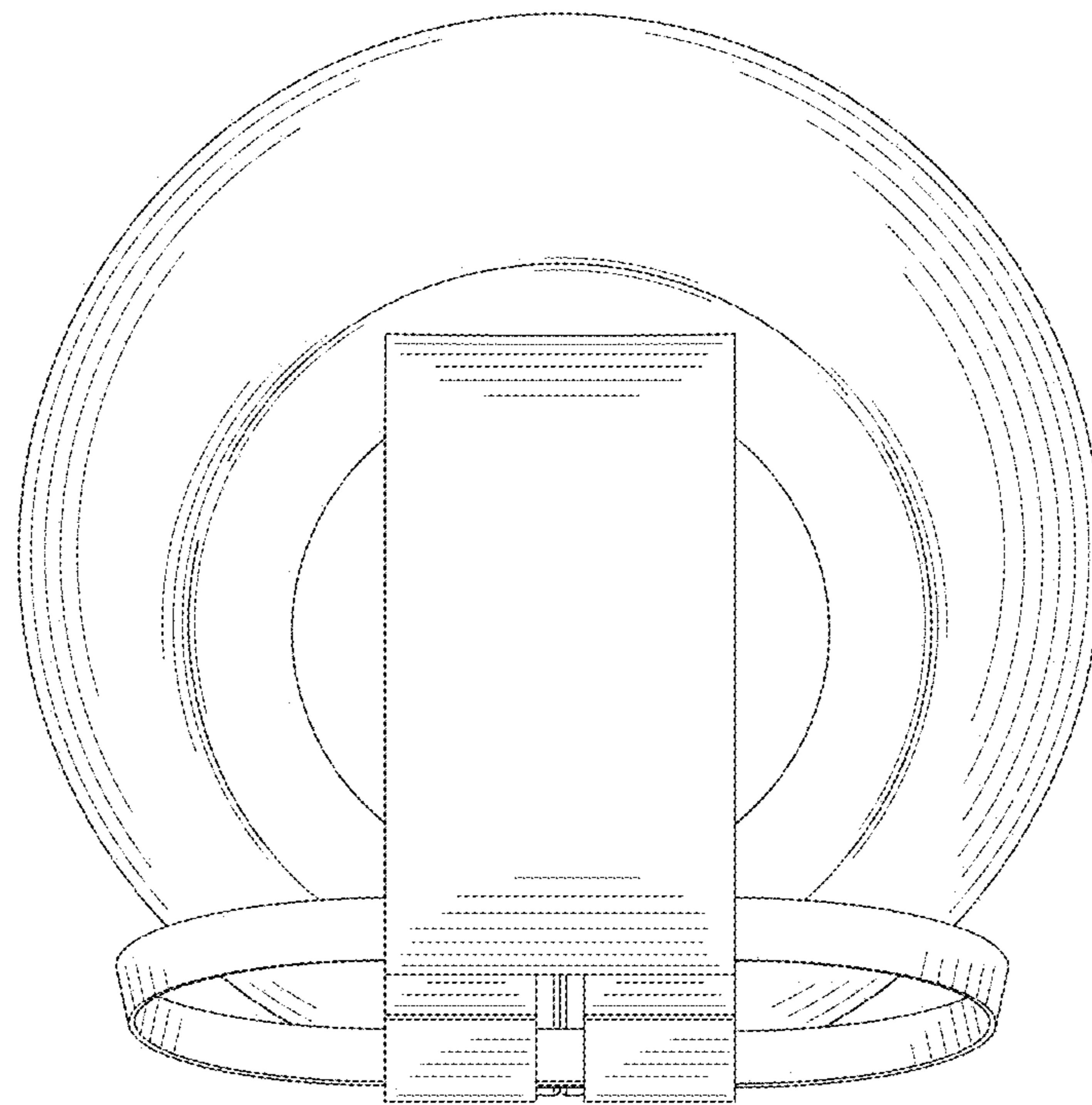


FIG. 8

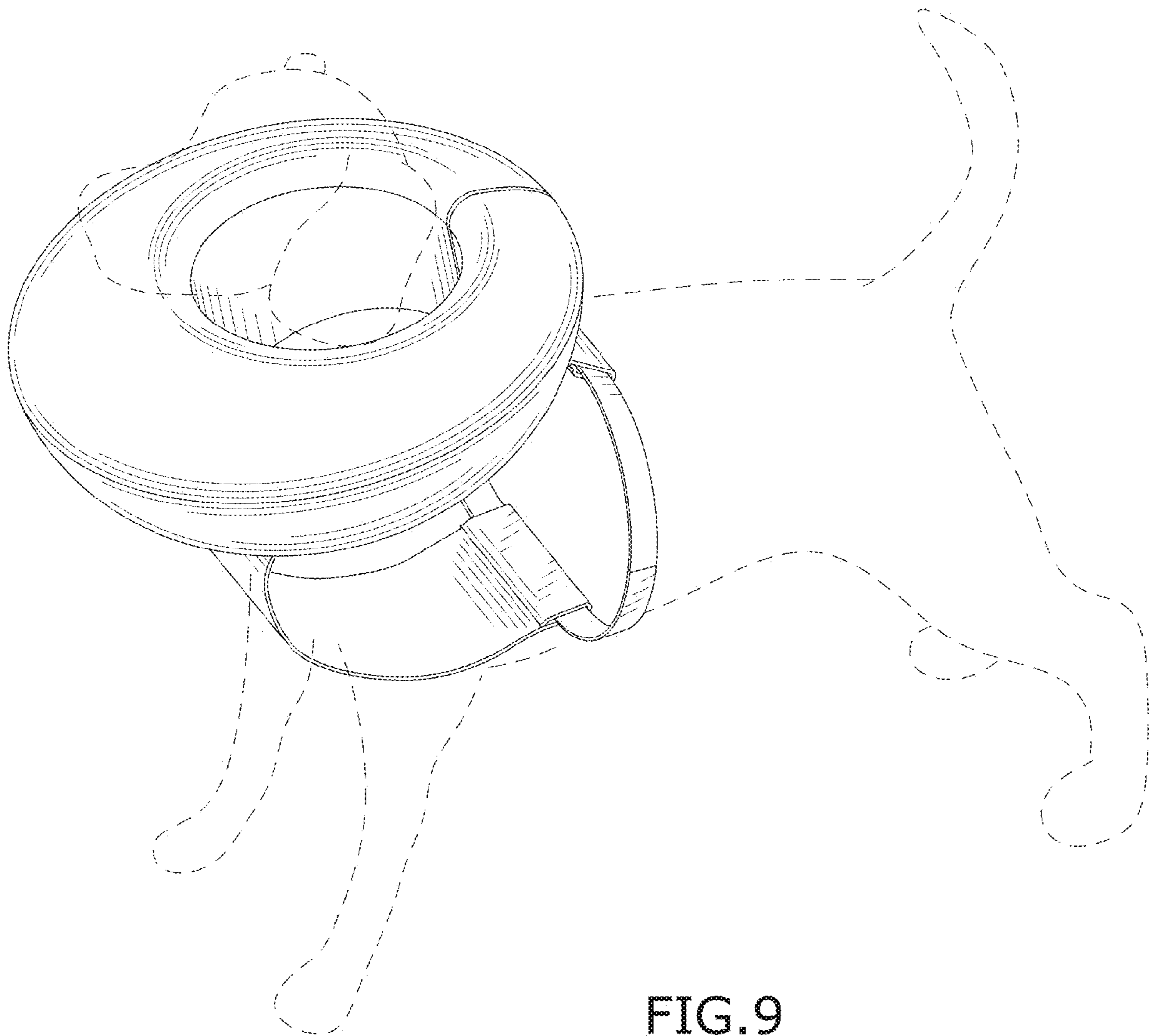


FIG. 9