



US00D955065S

(12) **United States Design Patent**
Babal

(10) **Patent No.:** **US D955,065 S**

(45) **Date of Patent:** **** Jun. 14, 2022**

(54) **PET WATERER**
(71) Applicant: **Prashant Babal**, Hopkins, MN (US)
(72) Inventor: **Prashant Babal**, Hopkins, MN (US)
(73) Assignee: **Wazir Chand Handicrafts**, Moradabad (IN)
(**) Term: **15 Years**

6,477,981 B1 * 11/2002 Harper A01K 5/0114
119/51.01
D512,801 S * 12/2005 Kratzer D30/130
D642,335 S * 7/2011 Weber D30/121
D655,053 S * 2/2012 Weber D30/121
9,974,279 B2 * 5/2018 Northrop A01K 5/0225
D875,324 S * 2/2020 Gevaert D30/121
D882,881 S * 4/2020 Gevaert D30/121
2011/0132268 A1 * 6/2011 Weber A01K 7/025
119/72
2011/0247565 A1 * 10/2011 Northrop A01K 7/02
119/61.54

(21) Appl. No.: **29/725,992**
(22) Filed: **Feb. 28, 2020**
(51) **LOC (13) Cl.** **30-03**
(52) **U.S. Cl.**
USPC **D30/132**
(58) **Field of Classification Search**
USPC D30/121, 122, 129, 130, 131, 132, 133,
D30/199; 119/51.01, 51.02, 51.03, 51.11,
119/51.12, 51.13, 51.5, 57.92, 58, 61.5,
119/61.52, 61.54, 61.55, 61.56, 61.57, 72,
119/73, 74, 75, 78
CPC A01K 5/00; A01K 5/0114; A01K 5/0121;
A01K 5/0135; A01K 7/005; A01K 7/00;
A01K 39/02; A01K 39/04; A01K 39/0213
See application file for complete search history.

* cited by examiner

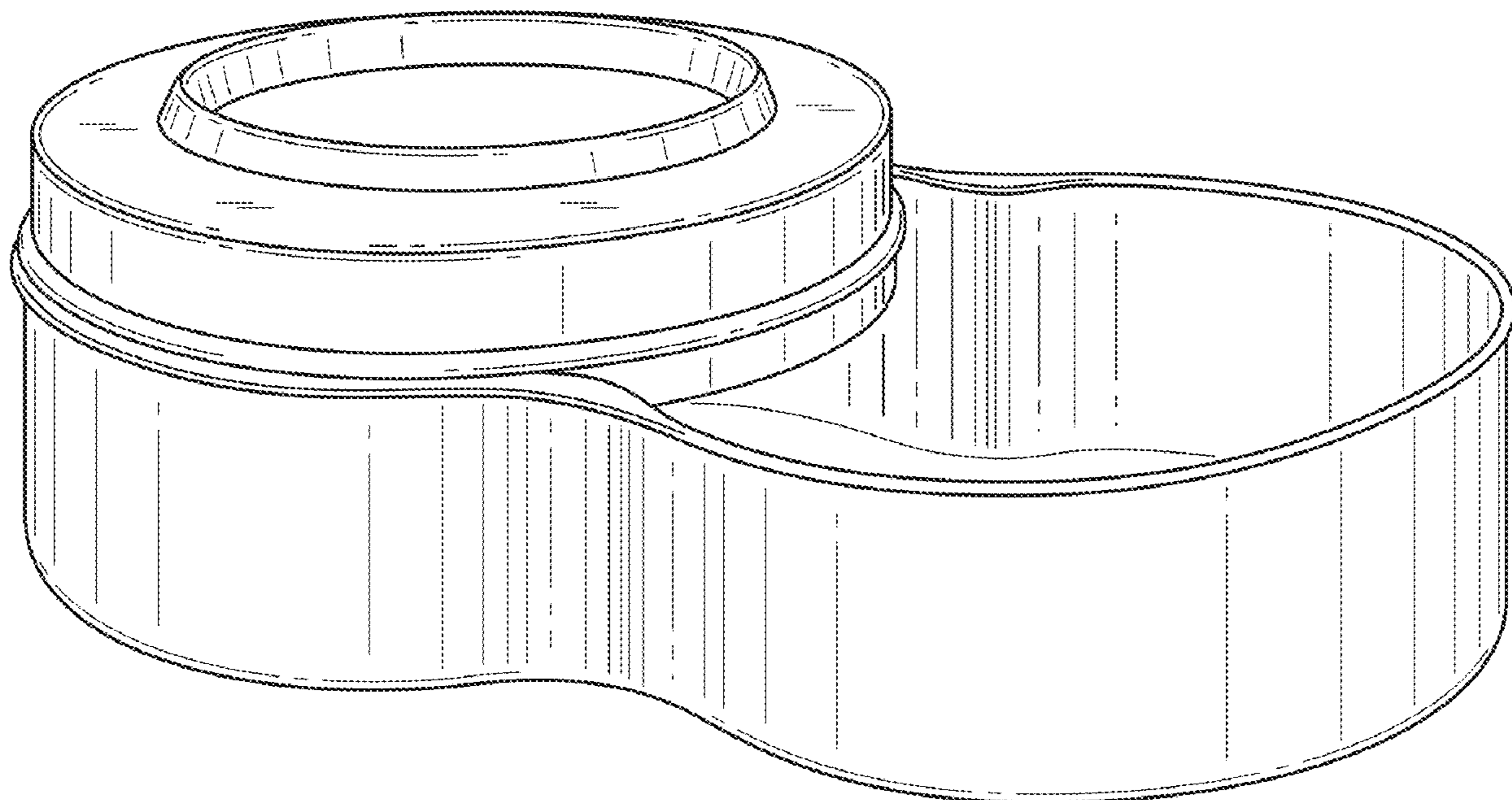
Primary Examiner — Michael C Stout
Assistant Examiner — Katrina N Gonzalez
(74) *Attorney, Agent, or Firm* — Brooks, Cameron & Huebsch, PLLC

(56) **References Cited**
U.S. PATENT DOCUMENTS
D316,382 S * 4/1991 Lorenzana D11/164
D379,684 S * 6/1997 Dennis D30/130
D383,797 S * 9/1997 Finnegan D30/121
D406,924 S * 3/1999 Kolozsvari D30/121
D406,926 S * 3/1999 Kolozsvari D30/132

(57) **CLAIM**
I claim the ornamental design for a pet waterer, as shown and described.

DESCRIPTION
FIG. 1 is a perspective view of a pet waterer according to the present disclosure;
FIG. 2 is a top view thereof;
FIG. 3 is a bottom view thereof;
FIG. 4 is a first side view thereof; and,
FIG. 5 is a second side view thereof.
The broken lines illustrate portions of the pet waterer that form no part of the claimed design.

1 Claim, 5 Drawing Sheets



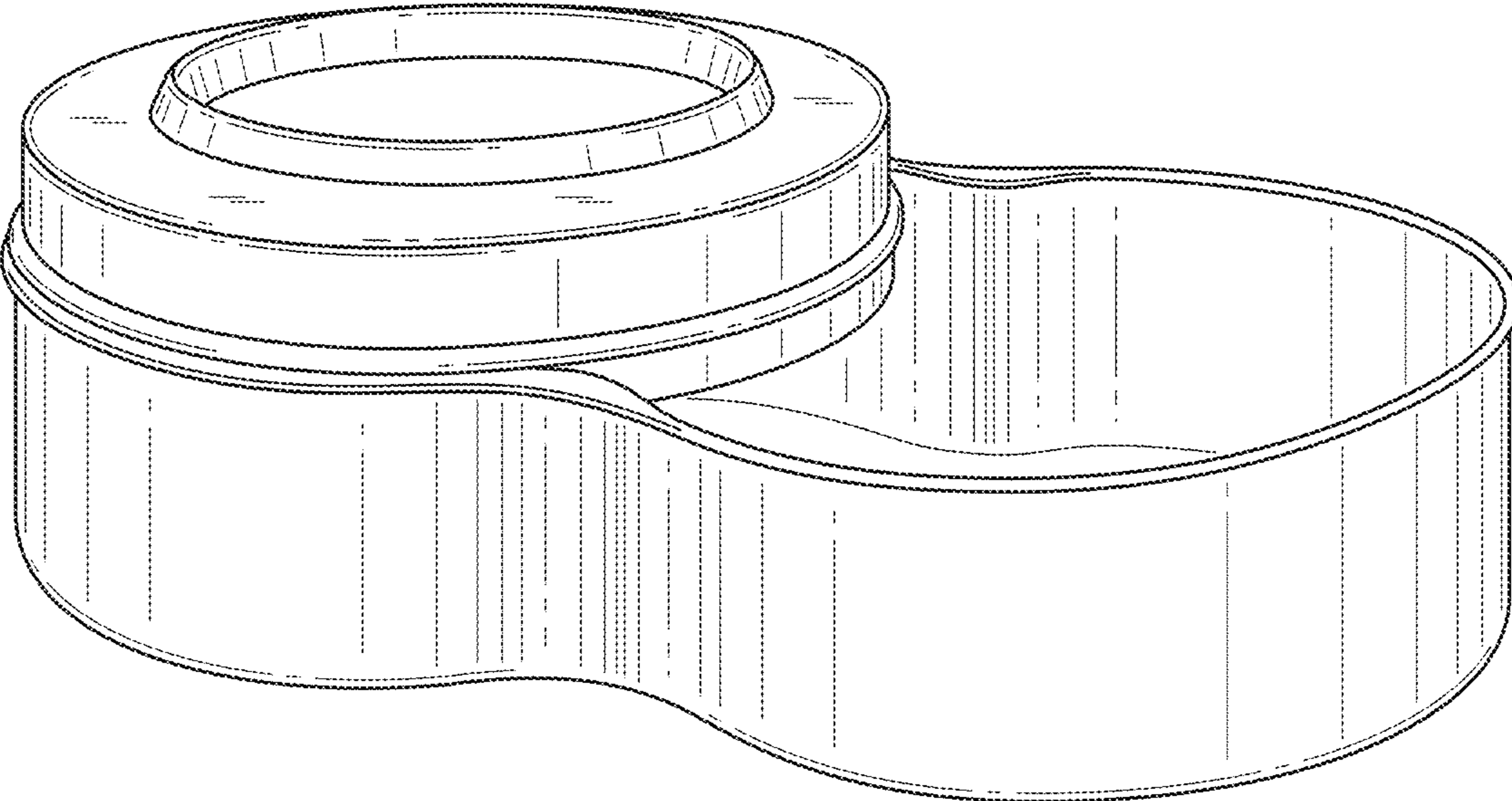


FIG. 1

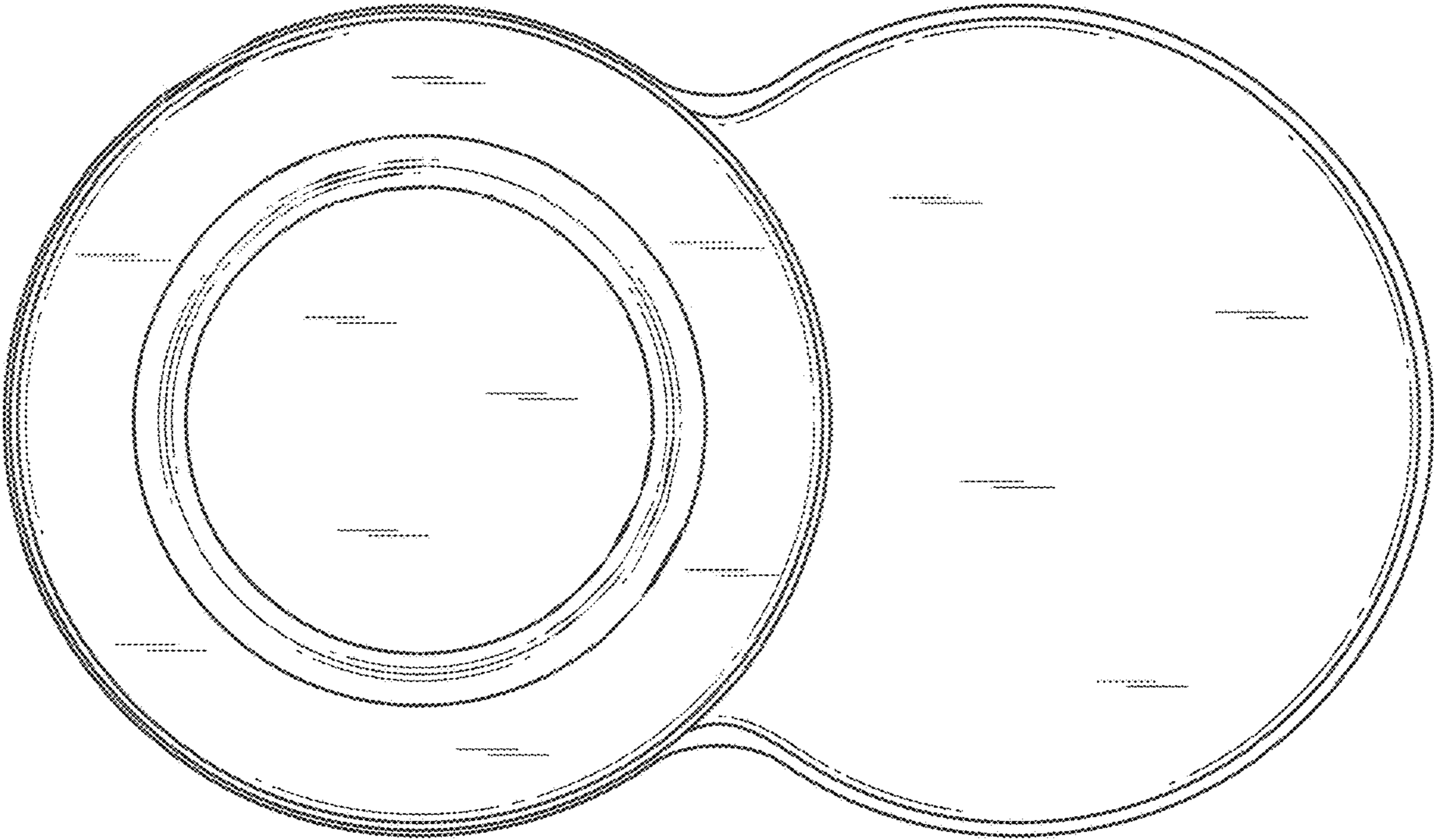


FIG. 2

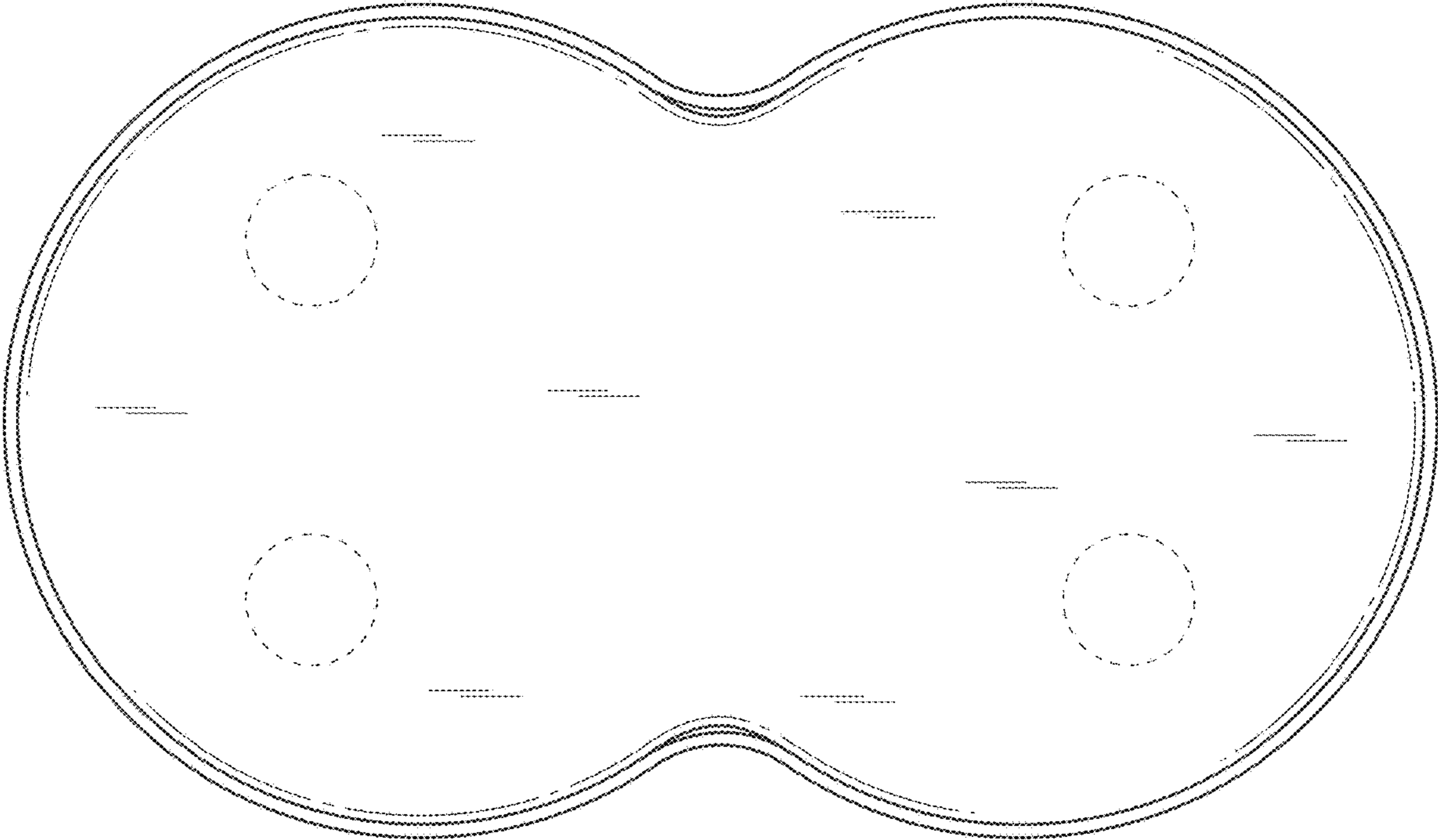


FIG. 3

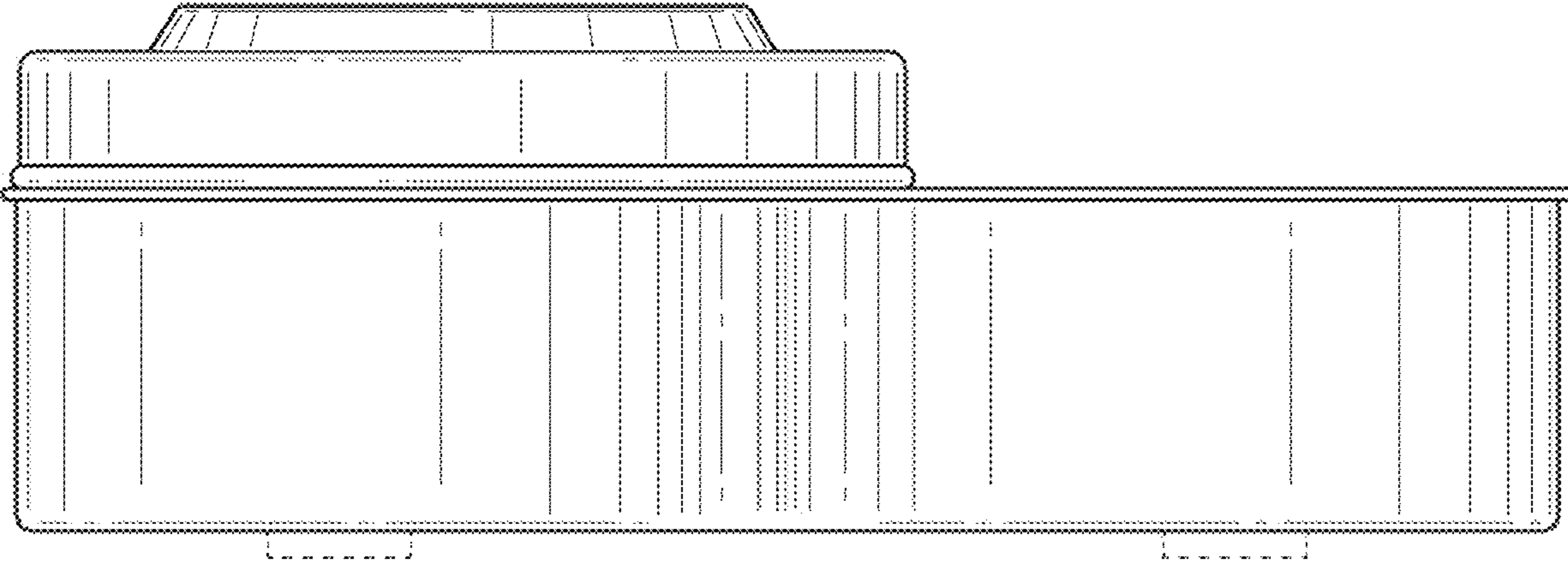


FIG. 4

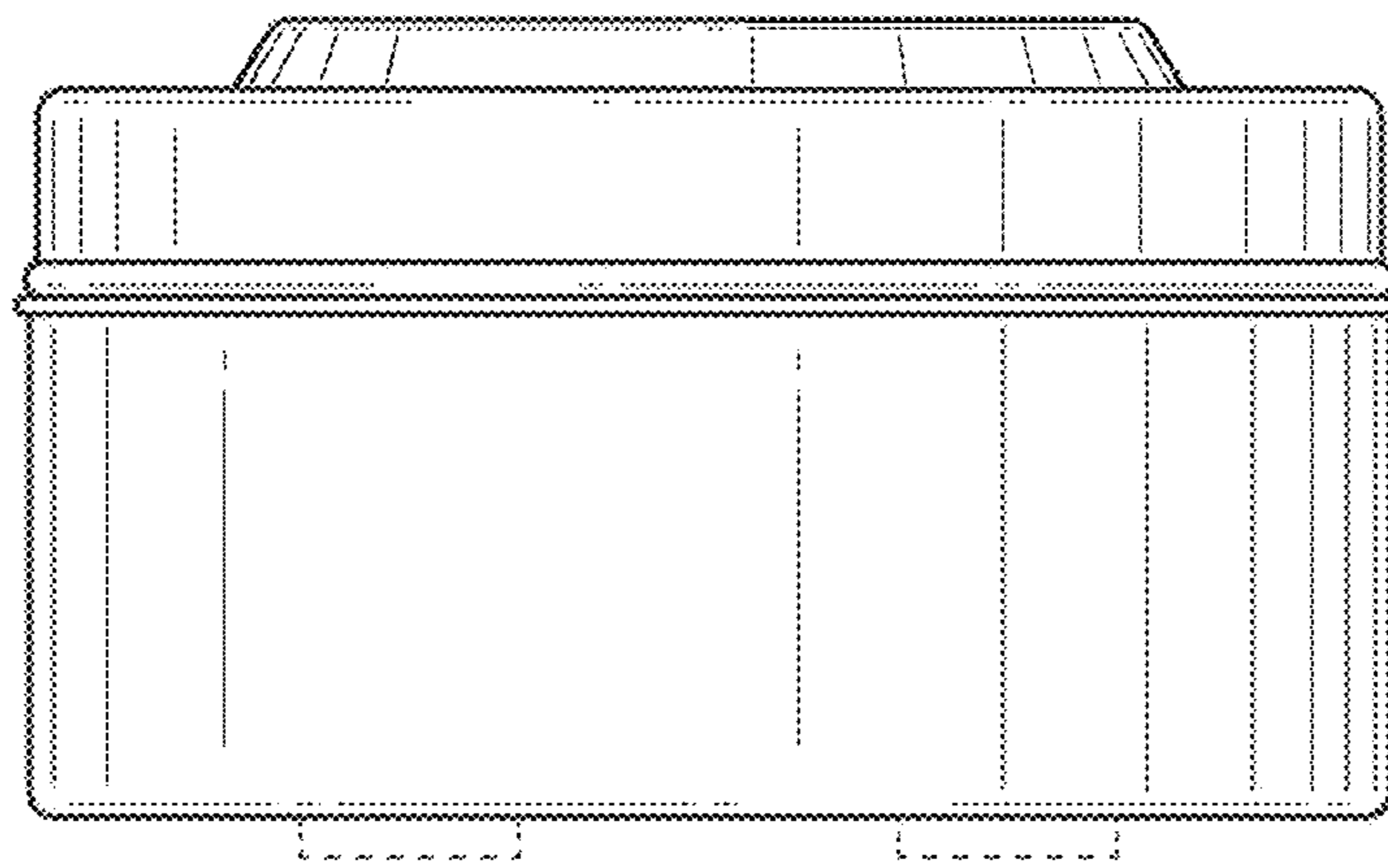


FIG. 5