



US00D955063S

(12) **United States Design Patent** (10) **Patent No.:** **US D955,063 S**
Bunger et al. (45) **Date of Patent:** **** Jun. 14, 2022**

(54) **BED**
(71) Applicant: **Tuft & Needle, LLC**, Phoenix, AZ (US)
(72) Inventors: **Gene Bunger**, Phoenix, AZ (US); **Aaron Whitney**, Phoenix, AZ (US)
(73) Assignee: **Tuft & Needle, LLC**, Phoenix, AZ (US)
(**) Term: **15 Years**
(21) Appl. No.: **29/712,080**
(22) Filed: **Nov. 5, 2019**
(51) **LOC (13) Cl.** **30-01**
(52) **U.S. Cl.**
USPC **D30/118**; D6/382
(58) **Field of Classification Search**
USPC D6/382, 384, 390, 596, 606; D30/118
CPC .. A01K 1/0353; A01K 1/0157; A47C 31/105;
A47C 7/021; A47C 17/86; A47C 31/123;
A47C 27/08; A47C 27/002; A47D
15/008; A47D 15/001; A47D 7/00
See application file for complete search history.

(56) **References Cited**
U.S. PATENT DOCUMENTS
D612,547 S * 3/2010 Zine D30/118
D617,118 S * 6/2010 Fojtasek D6/382
D633,256 S * 2/2011 Lewis D30/118
D646,500 S * 10/2011 Szekely D6/382
D646,908 S * 10/2011 Szekely D6/382
D661,844 S * 6/2012 Song D30/118
D677,926 S * 3/2013 Costano Fernandez D6/390
D679,870 S * 4/2013 Williams D30/118
D717,561 S * 11/2014 Wurst D6/384
D759,904 S * 6/2016 Cantwell D30/118
D812,393 S * 3/2018 Karschnik D6/382
D822,911 S * 7/2018 Menayan D30/118
D836,849 S * 12/2018 Romaya D30/118
D871,110 S * 12/2019 Atkinson D6/606

D898,469 S * 10/2020 Williams D6/606
D899,009 S * 10/2020 Xu D30/118
D901,093 S * 11/2020 Bullock D30/118
D909,794 S * 2/2021 Marino D6/606
D910,338 S * 2/2021 Zhang D6/596
D926,390 S * 7/2021 Roost D30/118
(Continued)

OTHER PUBLICATIONS

“Facebook—Tuft & Needle.” Found online Nov. 6, 2021 at www.facebook.com. Post dated Nov. 22, 2019. Retrieved from URL: https://www.facebook.com/tuftandneedle/posts/we-launched-a-dog-bed-this-week-and-needless-to-say-weve-been-excited-about-it-i/2507737352672245/ (Year: 2019).*
(Continued)

Primary Examiner — Mary Ann Calabrese
Assistant Examiner — Katelin G Kloberg
(74) *Attorney, Agent, or Firm* — ArentFox Schiff LLP

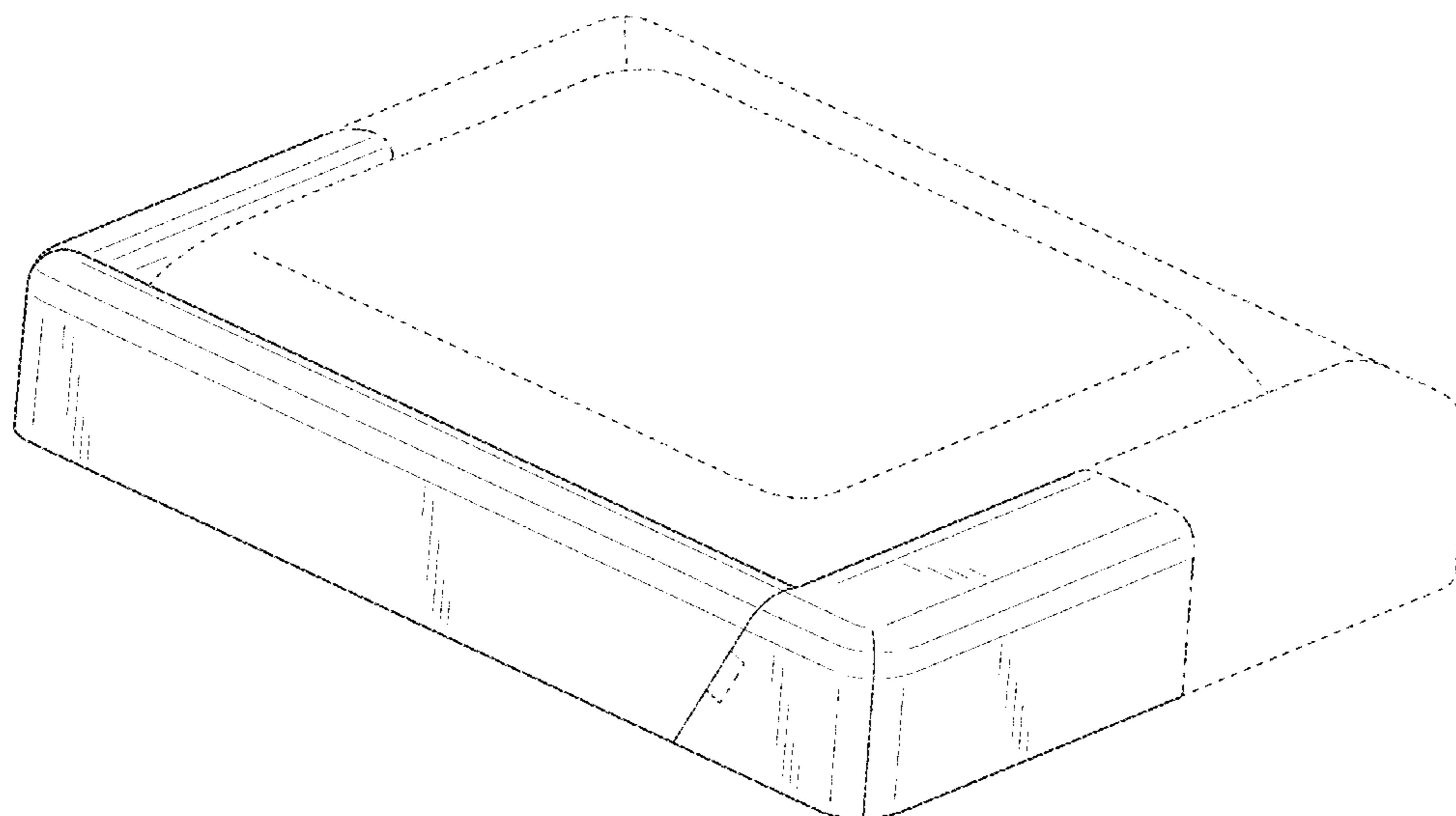
(57) **CLAIM**

The ornamental design for a bed, as shown and described.

DESCRIPTION

FIG. 1 is a front right perspective view of a a bed showing our new design;
FIG. 2 is a rear right perspective view of the design shown in FIG. 1;
FIG. 3 is a front view of the design shown in FIG. 1;
FIG. 4 is a rear view of the design shown in FIG. 1;
FIG. 5 is a right side view of the design shown in FIG. 1;
FIG. 6 is a left side view of the design shown in FIG. 1;
FIG. 7 is a top view of the design shown in FIG. 1; and,
FIG. 8 is a bottom view of the design shown in FIG. 1.
The dash-dot-dash lines represent a boundary that forms no part of the claimed design. The evenly-spaced broken lines depict portions of the article that form no part of the claimed design.

1 Claim, 8 Drawing Sheets



(56)

References Cited

U.S. PATENT DOCUMENTS

D927,891 S * 8/2021 Petzold D6/606
2017/0280679 A1 * 10/2017 Swedyk A01K 1/0157
2021/0144955 A1 * 5/2021 Bunger A01K 1/035

OTHER PUBLICATIONS

“Tuft & Needle Dog Bed.” Found online Nov. 6, 2021 at www.amazon.com. Product first available Apr. 17, 2020. Retrieved from URL: <https://www.amazon.com/Tuft-Needle-Dog-Bed-Detachable/dp/B0876G7R9L?th=1> (Year: 2020).*

“Cordova Limon Memory Foam Cuddler Bed.” Found online Nov. 6, 2021 at www.jaxandbones.com. Product reviewed Sep. 7, 2021. Retrieved from URL: <https://jaxandbones.com/products/cordova-limon-memory-foam-cuddler-bed> (Year: 2021).*

“Laifug Orthopedic Memory Foam Large Sofa Pet Bed.” Found online Nov. 6, 2021 at www.amazon.com. Product first available Aug. 31, 2017. Retrieved from URL: <https://www.amazon.com/Laifug-Orthopedic-Durable-Removable-Washable/dp/B0758WD5P4> (Year: 2017).*

* cited by examiner

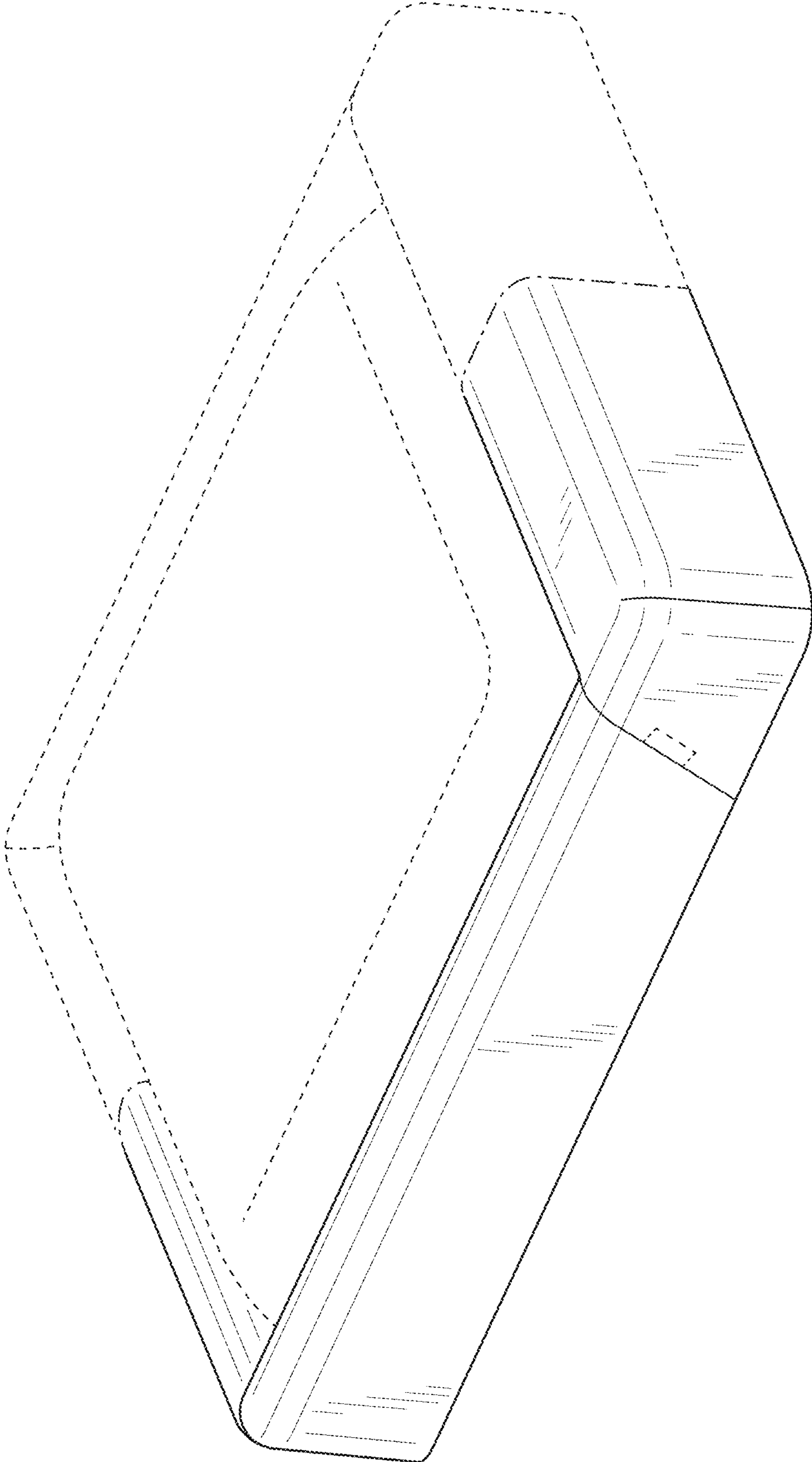


FIG. 1

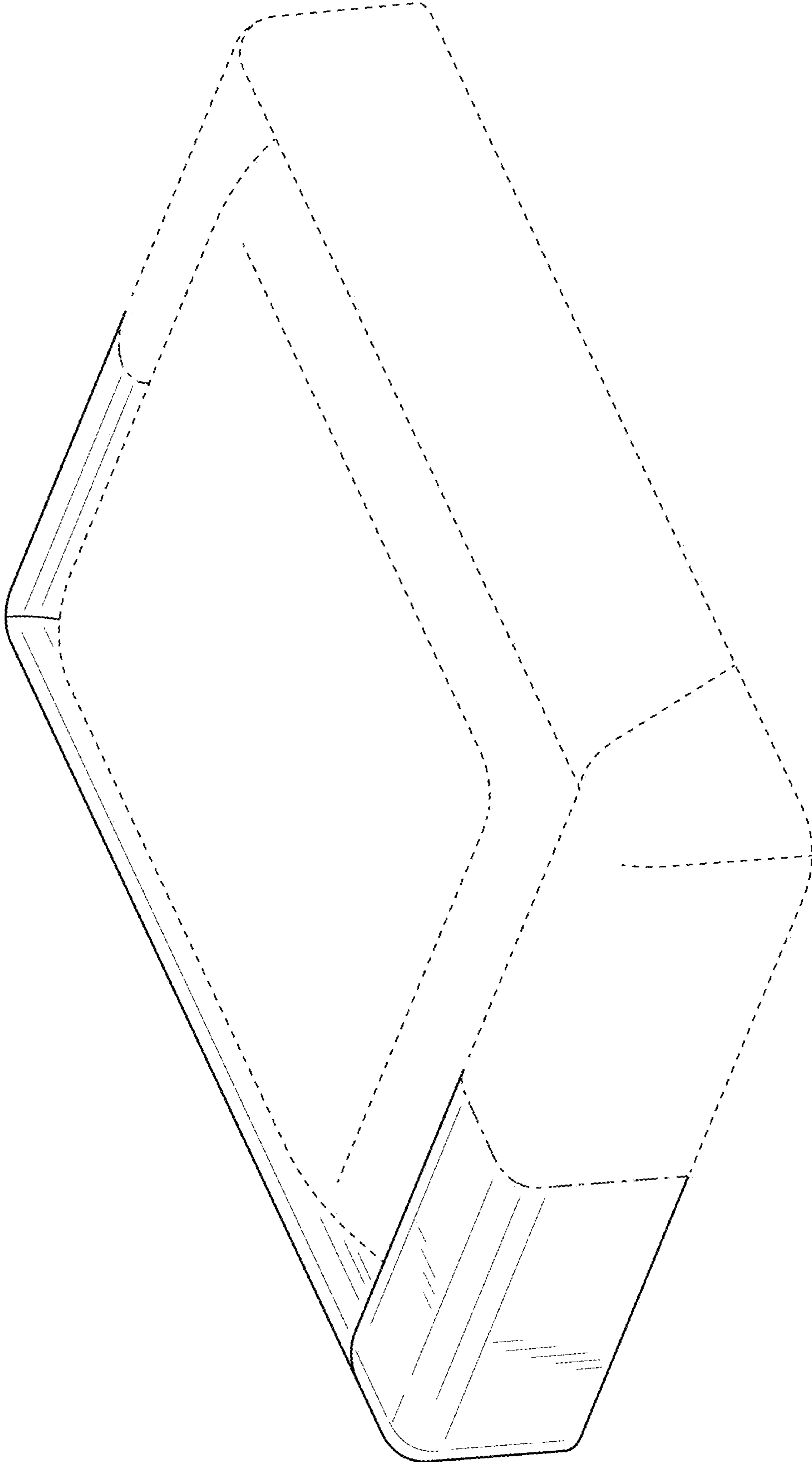


FIG. 2

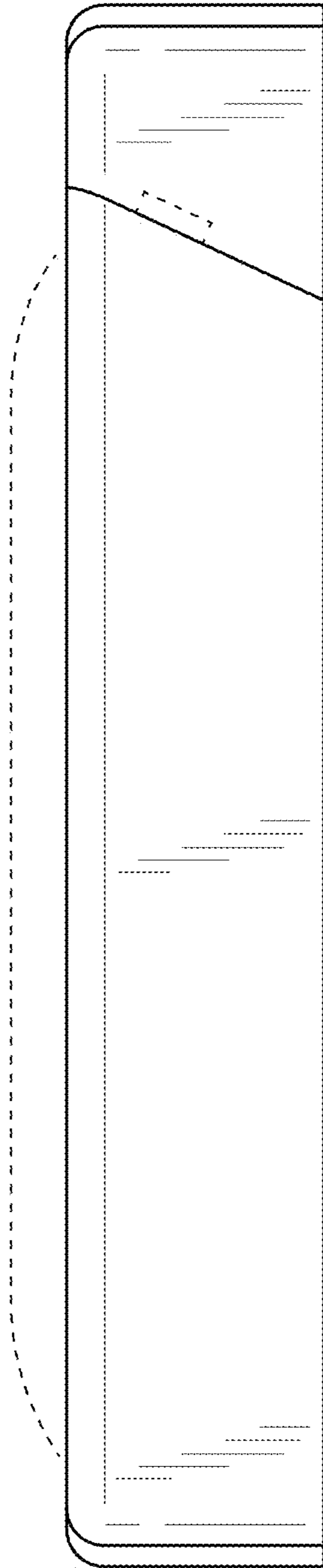


FIG. 3

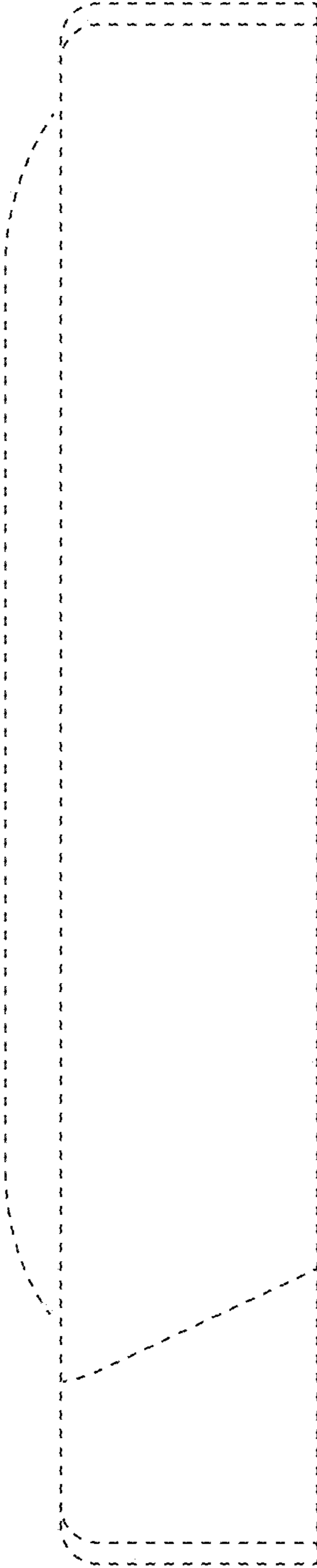


FIG. 4

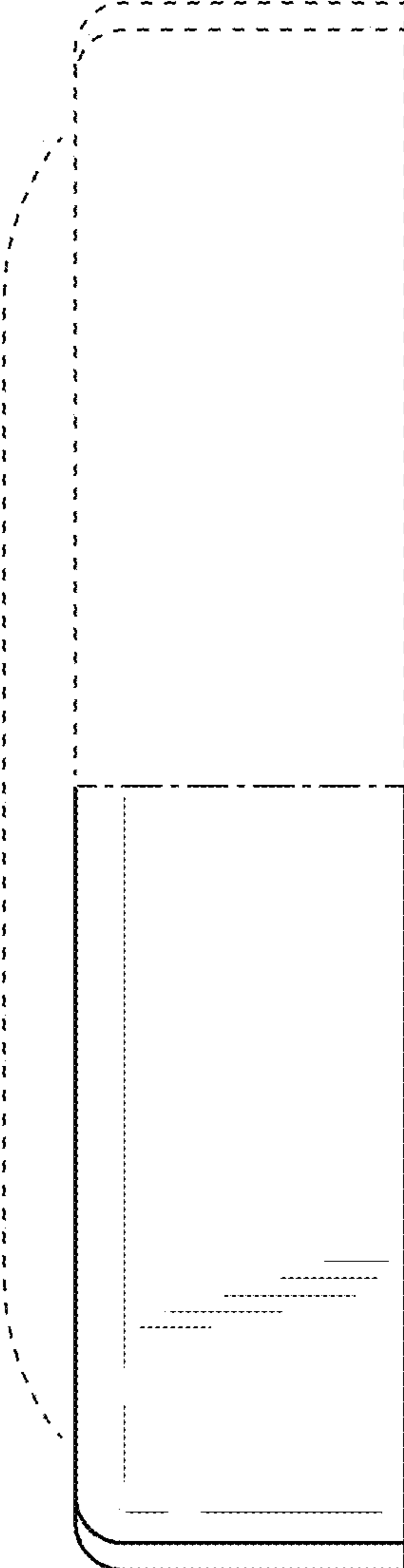


FIG. 5

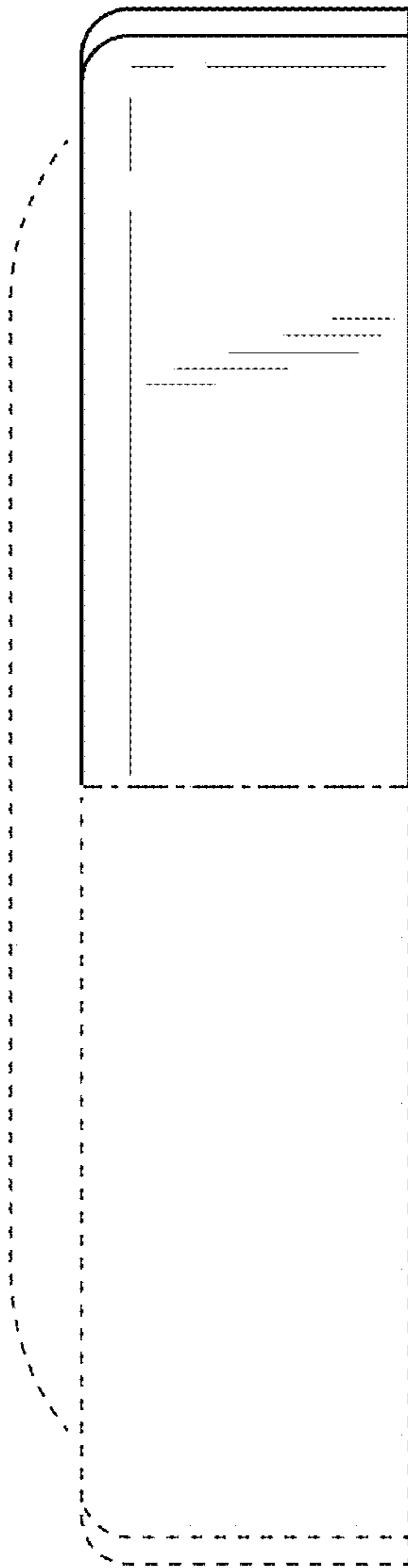


FIG. 6

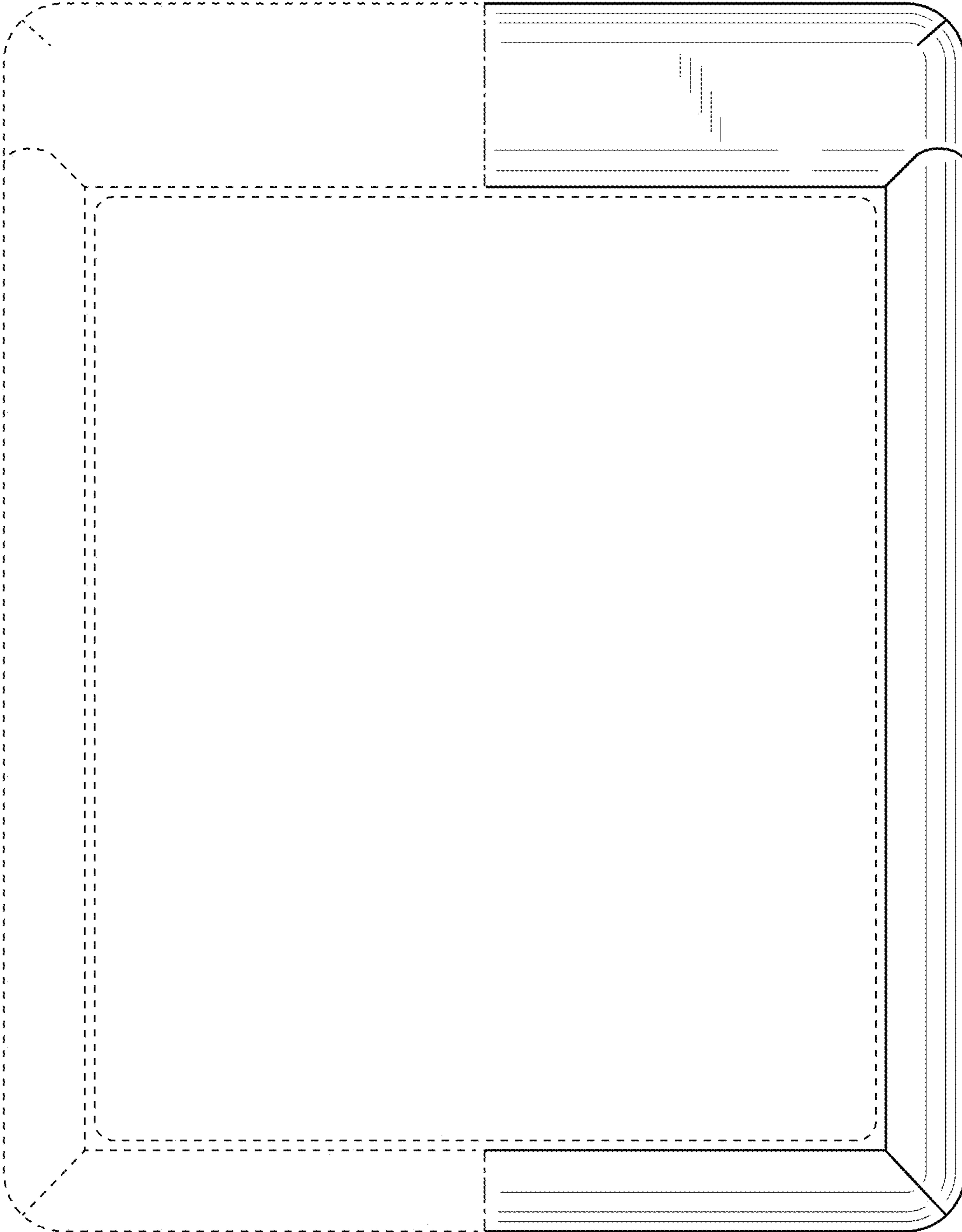


FIG. 7

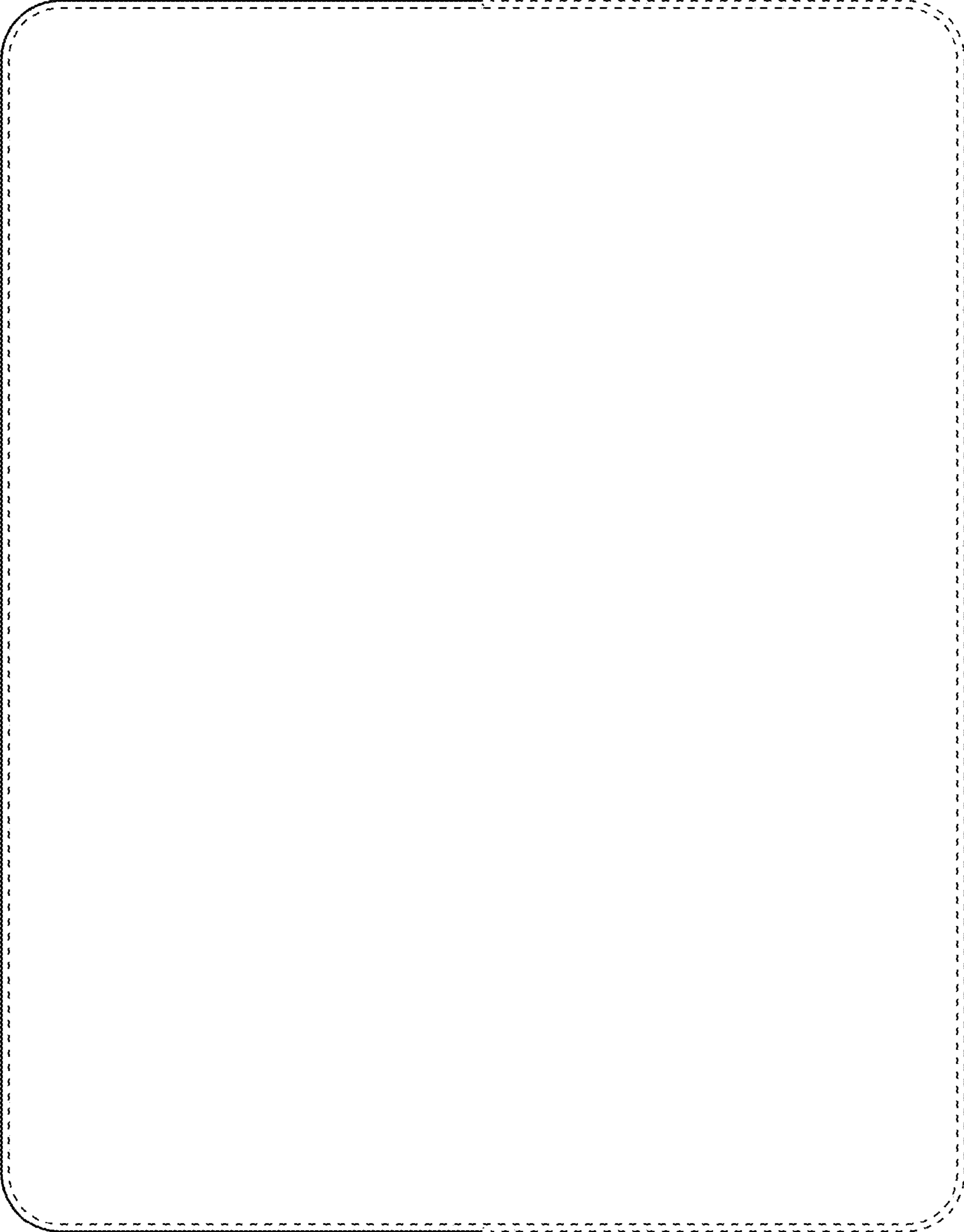


FIG. 8