



US00D955060S

(12) **United States Design Patent**  
**Wu**

(10) **Patent No.: US D955,060 S**  
(45) **Date of Patent: \*\* Jun. 14, 2022**

(54) **PET STROLLER**

FOREIGN PATENT DOCUMENTS

(71) Applicant: **NOODOKY INC**, Seattle, WA (US)

KR 300955312.0000 \* 5/2018

(72) Inventor: **Tianzhen Wu**, Shenzhen (CN)

OTHER PUBLICATIONS

(\*\*) Term: **15 Years**

BestPet 4-Wheel Pet Stroller, available in Amazon.ca, date first available Jan. 6, 2010 [online], [site visited Feb. 22, 2022], Available from the internet URL: [https://www.amazon.ca/dp/B00331OZPE/ref=cm\\_sw\\_em\\_r\\_mt\\_dp\\_3V1D9K7R1FHEMNVS28DS?\\_encoding=UTF8&psc=1](https://www.amazon.ca/dp/B00331OZPE/ref=cm_sw_em_r_mt_dp_3V1D9K7R1FHEMNVS28DS?_encoding=UTF8&psc=1) (Year: 2010).\*

(21) Appl. No.: **29/755,320**

(22) Filed: **Oct. 19, 2020**

(51) **LOC (13) Cl.** ..... **30-02**

(52) **U.S. Cl.**

USPC ..... **D30/109**; D12/129

(58) **Field of Classification Search**

USPC ..... D12/129; D30/108, 109, 110, 111, 112, D30/113, 114, 115, 116, 117, 118, 119, D30/120, 160, 161

CPC .. A01K 1/0107; A01K 1/0236; A01K 1/0272; A01K 1/029; A01K 1/033; A01K 1/034; A01K 1/035; A01K 1/0035; A01K 31/06; A01K 31/07; A01K 31/08

See application file for complete search history.

(Continued)

*Primary Examiner* — Jennifer L Rempfer

*Assistant Examiner* — Elizabeth Anne Glassberg

(74) *Attorney, Agent, or Firm* — Novoclaims Patent Services LLC; Mei Lin Wong

(57) **CLAIM**

The ornamental design for a pet stroller, as shown and described.

(56) **References Cited**

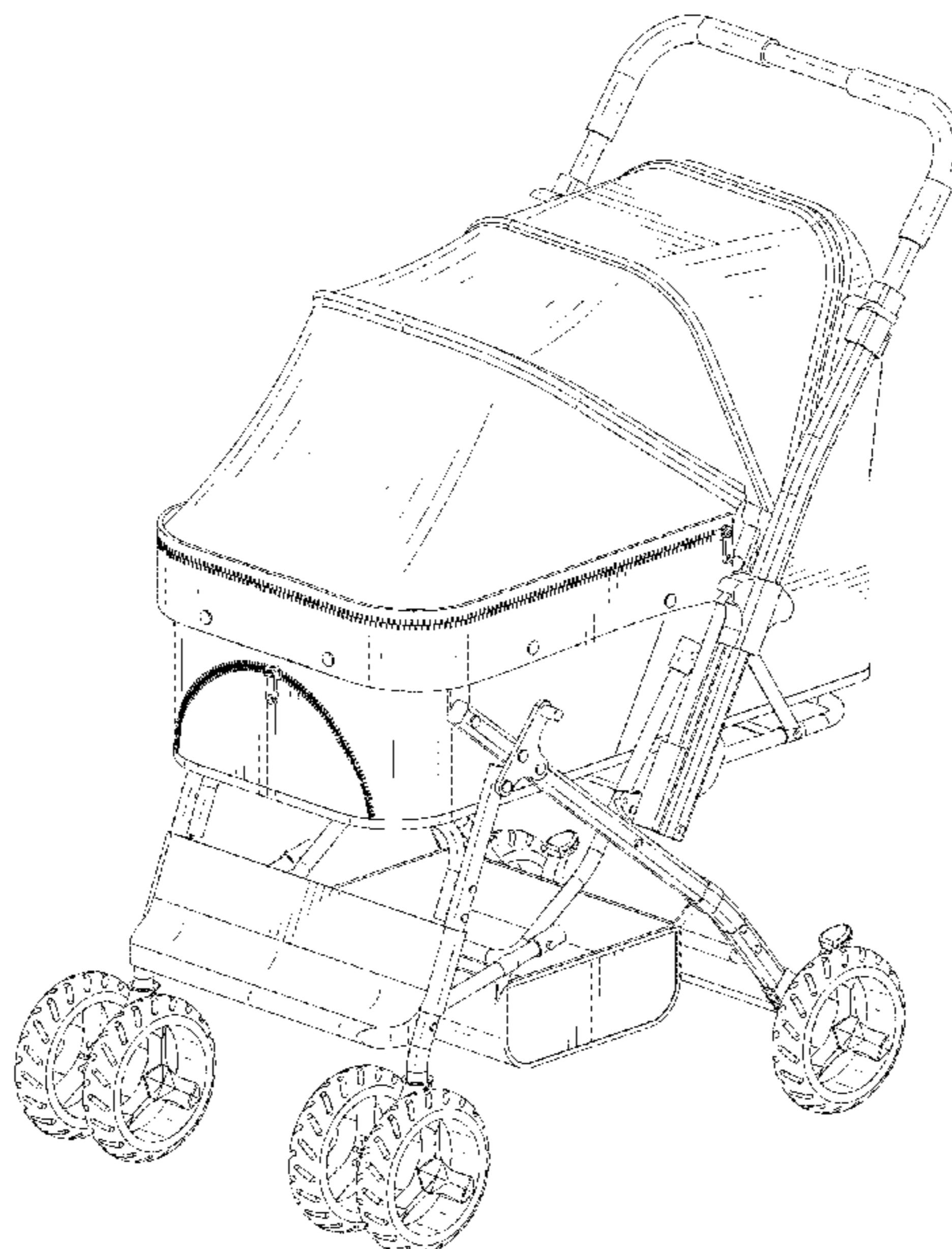
**DESCRIPTION**

U.S. PATENT DOCUMENTS

D298,925 S *	12/1988	Nakao	.....	D12/129
D300,310 S *	3/1989	Kassai	.....	D12/129
D310,645 S *	9/1990	Julien	.....	D12/129
D855,899 S *	8/2019	Jakubowski	.....	D30/109
D869,343 S *	12/2019	Taylor	.....	D12/129
D882,184 S *	4/2020	Jakubowski	.....	D30/109
D897,909 S *	10/2020	Xiang	.....	D12/129
D899,006 S *	10/2020	Chen	.....	D30/109
2014/0230747 A1 *	8/2014	Jakubowski	.....	B62B 9/26 119/496
2018/0022371 A1 *	1/2018	Jakubowski	.....	B62B 5/0013 280/641
2019/0002007 A1 *	1/2019	Xiang	.....	A01K 1/0254
2020/0296919 A1 *	9/2020	Jakubowski	.....	A01K 1/0245
2021/0022314 A1 *	1/2021	Xiang	.....	B62B 9/12

FIG. 1 is a perspective view of a pet stroller showing my new design;  
FIG. 2 is a rear perspective view thereof;  
FIG. 3 is a front view thereof;  
FIG. 4 is a rear view thereof;  
FIG. 5 is a left side view thereof;  
FIG. 6 a right side view thereof;  
FIG. 7 is a top view thereof;  
FIG. 8 is a side view thereof shown in an in-use condition;  
FIG. 9 is a perspective view thereof shown in an in-use condition; and,  
FIG. 10 is another perspective view thereof shown in an in-use condition.

**1 Claim, 10 Drawing Sheets**



(56)

**References Cited**

OTHER PUBLICATIONS

PawHut 4 Wheel Dog Pet Stroller Dog Cat Carrier, available in Amazon.ca, date first available Feb. 5, 2018 [online], [site visited Feb. 11, 2022], Available from the internet URL: [https://www.amazon.ca/dp/B079L7DK6T/ref=cm\\_sw\\_em\\_r\\_mt\\_dp\\_Z0PKH0N9S3DWPY5KAX67?\\_encoding=UTF8&psc=1](https://www.amazon.ca/dp/B079L7DK6T/ref=cm_sw_em_r_mt_dp_Z0PKH0N9S3DWPY5KAX67?_encoding=UTF8&psc=1) (Year: 2018).\*

Pet Stroller 4-Wheel Dog Cat Cart Portable Foldable Pet Travel Trolley, available in Amazon.ca, date first available Dec. 27, 2021 [online], [site visited Feb. 11, 2022], Available from the internet URL: [https://www.amazon.ca/dp/B09P8JR6RR/ref=cm\\_sw\\_em\\_r\\_mt\\_dp\\_N75TANY0YFVJDMHJG35Q](https://www.amazon.ca/dp/B09P8JR6RR/ref=cm_sw_em_r_mt_dp_N75TANY0YFVJDMHJG35Q) (Year: 2021).\*

\* cited by examiner

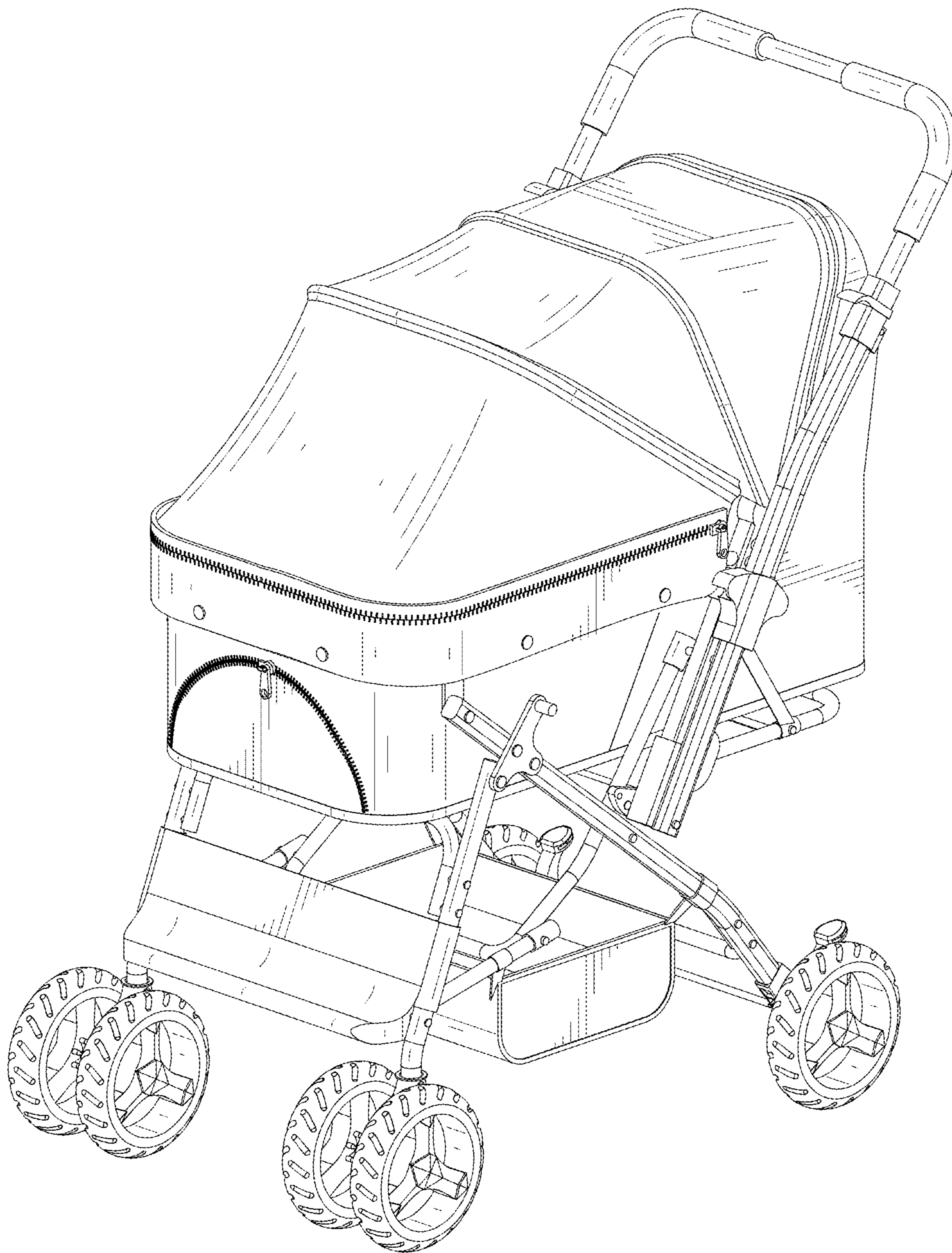


FIG. 1

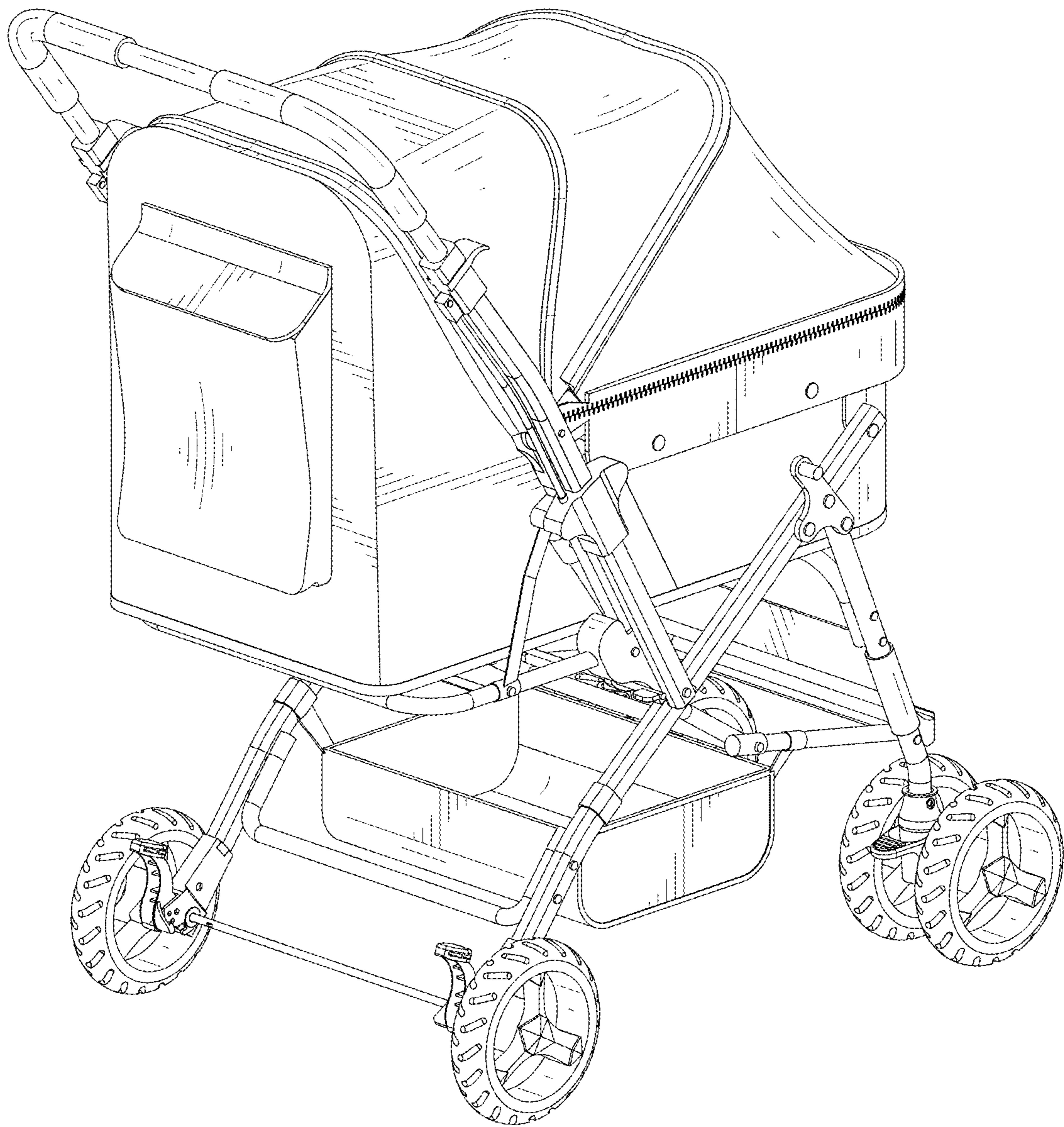


FIG.2

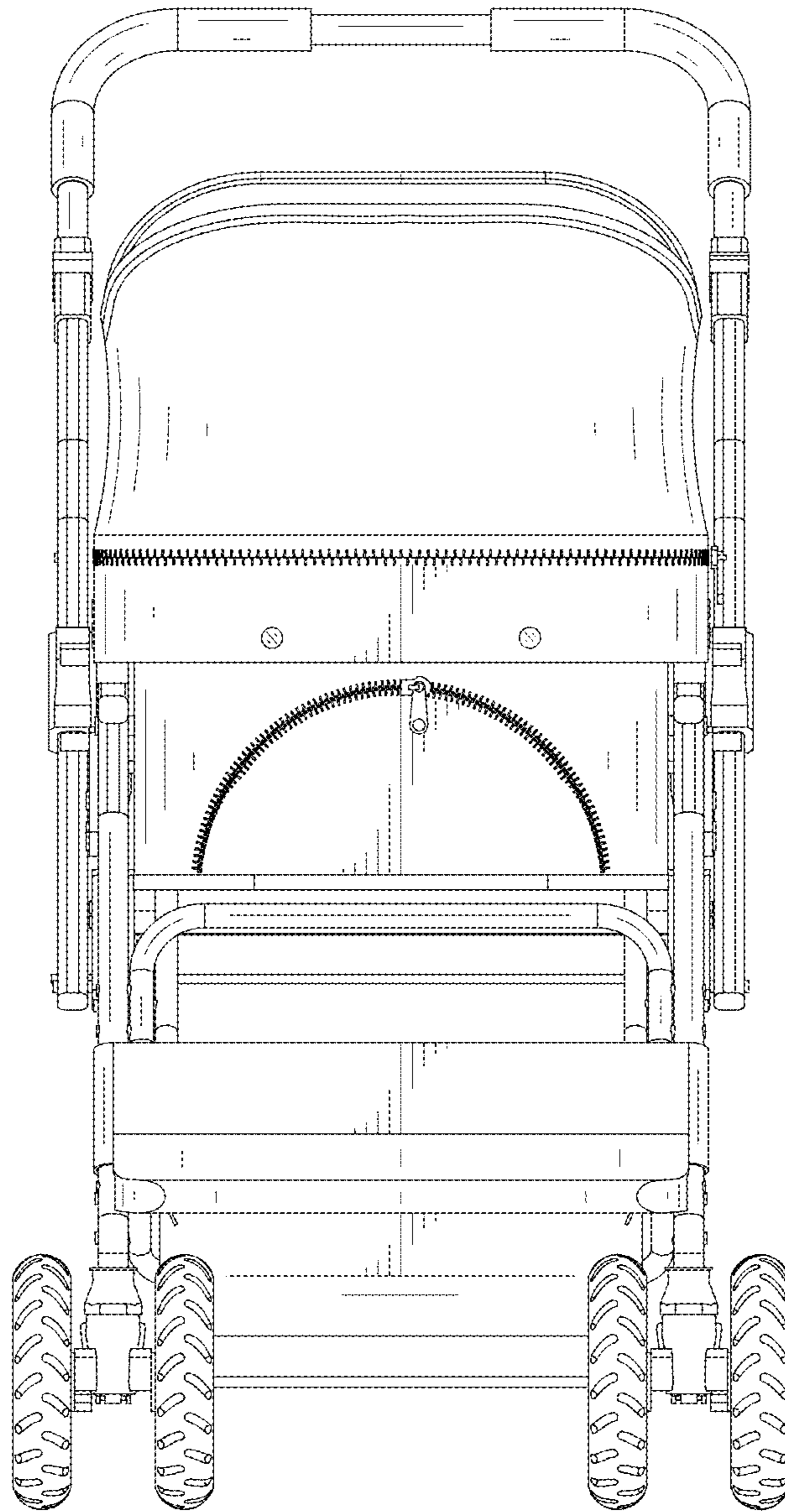


FIG.3

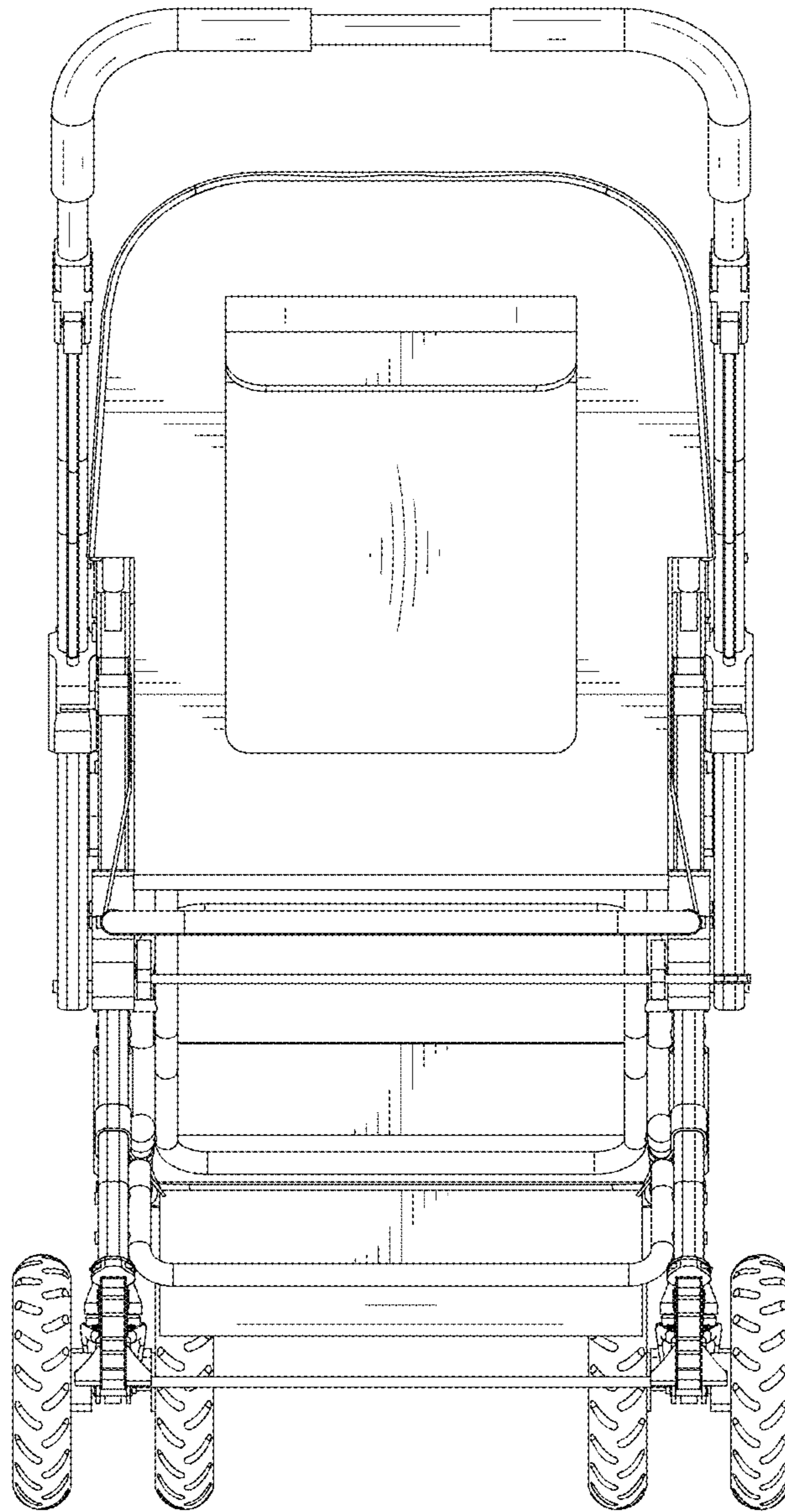


FIG.4

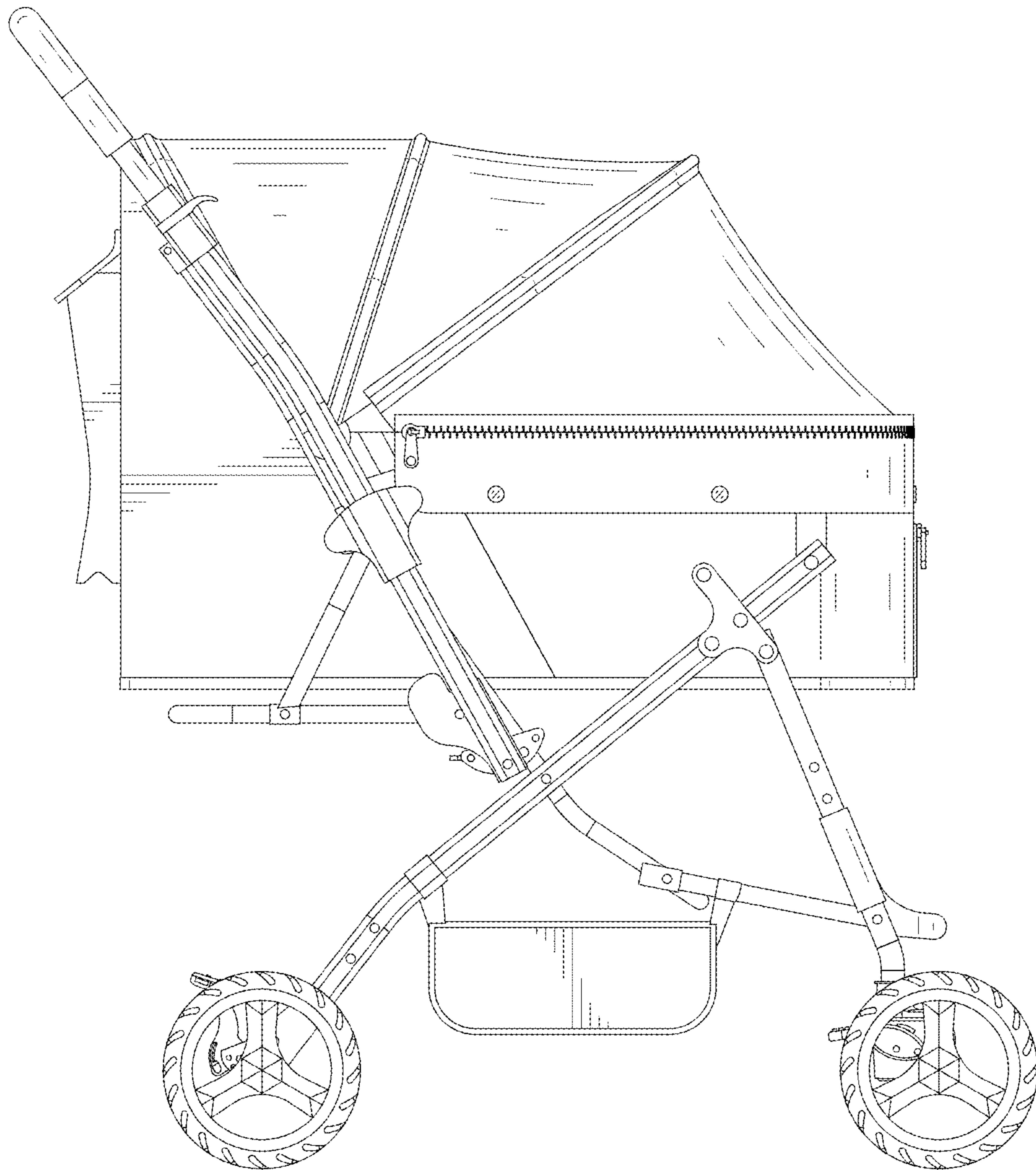


FIG.5

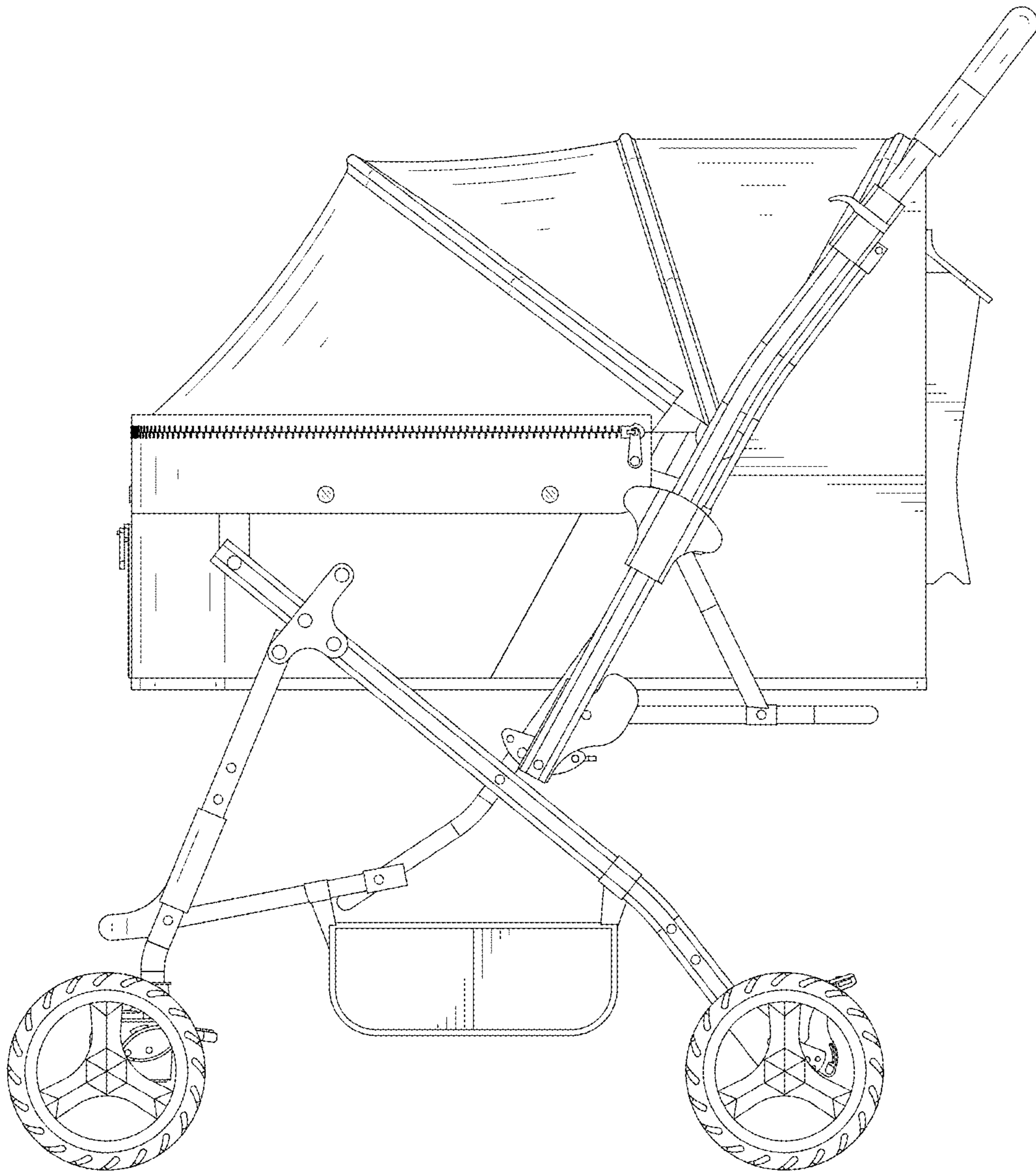


FIG.6



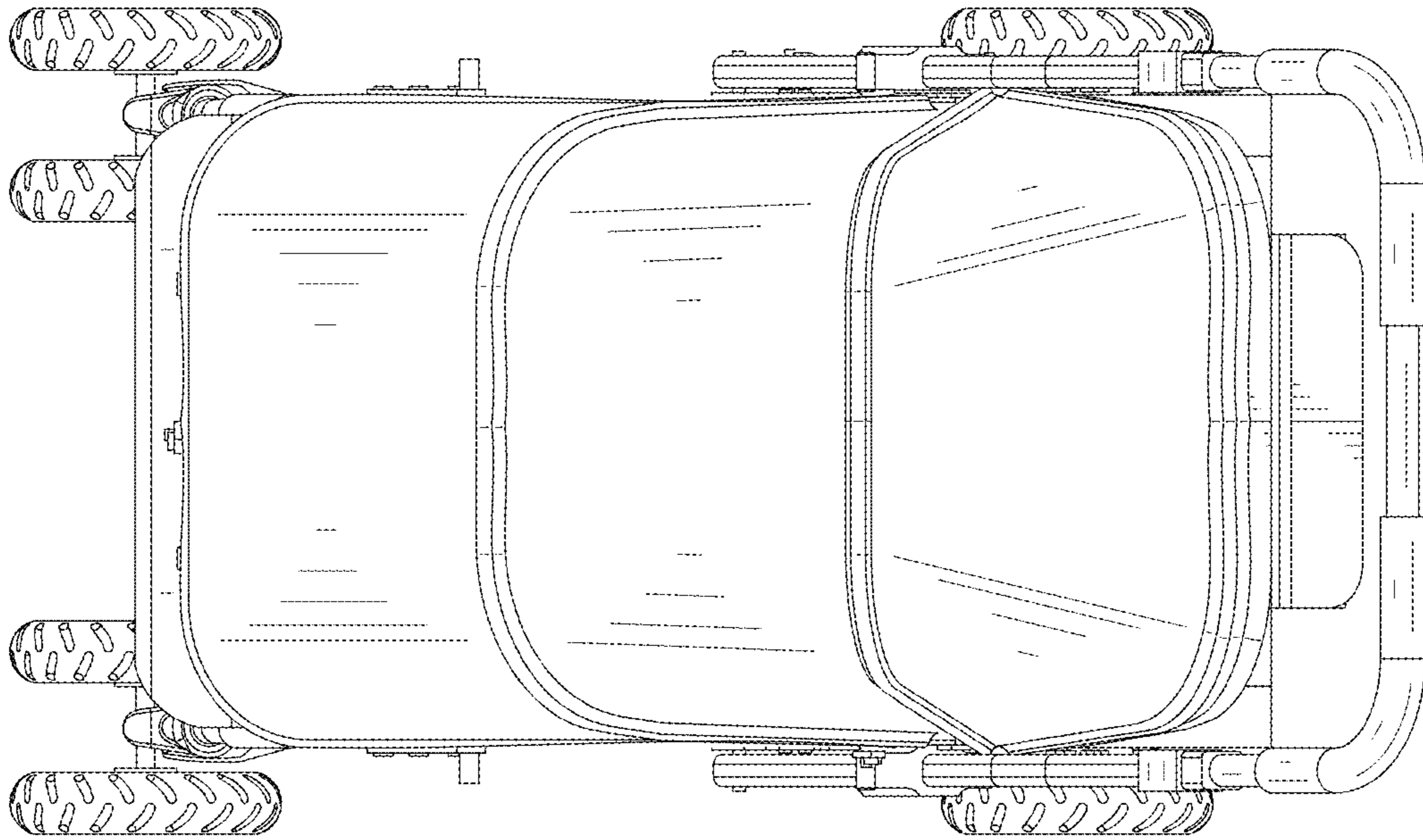


FIG.7

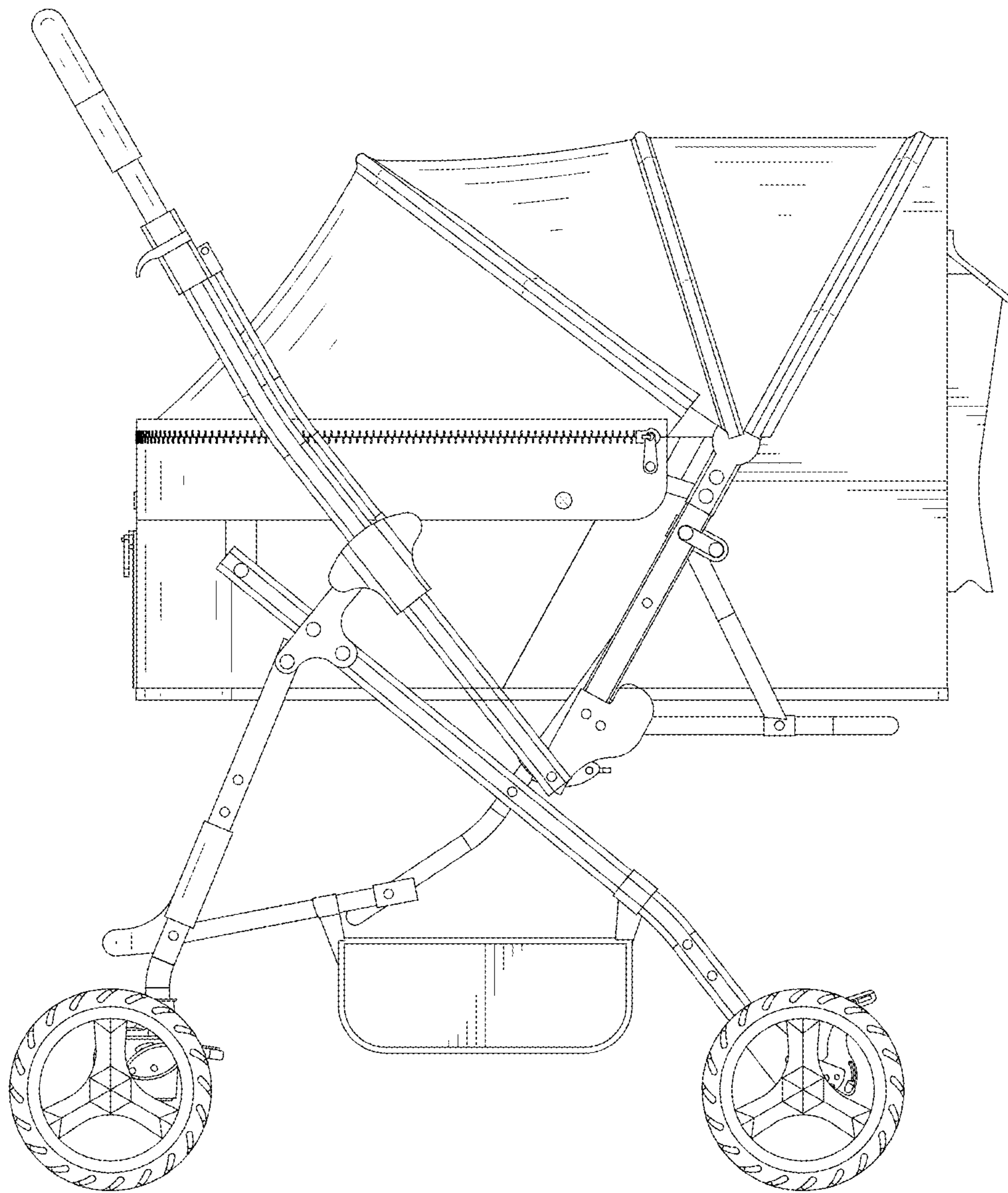


FIG.8

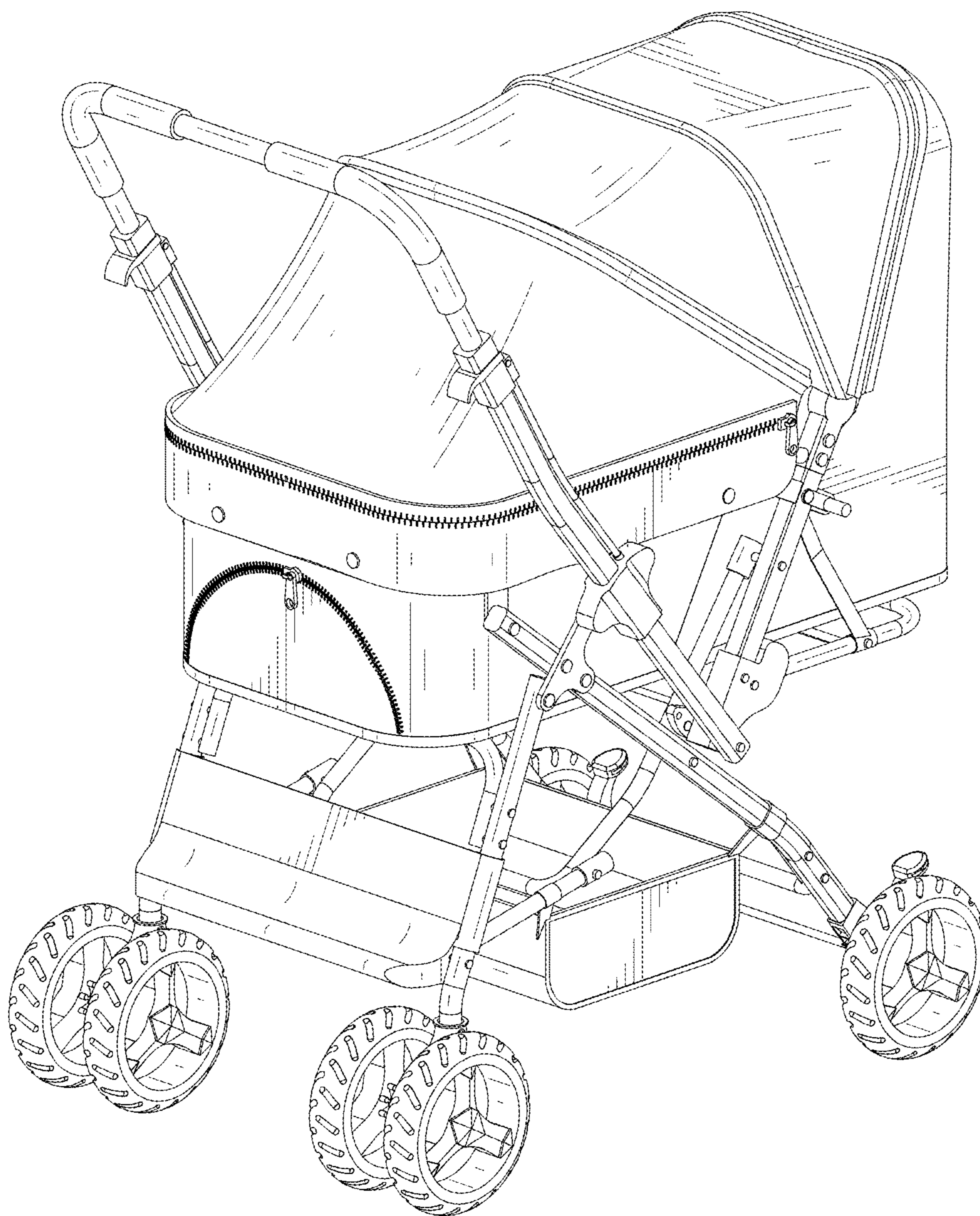


FIG.9

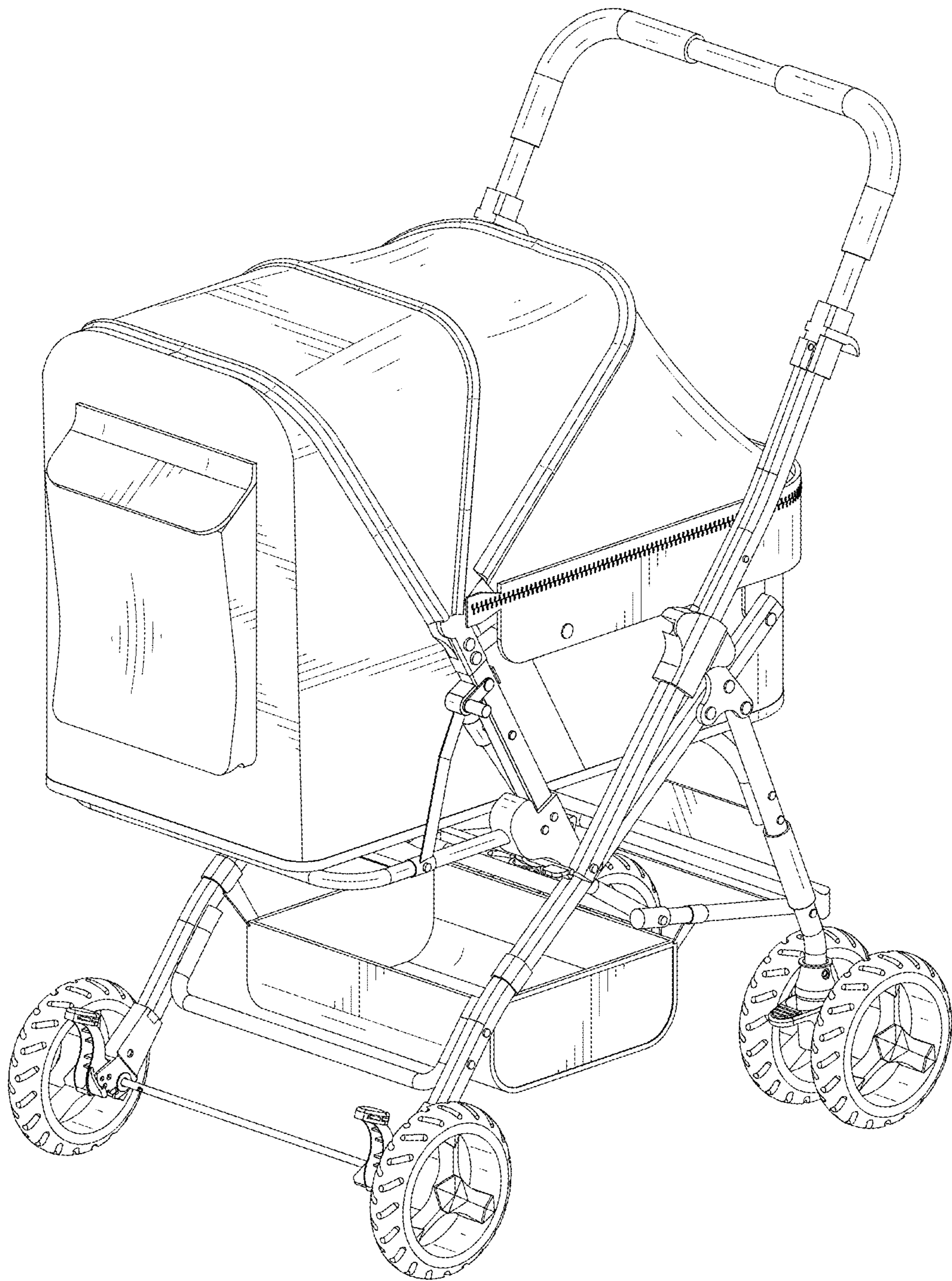


FIG.10