



US00D955059S

(12) **United States Design Patent** (10) **Patent No.:** **US D955,059 S**  
**Li** (45) **Date of Patent:** **\*\* Jun. 14, 2022**

(54) **TENT FOR PETS**  
(71) Applicant: **Guanyi Li**, Shenzhen (CN)  
(72) Inventor: **Guanyi Li**, Shenzhen (CN)  
(\*\*) Term: **15 Years**

D845,554 S \* 4/2019 Lanzkowsky ..... D30/109  
D855,900 S \* 8/2019 Lu ..... D30/109  
D872,945 S \* 1/2020 Lu ..... D30/109  
D914,995 S \* 3/2021 El-Fakir ..... D30/109  
D920,588 S \* 5/2021 Chen ..... D30/108  
2021/0120779 A1\* 4/2021 Li ..... E04H 15/58

(21) Appl. No.: **29/707,363**  
(22) Filed: **Sep. 27, 2019**  
(51) **LOC (13) Cl.** ..... **30-02**  
(52) **U.S. Cl.**  
USPC ..... **D30/109**  
(58) **Field of Classification Search**  
USPC ..... D30/108, 109, 150; D3/213, 216, 246,  
D3/273, 315; D12/128-133; D99/31;  
224/153, 202, 258, 579; 119/52, 474,  
119/482, 489, 491, 496-499, 500, 513,  
119/650, 673, 678, 712, 751  
CPC ..... A01K 1/0254; A45C 3/00; A45C 13/30;  
B62B 5/0013; B62B 9/26; B62B 9/12;  
B62B 9/214  
See application file for complete search history.

**OTHER PUBLICATIONS**

“Porayhut Mispac Portable Twin Compartment” posted Jun. 30, 2020 [Online], [retrieved Oct. 7, 2021], Retrieved from Internet: <https://tinyurl.com/2pednu8>.  
“Double Dual Compartment Pet Carrier” posted Dec. 2, 2016[Online], [retrieved Oct. 7, 2021], Retrieved from Internet: <https://www.amazon.com/Pawhut-Soft-Sided-Portable-Compartment-Carrier/dp/B01N2WKQ0F?th=1>.

\* cited by examiner

*Primary Examiner* — Mehri F Bajoul  
(74) *Attorney, Agent, or Firm* — Law Offices of Steven W. Weinrieb

(56) **References Cited**

**U.S. PATENT DOCUMENTS**

D332,166 S \* 12/1992 Williams ..... D99/29  
5,335,618 A \* 8/1994 Zarola ..... A01K 1/00  
119/497  
D387,508 S \* 12/1997 Van Engers ..... D30/109  
D399,034 S \* 9/1998 Duane ..... D99/29  
6,076,485 A \* 6/2000 Peeples ..... A01K 1/0254  
119/496  
D461,024 S \* 7/2002 Newdoll ..... D30/108  
D468,872 S \* 1/2003 Woehler ..... D30/108  
6,688,256 B1 \* 2/2004 King ..... A01K 1/0245  
119/474  
6,715,446 B2 \* 4/2004 Chou ..... A01K 1/033  
119/497  
D524,995 S \* 7/2006 Dudas ..... D30/109  
D551,810 S \* 9/2007 Yeung ..... D30/108

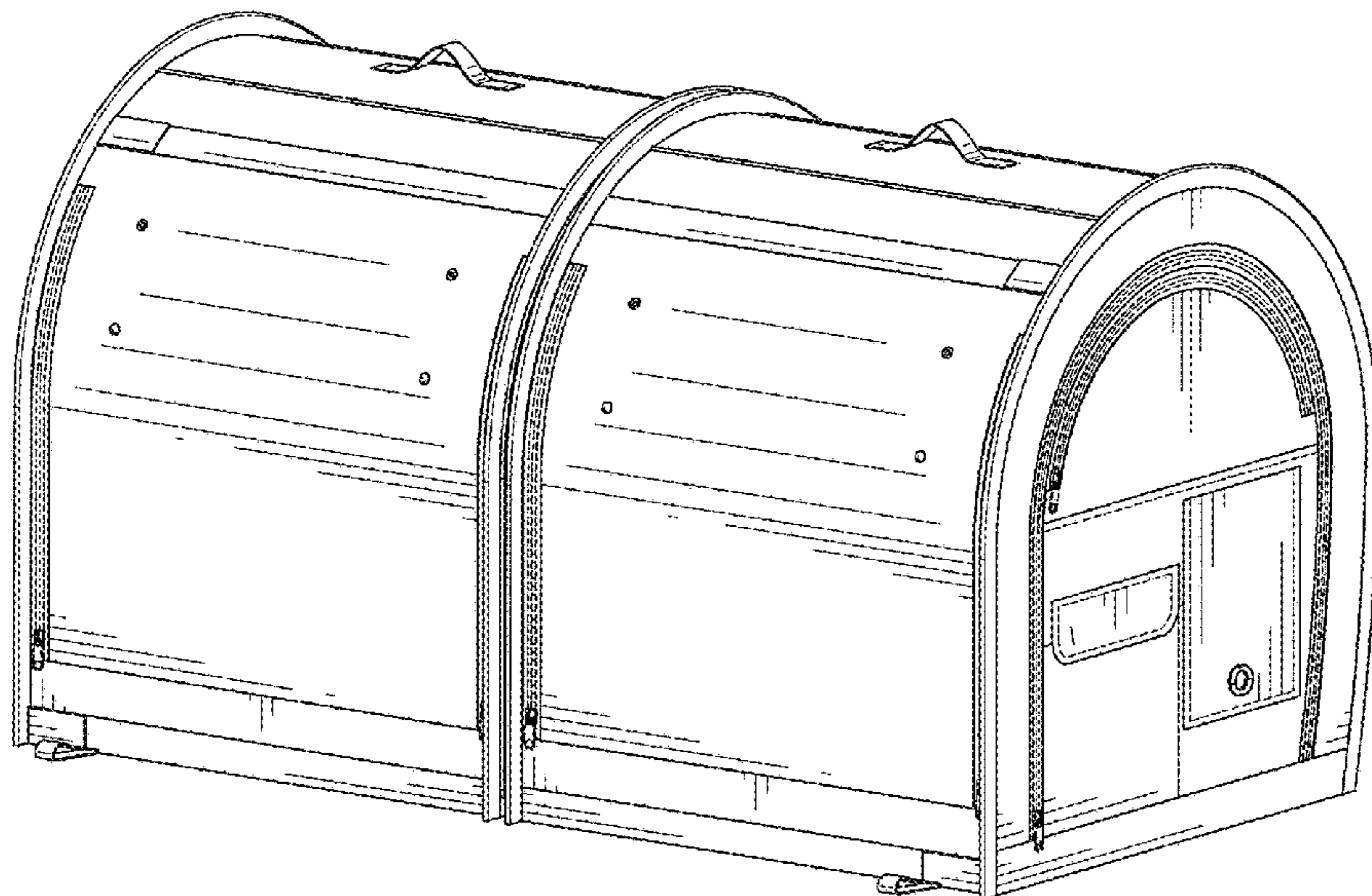
(57) **CLAIM**

The ornamental design for a tent for pets, as shown and described.

**DESCRIPTION**

FIG. 1 is a front, left side, top perspective view of the tent for pets showing my new design;  
FIG. 2 is a rear, right side, bottom perspective view thereof;  
FIG. 3 is a left side elevational view thereof;  
FIG. 4 is a rear elevational view thereof;  
FIG. 5 is a rear elevational view thereof;  
FIG. 6 is a front elevational view thereof;  
FIG. 7 is a top plan view thereof; and,  
FIG. 8 is a bottom plan view thereof.  
The broken lines in the drawings, depict portions of the tent for pets that form no part of the claimed design.

**1 Claim, 8 Drawing Sheets**



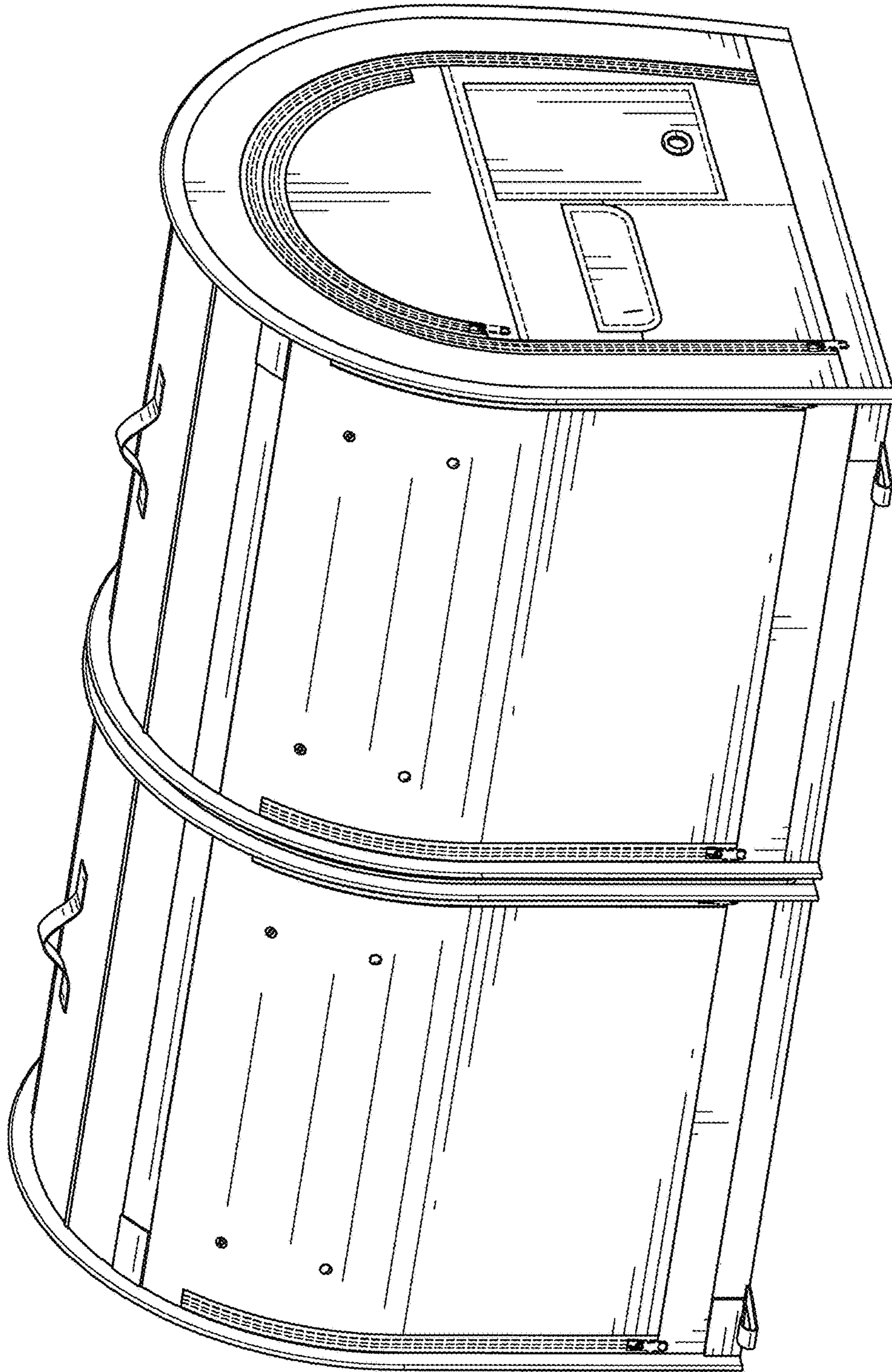


FIG.1



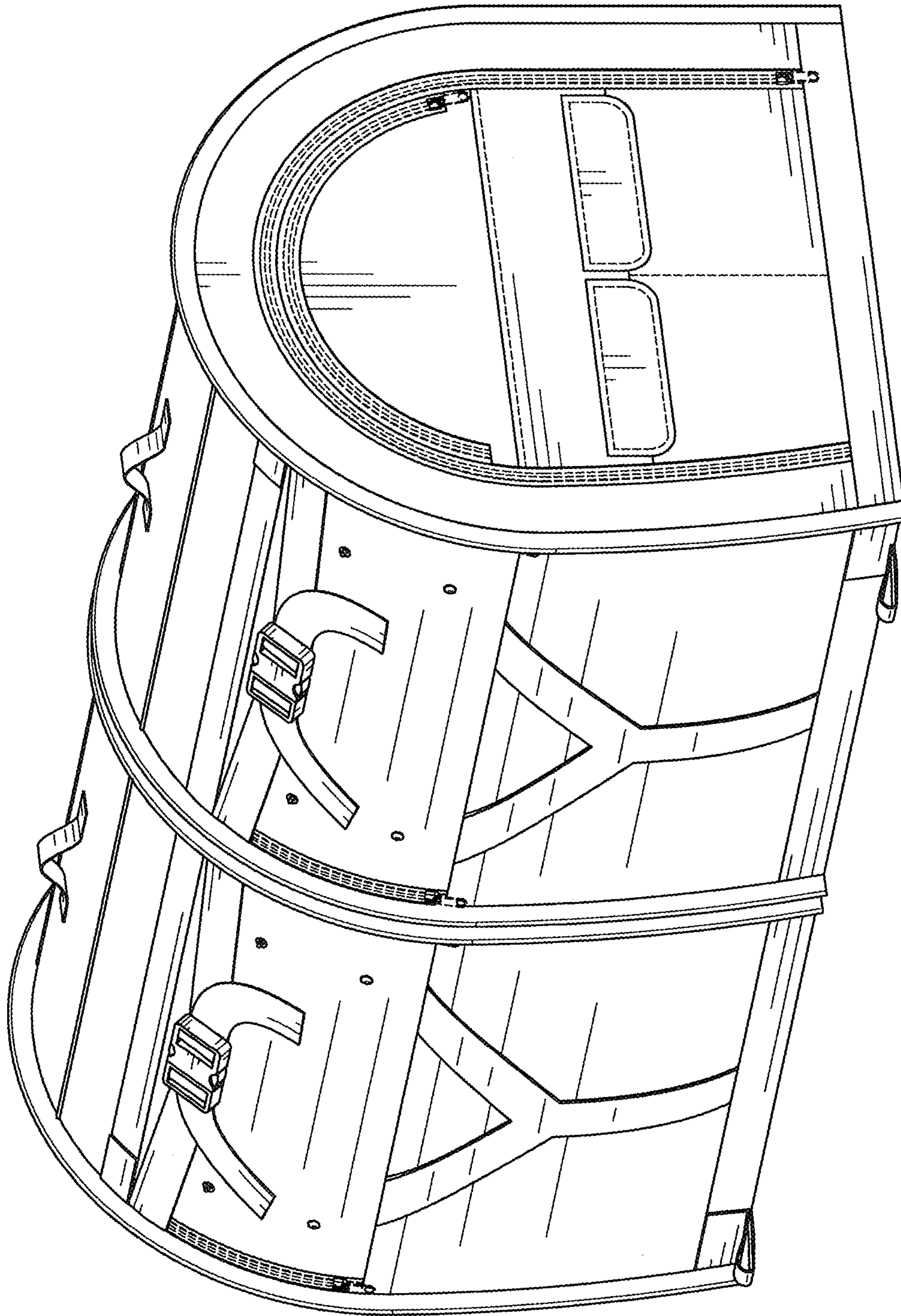


FIG.2

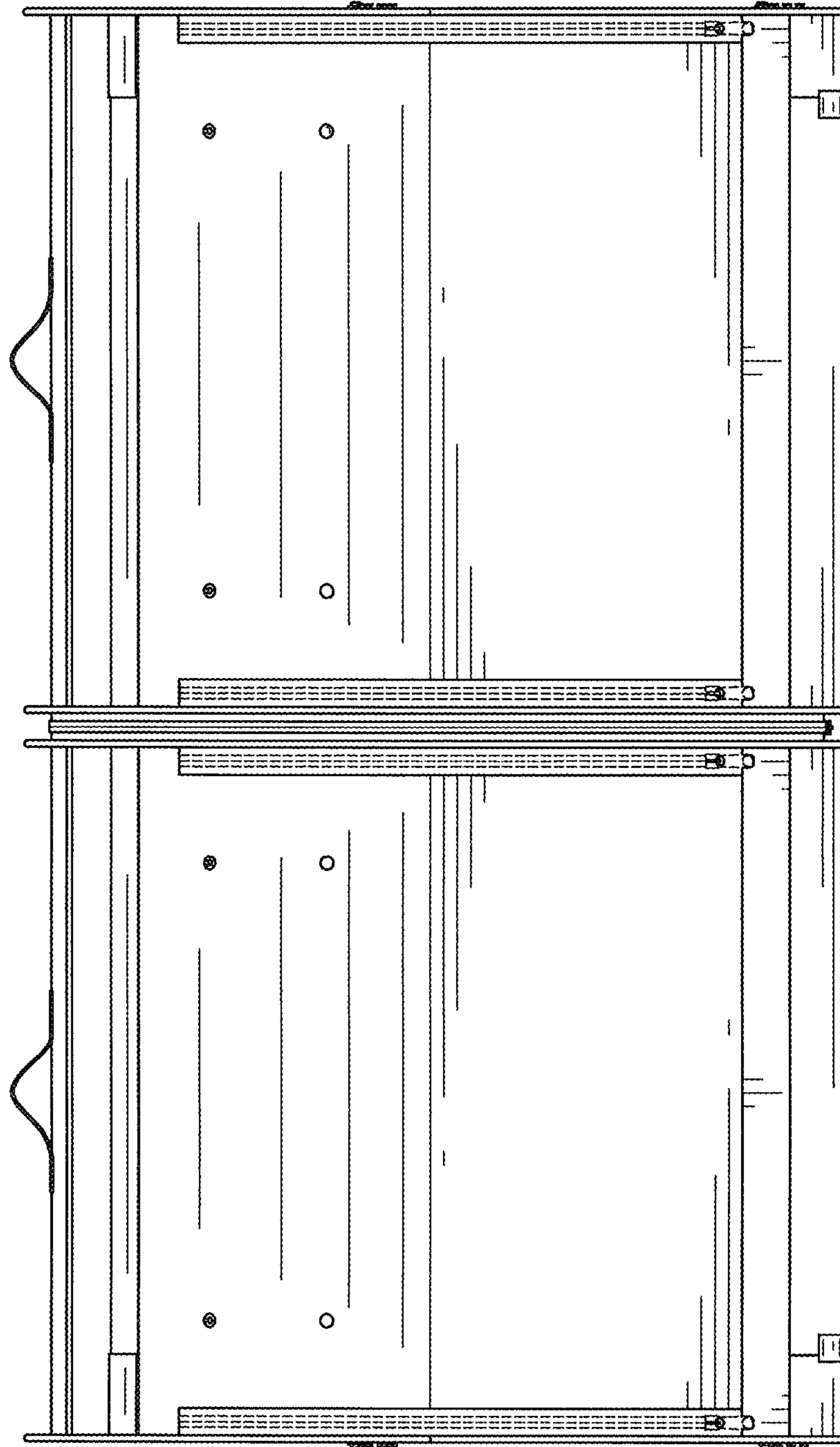


FIG. 3

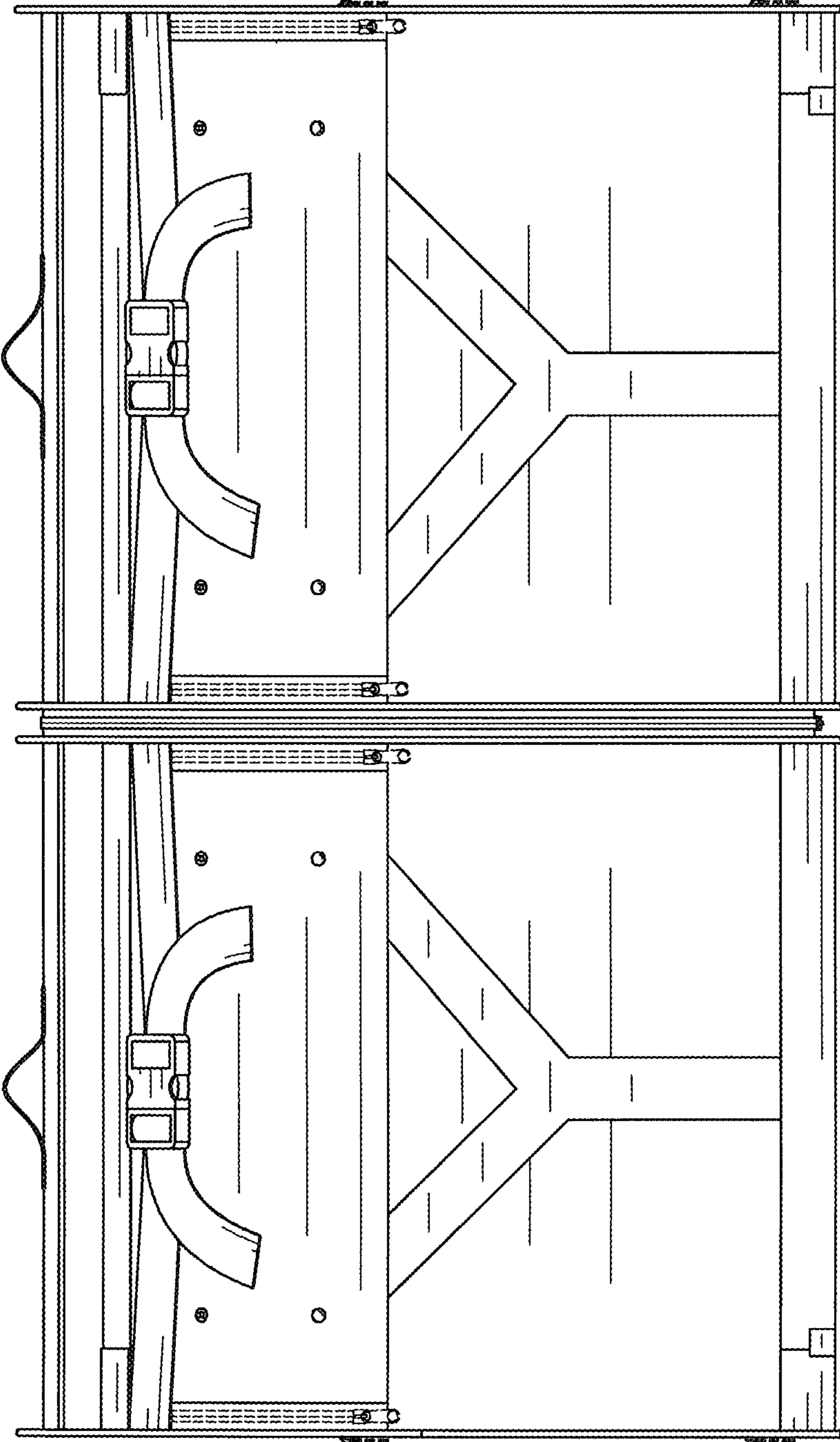


FIG. 4

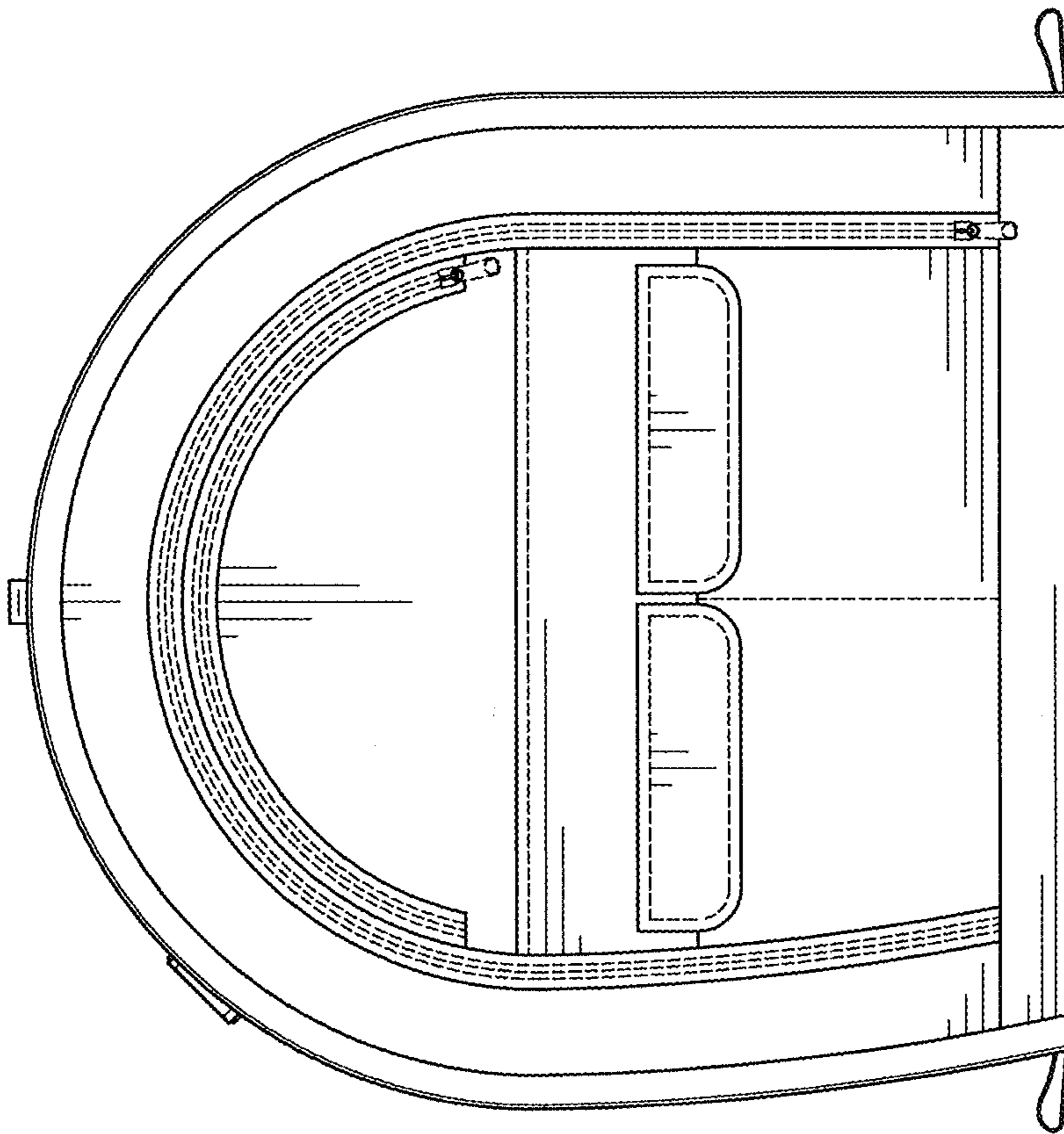


FIG. 5

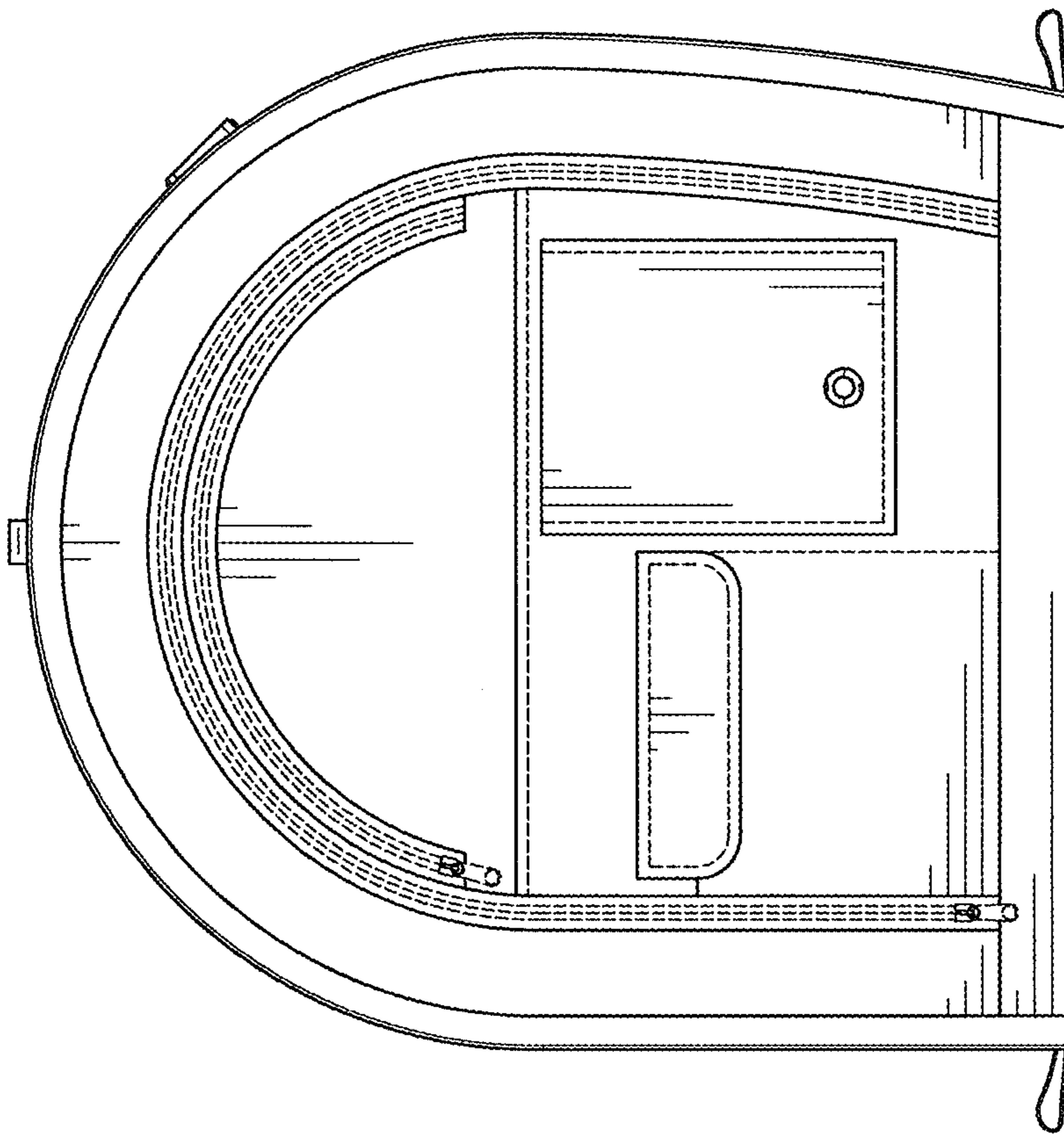


FIG.6



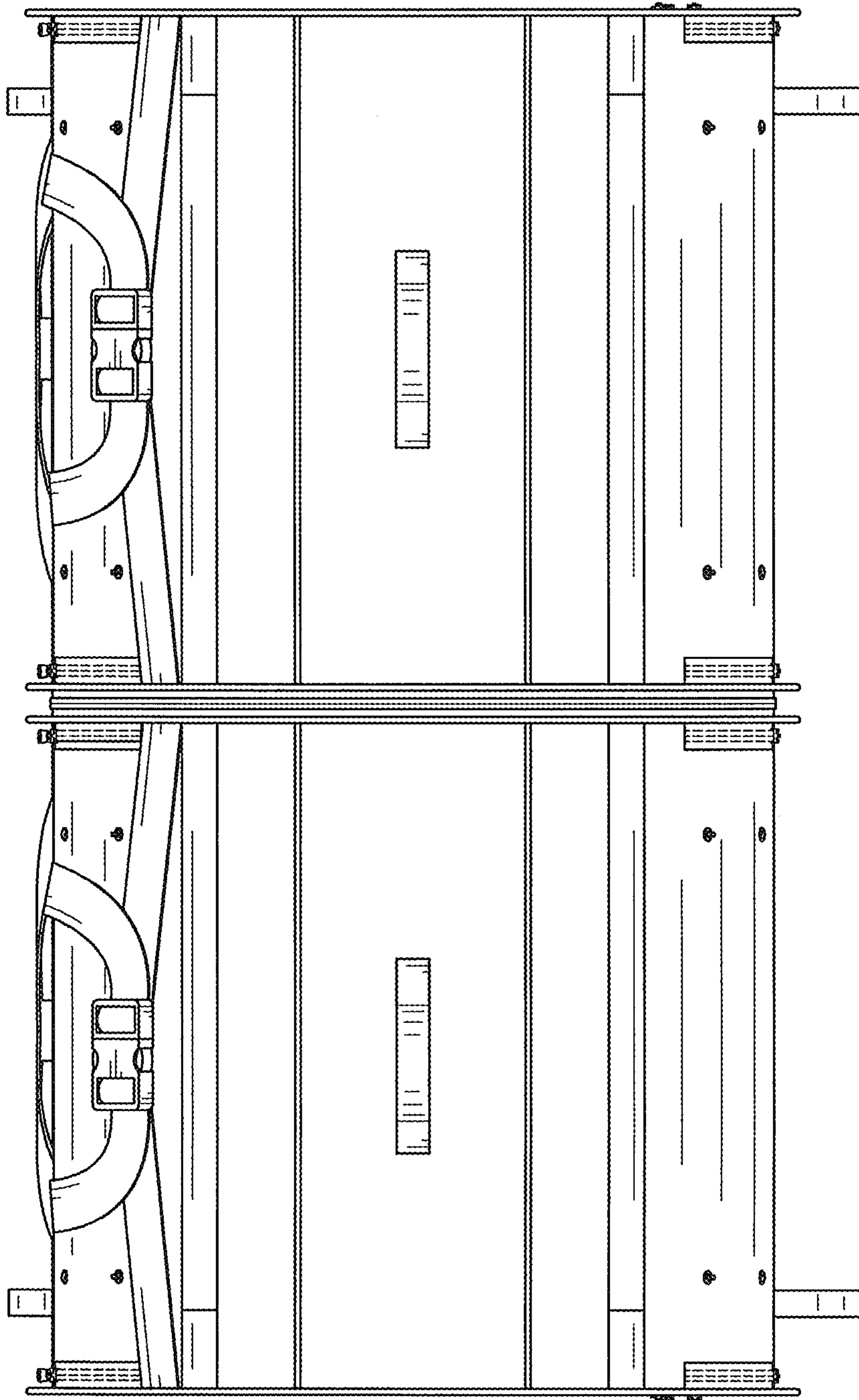


FIG. 7



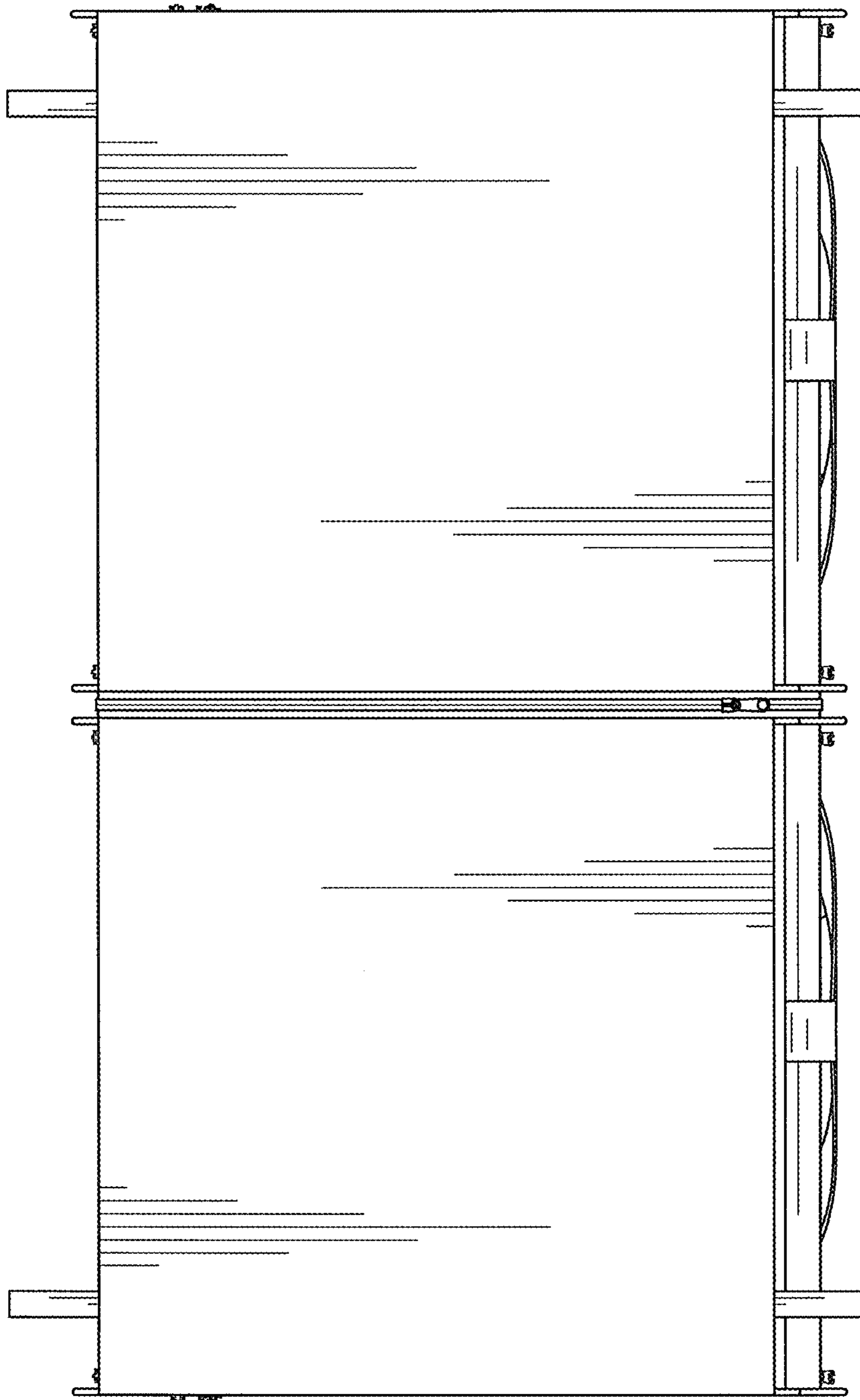


FIG. 8