



US00D955058S

(12) **United States Design Patent**  
**Bruyn et al.**

(10) **Patent No.:** **US D955,058 S**  
(45) **Date of Patent:** **\*\* Jun. 14, 2022**

- (54) **CAP WITH DUCT**
- (71) Applicant: **RPB Safety, LLC**, Royal Oak, MI (US)
- (72) Inventors: **Patrick L. Bruyn**, Christchurch (NZ);  
**Edward Williams**, Christchurch (NZ);  
**Jonathan Kettle**, Christchurch (NZ)
- (73) Assignee: **RPB SAFETY, LLC**, Royal Oak, MI (US)
- (\*\*) Term: **15 Years**
- (21) Appl. No.: **29/743,908**
- (22) Filed: **Jul. 24, 2020**
- (51) **LOC (13) Cl.** ..... **02-99**
- (52) **U.S. Cl.**  
USPC ..... **D29/122**
- (58) **Field of Classification Search**  
USPC ..... D29/102, 103, 106, 107, 108, 110, 122;  
D24/110.2  
CPC ..... A42B 3/225; A42B 3/226; A42B 3/18;  
A42B 3/185; A42B 3/20; A42B 3/22;  
A42B 3/221; A42B 3/222; A42B 3/28;  
A41D 13/11; A41D 13/1161; A41D  
13/1184; A62B 7/10; A62B 18/04; A62B  
18/08  
See application file for complete search history.

- (56) **References Cited**  
U.S. PATENT DOCUMENTS  
D344,160 S \* 2/1994 Boza ..... D29/107  
D397,519 S \* 8/1998 Crupi ..... D29/107  
D420,770 S \* 2/2000 Burns ..... D29/102  
8,534,279 B2 \* 9/2013 Brace ..... A62B 18/045  
128/201.24  
D716,505 S \* 10/2014 Wu ..... D29/122

- D716,506 S \* 10/2014 Wu ..... D29/122
- D731,123 S \* 6/2015 Spear ..... D29/122
- D857,999 S \* 8/2019 Hanner ..... D29/107
- 10,470,502 B2 \* 11/2019 Rosati ..... A41D 13/0025
- 10,667,568 B2 \* 6/2020 Rosati ..... A62B 7/00
- 11,064,756 B2 \* 7/2021 Kidman ..... A42B 3/30
- D927,785 S \* 8/2021 Wu ..... D29/102
- D930,162 S \* 9/2021 Cremer ..... D24/160
- 2008/0092279 A1 \* 4/2008 Chiang ..... A42B 3/145  
2/425
- 2010/0294270 A1 \* 11/2010 Curran ..... A62B 18/045  
128/201.23
- 2011/0265790 A1 \* 11/2011 Walker ..... A62B 17/04  
128/201.23
- 2020/0060359 A1 \* 2/2020 Jascomb ..... A42B 3/225
- 2021/0195980 A1 \* 7/2021 Cartwright ..... A42B 3/225
- 2021/0339061 A1 \* 11/2021 Fajardo ..... A62B 9/00
- 2021/0392988 A1 \* 12/2021 Jefferis ..... A42B 3/0406

\* cited by examiner

*Primary Examiner* — Kimberly Barnes  
(74) *Attorney, Agent, or Firm* — William H. Honaker;  
Dickinson Wright PLLC

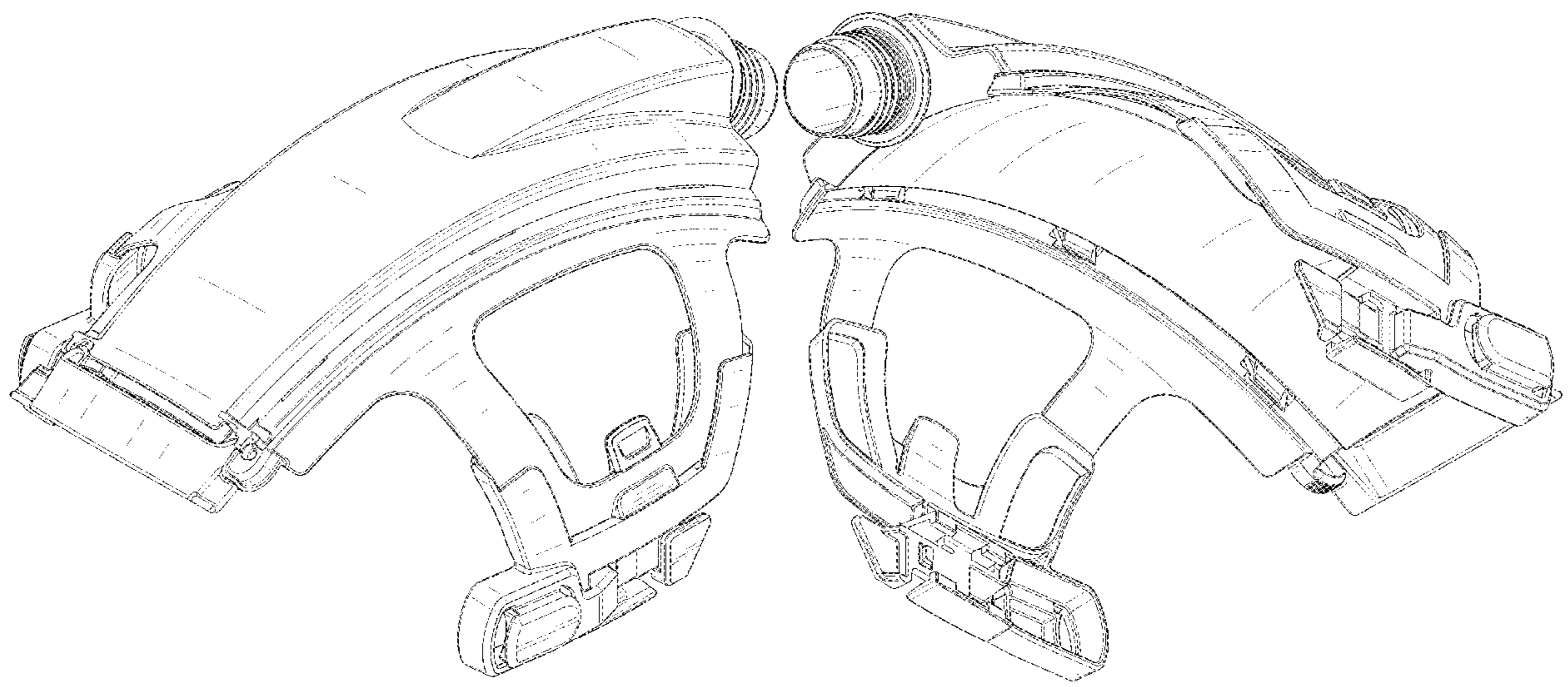
(57) **CLAIM**

The ornamental design for a cap with duct, as shown and described.

**DESCRIPTION**

FIG. 1 is a perspective view of a cap with duct showing our new design.  
FIG. 2 is a bottom perspective view thereof.  
FIG. 3 is a front view thereof.  
FIG. 4 is a rear view thereof.  
FIG. 5 is a side view thereof.  
FIG. 6 is a side view thereof.  
FIG. 7 is a top view thereof; and,  
FIG. 8 is a bottom view thereof.

**1 Claim, 7 Drawing Sheets**



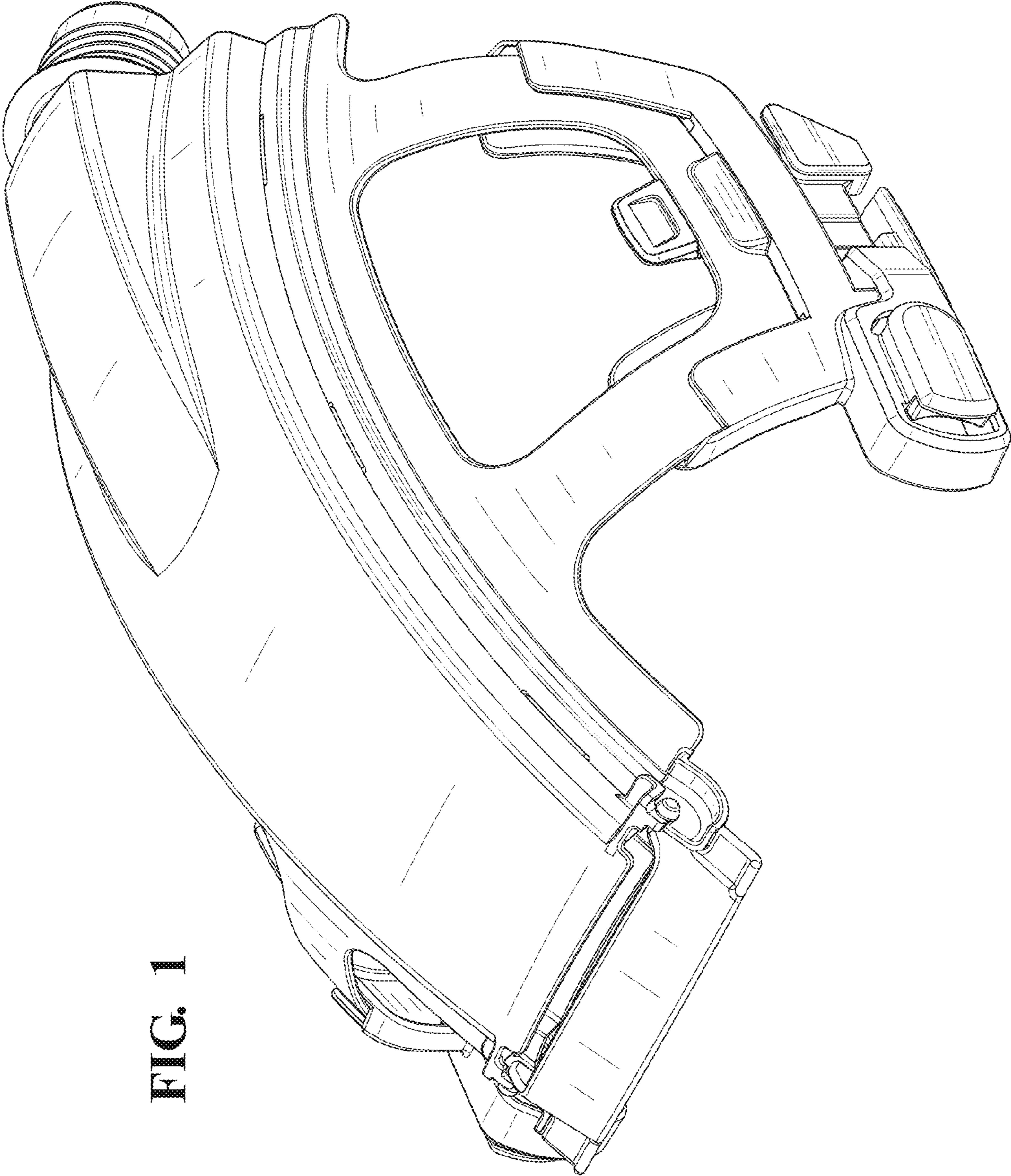
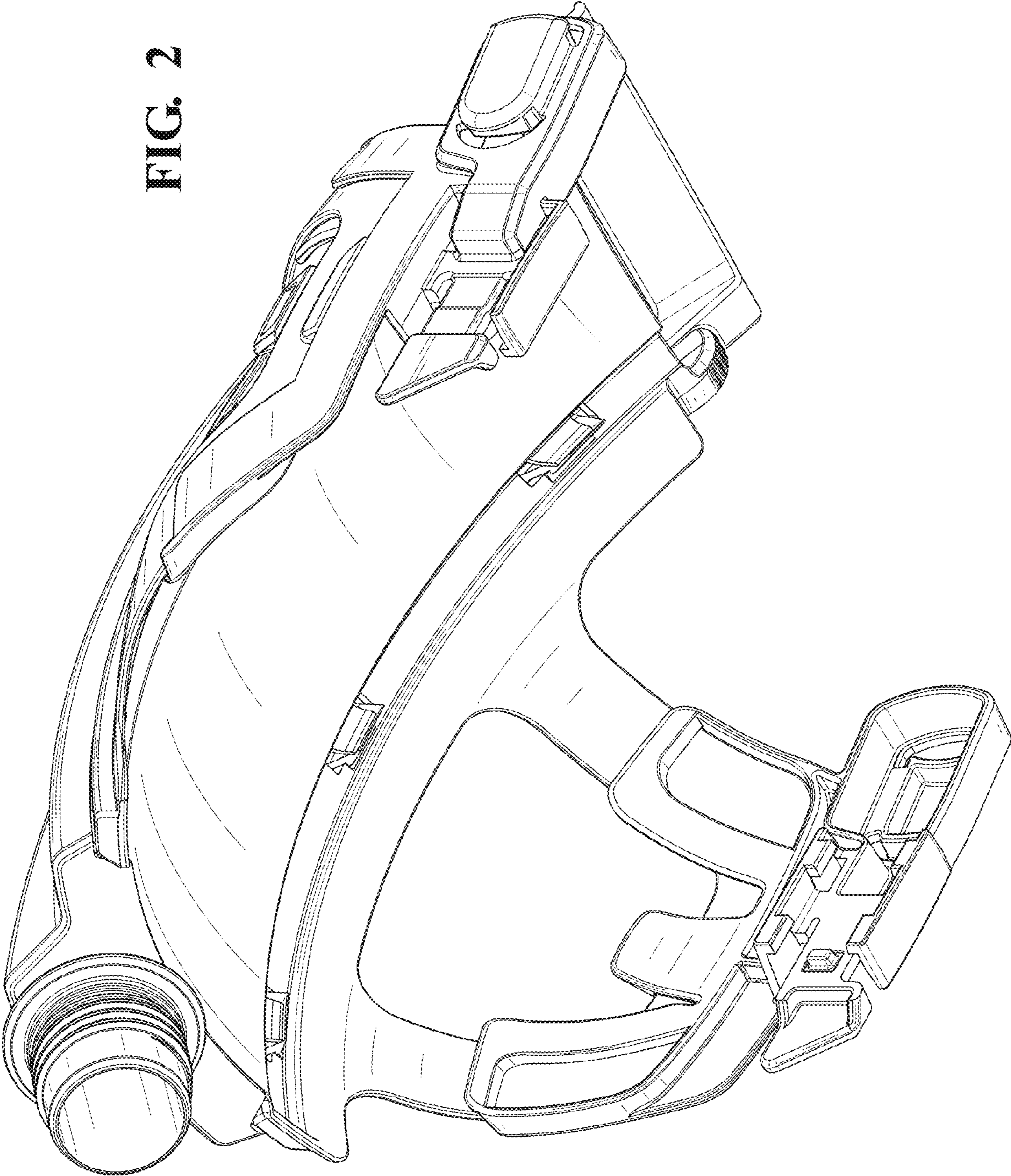


FIG. 1

FIG. 2



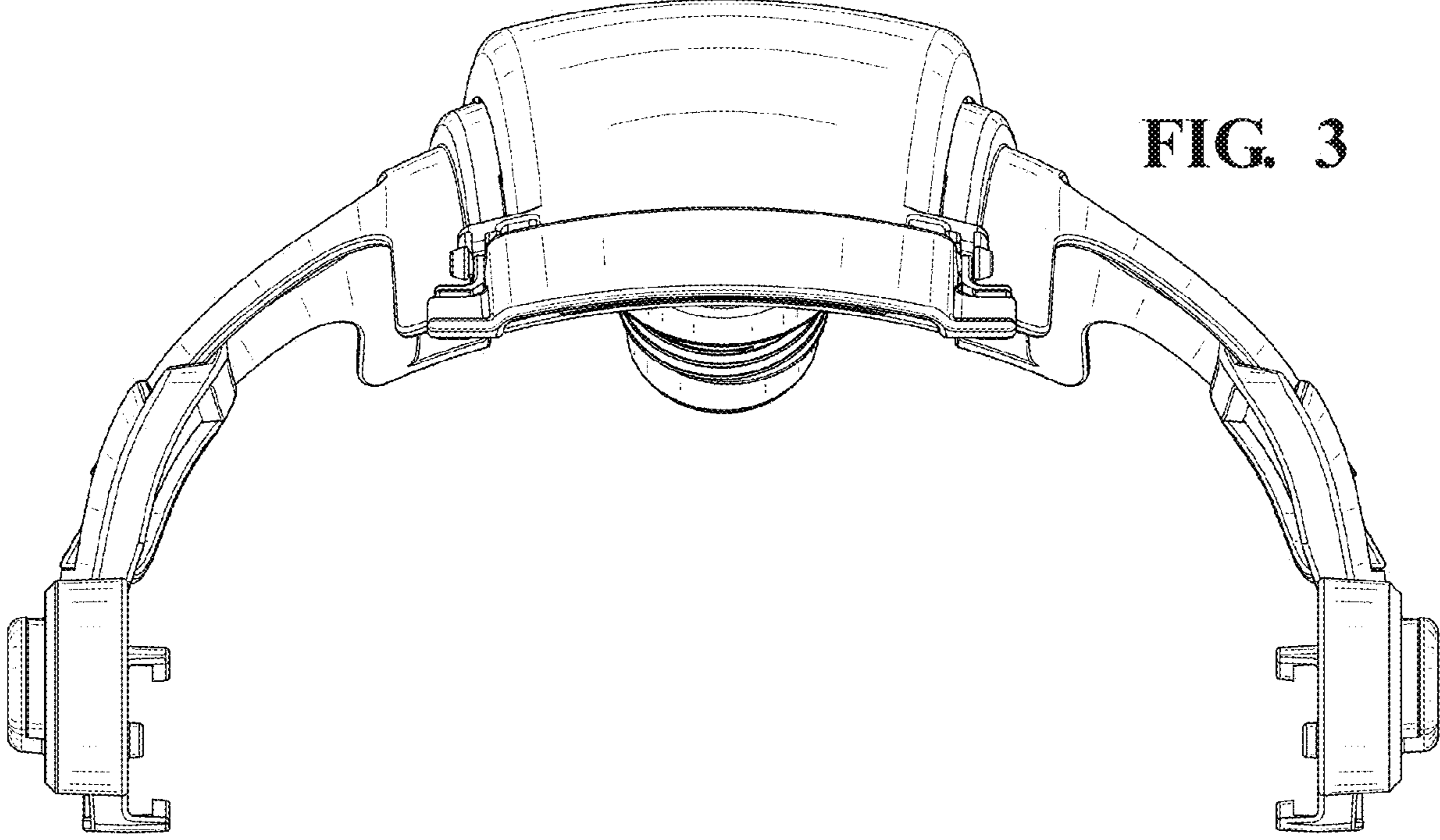


FIG. 3

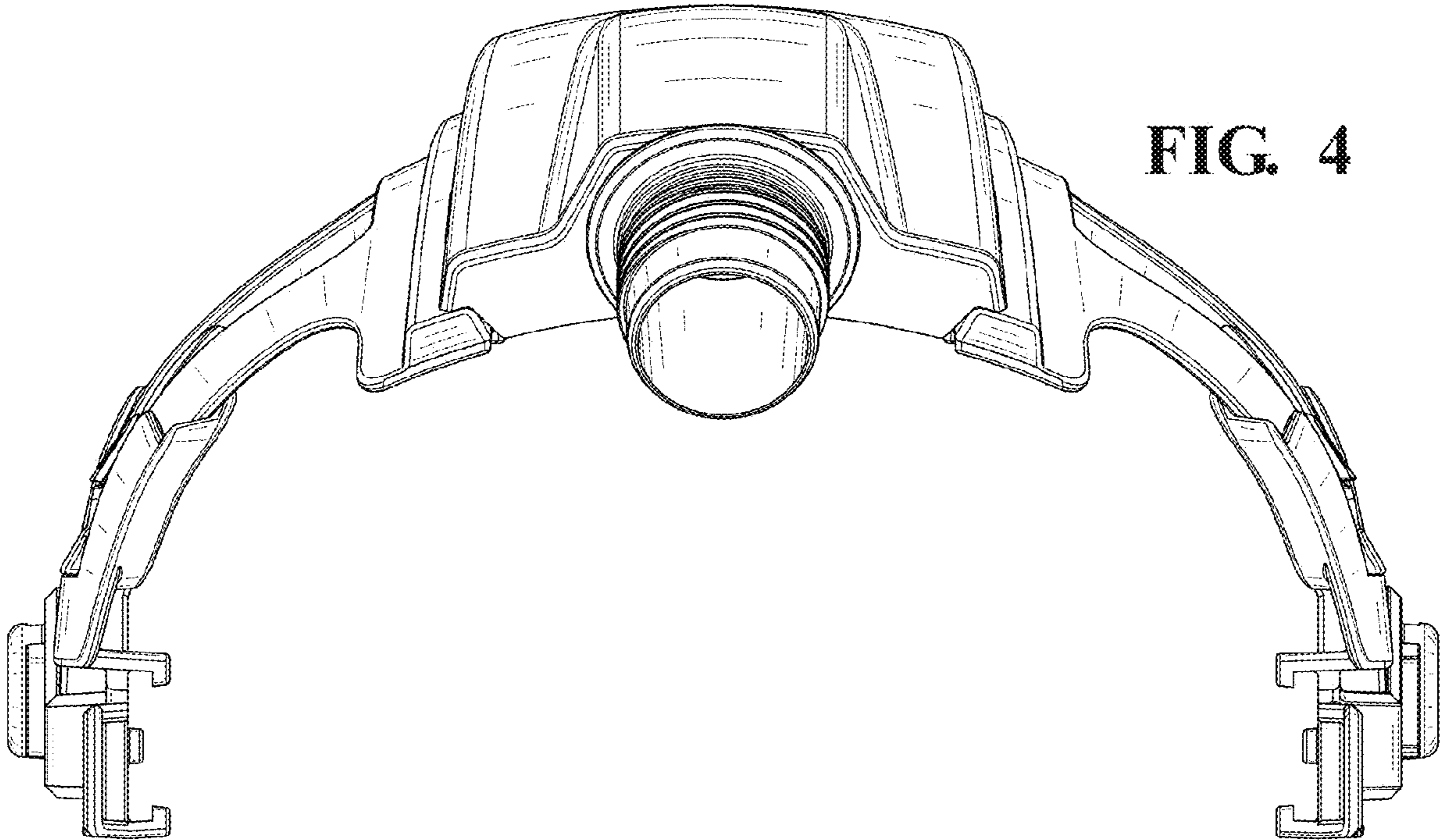


FIG. 4

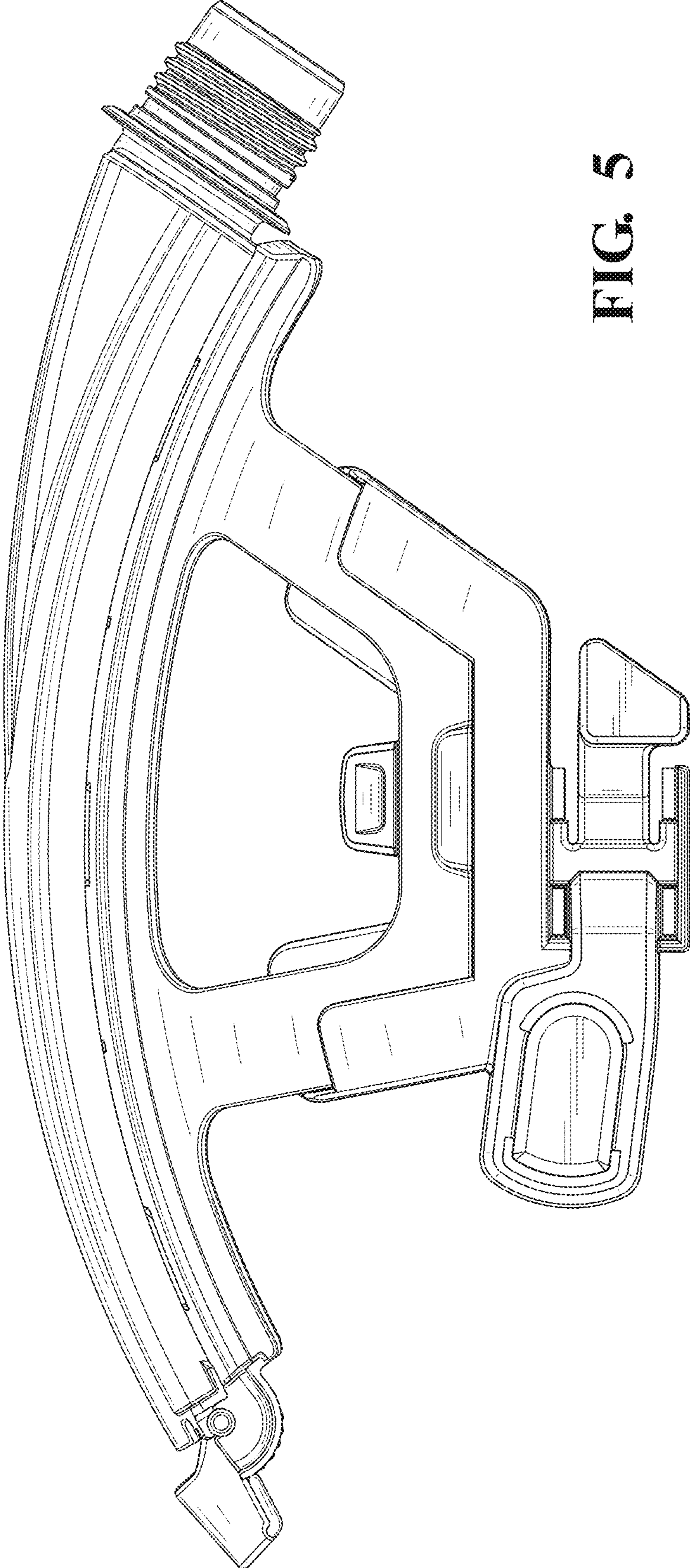


FIG. 5

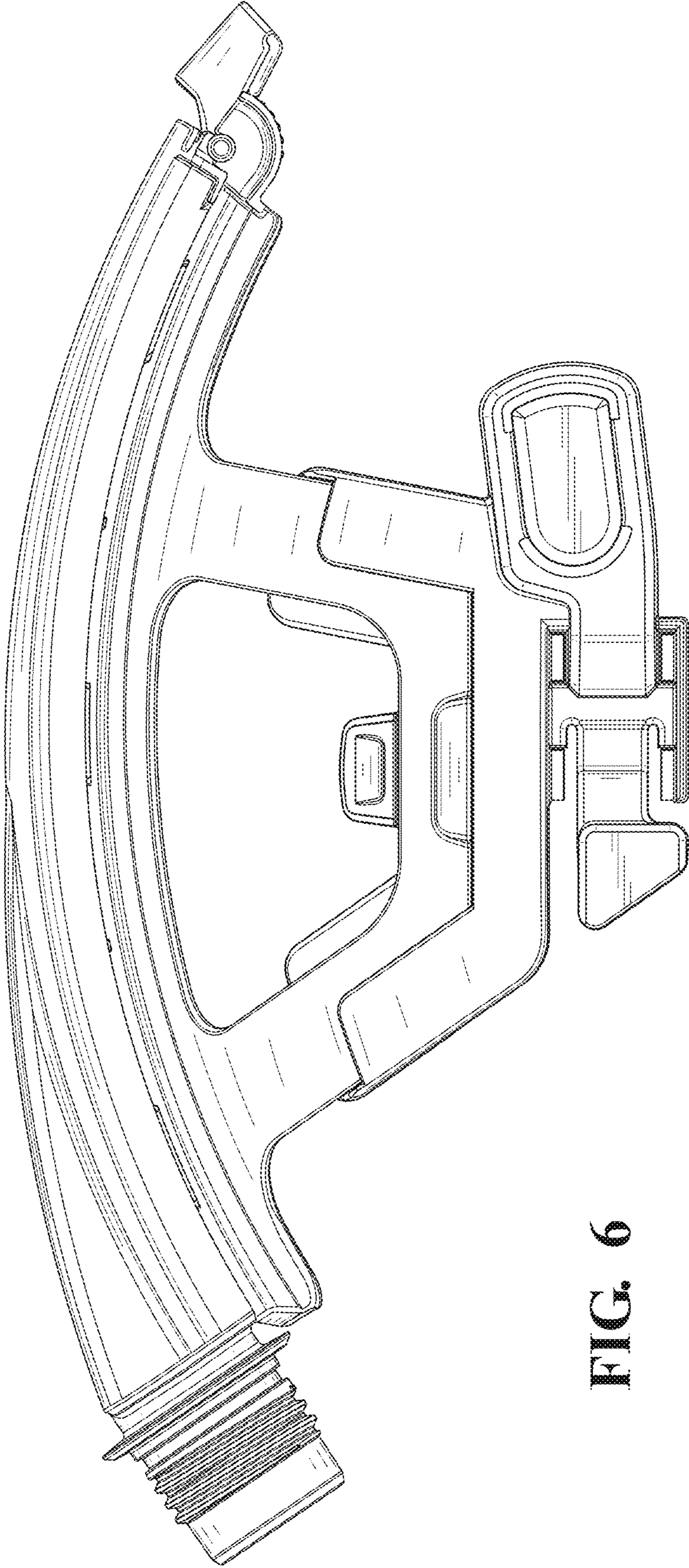


FIG. 6

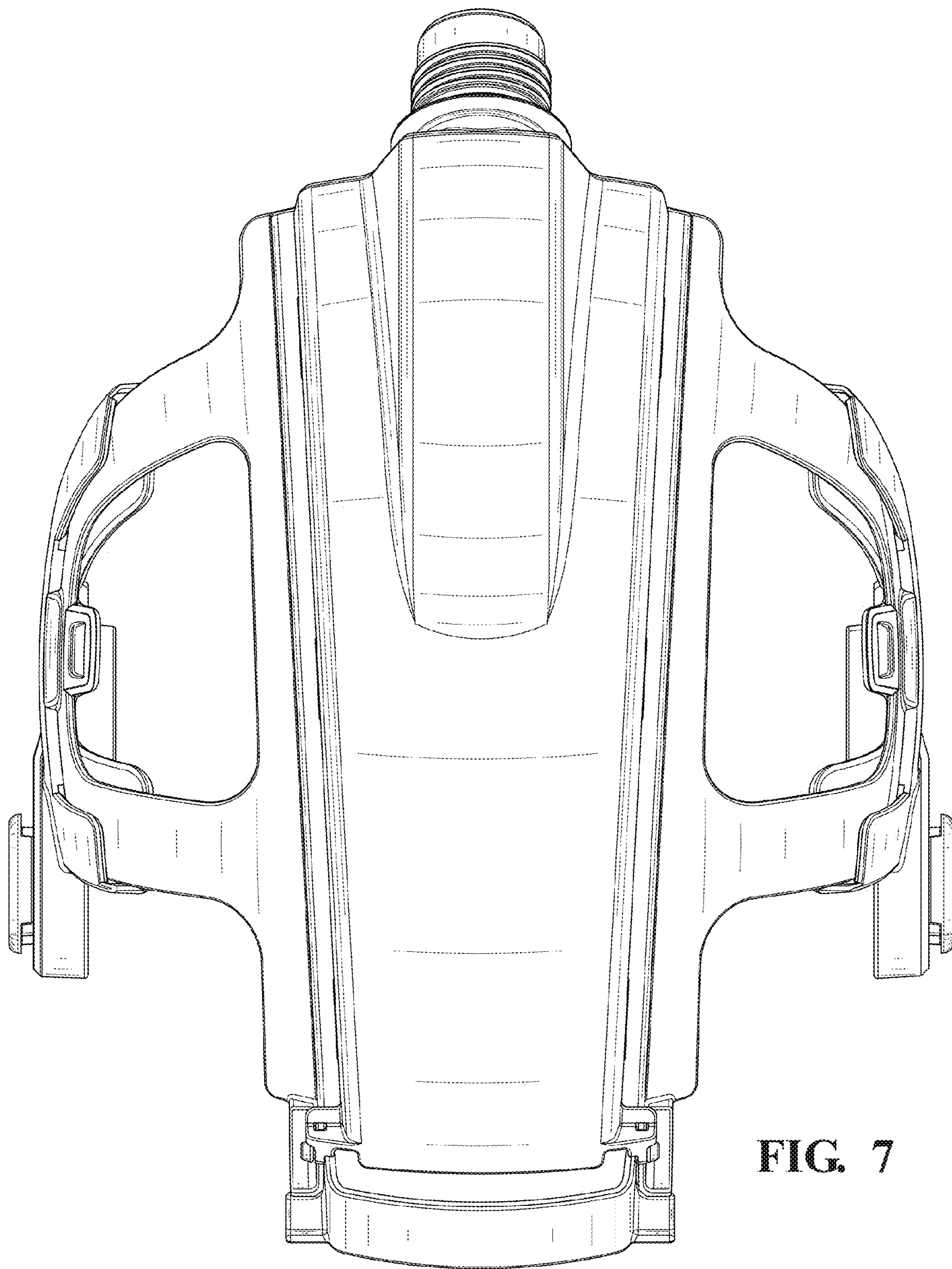


FIG. 7

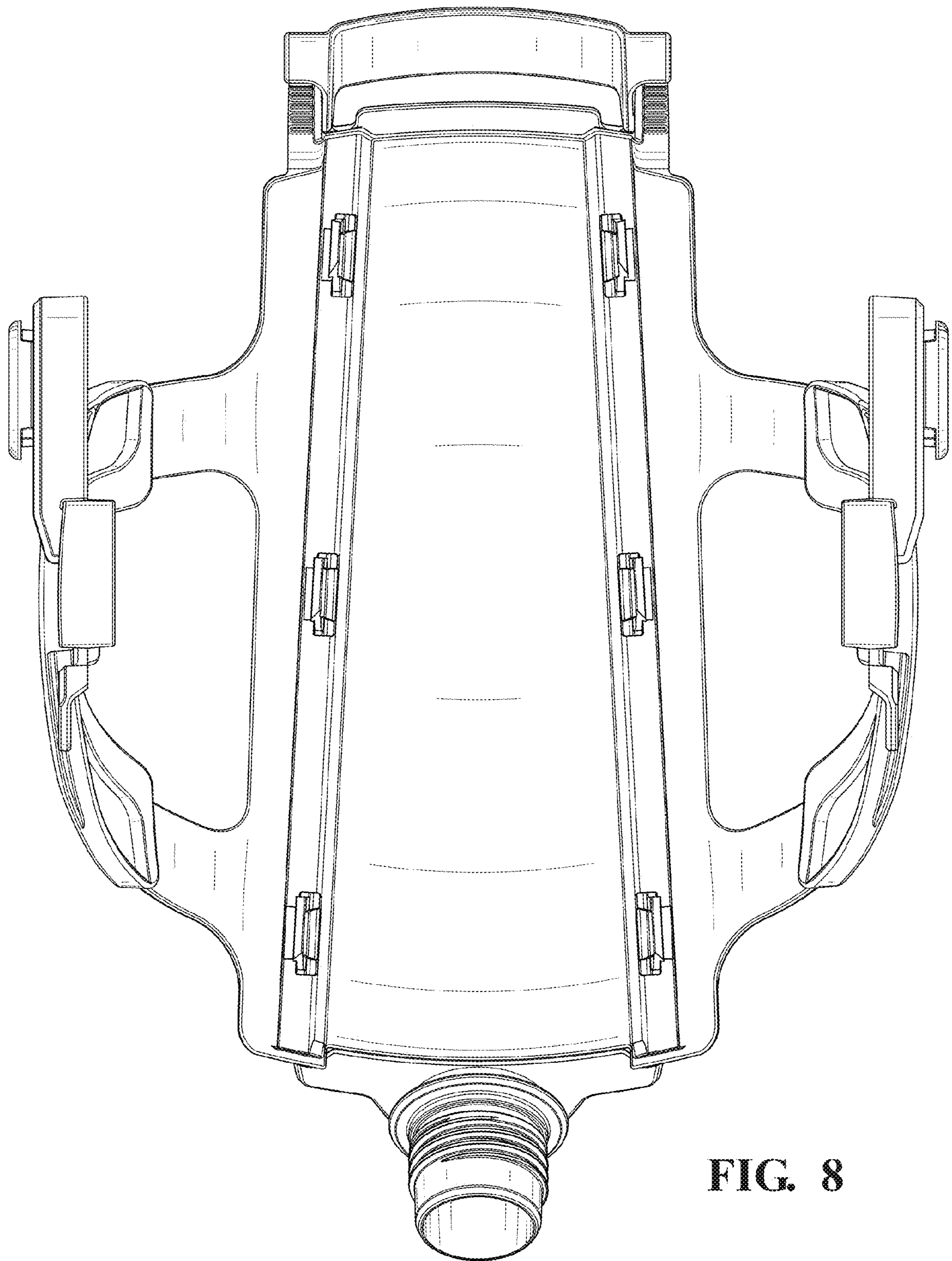


FIG. 8