



US00D955051S

(12) **United States Design Patent**
de Belizal

(10) **Patent No.:** **US D955,051 S**
(45) **Date of Patent:** **** Jun. 14, 2022**

(54) **BEARD TRIMMER**
(71) Applicant: **BABYLISS FACO SRL**, Wandre (BE)
(72) Inventor: **Charles de Gouzillon de Belizal**,
Herstal (BE)
(73) Assignee: **BABYLISS FACO SRL**, Wandre (BE)
(**) Term: **15 Years**

(21) Appl. No.: **35/510,253**
(22) Filed: **Aug. 20, 2020**

(80) **Hague Agreement Data**
Int. Filing Date: **Aug. 20, 2020**
Int. Reg. No.: **DM/209972**
Int. Reg. Date: **Aug. 20, 2020**
Int. Reg. Pub. Date: **Sep. 4, 2020**

(30) **Foreign Application Priority Data**
Feb. 25, 2020 (EM) 007714498-0007

(51) **LOC (13) Cl.** **28-03**
(52) **U.S. Cl.**

USPC **D28/53**
(58) **Field of Classification Search**

USPC D28/44.1, 49-54
CPC . A45D 7/06; A45D 2/001; A45D 1/04; A45D
7/04; A45D 20/12; A45D 1/28; A45D
2001/002; A45D 2007/001; A45D 20/10;
A45D 2/125; A45D 19/005; A45D
19/0066; A45D 1/00; A45D 1/06; A45D
2044/007; A45D 2200/25; A45D 2/146;
A45D 44/005; A45D 7/00; A45D 7/02;
A45D 19/00; A45D 19/012; A45D 1/10;
A45D 1/14; A45D 1/20; A45D 2001/004;
A45D 2001/008; A45D 2001/045; A45D
2002/003; A45D 2002/025; A45D
2007/005; A45D 20/00; A45D 20/04;
A45D 20/16; A45D 20/40; A45D
2200/00; A45D 2200/05; A45D 2200/202;

A45D 2200/205; A45D 24/00; A45D
2/00; A45D 2/002; A45D 2/02; A45D
2/18; A45D 2/20; A45D 2/46; A45D
44/02; A45D 44/04; A45D 44/14; A45D
6/00; A45D 8/00; A45D 8/008; A45D
8/34

See application file for complete search history.

(56) **References Cited**

U.S. PATENT DOCUMENTS

D824,106	S	*	7/2018	Teteak	D28/53
D824,107	S	*	7/2018	Teteak	D28/53
D827,933	S	*	9/2018	Teteak	D28/53
D828,627	S	*	9/2018	Szymanski	D28/51
D836,841	S	*	12/2018	de Belizal	D28/53
D894,762	S	*	9/2020	de Gouzillon de Belizal	D10/53
D899,690	S	*	10/2020	de Belizal	D28/53
D905,345	S	*	12/2020	Carlucci	D28/53
D922,684	S	*	6/2021	Sikora	D28/54
D927,782	S	*	8/2021	Mehta	D28/51
11,104,017	B2	*	8/2021	Carlucci	B26B 19/063
D930,245	S	*	9/2021	de Belizal	D28/53

* cited by examiner

Primary Examiner — Khawaja Anwar

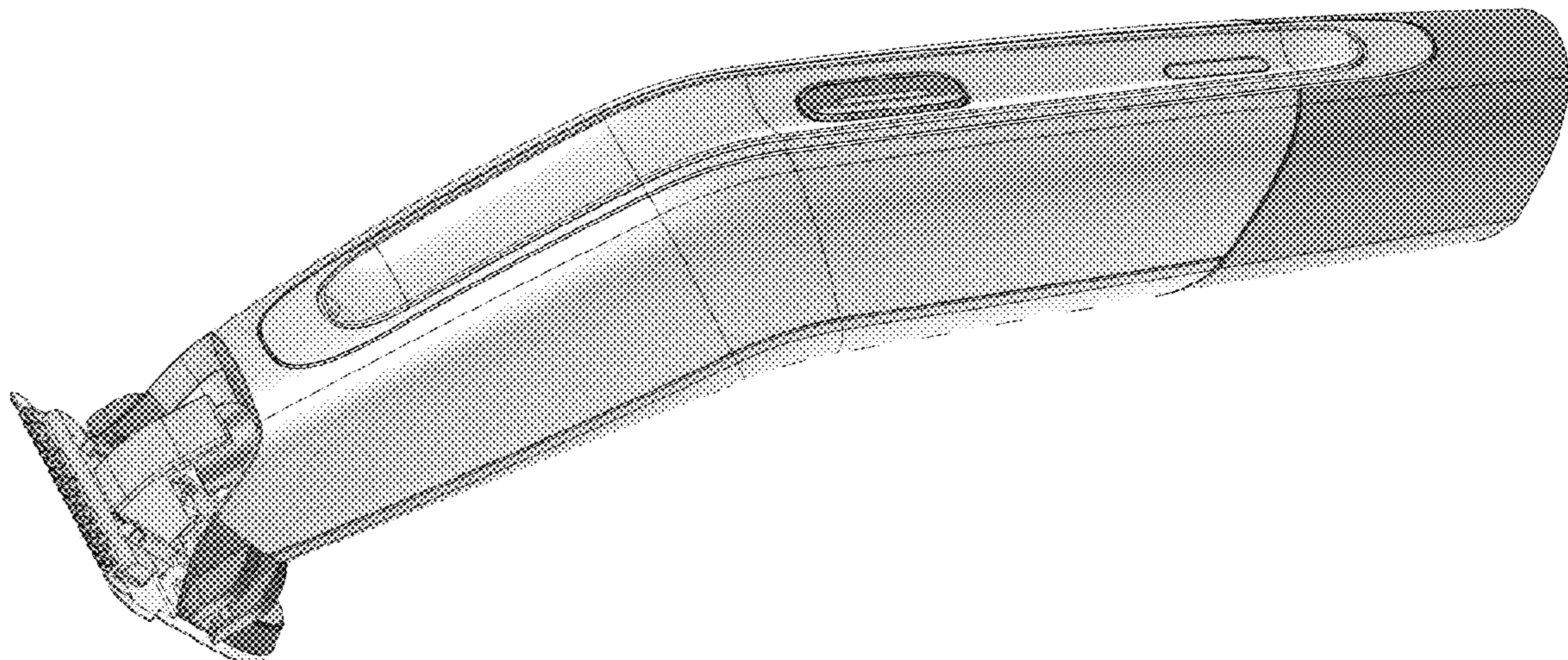
(57) **CLAIM**

The ornamental design beard trimmer, as shown and described.

DESCRIPTION

Figure 7.1 is a perspective view of a beard trimmer showing our new design;
Figure 7.2 is a rear view thereof;
Figure 7.3 is a bottom view thereof;
Figure 7.4 is a front elevational view thereof;
Figure 7.5 is a left side elevational view; the right elevational view being a mirror image thereof; and
Figure 7.6 is a top plan view thereof.

1 Claim, 6 Drawing Sheets



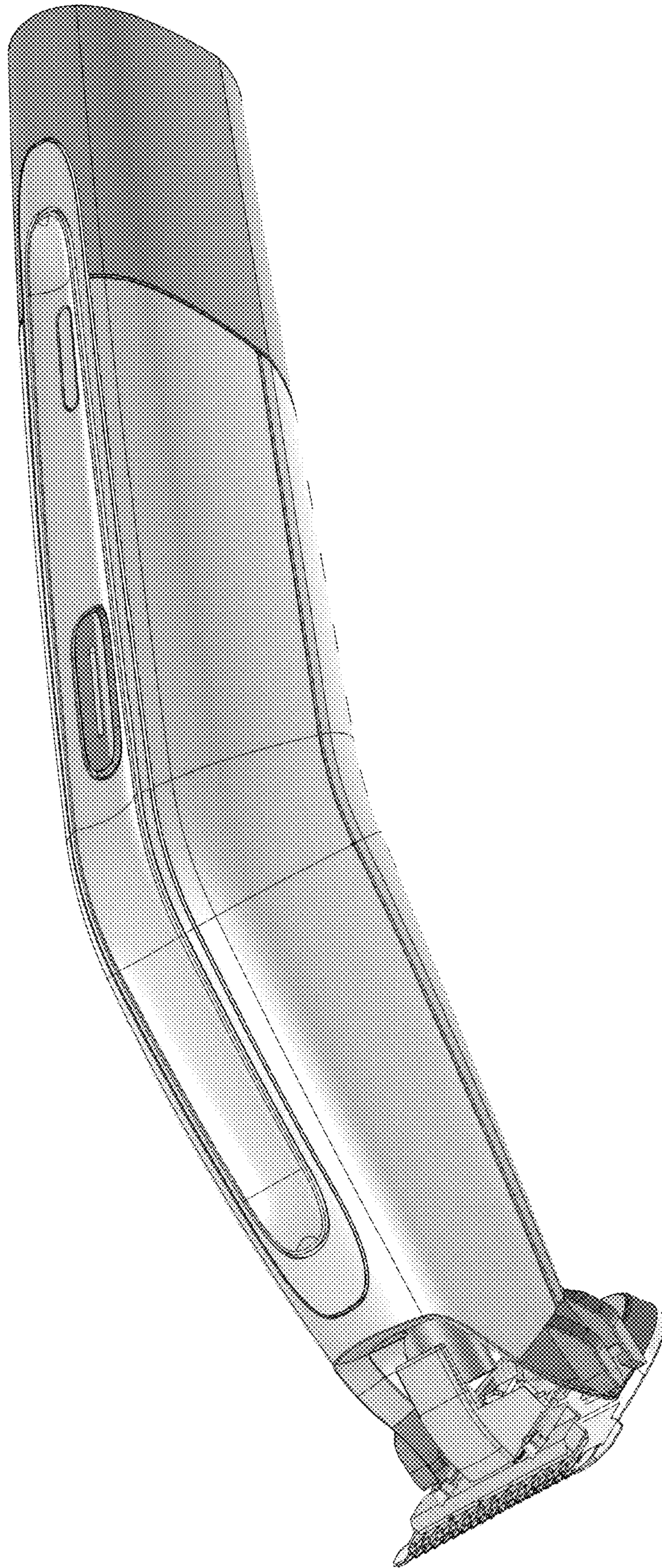


FIG. 7.1

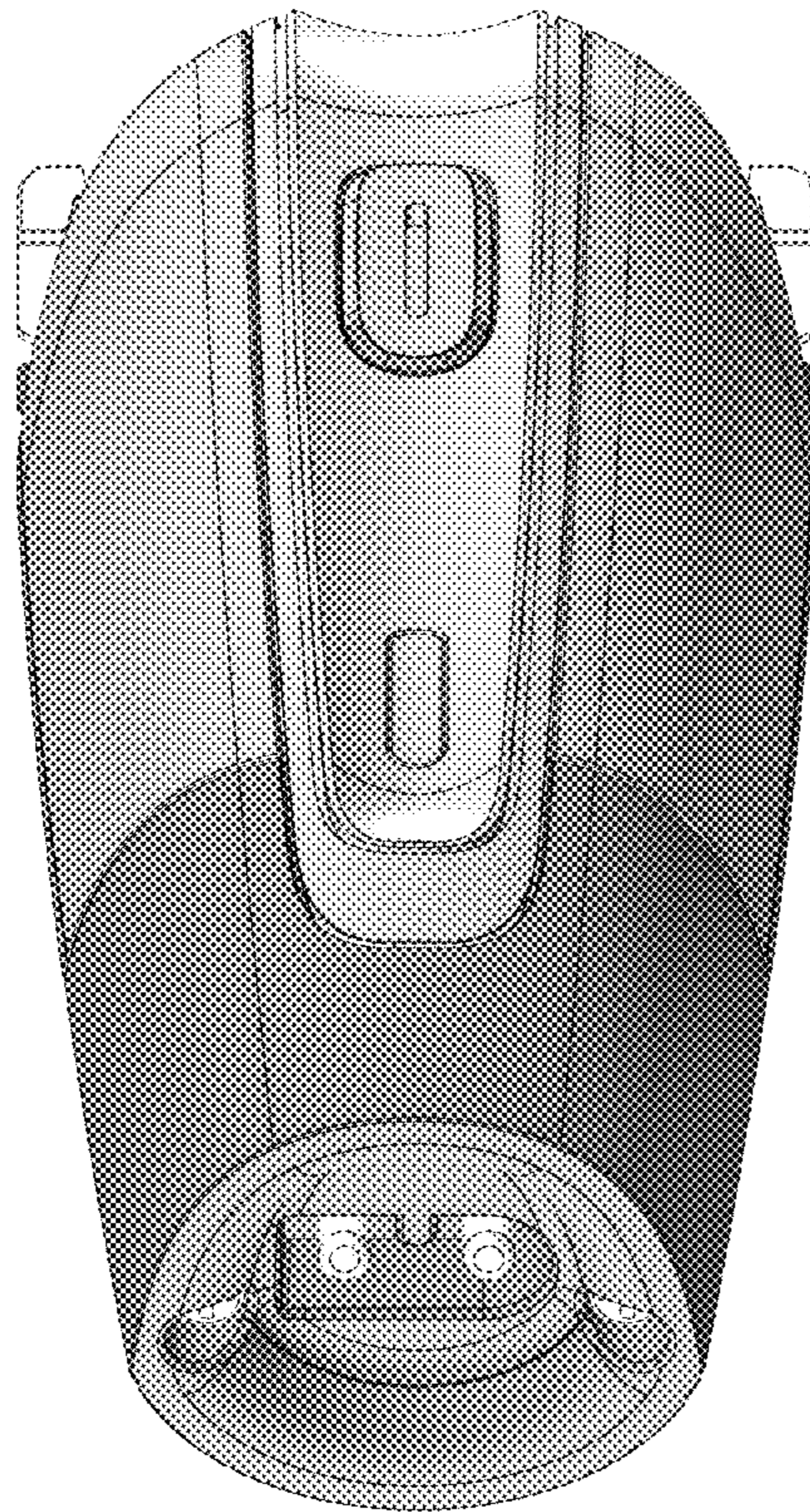


FIG. 7.2

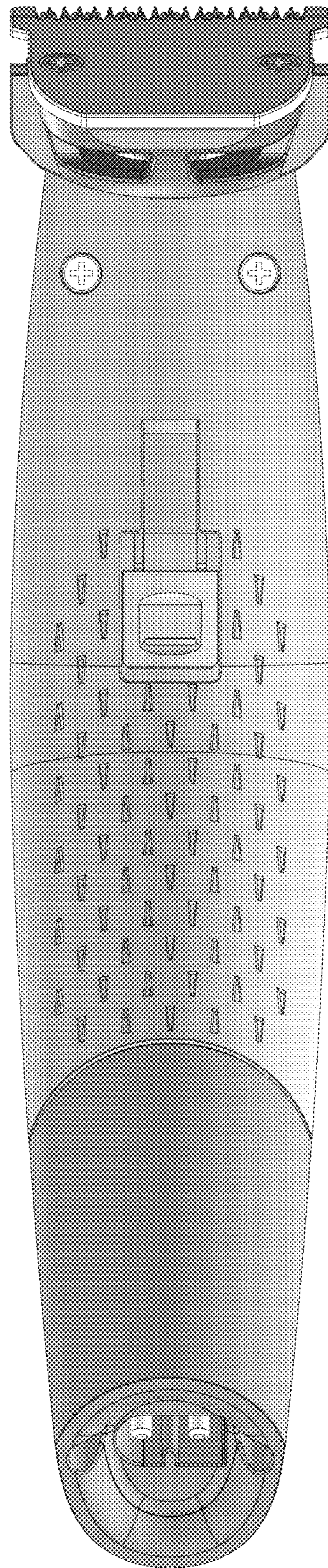


FIG. 7.3

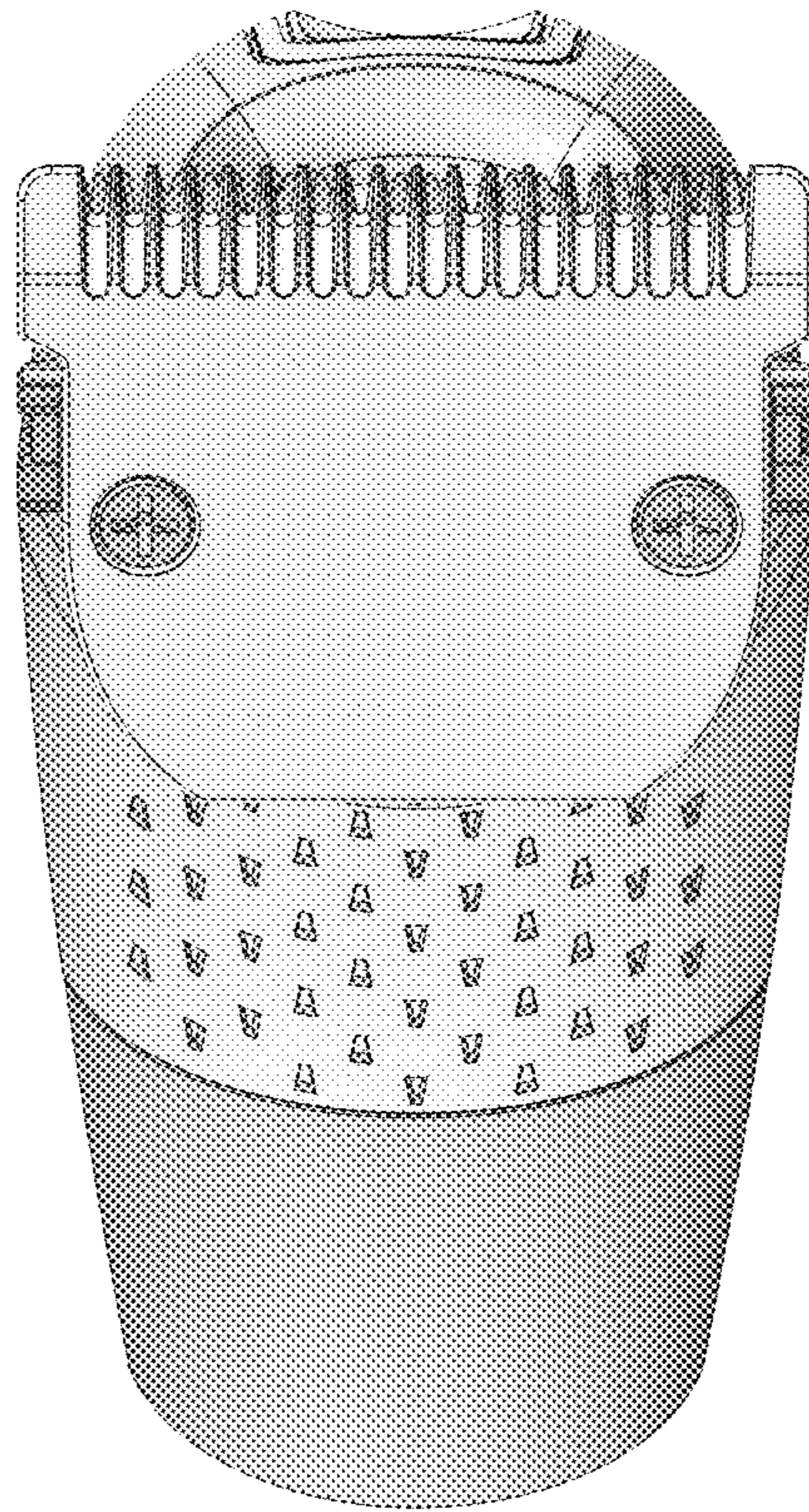


FIG. 7.4

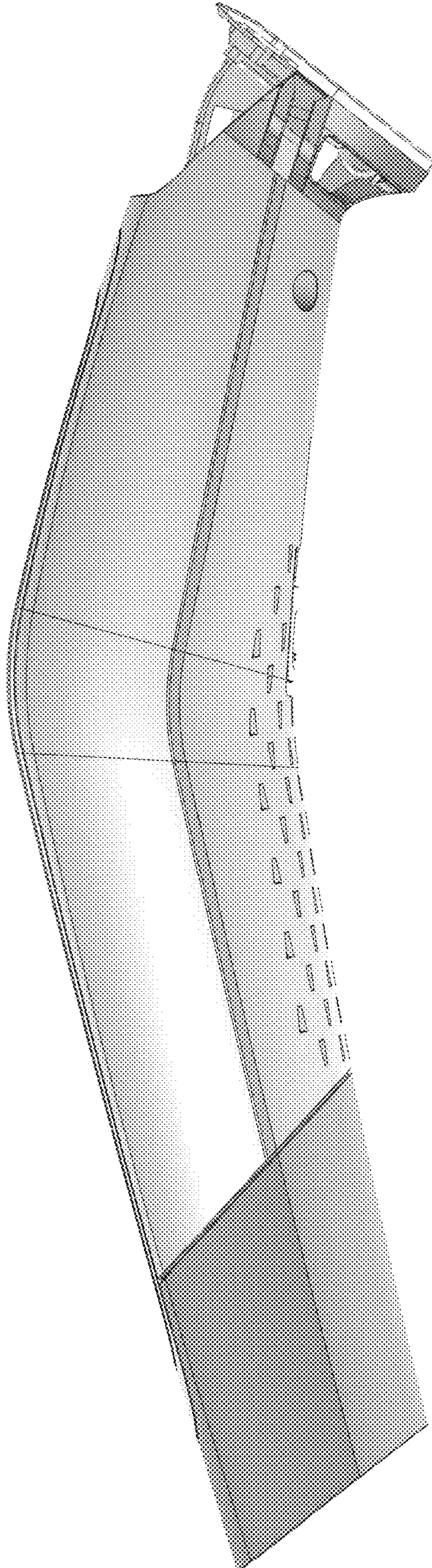


FIG. 7.5

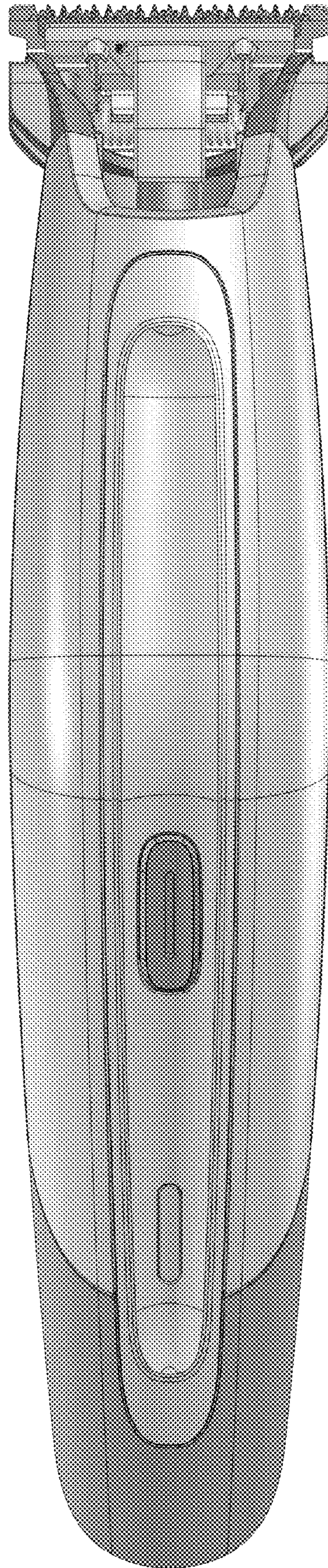


FIG. 7.6