



US00D955050S

(12) **United States Design Patent** (10) **Patent No.:** **US D955,050 S**
Cai (45) **Date of Patent:** **** Jun. 14, 2022**

(54) **HAIR CLIPPER**

(71) Applicant: **Yuye Cai**, Zhejiang (CN)

(72) Inventor: **Yuye Cai**, Zhejiang (CN)

(**) Term: **15 Years**

(21) Appl. No.: **29/768,909**

(22) Filed: **Feb. 2, 2021**

(51) **LOC (13) Cl.** **28-03**

(52) **U.S. Cl.**
USPC **D28/53**

(58) **Field of Classification Search**
USPC D28/49–54
CPC B26B 19/00–107; B26B 19/12; B26B
19/20–22; B26B 19/3806–3833; B26B
19/3853–3886

See application file for complete search history.

(56) **References Cited**

U.S. PATENT DOCUMENTS

D196,504 S *	10/1963	Andis	D28/53
D310,734 S *	9/1990	Gallanis	D28/53
D356,185 S *	3/1995	Rizzuto, Jr.	D28/53
D364,483 S *	11/1995	Elston	D28/53
D405,924 S *	2/1999	Lebherz	D28/53
D421,818 S *	3/2000	Mandell	D28/53
D435,694 S *	12/2000	Lebherz	D28/53
D436,229 S *	1/2001	Eguchi	D28/53
D454,980 S *	3/2002	Long	D28/53
D513,344 S *	12/2005	Choi	D28/53
D586,955 S *	2/2009	Eigenstetter	D28/53
D622,446 S *	8/2010	Hagenauer	D28/53
D655,862 S *	3/2012	Scheunert	D28/53
D681,276 S *	4/2013	Colle	D28/53
D895,209 S	9/2020	Lambrecht	
D905,909 S	12/2020	Wang	
D908,962 S *	1/2021	Tran	D28/51
D919,183 S *	5/2021	Jiang	D28/53

OTHER PUBLICATIONS

Manscaped Hair Trimmer, www.amazon.com, 1 page, available as Jan. 2020 https://www.amazon.com/Manscaped-Electric-Manscaping-Replaceable-Waterproof/dp/B082T46XCF/ref=sr_1_6?keywords=manscape&qid=1637170551&qsid=146-1220504-4577006&sr=8-6&sres=B08ZYYQ8S9%2CB082T46XCF%2CB099BLC99J%2CB0997VV6D7%2CB08GNSJZX2%2.*

* cited by examiner

Primary Examiner — Jennifer Rivard

(74) *Attorney, Agent, or Firm* — ScienBiziP, P.C.

(57) **CLAIM**

The ornamental design for a hair clipper, as shown and described.

DESCRIPTION

FIG. 1 is a front, left, and top perspective view of a hair clipper, showing my design.

FIG. 2 is a rear, right, and bottom perspective view thereof.

FIG. 3 is a front elevation view thereof.

FIG. 4 is a rear elevation view thereof.

FIG. 5 is a left side elevation view thereof.

FIG. 6 is a right side elevation view thereof.

FIG. 7 is a top plan view thereof.

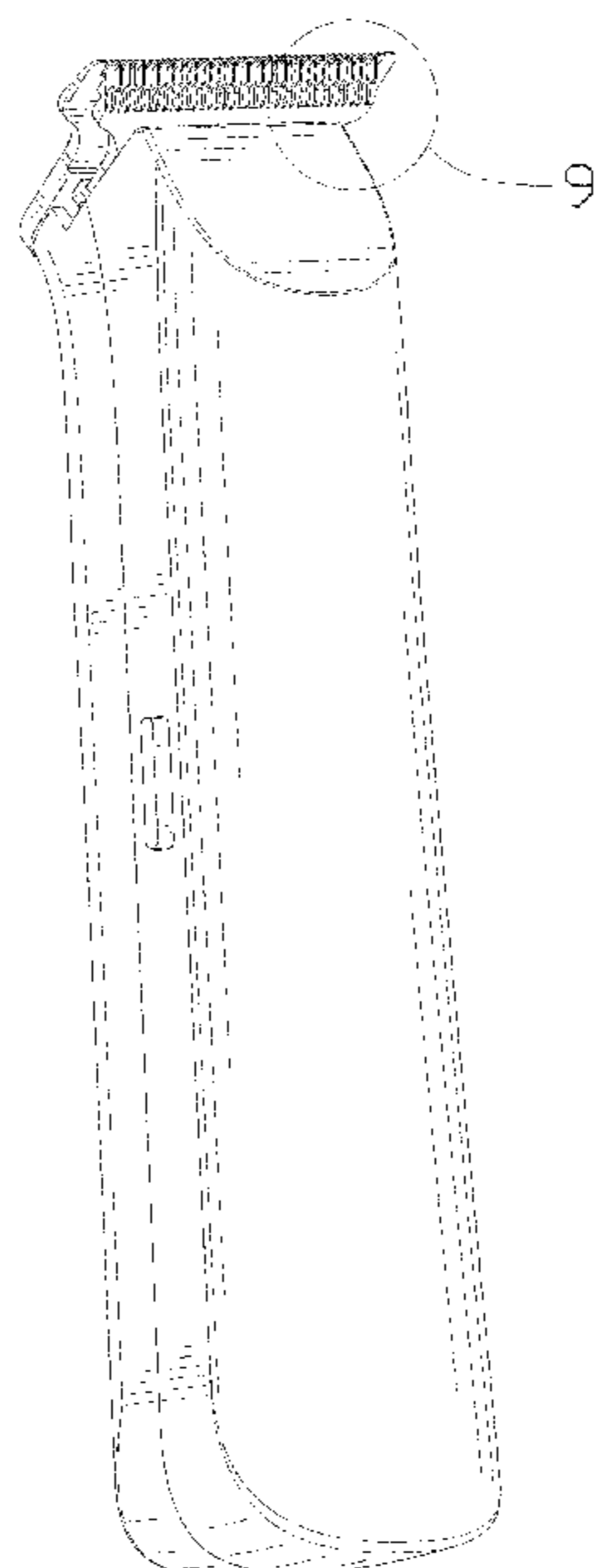
FIG. 8 is a bottom plan view thereof.

FIG. 9 is a partial enlarged view of an area labeled 9 in FIG. 1 illustrating a design of a blade of the hair clipper; and,

FIG. 10 is a partial enlarged view of an area labeled 10 in FIG. 2 illustrating the rear of the handle.

The broken lines shown in the drawings are included for the purpose of illustrating portions of the hair clipper that form no part of the claimed design.

1 Claim, 10 Drawing Sheets



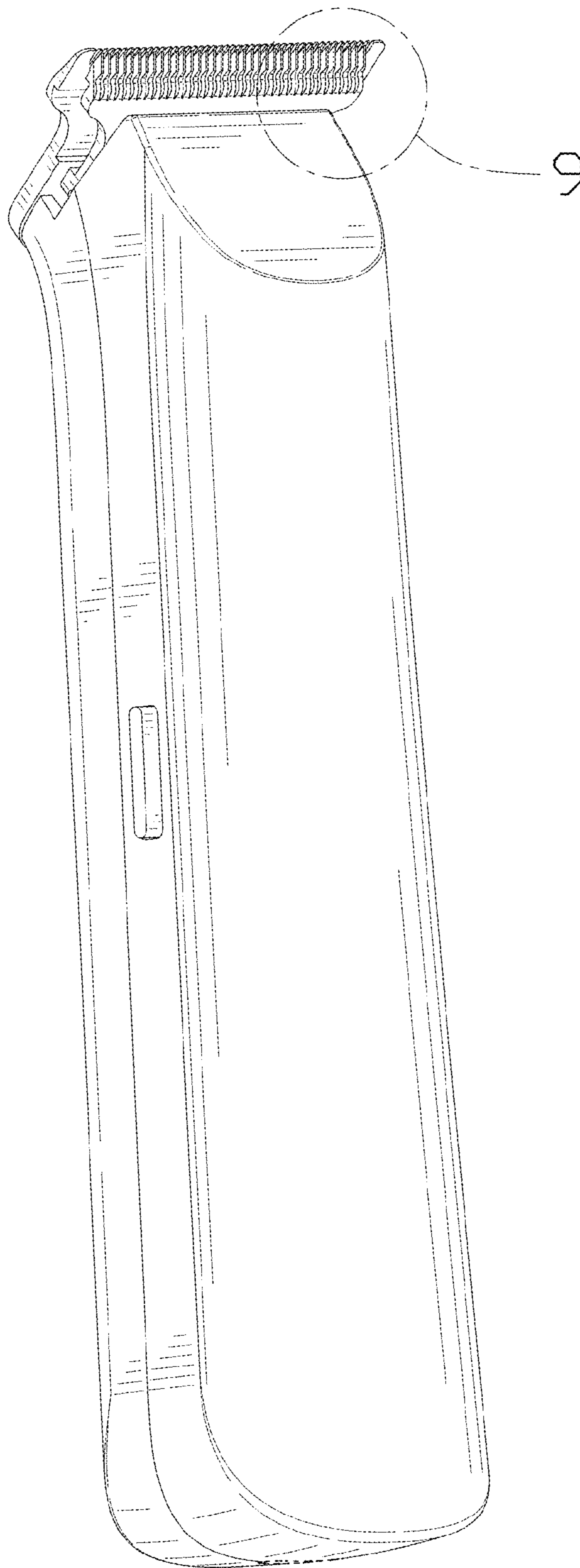


FIG. 1

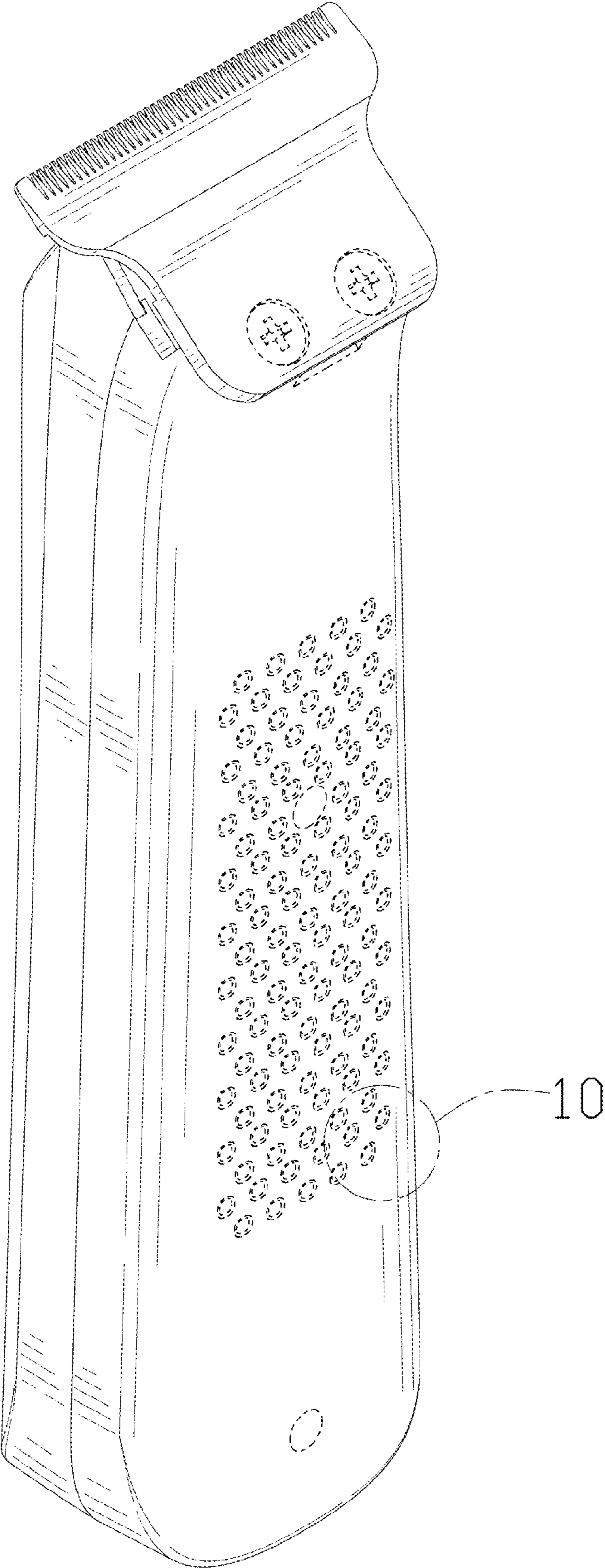


FIG. 2

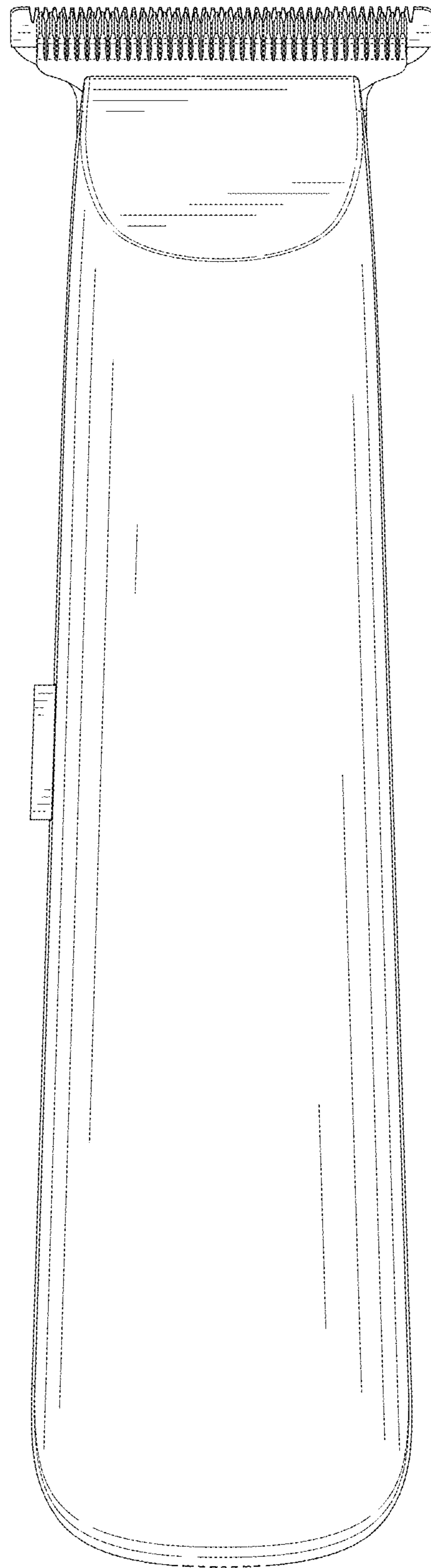


FIG. 3

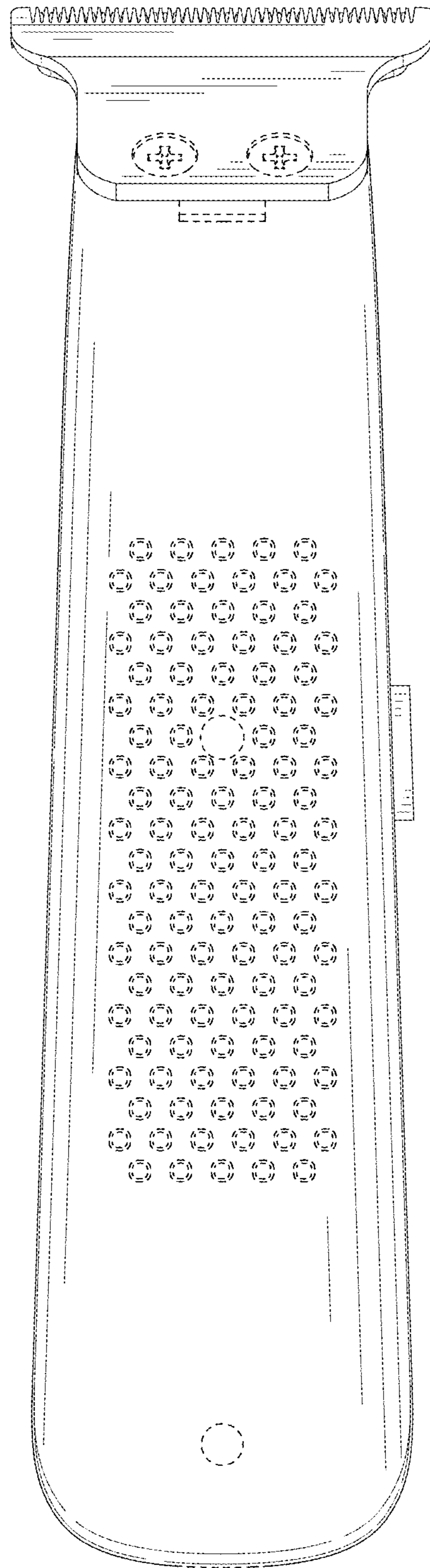


FIG. 4

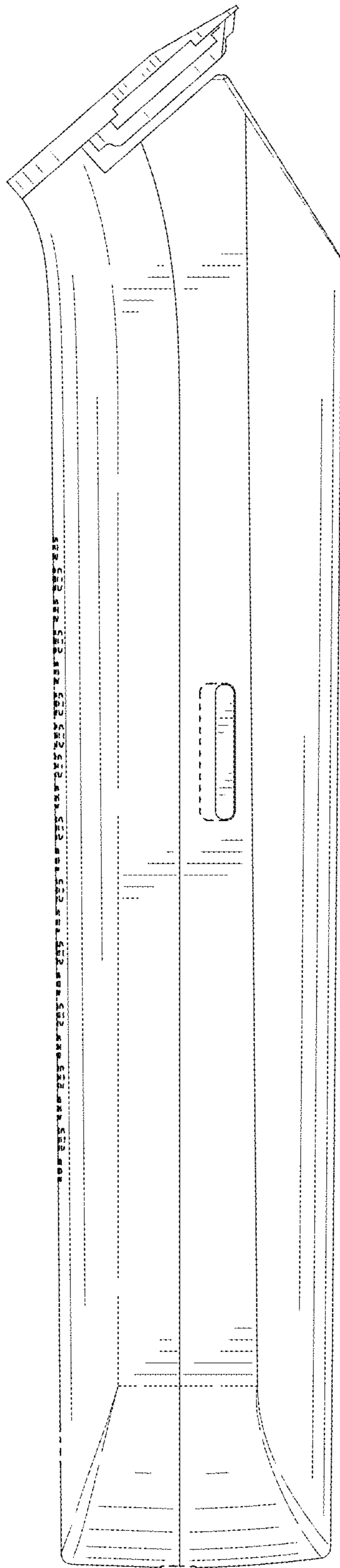


FIG. 5

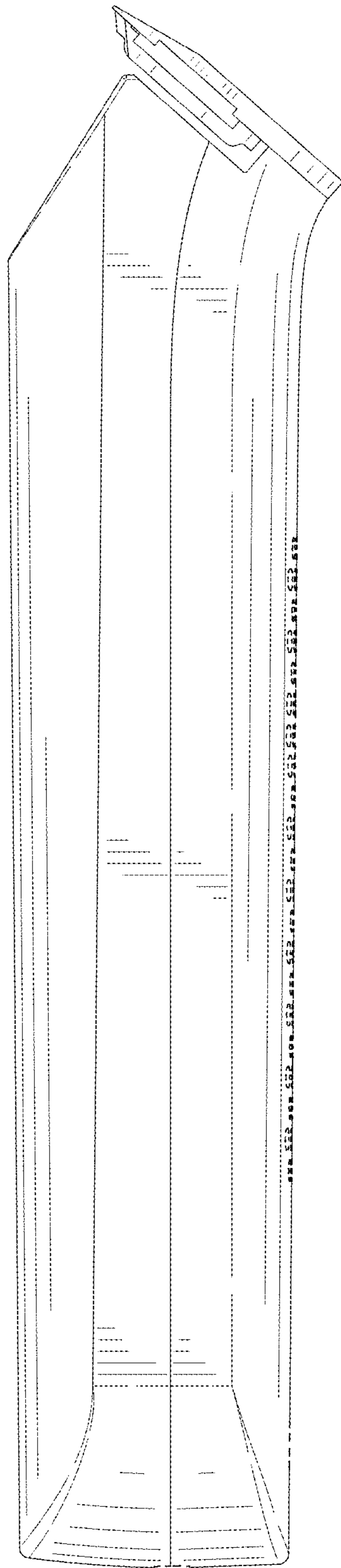


FIG. 6

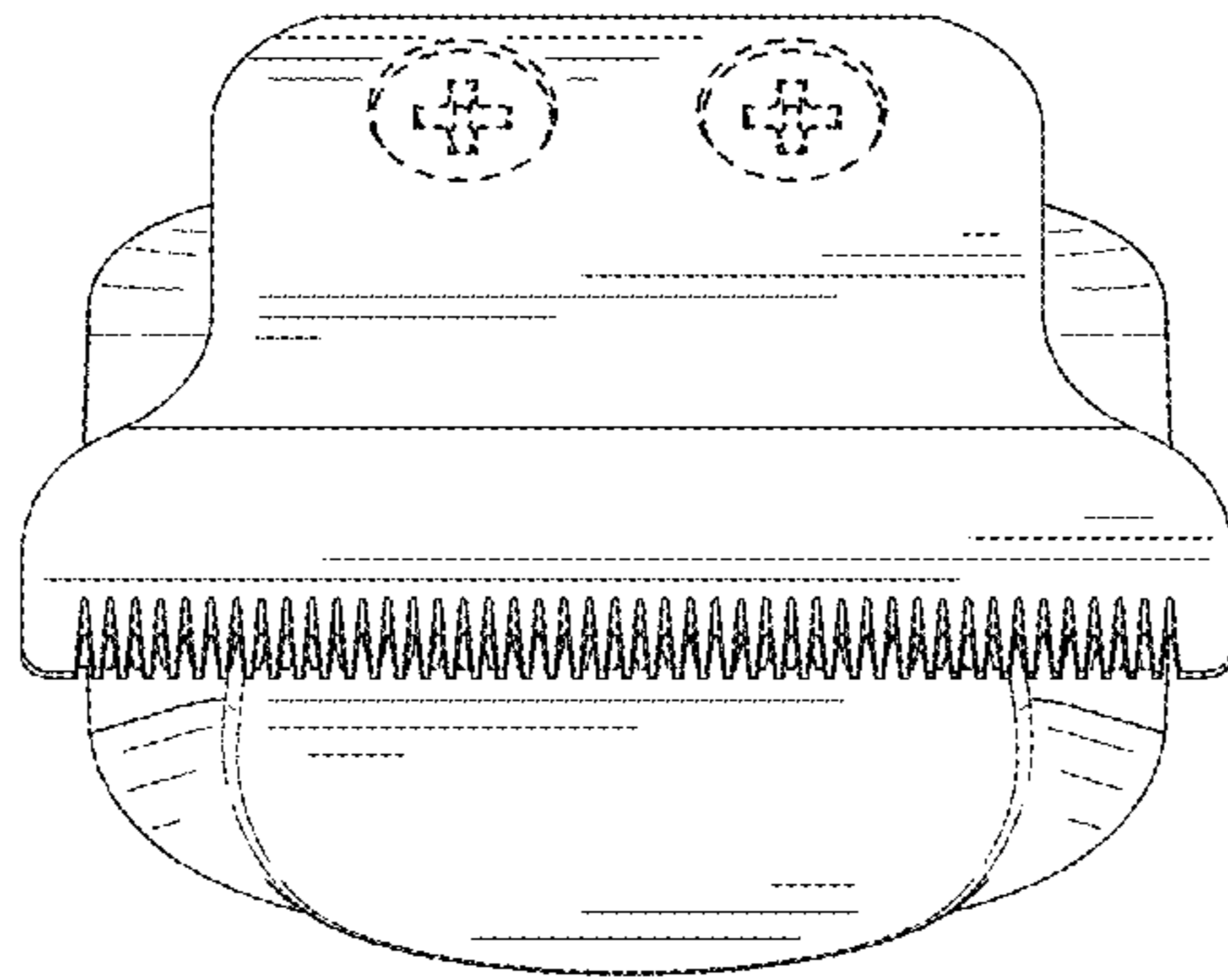


FIG. 7

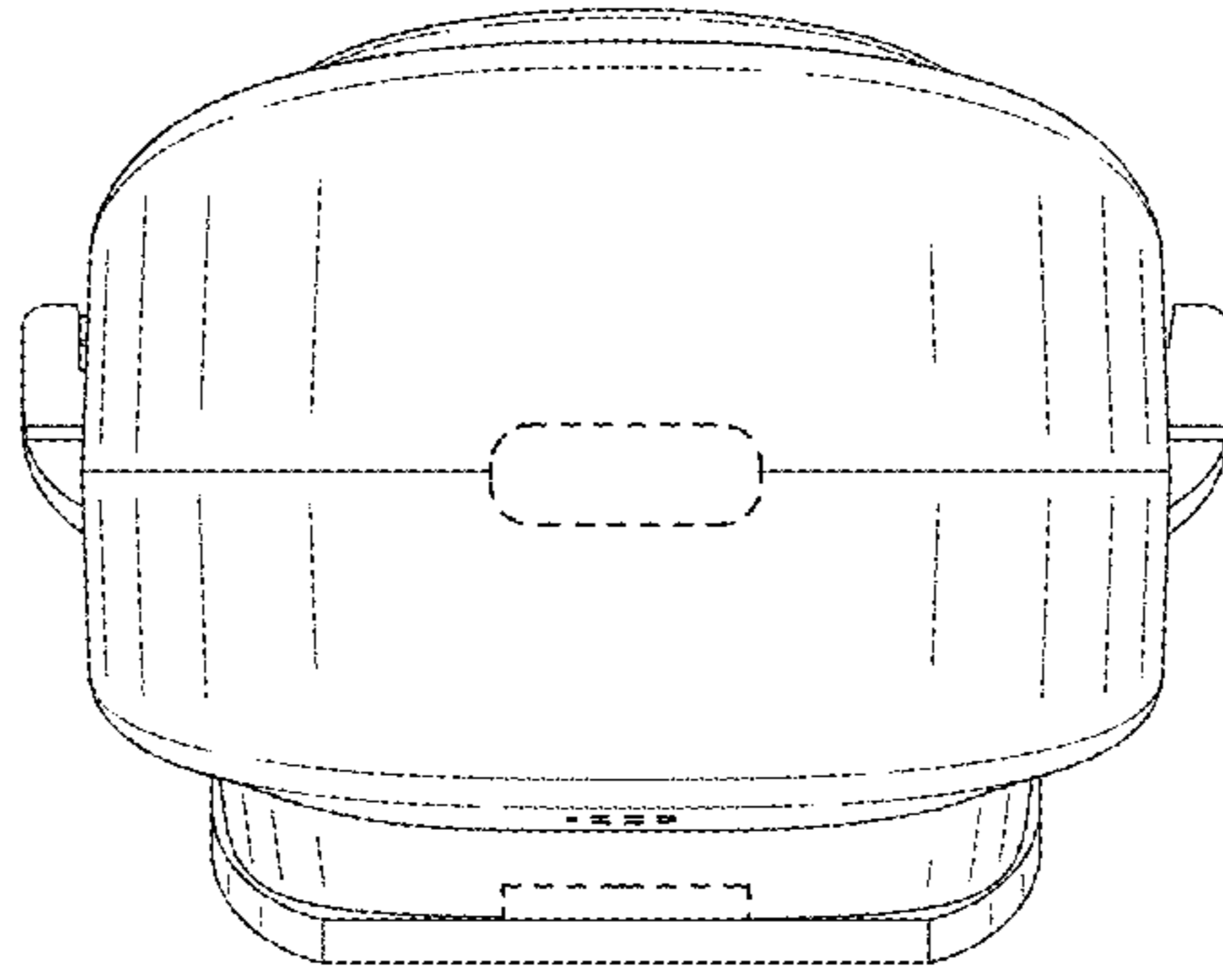


FIG. 8

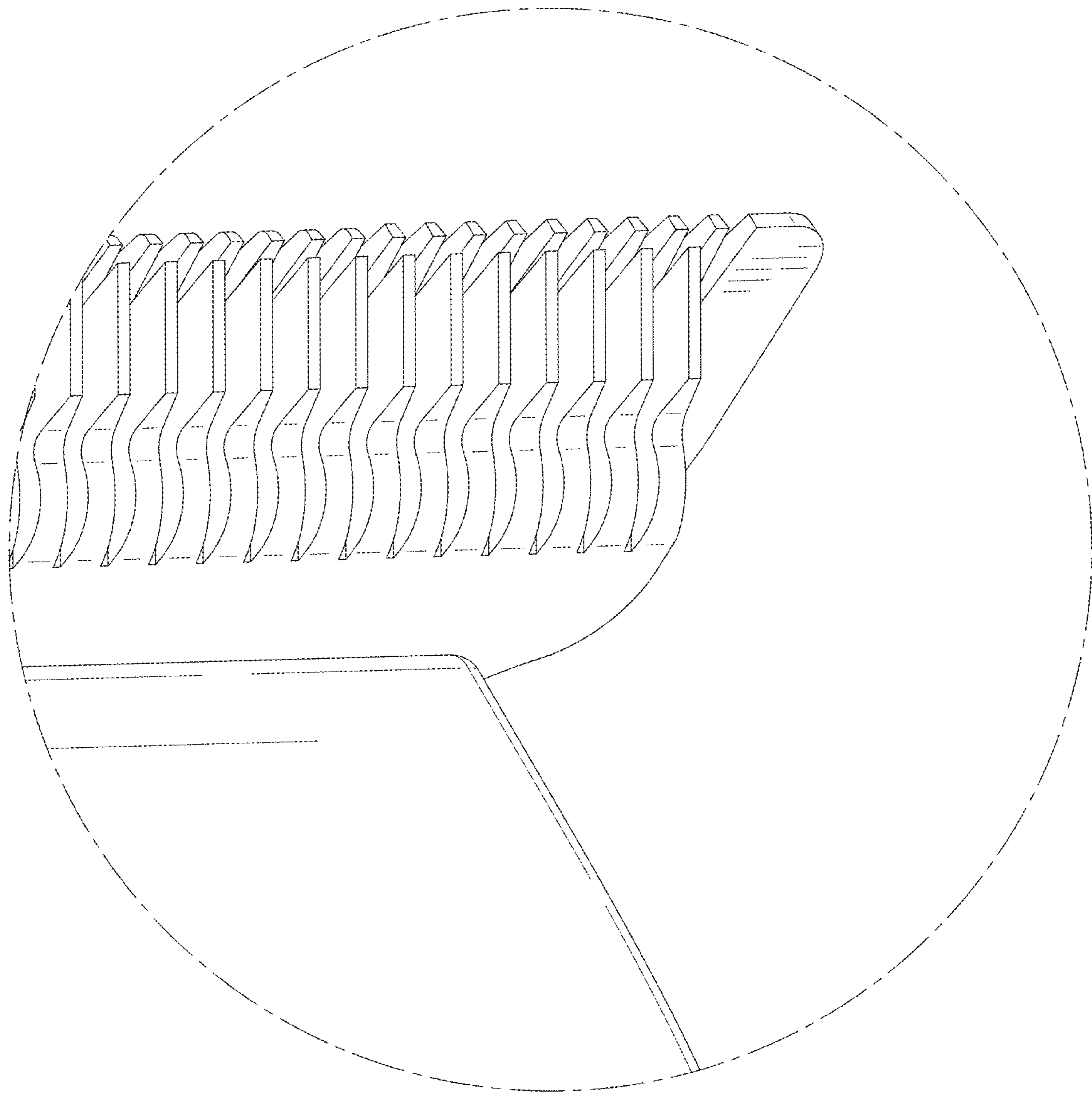


FIG. 9

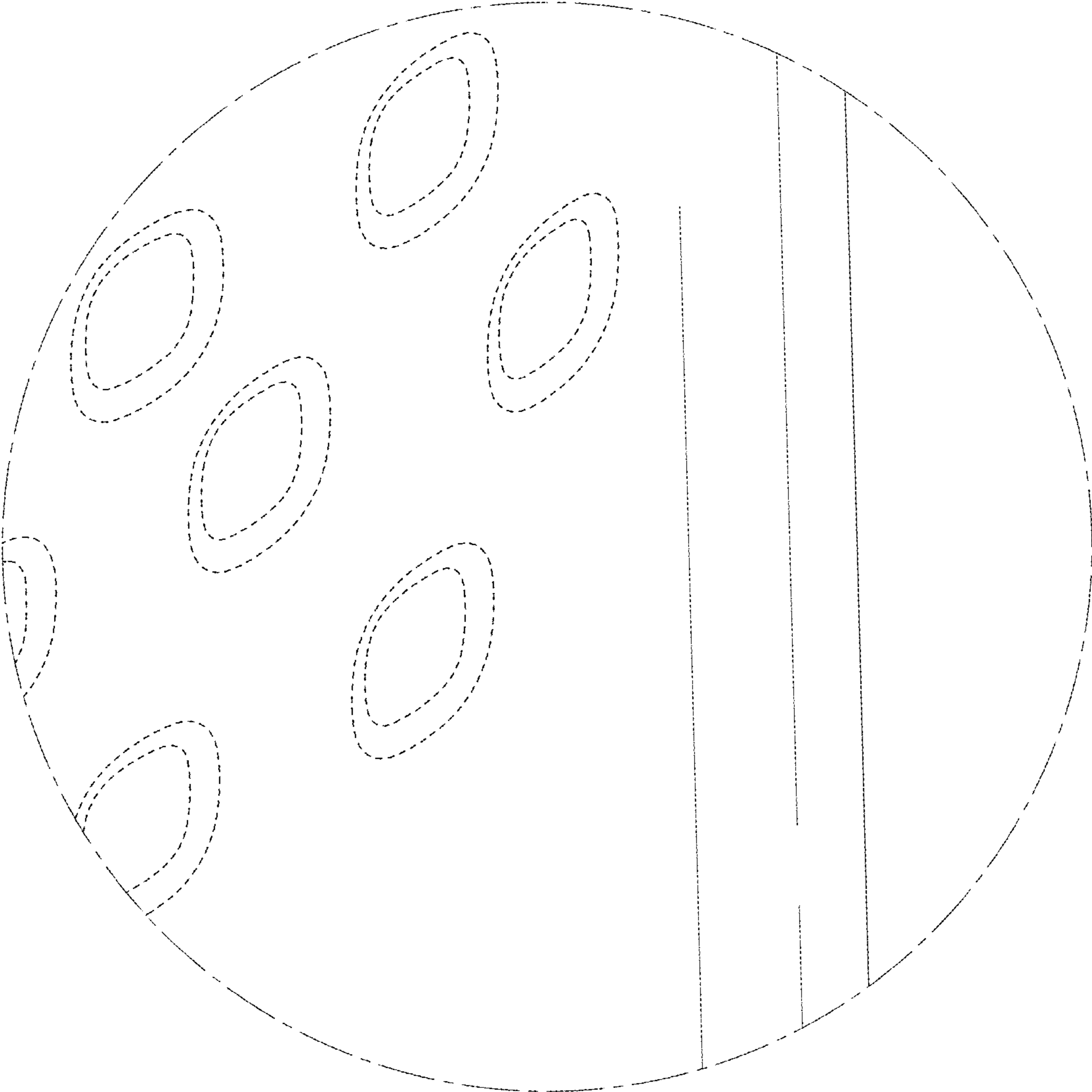


FIG. 10