



US00D955045S

(12) **United States Design Patent** (10) **Patent No.:** **US D955,045 S**
Parambathkandi Abdulhakkim et al. (45) **Date of Patent:** **** Jun. 14, 2022**

(54) **HANDLE FOR SHAVER**

Primary Examiner — Jennifer Rivard

(71) Applicant: **KONINKLIJKE PHILIPS N.V.**,
Eindhoven (NL)

(57) **CLAIM**

The ornamental design for a handle for shaver, as shown and described.

(72) Inventors: **Roshan Ali Hakkim Parambathkandi Abdulhakkim**, Utrecht (NL); **Roeland Gerard Krooshof**, Bilthoven (NL)

DESCRIPTION

(73) Assignee: **KONINKLIJKE PHILIPS N.V.**,
Eindhoven (NL)

(**) Term: **15 Years**

(21) Appl. No.: **29/706,301**

(22) Filed: **Sep. 19, 2019**

(30) **Foreign Application Priority Data**

Mar. 21, 2019 (EM) 006317418-0008

(51) **LOC (13) Cl.** **28-03**

(52) **U.S. Cl.**
USPC **D28/50; D28/54**

(58) **Field of Classification Search**
USPC D28/49–54
CPC B26B 19/14–18; B26B 19/38; B26B
19/3853–3893; B26B 19/3806–384
See application file for complete search history.

(56) **References Cited**

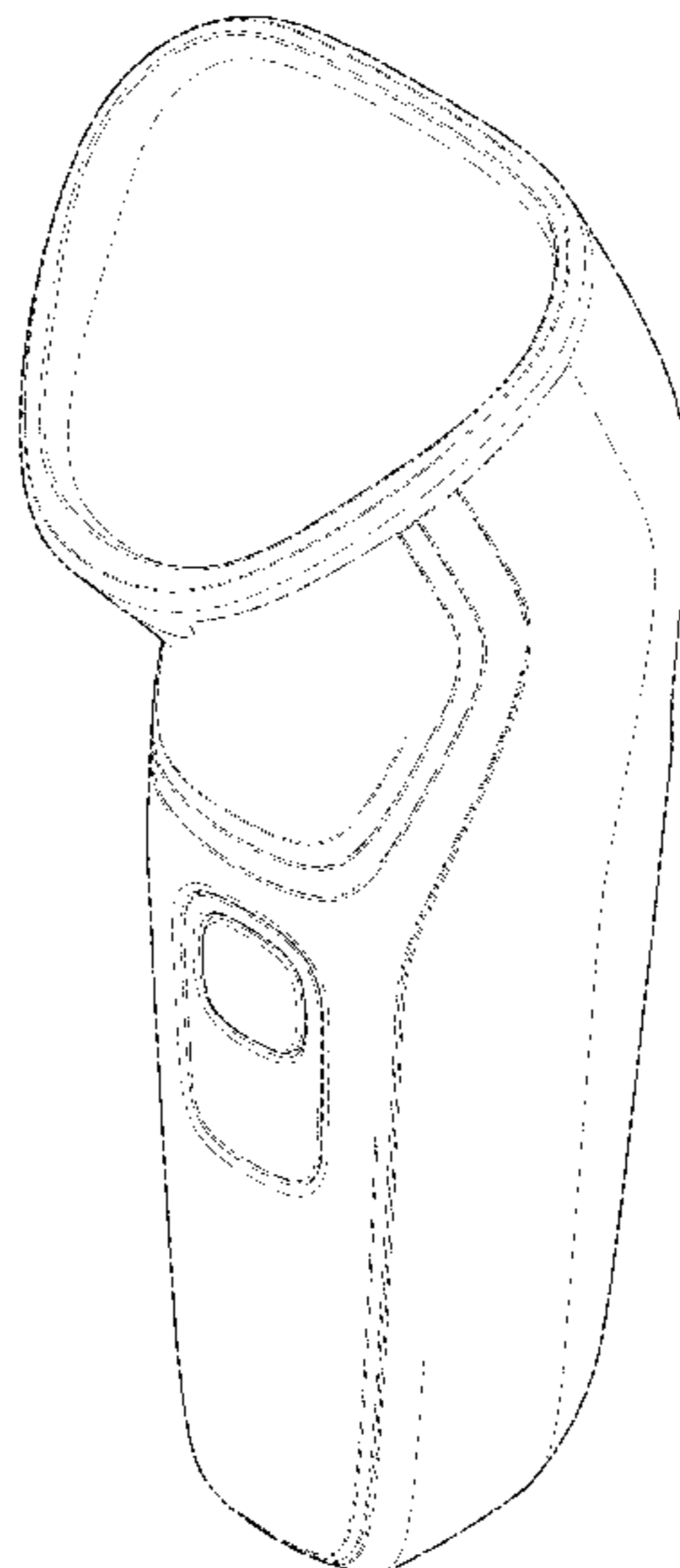
U.S. PATENT DOCUMENTS

D367,944 S *	3/1996	Izumi	D28/50
D383,566 S *	9/1997	Bone	D28/50
D389,273 S *	1/1998	Bone	D28/50
D389,276 S *	1/1998	Bone	D28/50
D405,922 S *	2/1999	Bone	D28/50
D698,491 S *	1/2014	Ellison	D28/50
D748,857 S *	2/2016	Boulangier	D28/50

(Continued)

FIG. 1 is a perspective view showing the first embodiment of our design;
 FIG. 2 is a front elevational view thereof;
 FIG. 3 is a rear elevational view thereof;
 FIG. 4 is a right side elevational view thereof;
 FIG. 5 is a left side elevational view thereof;
 FIG. 6 is a top plan view thereof;
 FIG. 7 is a bottom plan view thereof;
 FIG. 8 is a perspective view showing the second embodiment of our design;
 FIG. 9 is a front elevational view thereof;
 FIG. 10 is a rear elevational view thereof;
 FIG. 11 is a right side elevational view thereof;
 FIG. 12 is a left side elevational view thereof;
 FIG. 13 is a top plan view thereof;
 FIG. 14 is a bottom plan view thereof;
 FIG. 15 is a perspective view showing the third embodiment of our design;
 FIG. 16 is a front elevational view thereof;
 FIG. 17 is a rear elevational view thereof;
 FIG. 18 is a right side elevational view thereof;
 FIG. 19 is a left side elevational view thereof;
 FIG. 20 is a top plan view thereof;
 FIG. 21 is a bottom plan view thereof;
 FIG. 22 is a perspective view showing the fourth embodiment of our design;
 FIG. 23 is a front elevational view thereof;
 FIG. 24 is a rear elevational view thereof;
 FIG. 25 is a right side elevational view thereof;
 FIG. 26 is a left side elevational view thereof;
 FIG. 27 is a top plan view thereof; and,
 FIG. 28 is a bottom plan view thereof.
 The broken lines illustrate a portion of the handle for shaver that forms no part of the claimed design.

1 Claim, 24 Drawing Sheets



(56)

References Cited

U.S. PATENT DOCUMENTS

D758,015 S *	5/2016	Prat-Pfister	D28/50
D758,017 S *	5/2016	Smith	D28/54
D758,659 S *	6/2016	Smith	D28/50
D776,348 S *	1/2017	Frankel	D28/50
D812,301 S *	3/2018	Yan	D28/50
D819,274 S *	5/2018	Yan	D28/50
D823,542 S *	7/2018	Yan	D28/50
D824,103 S *	7/2018	Yan	D28/50
D856,583 S *	8/2019	Chen	D28/50
D880,064 S *	3/2020	Andersson	D28/50
D912,902 S *	3/2021	Andersson	D28/50

* cited by examiner

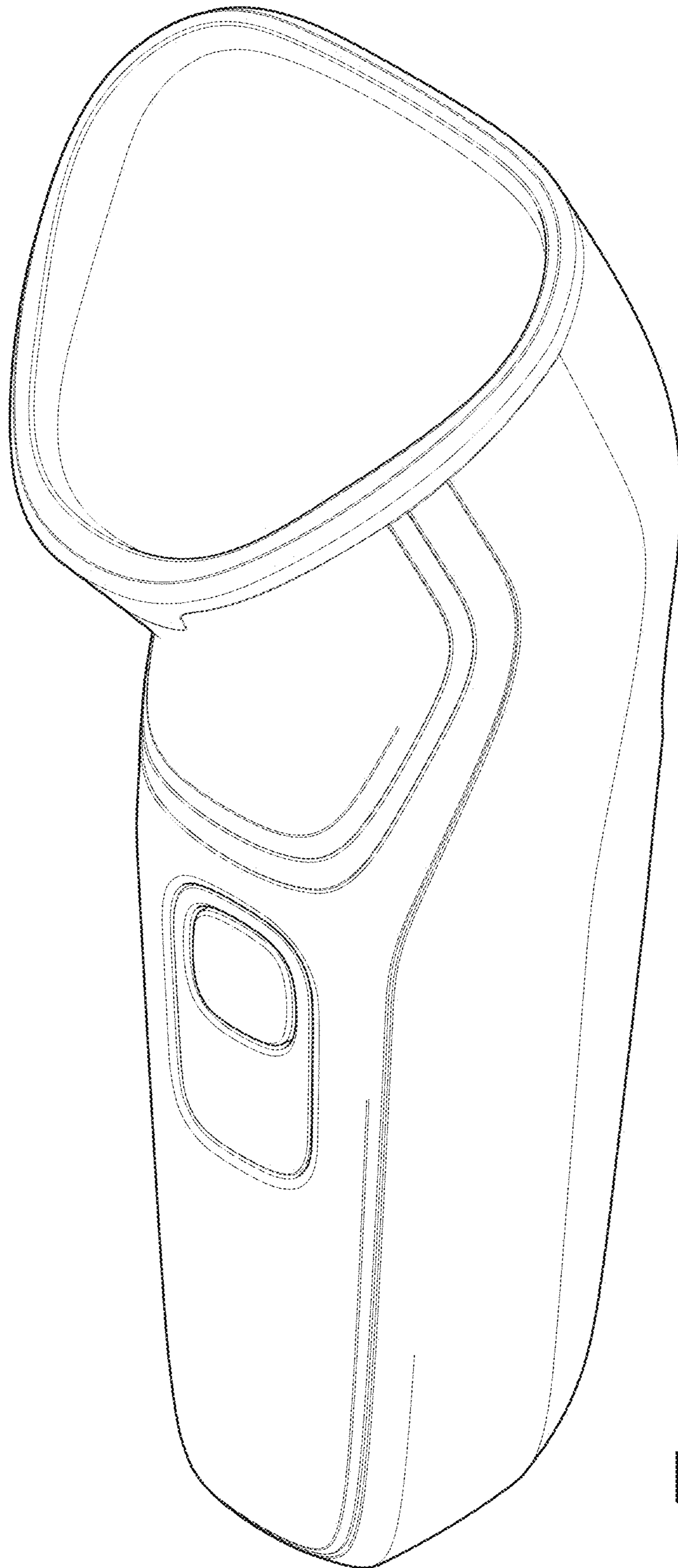


FIG. 1

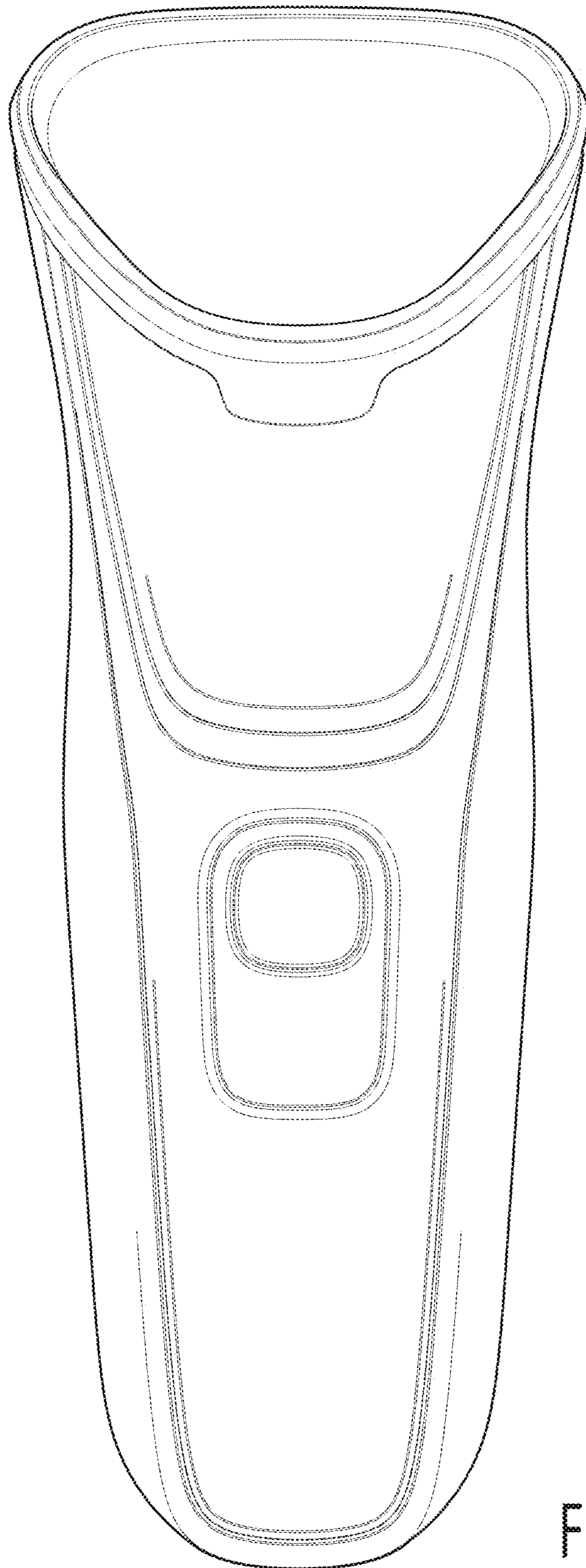


FIG. 2

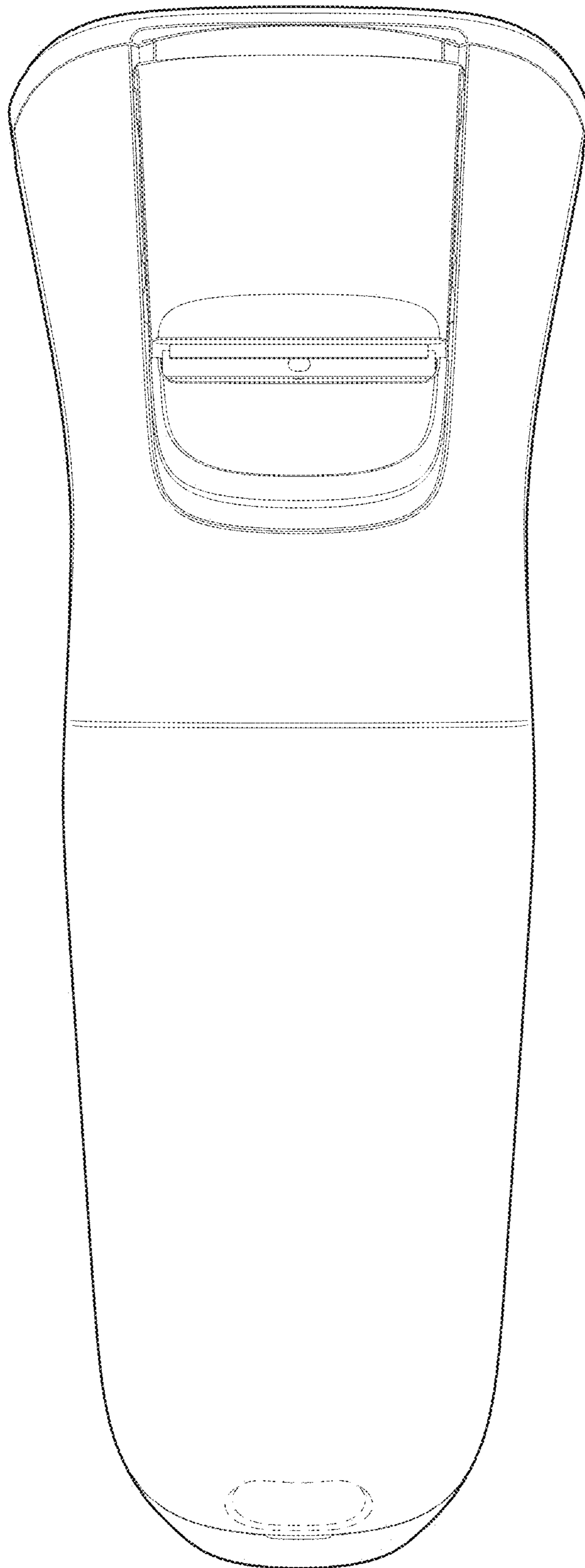


FIG. 3

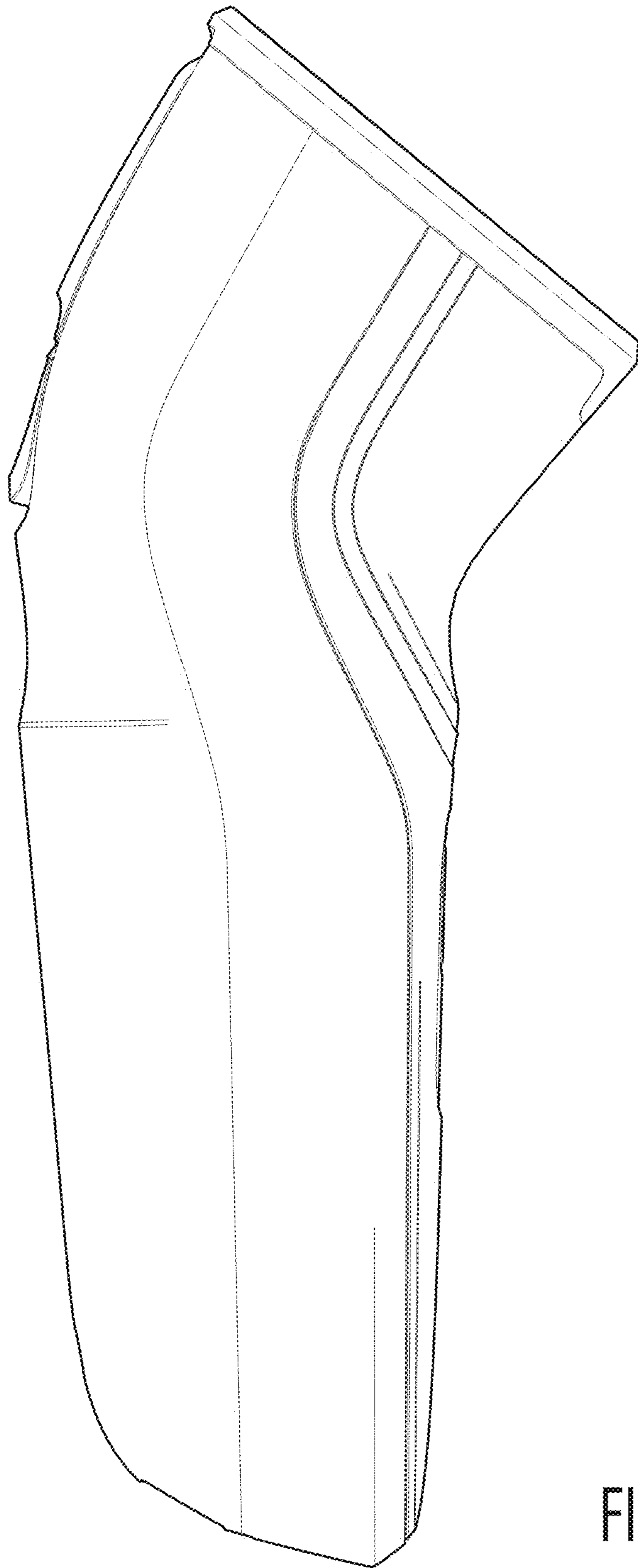


FIG. 4

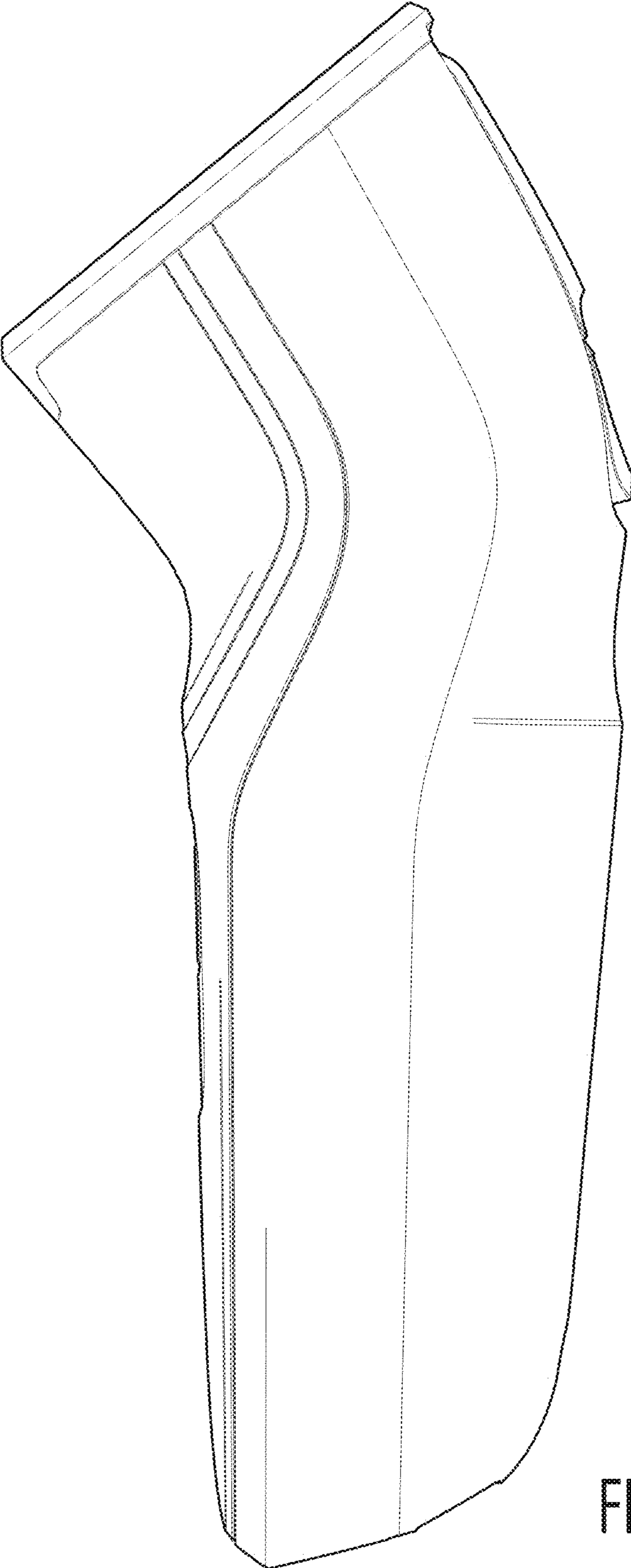


FIG. 5

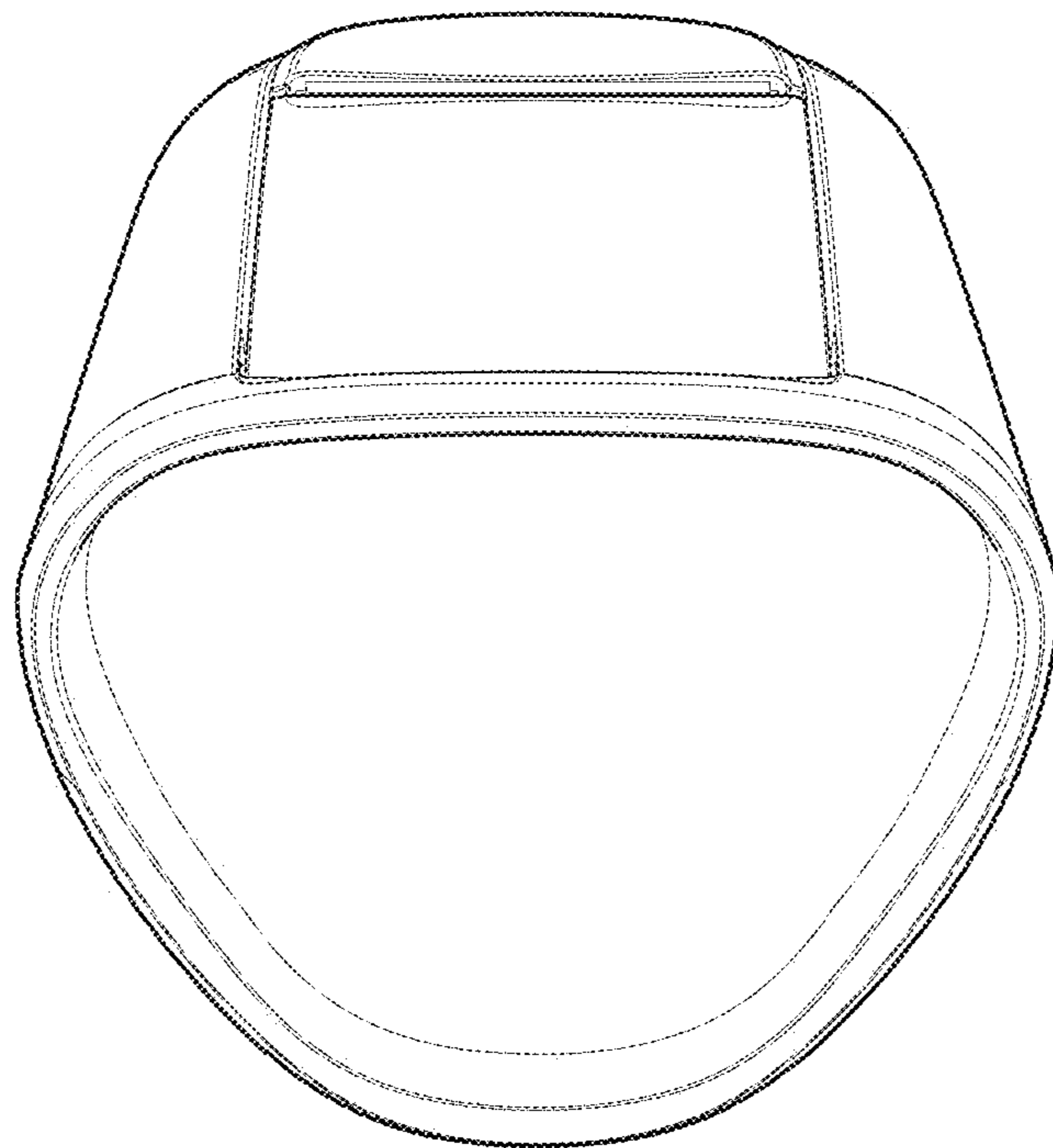


FIG. 6

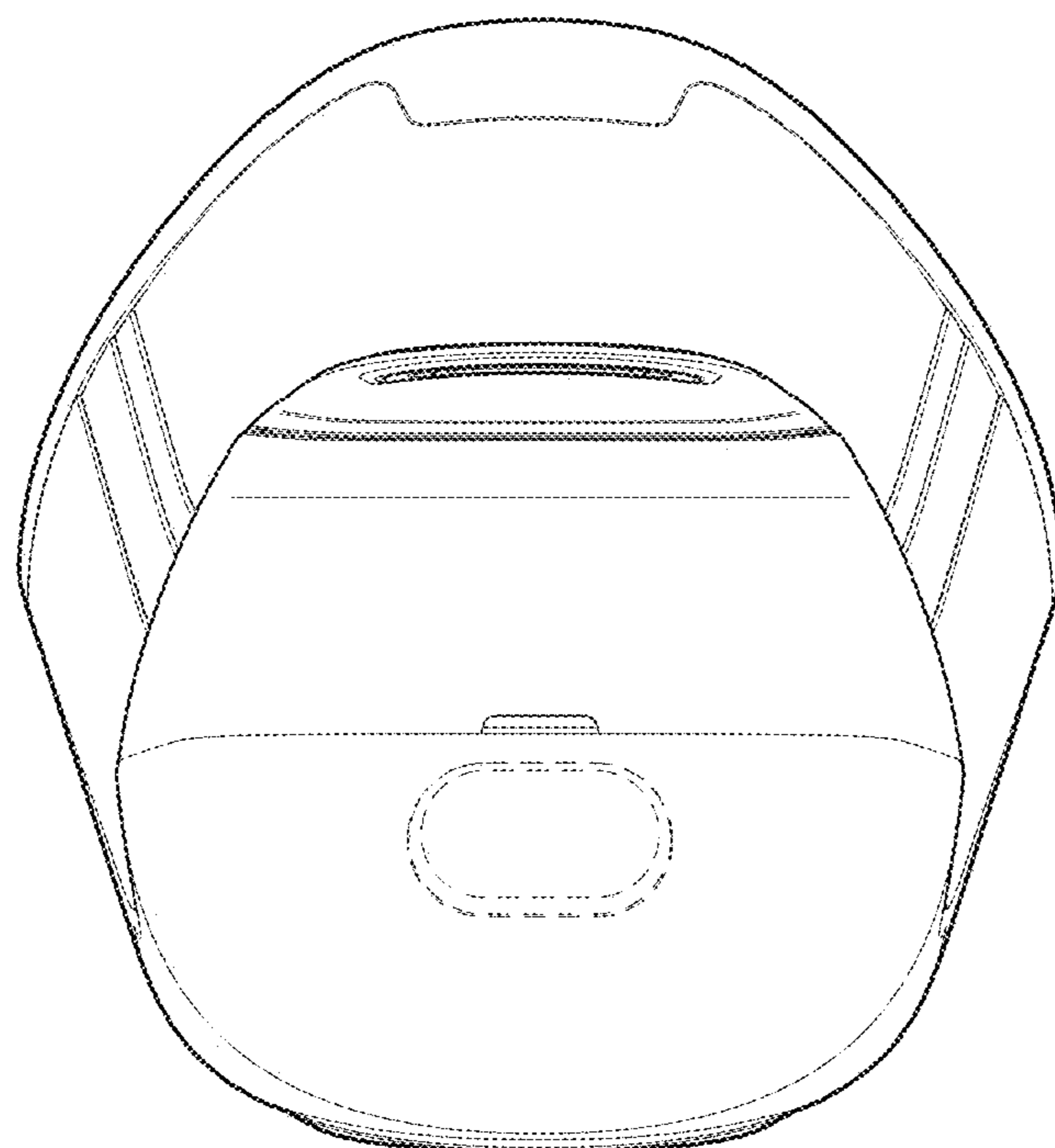


FIG. 7

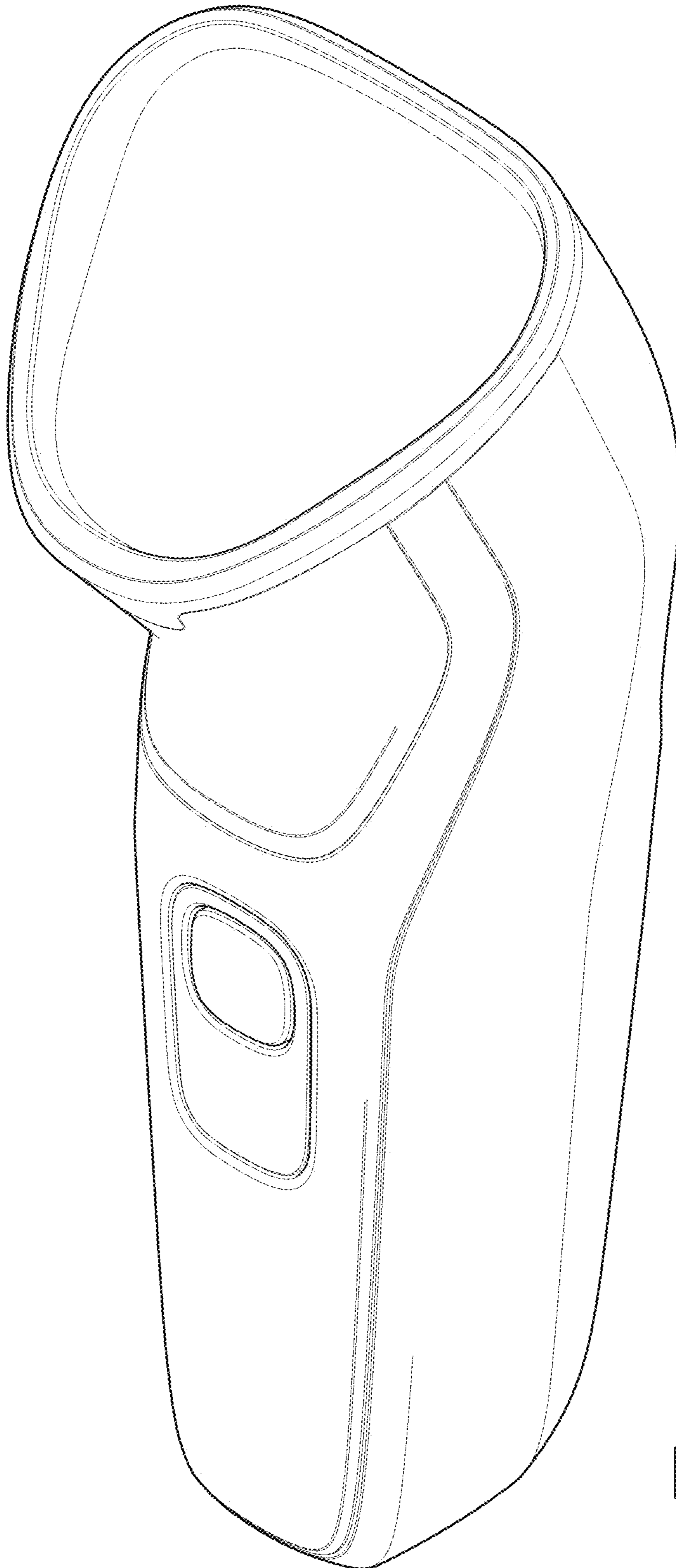


FIG. 8

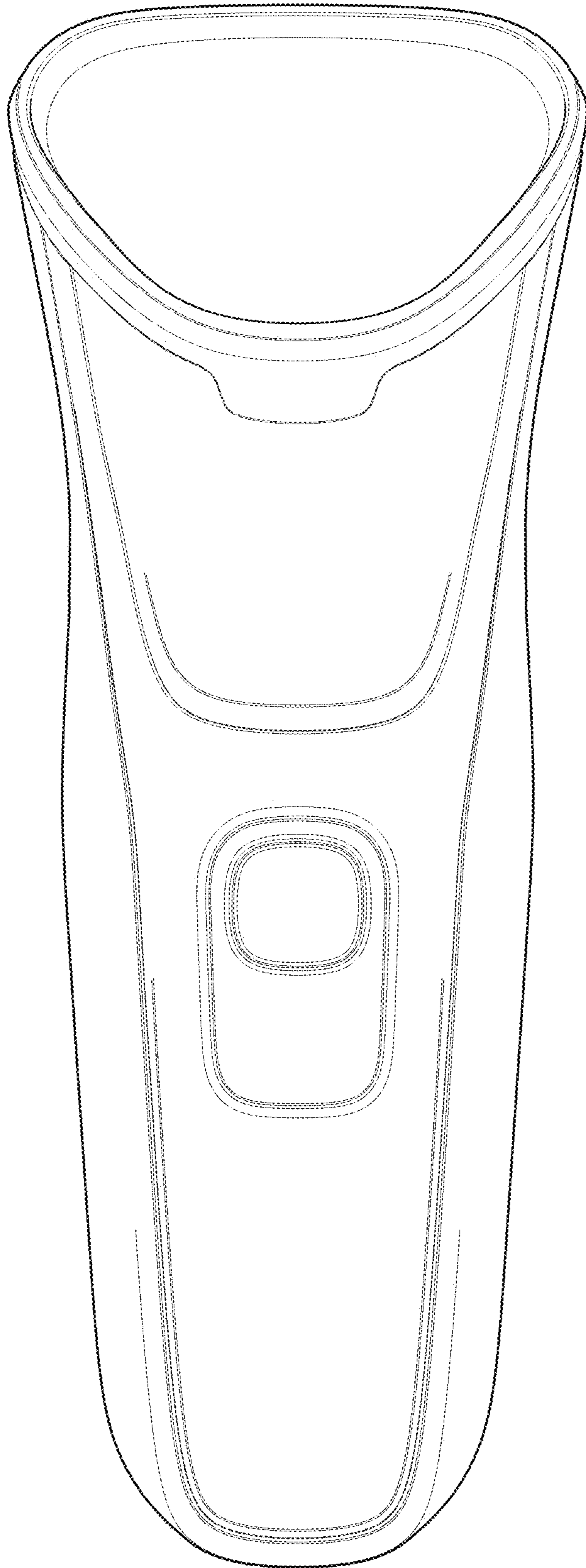


FIG. 9

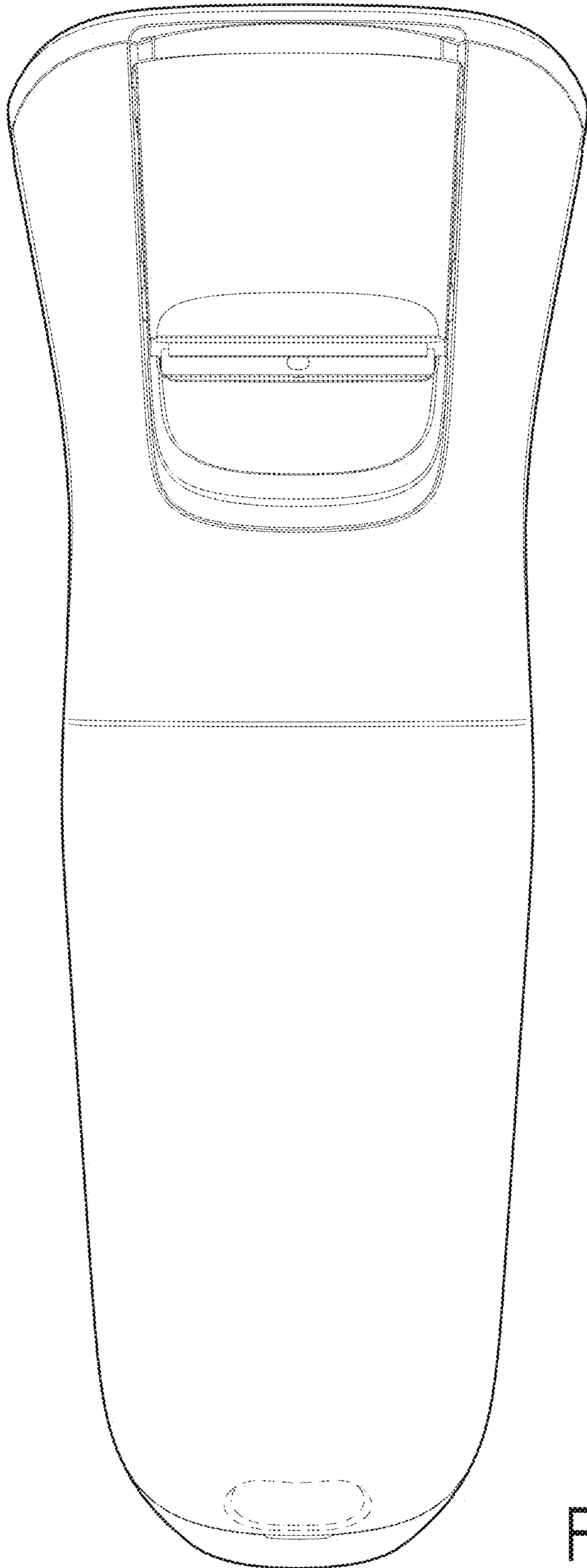


FIG. 10

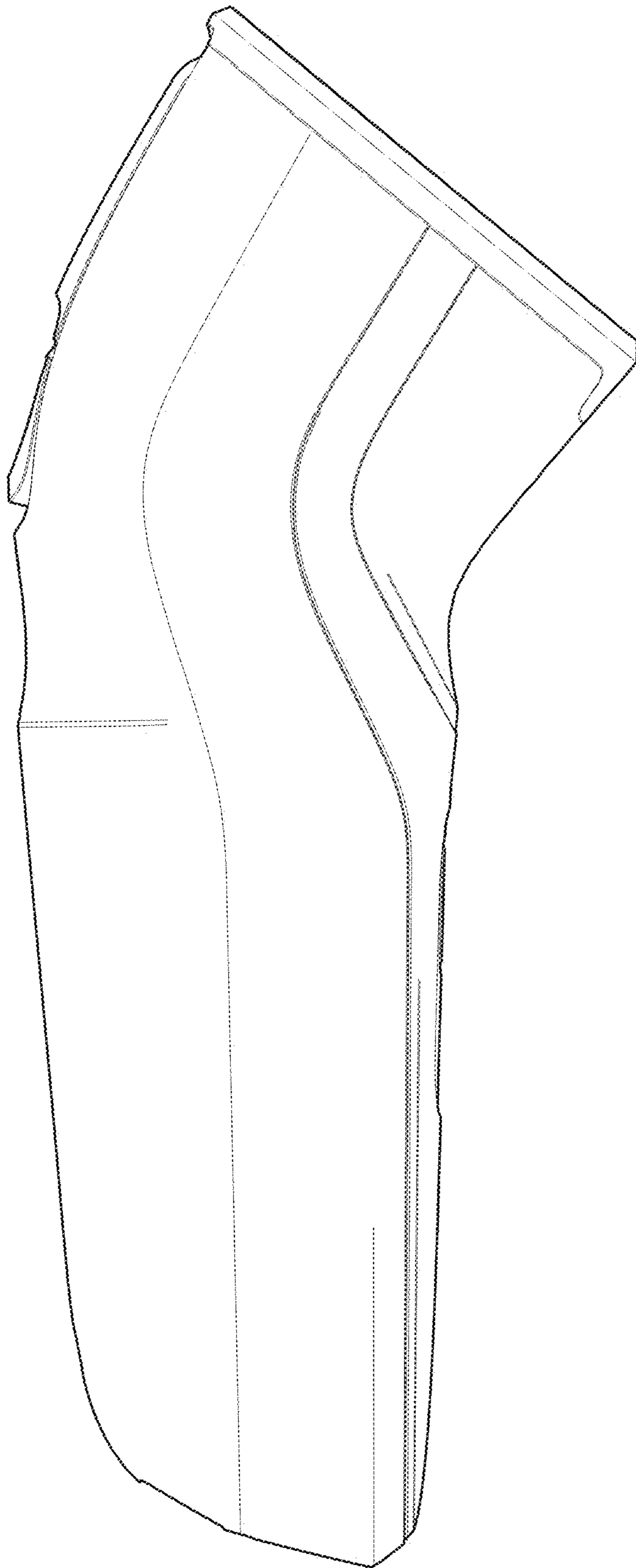


FIG. 11

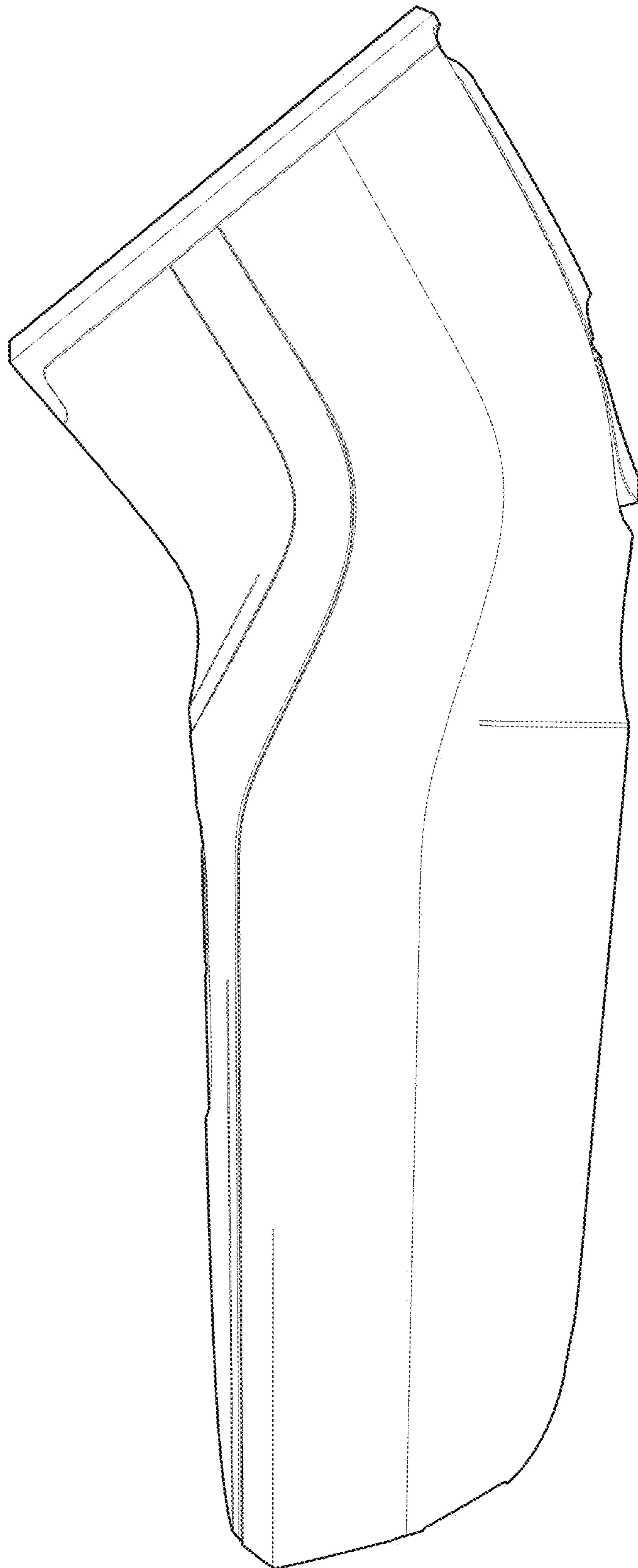


FIG. 12

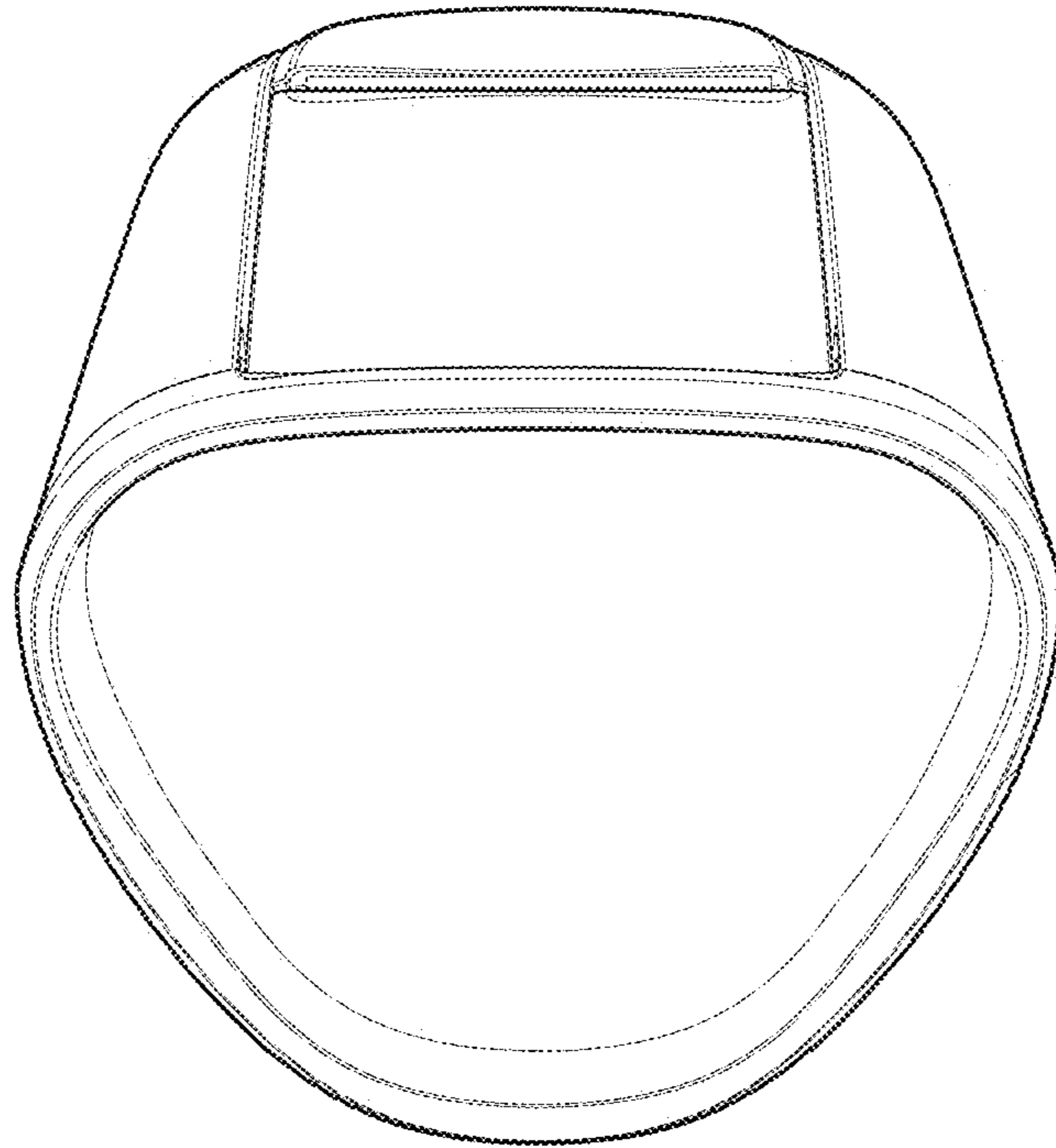


FIG. 13

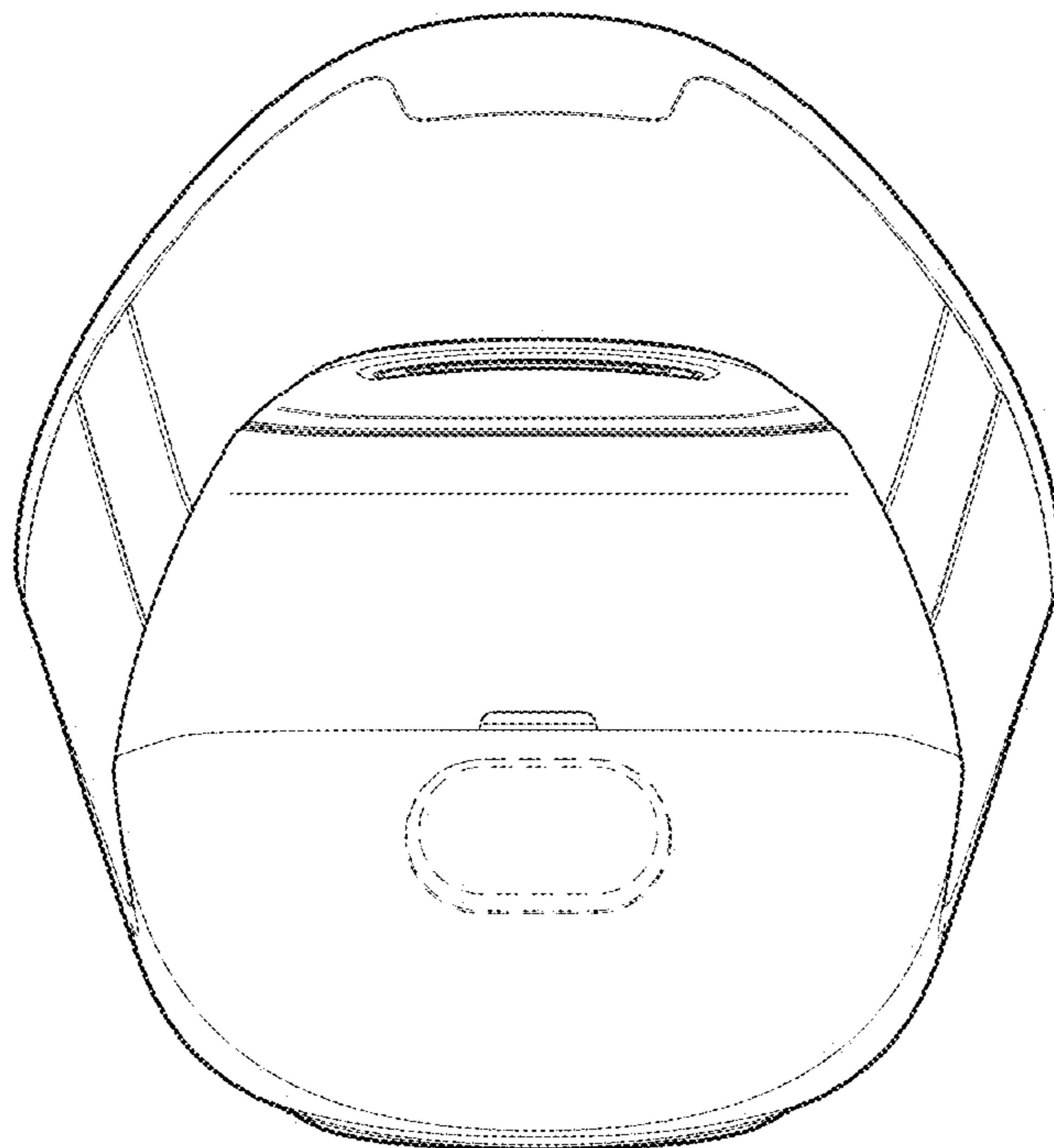


FIG. 14

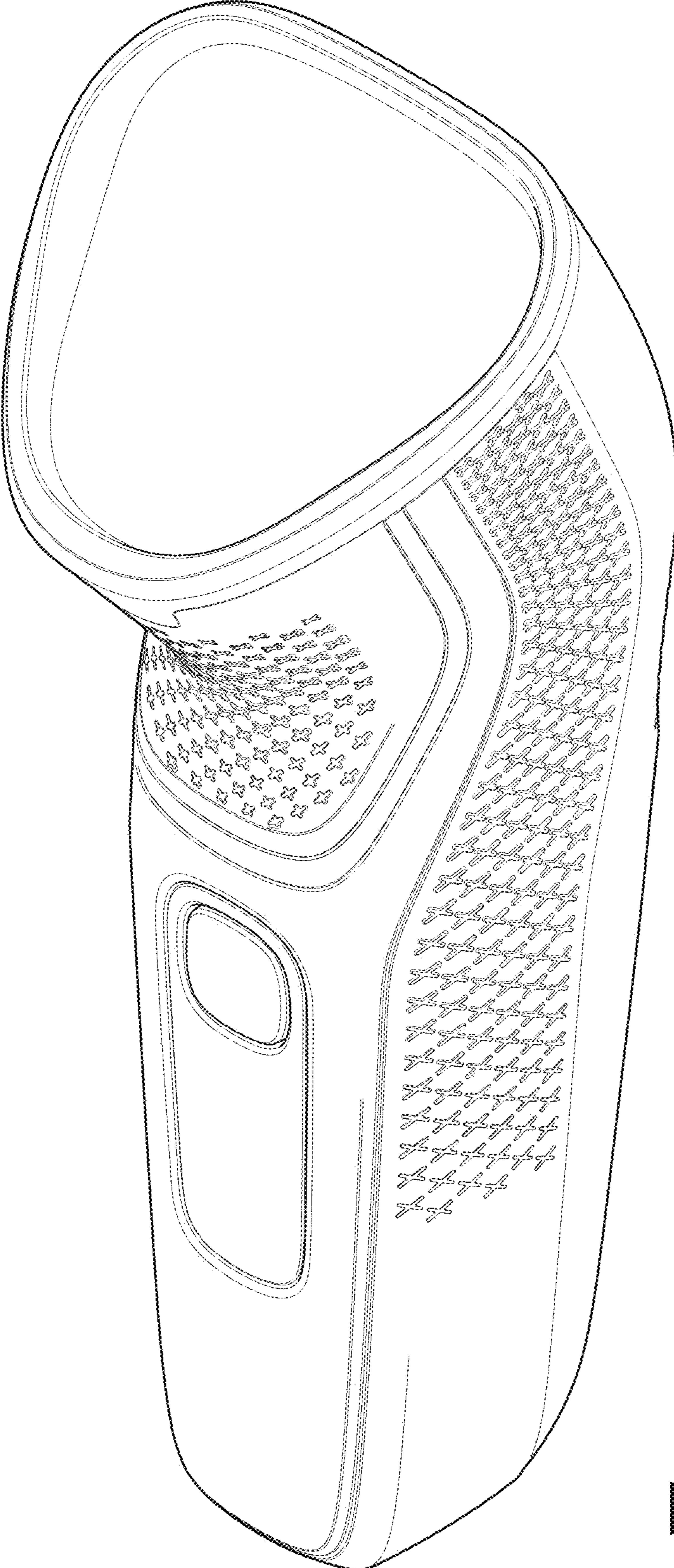


FIG. 15

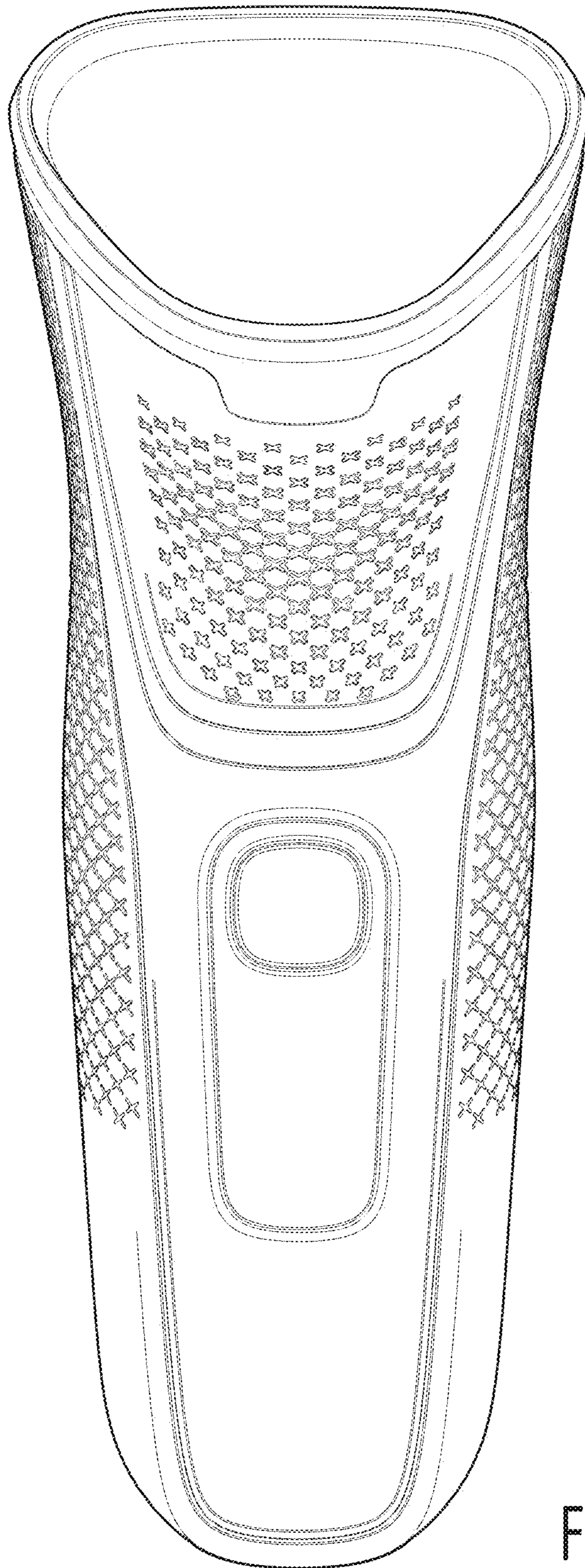


FIG. 16

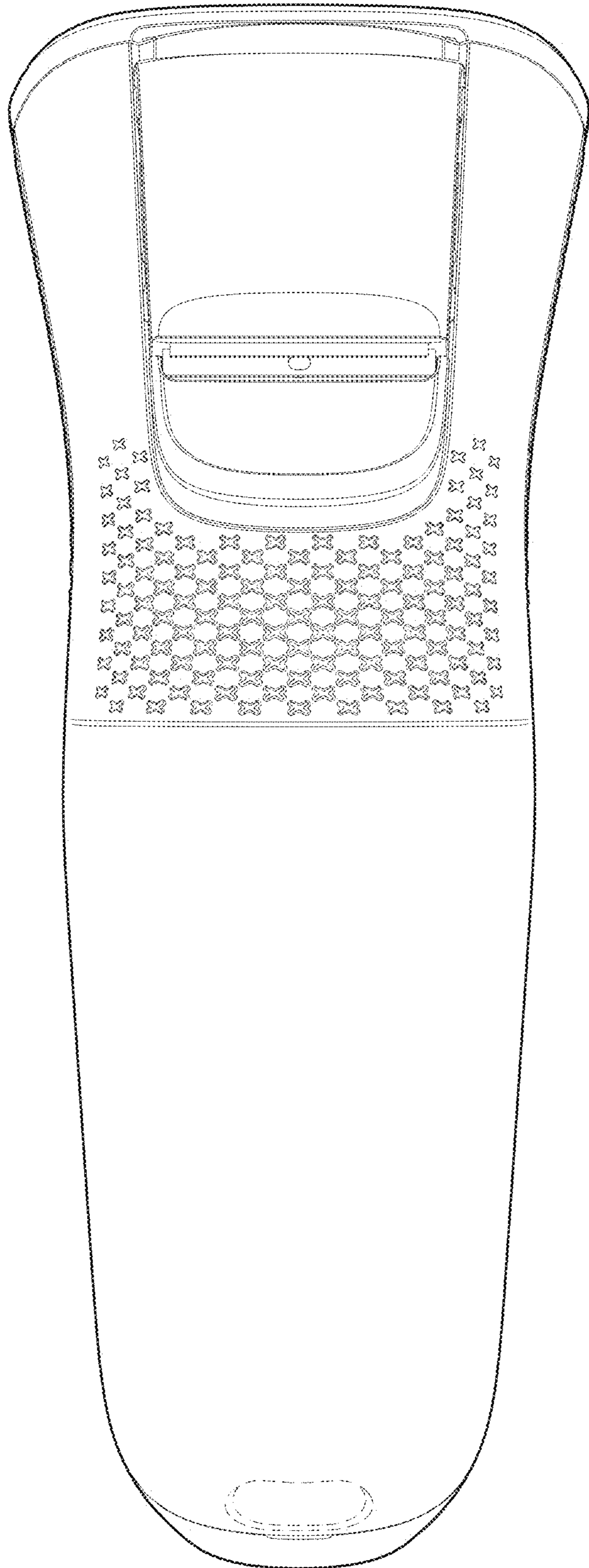


FIG. 17

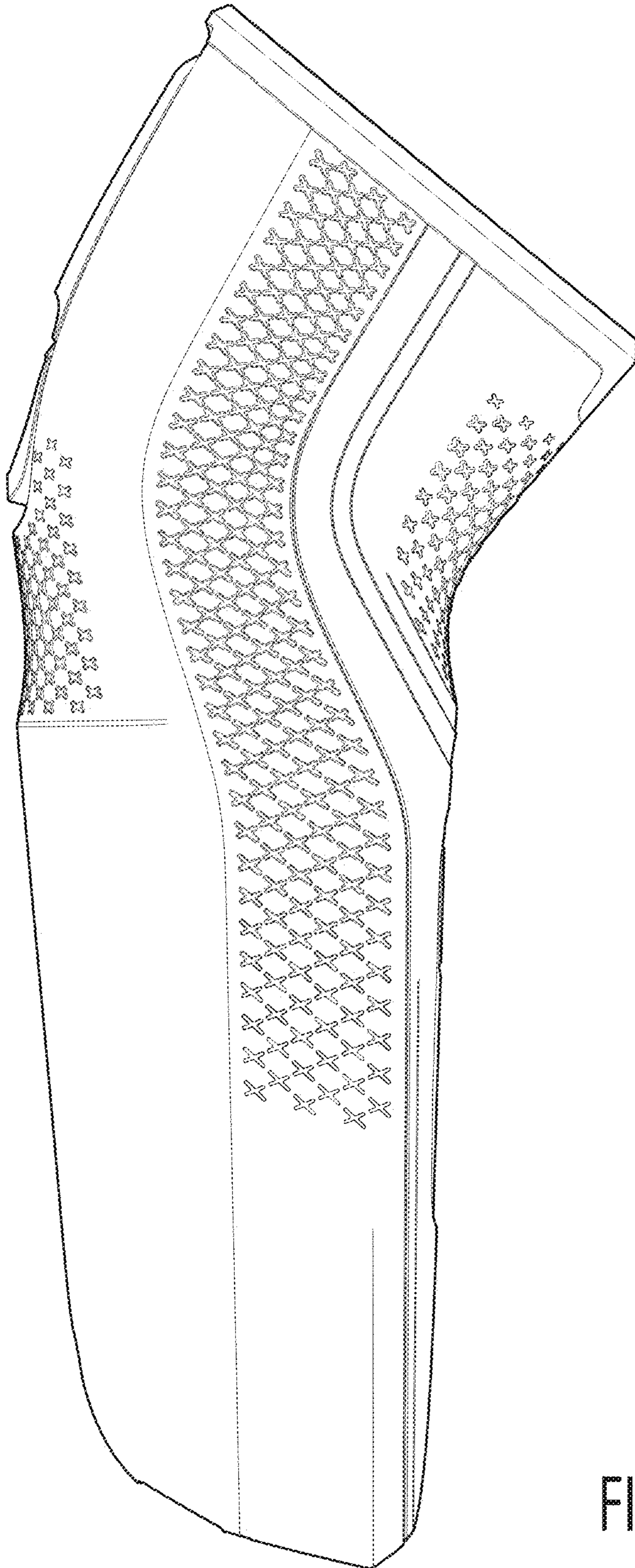


FIG. 18

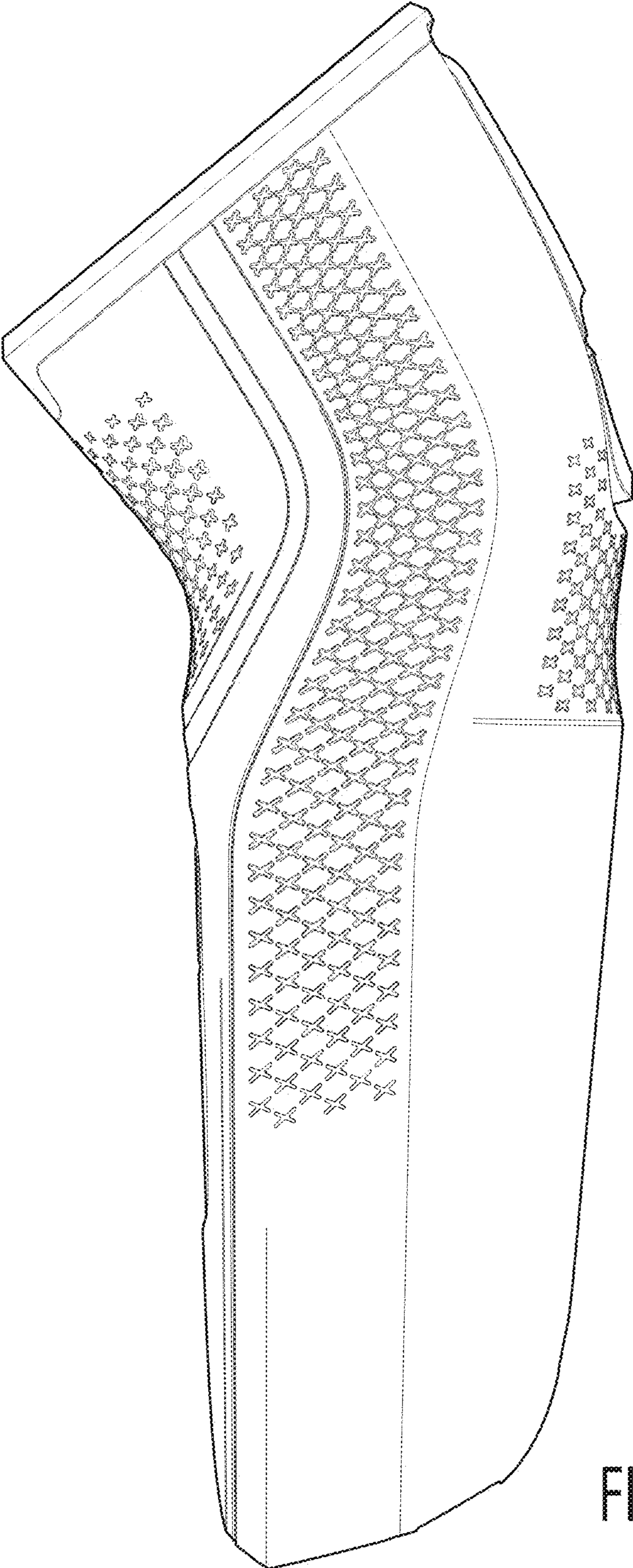


FIG. 19

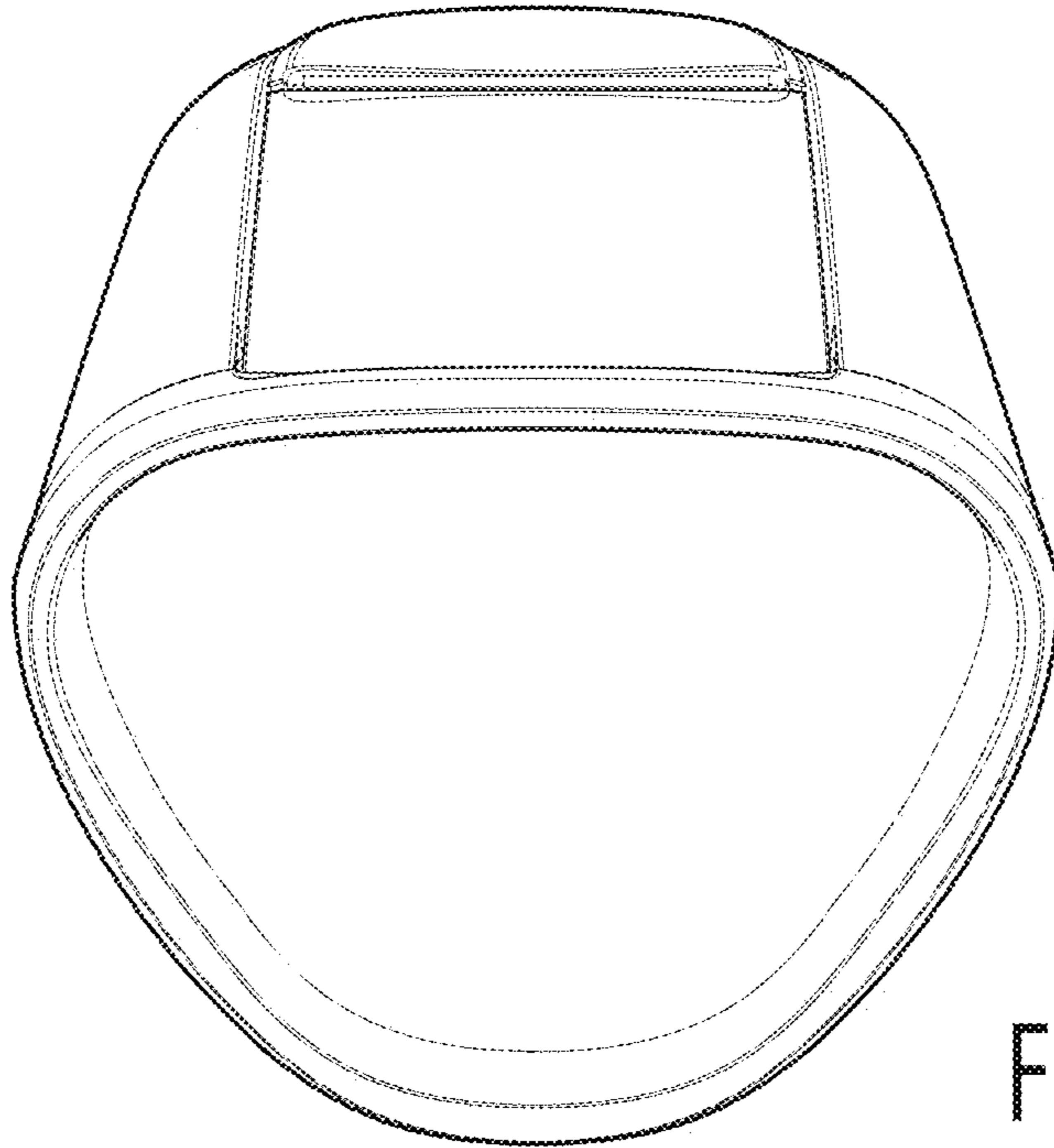


FIG. 20

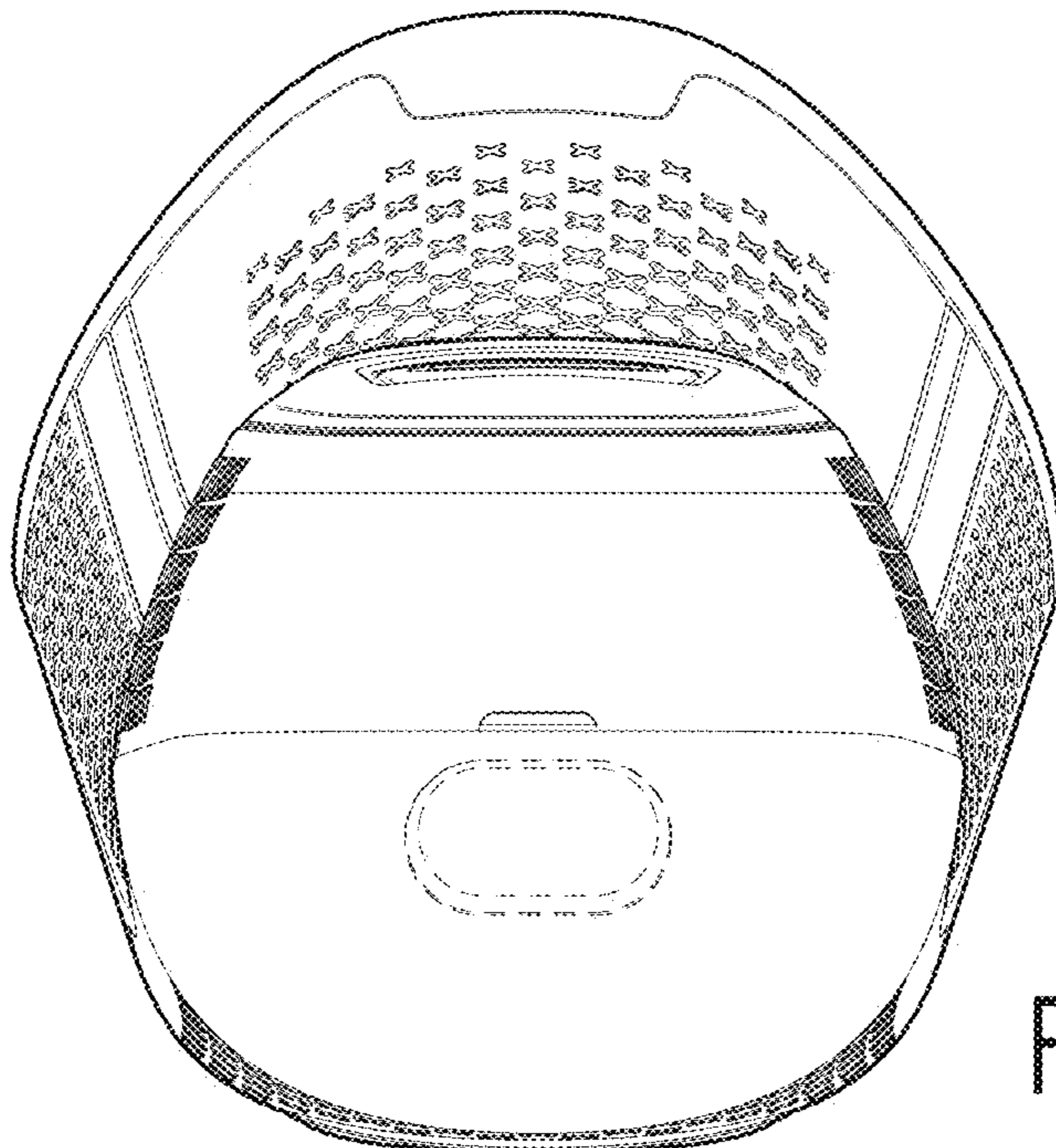


FIG. 21

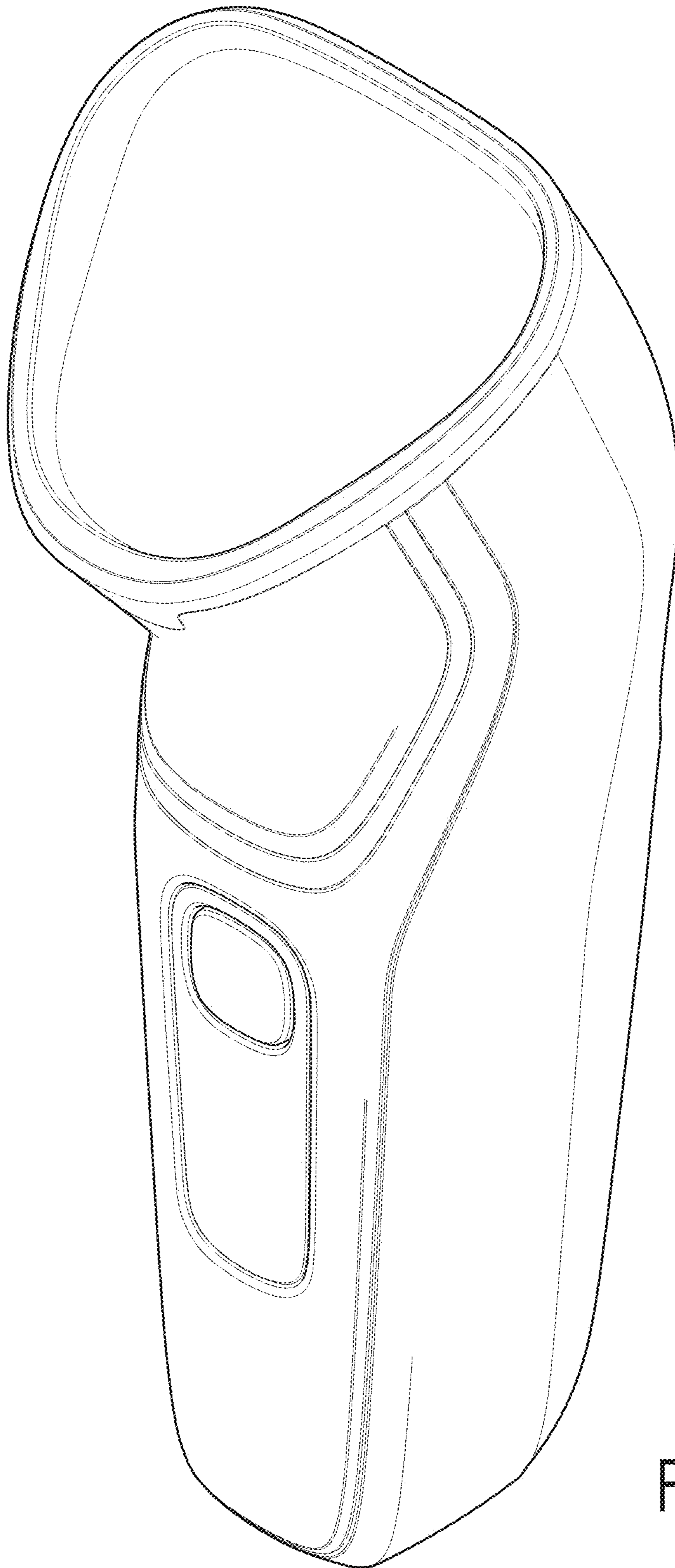


FIG. 22

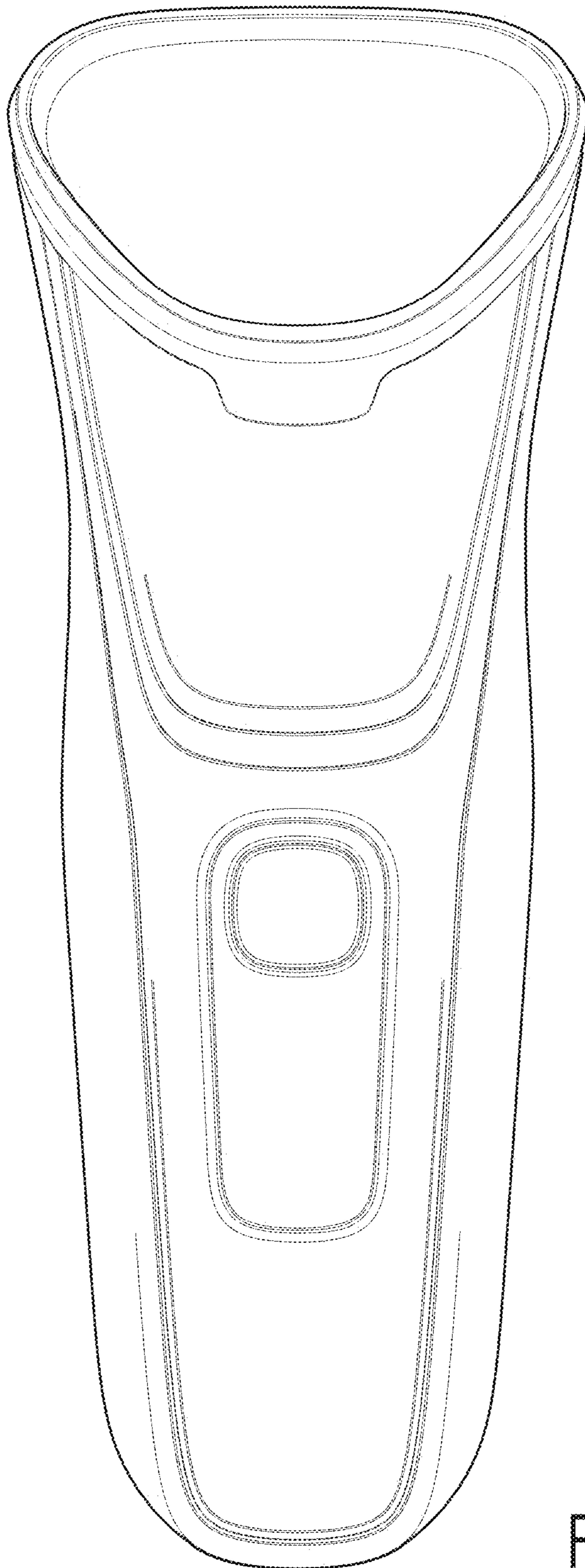


FIG. 23

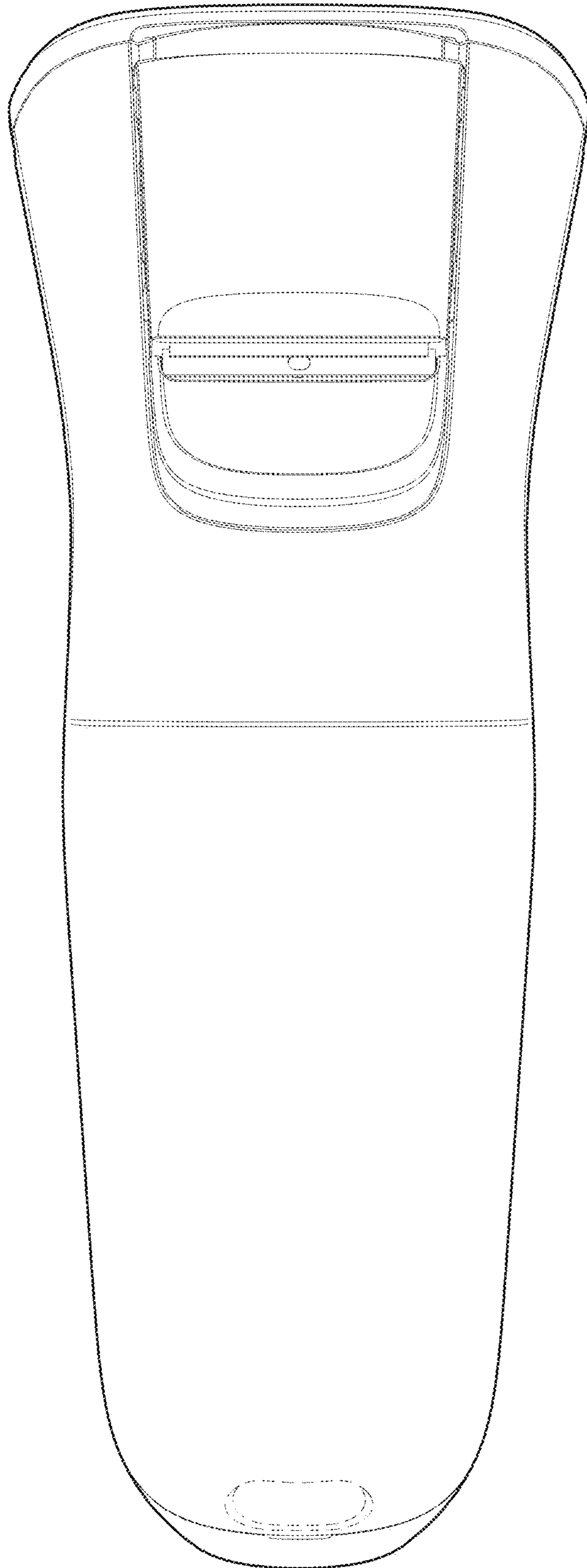


FIG. 24

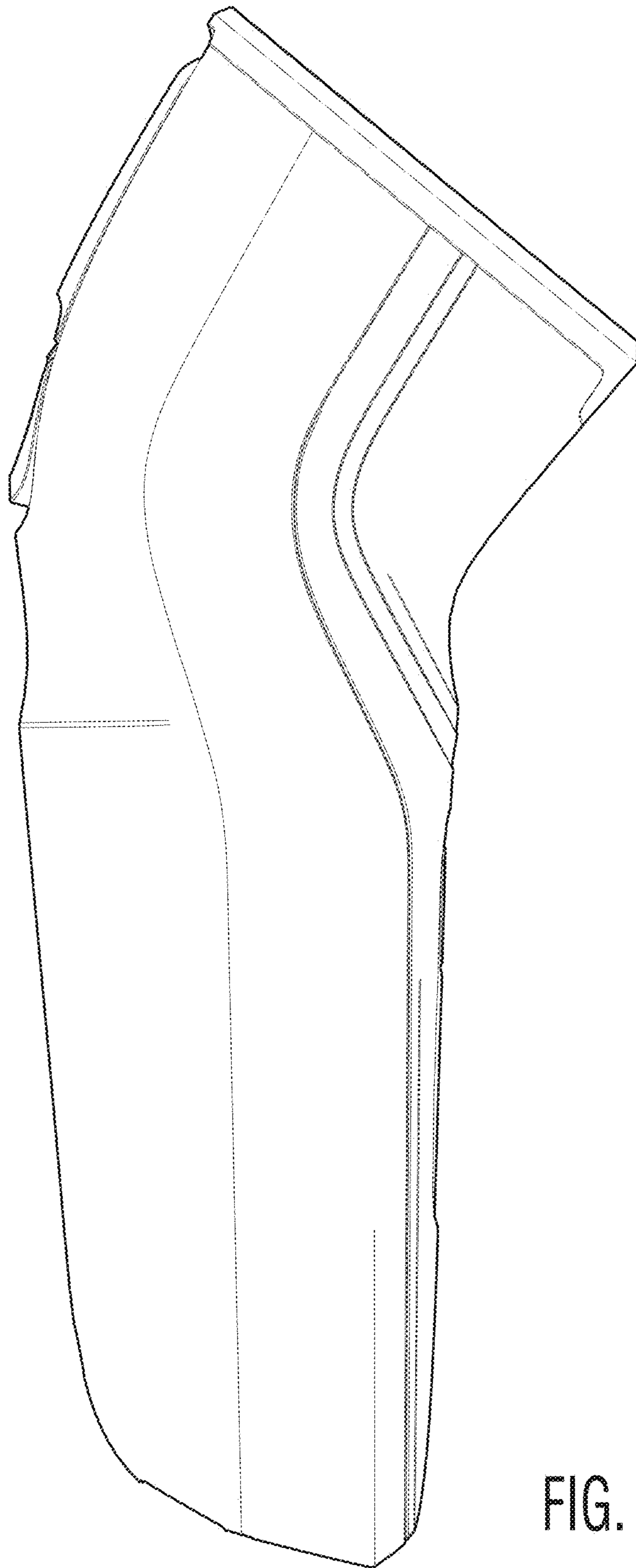


FIG. 25

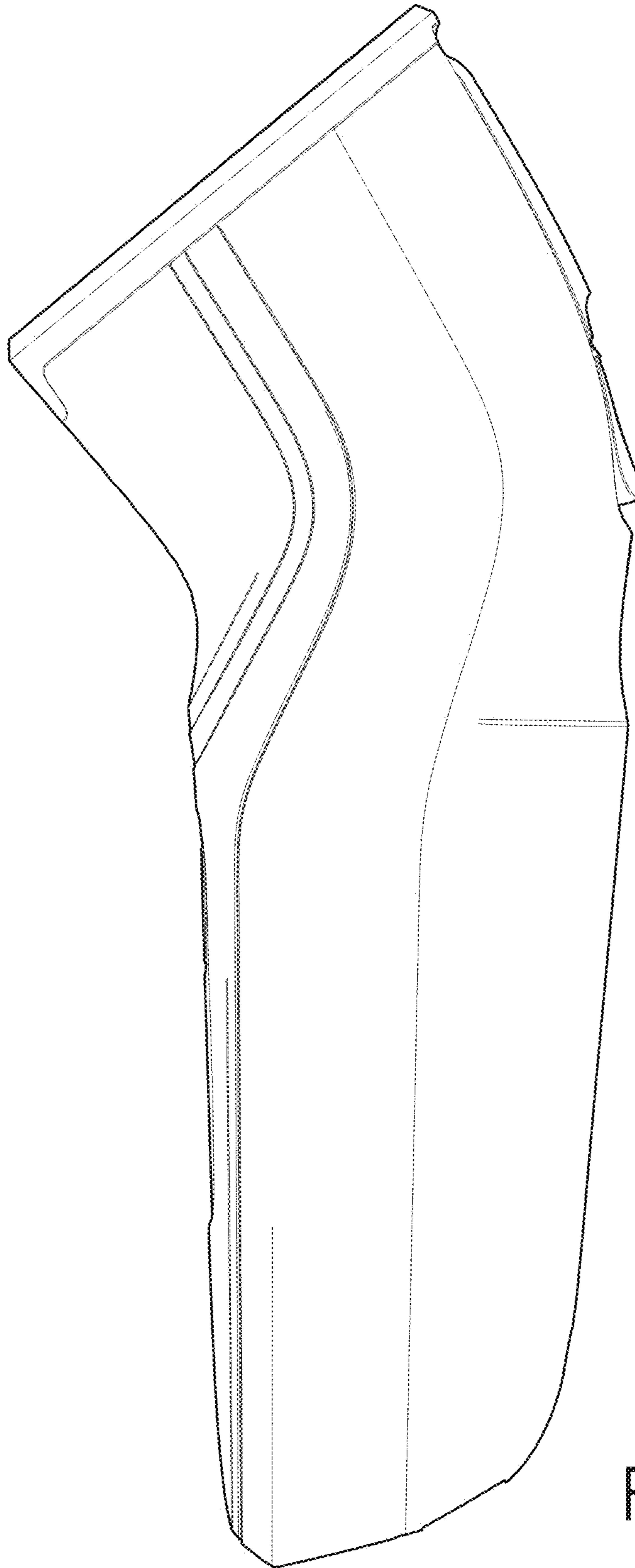


FIG. 26

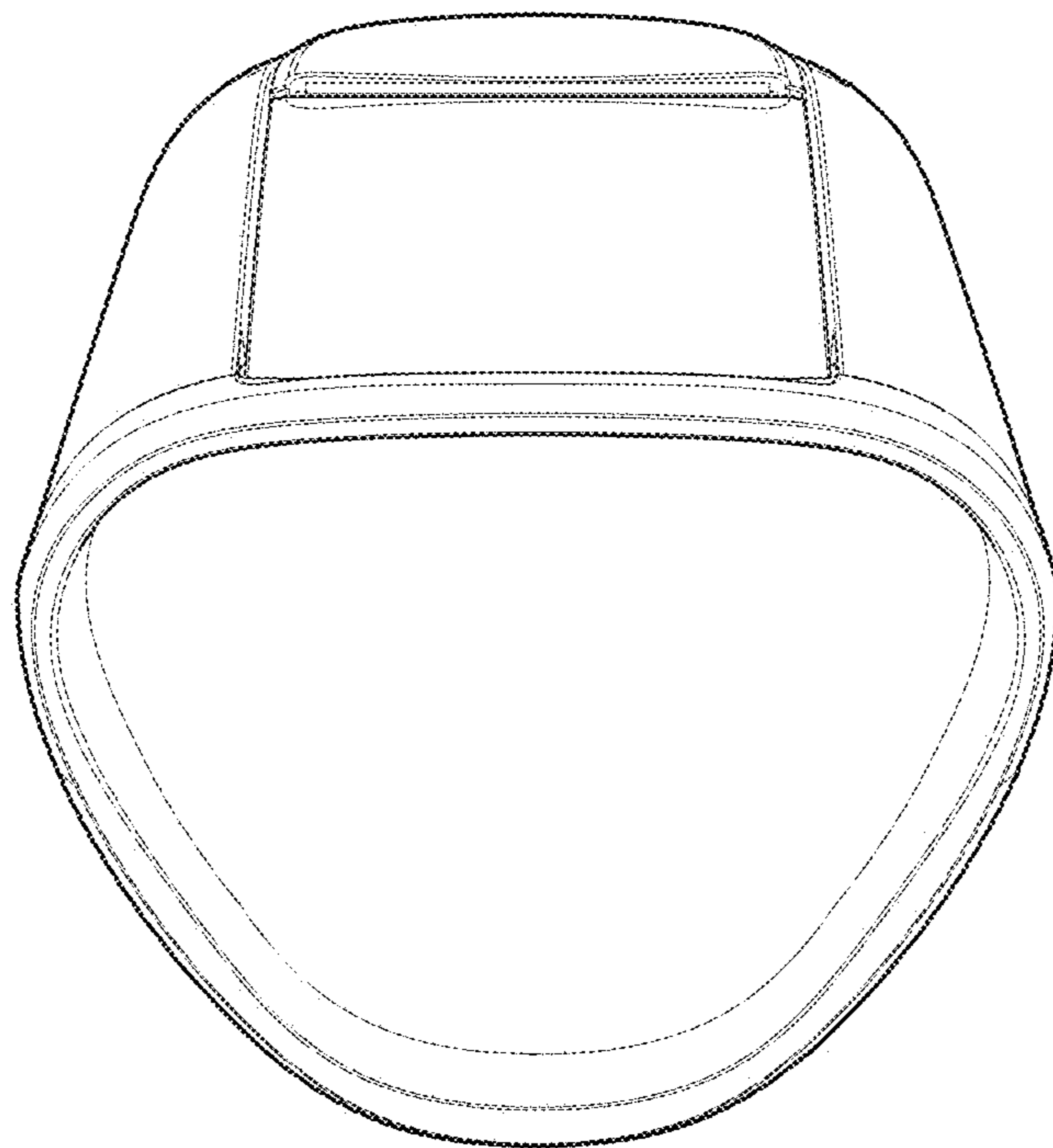


FIG. 27

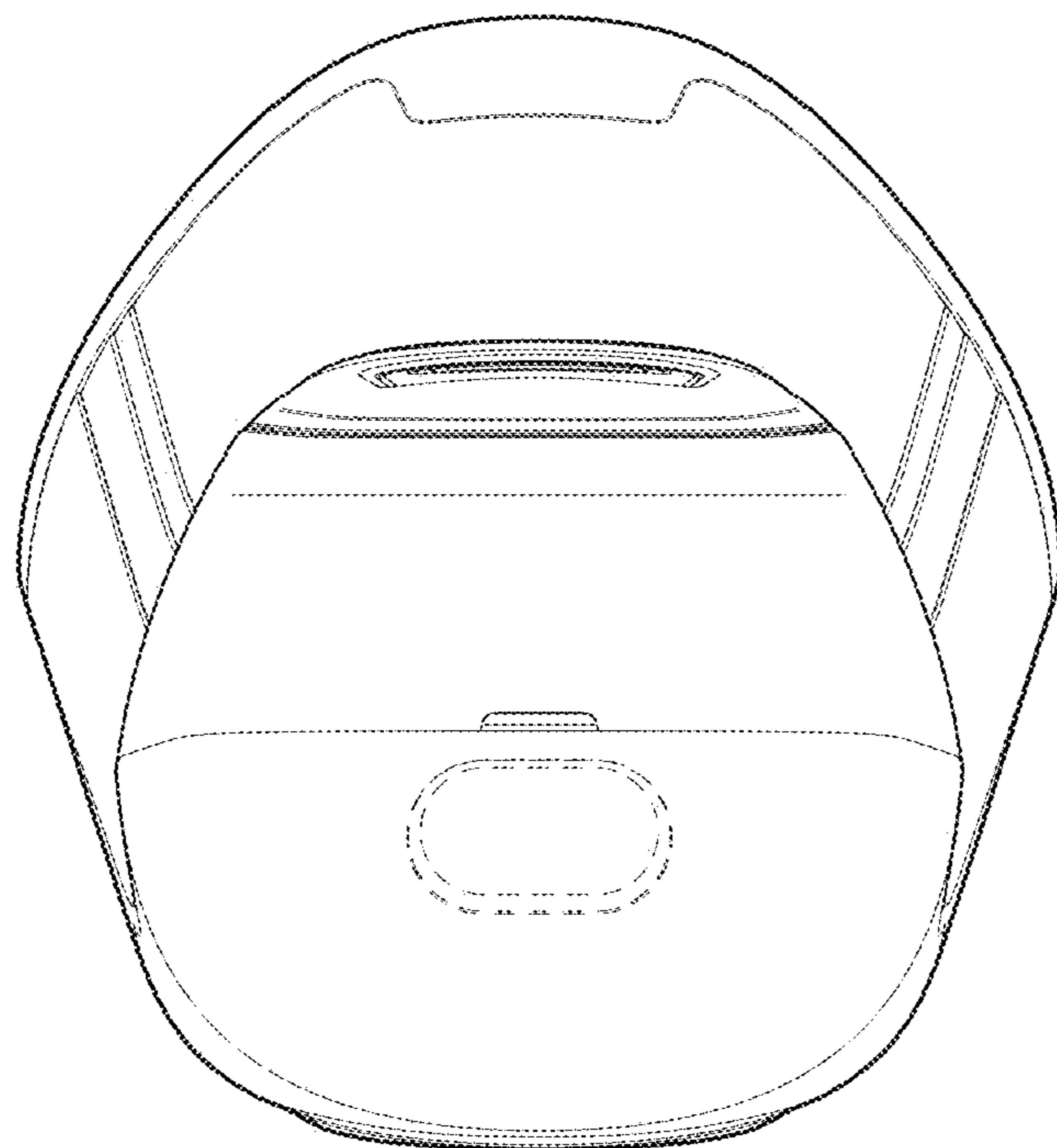


FIG. 28