



US00D955042S

(12) **United States Design Patent**
Shin et al.

(10) **Patent No.:** **US D955,042 S**

(45) **Date of Patent:** **** Jun. 14, 2022**

(54) **HAIR DRIER**

(71) Applicant: **LG ELECTRONICS INC.**, Seoul (KR)

(72) Inventors: **Daekee Shin**, Seoul (KR); **Hophil Lee**, Seoul (KR); **Sunjung Park**, Seoul (KR)

(73) Assignee: **LG ELECTRONICS INC.**, Seoul (KR)

(**) Term: **15 Years**

(21) Appl. No.: **29/767,876**

(22) Filed: **Jan. 26, 2021**

(30) **Foreign Application Priority Data**

Jul. 27, 2020 (KR) 30-2020-0034749

(51) **LOC (13) Cl.** **28-03**

(52) **U.S. Cl.**
USPC **D28/13**

(58) **Field of Classification Search**
USPC D28/12-19; D8/29.1
CPC A45D 20/00; A45D 20/04; A45D 20/08;
A45D 20/10; A45D 20/12; A45D
2020/128

See application file for complete search history.

(56) **References Cited**

U.S. PATENT DOCUMENTS

D715,995 S * 10/2014 Dyson A45D 20/12
D28/13
D715,996 S * 10/2014 Dyson A45D 20/12
D28/13
D716,492 S * 10/2014 Dyson A45D 20/12
D28/13
D729,448 S * 5/2015 Gammack D28/13

D729,979 S * 5/2015 Gammack D28/13
D730,575 S * 5/2015 Bates D28/13
D898,281 S * 10/2020 Yang D28/13
D910,915 S * 2/2021 Shin D28/13
D912,313 S * 3/2021 Shin D28/13
D912,314 S * 3/2021 Shin D28/13
D912,317 S * 3/2021 Park D28/13
D912,318 S * 3/2021 Shin D28/13
D912,894 S * 3/2021 Shin D28/13
D927,064 S * 8/2021 Shin D28/18

* cited by examiner

Primary Examiner — Zenia I Bennett

(74) *Attorney, Agent, or Firm* — Birch, Stewart, Kolasch & Birch, LLP

(57) **CLAIM**

The ornamental design for a hair drier, as shown and described.

DESCRIPTION

FIG. 1 is a front perspective view of the hair drier showing our new design;
FIG. 2 is a front view thereof;
FIG. 3 is a back view thereof;
FIG. 4 is a left side view thereof;
FIG. 5 is a right side view thereof;
FIG. 6 is a top plan view thereof;
FIG. 7 is a bottom plan view thereof;
FIG. 8 is a back perspective view thereof; and,
FIG. 9 is a reference view showing the state of use that the display at the upper back part provides the user with various information.

The broken lines depict portions of the hair drier that form no part of the claimed design.

1 Claim, 9 Drawing Sheets

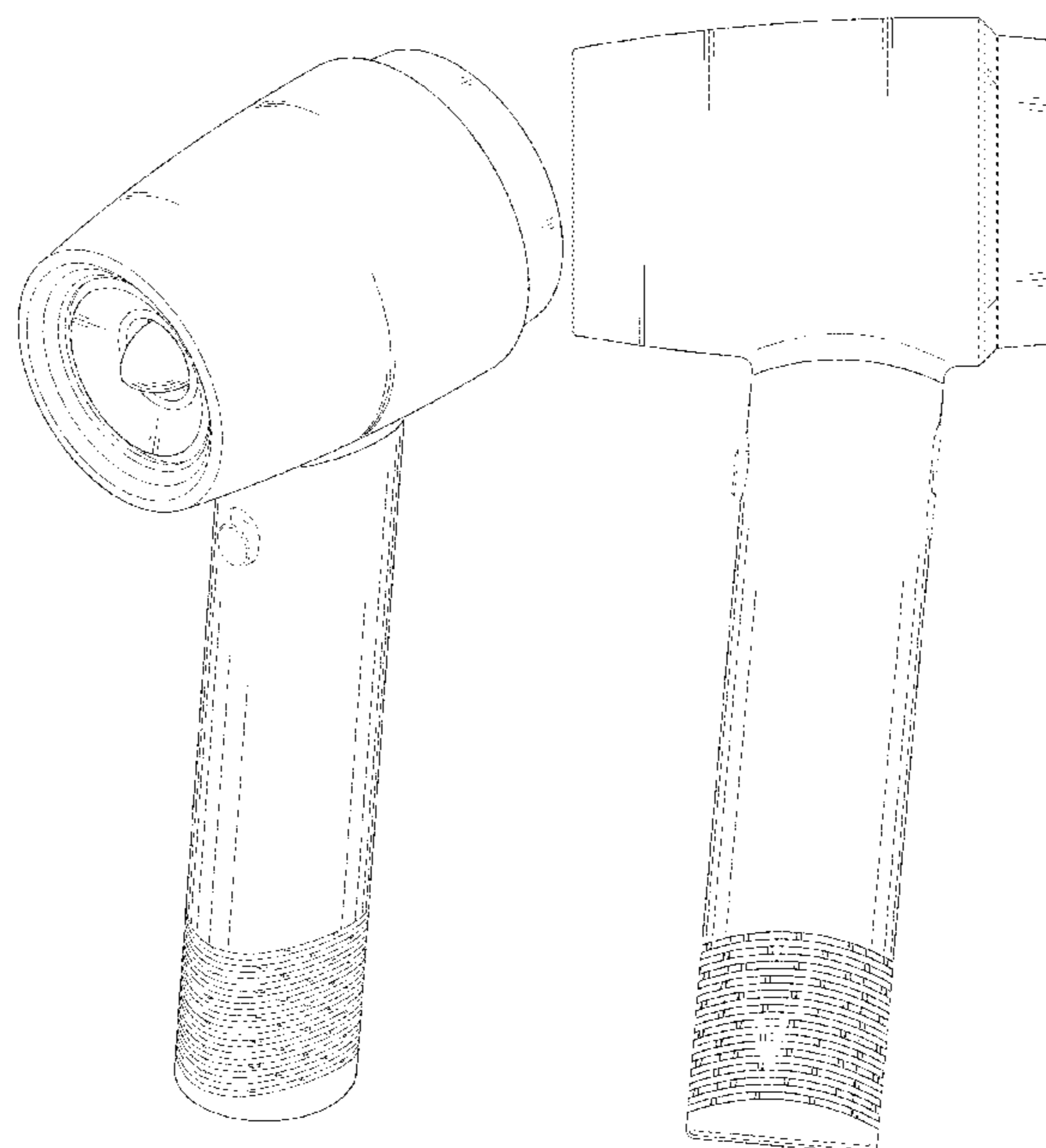


FIG. 1

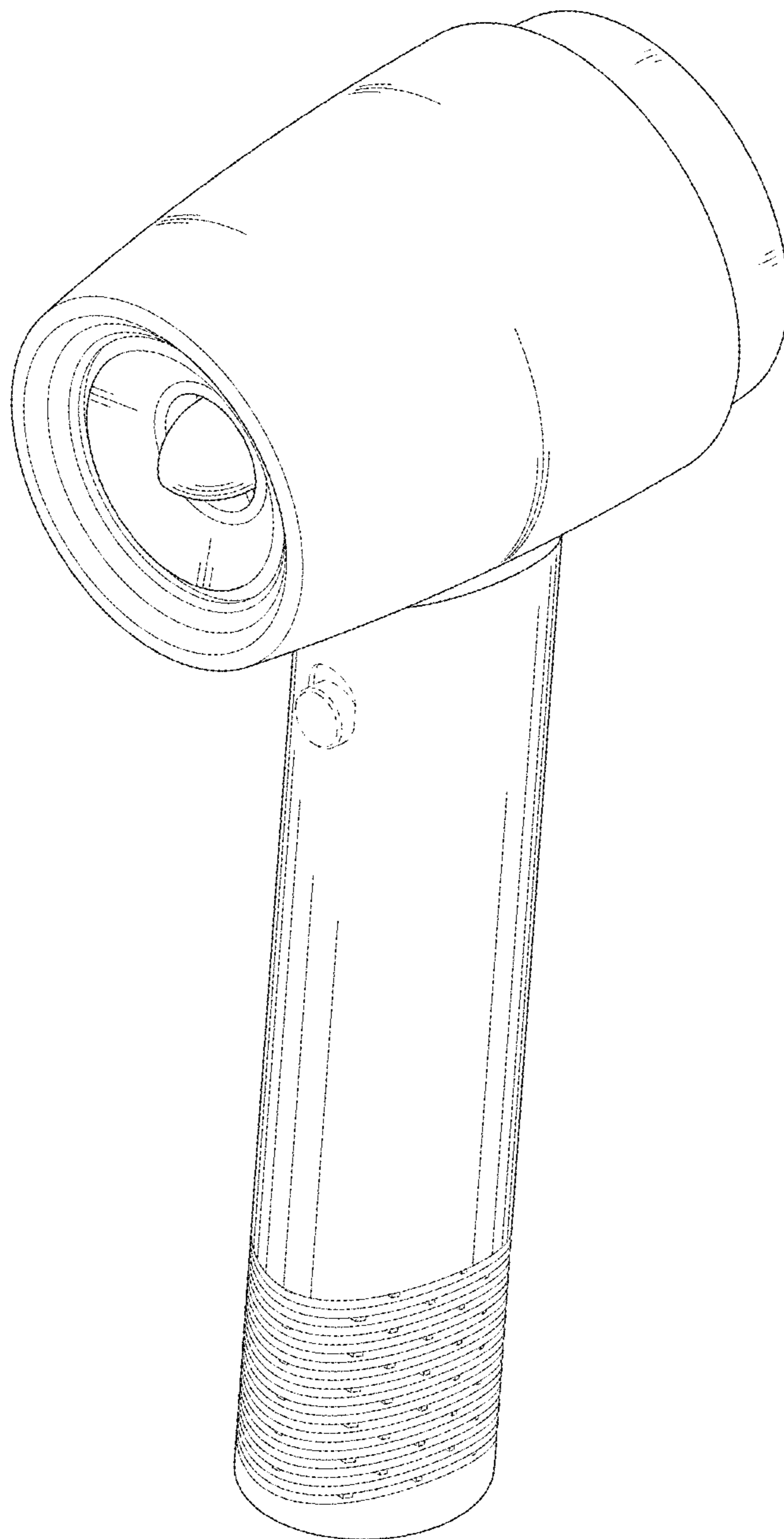


FIG. 2

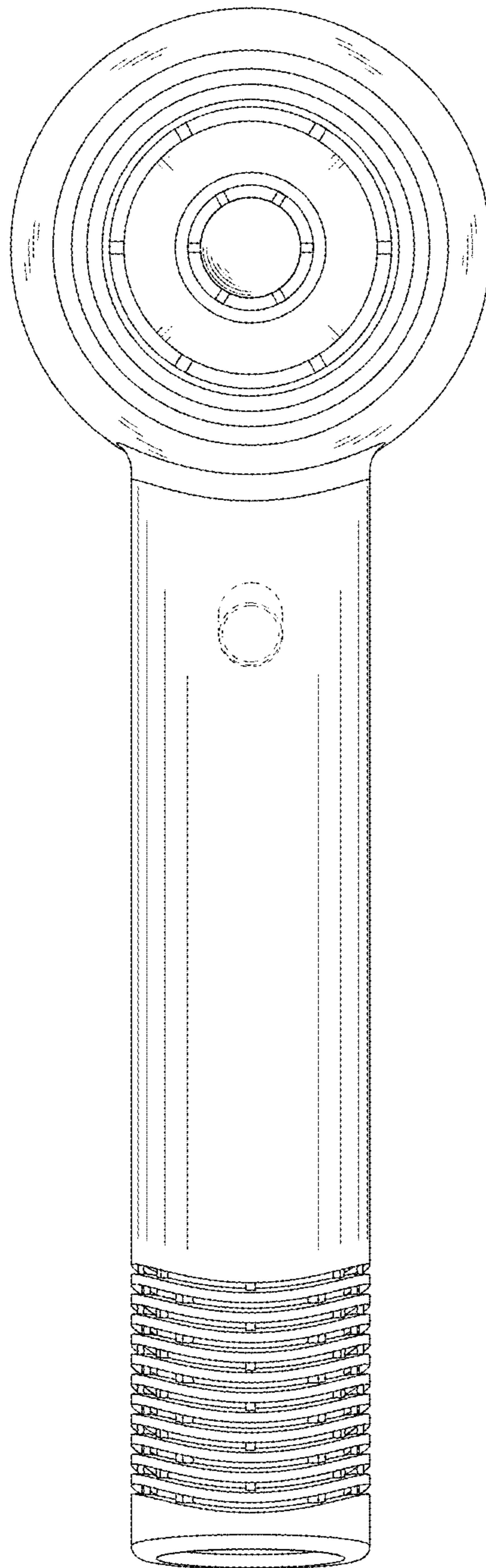


FIG. 3

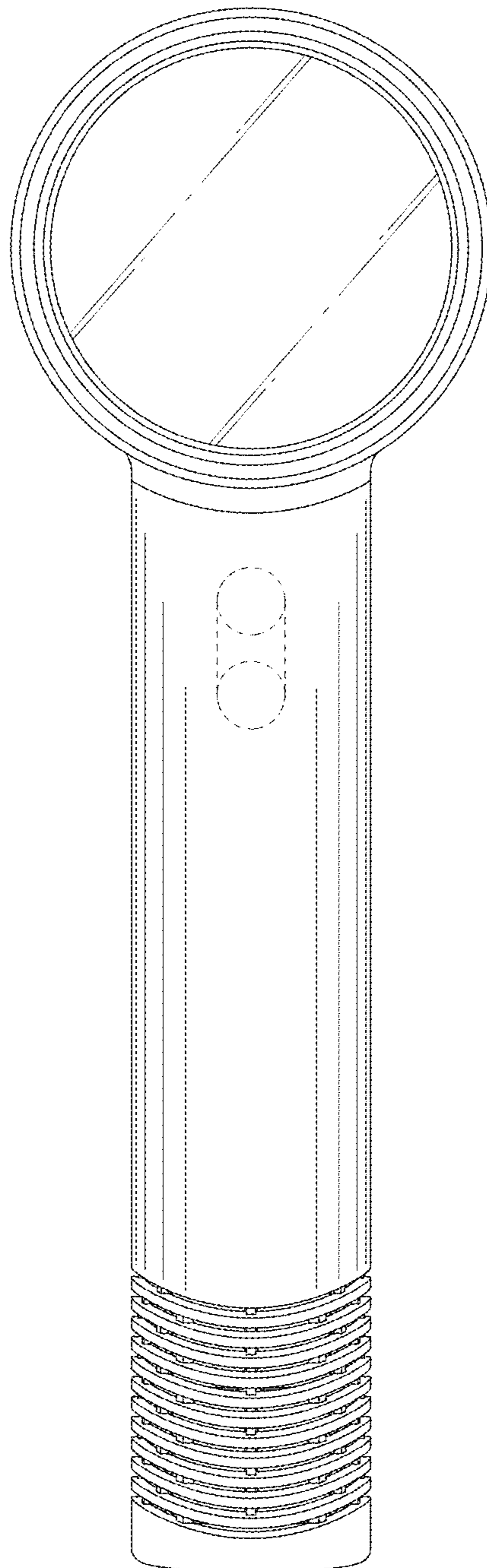


FIG. 4

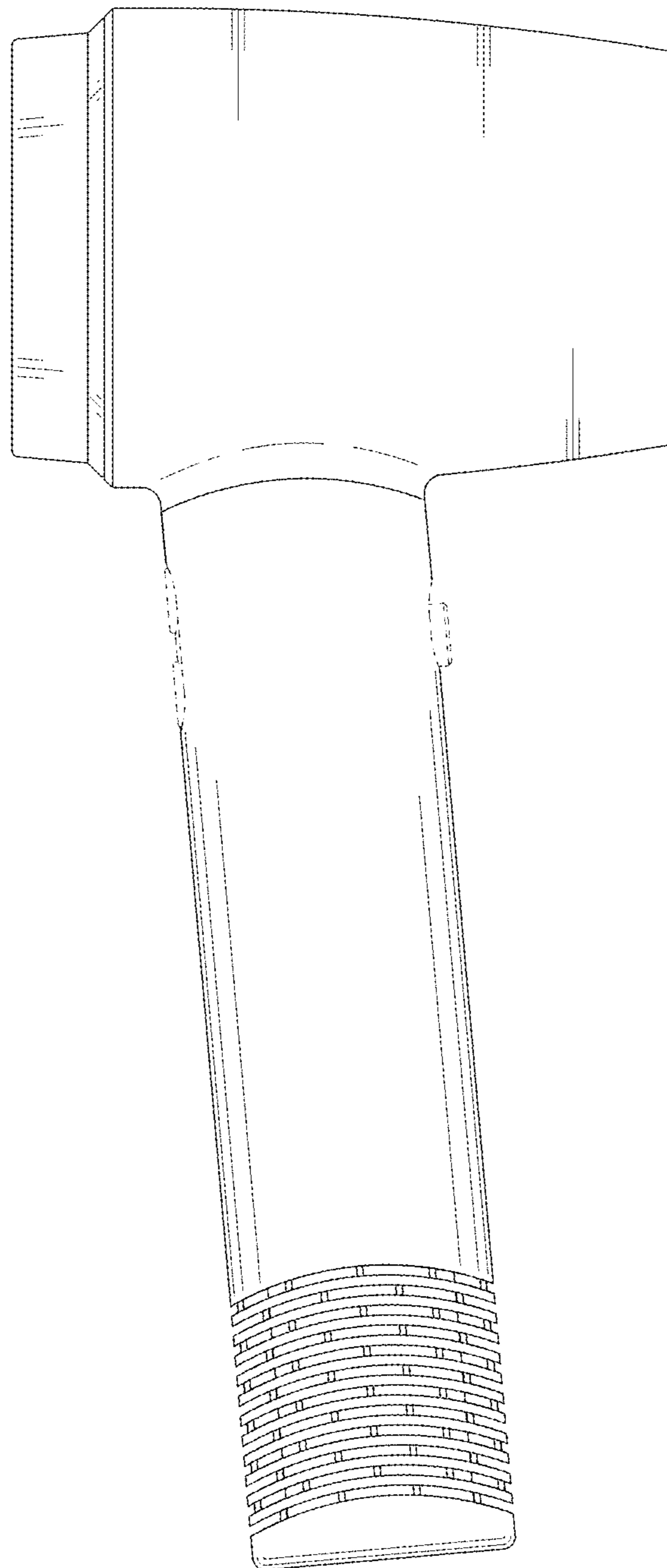


FIG. 5

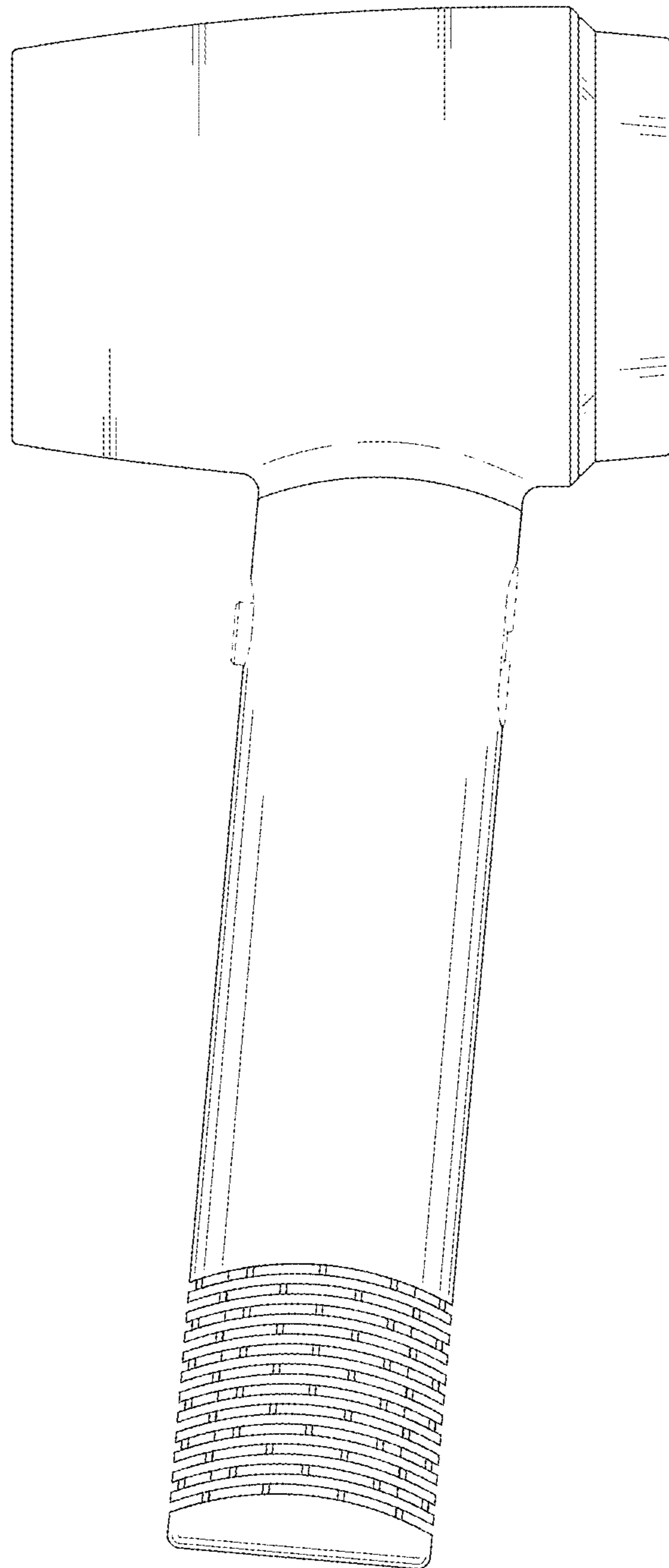


FIG. 6

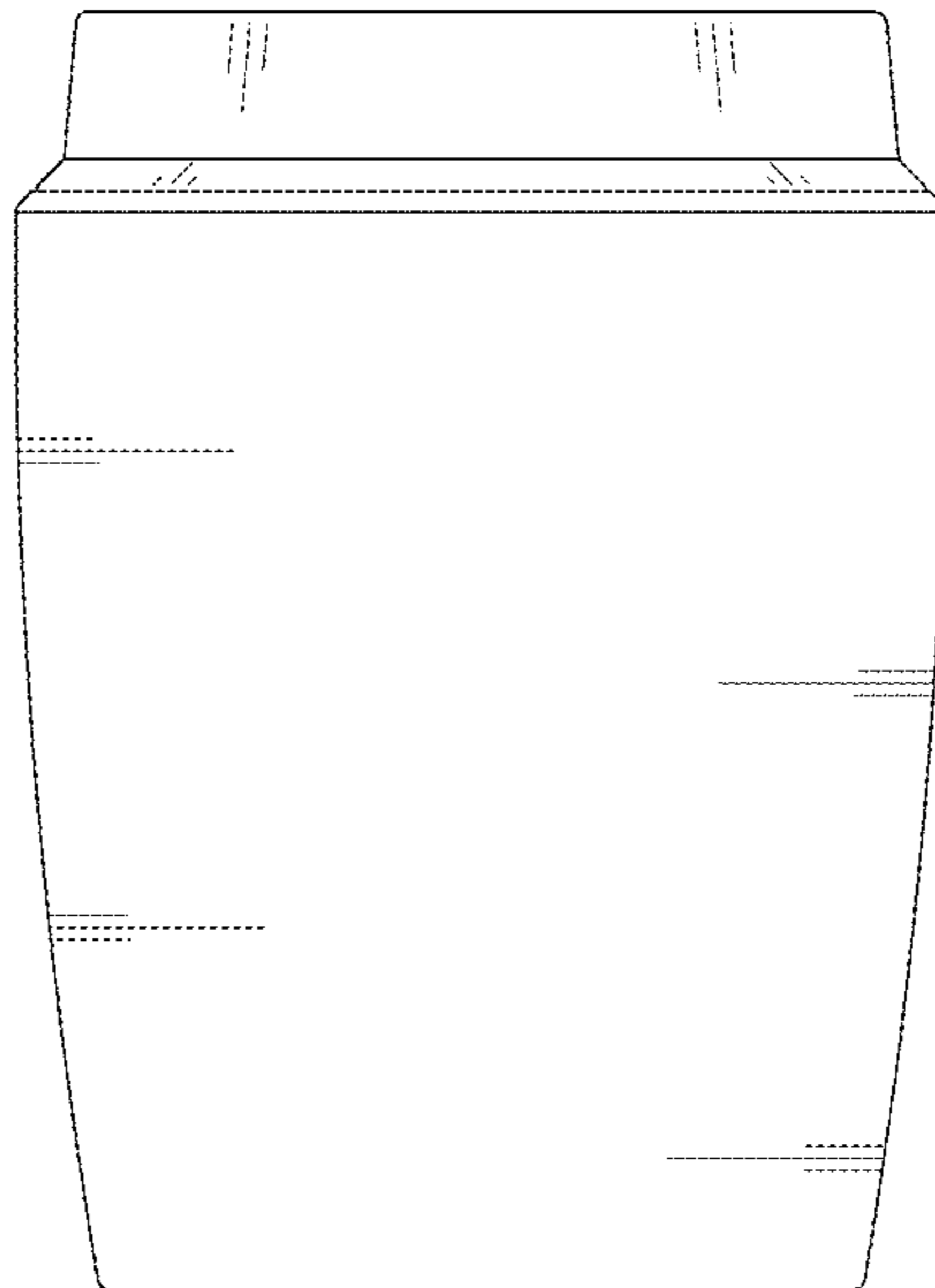


FIG. 7

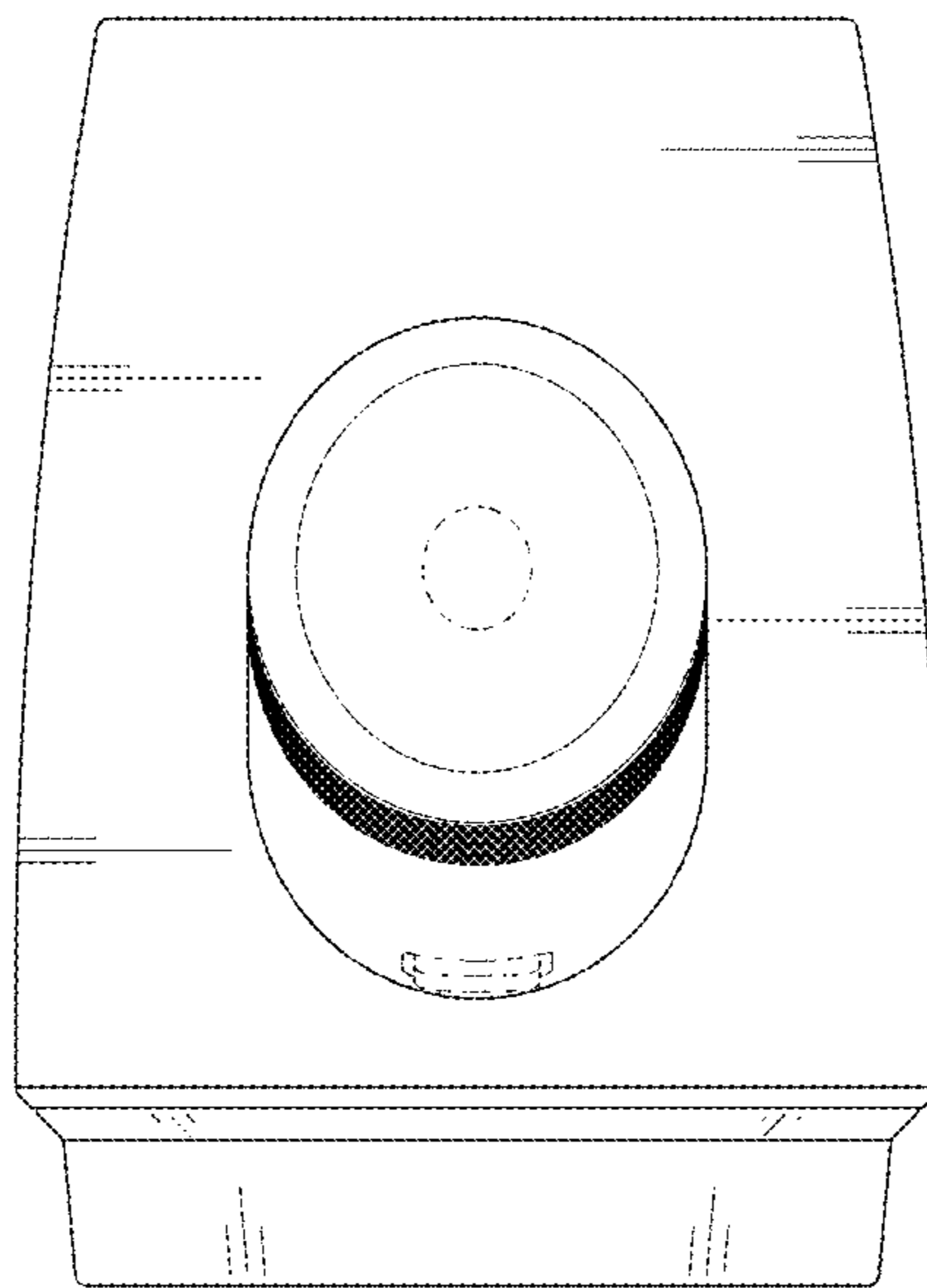


FIG. 8

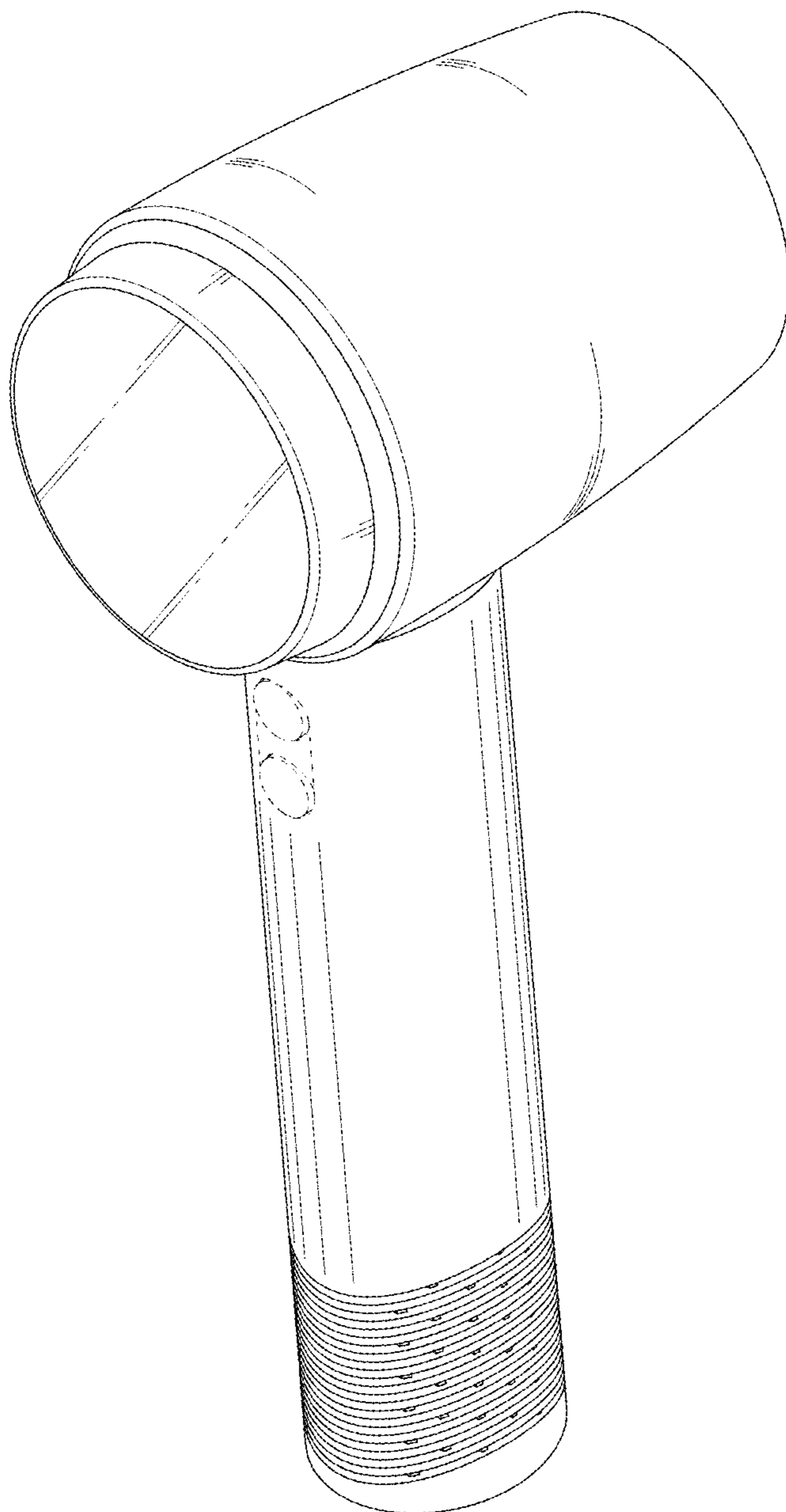


FIG. 9

