



US00D955041S

(12) **United States Design Patent**
Jin

(10) **Patent No.:** **US D955,041 S**

(45) **Date of Patent:** **** Jun. 14, 2022**

(54) **HAIR DRYER**

D899,686 S * 10/2020 Lin D28/13
D904,687 S * 12/2020 Xiong D28/13
D911,604 S * 2/2021 Chen D28/13

(71) Applicant: **Shenzhen DJ Innovation Industry Co., Ltd**, Shenzhen (CN)

* cited by examiner

(72) Inventor: **Bo Jin**, Shenzhen (CN)

Primary Examiner — Zenia I Bennett

(**) Term: **15 Years**

(21) Appl. No.: **29/766,980**

(57) **CLAIM**

(22) Filed: **Jan. 20, 2021**

The ornamental design for a hair dryer, as shown and described.

(51) **LOC (13) Cl.** **28-03**

(52) **U.S. Cl.**
USPC **D28/13**

(58) **Field of Classification Search**
USPC D28/12-19; D8/29.1
CPC A45D 20/00; A45D 20/04; A45D 20/08;
A45D 20/10; A45D 20/12; A45D
2020/128
See application file for complete search history.

DESCRIPTION

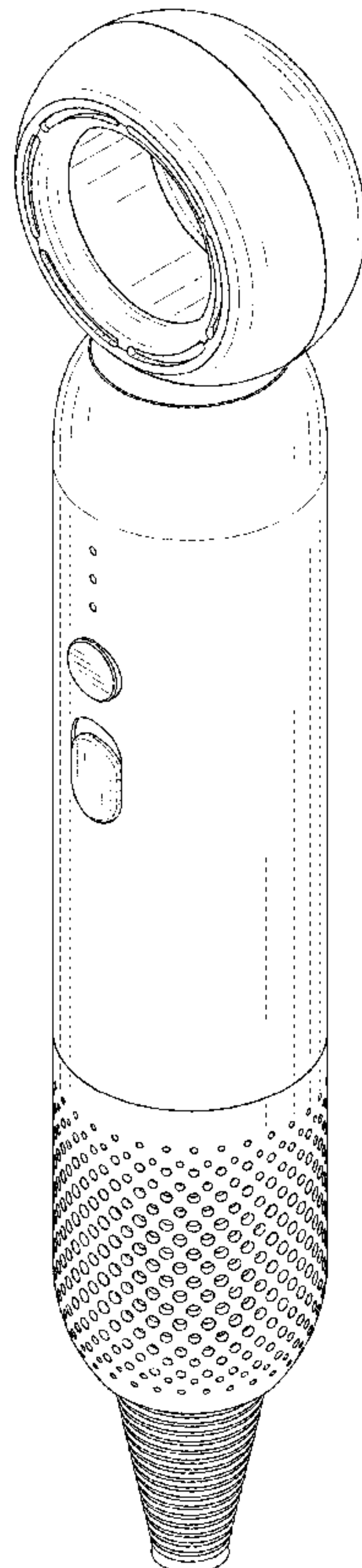
(56) **References Cited**

U.S. PATENT DOCUMENTS

D270,380 S * 8/1983 Armstrong D28/13
D311,783 S * 10/1990 Howard D28/13
D729,979 S * 5/2015 Gammack D28/13
D730,575 S * 5/2015 Bates D28/13
D730,576 S * 5/2015 Gammack D28/13
D731,117 S * 6/2015 Bates D28/13
D898,281 S * 10/2020 Yang D28/13

FIG. 1 is a first perspective view of a hair dryer showing my new design;
FIG. 2 is a second perspective view thereof;
FIG. 3 is a front view thereof;
FIG. 4 is a back view thereof;
FIG. 5 is a left side view thereof;
FIG. 6 is a right side view thereof;
FIG. 7 is a top view thereof;
FIG. 8 is a bottom view thereof; and,
FIG. 9 is an enlarged view of the selected portion in FIG. 2. The broken lines shown in the drawings depict portions of the hair dryer in which the design is embodied that form no part of the claimed design.

1 Claim, 9 Drawing Sheets



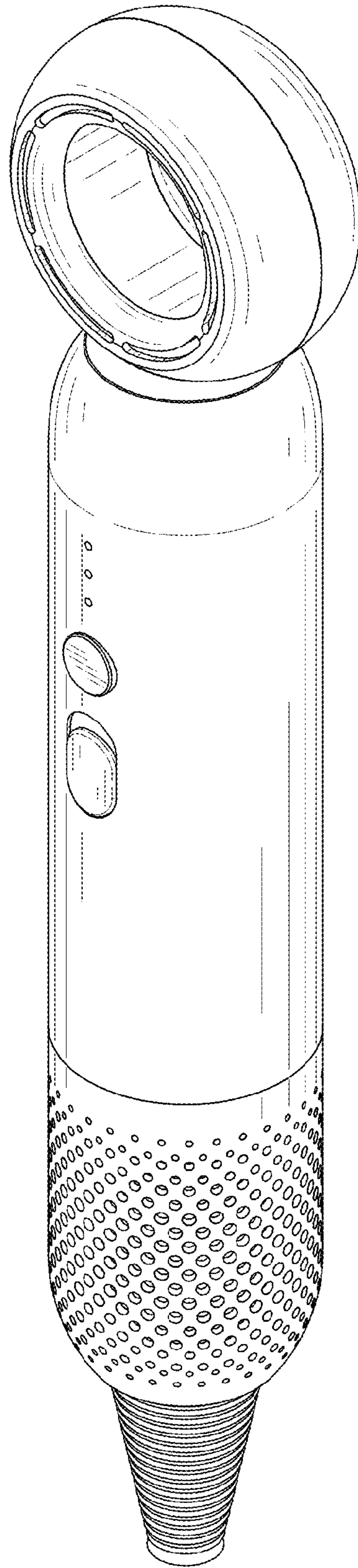


FIG. 1

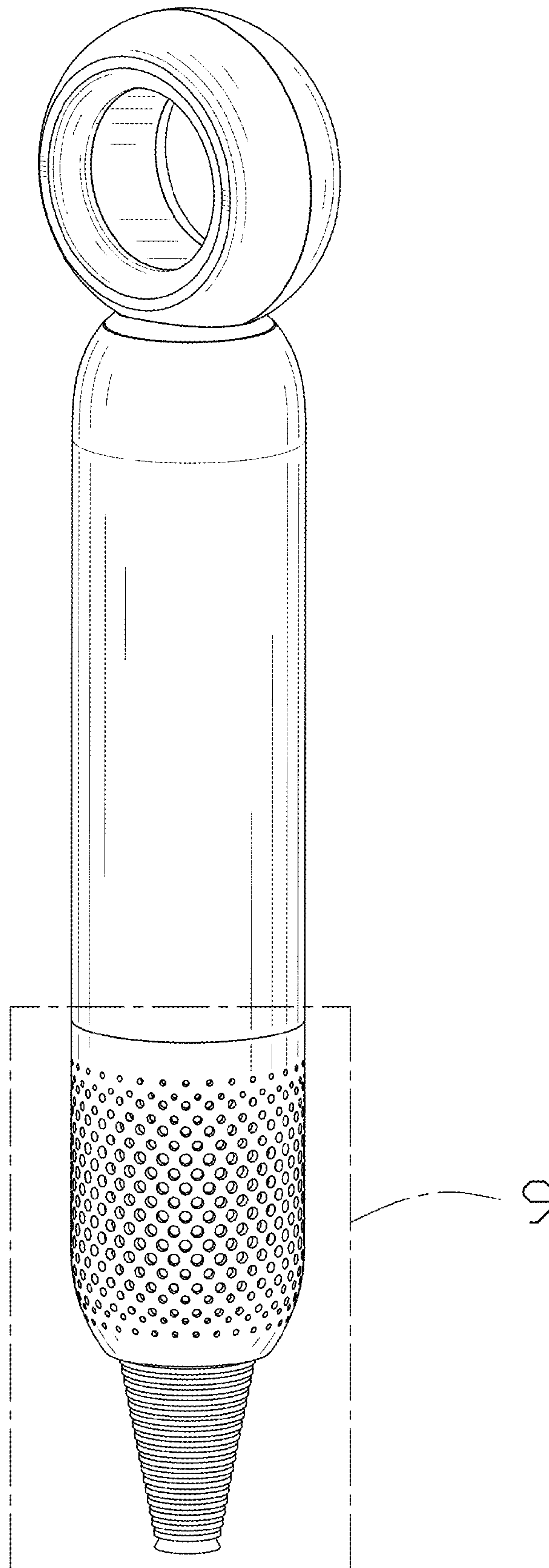


FIG. 2

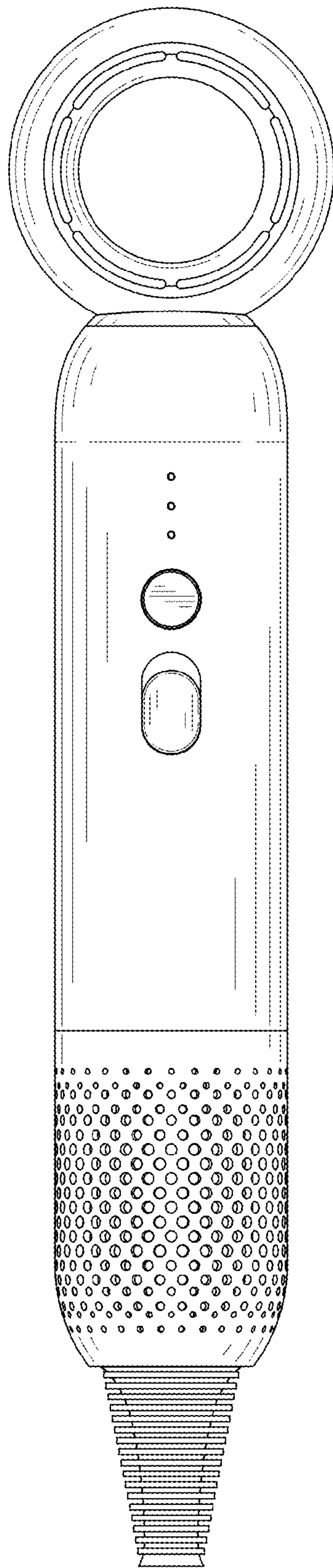


FIG. 3

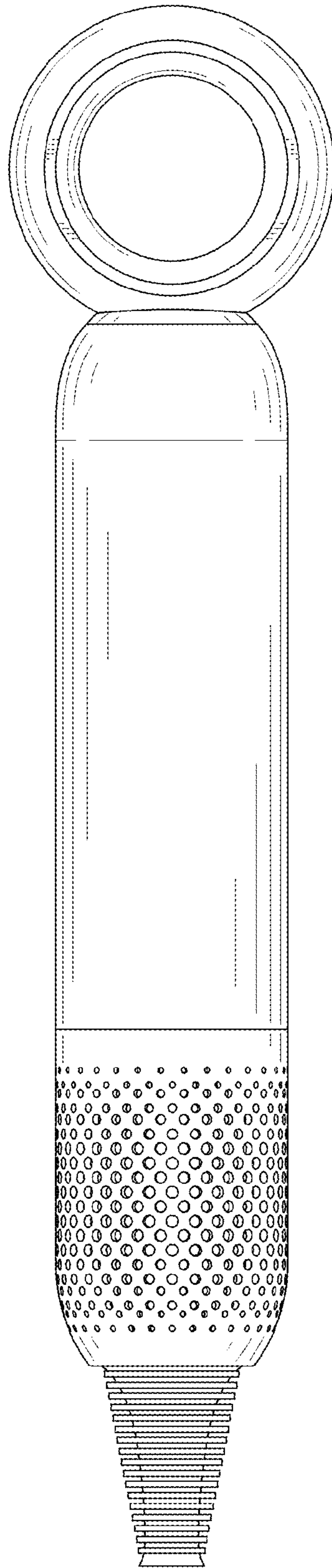


FIG. 4

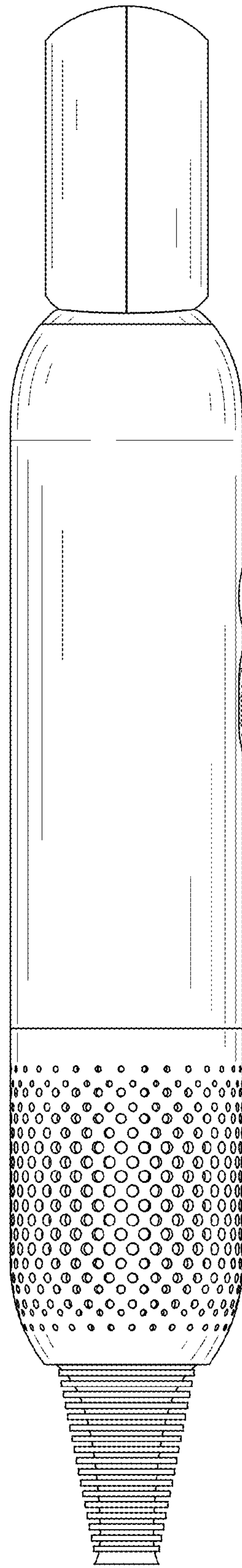


FIG. 5

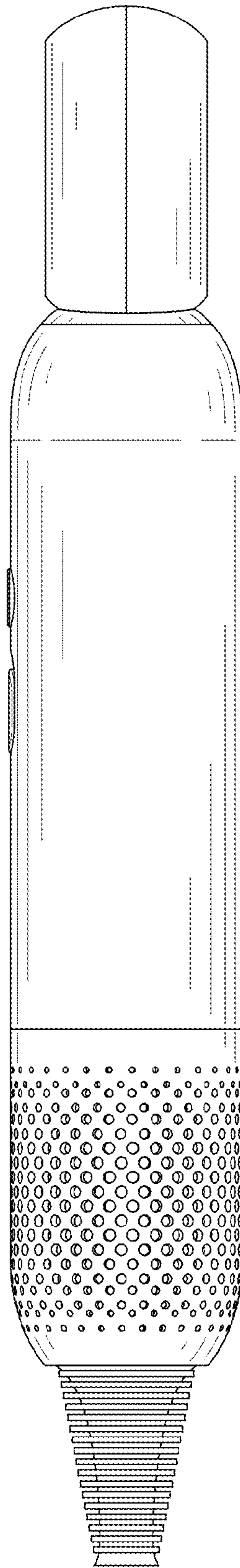


FIG. 6

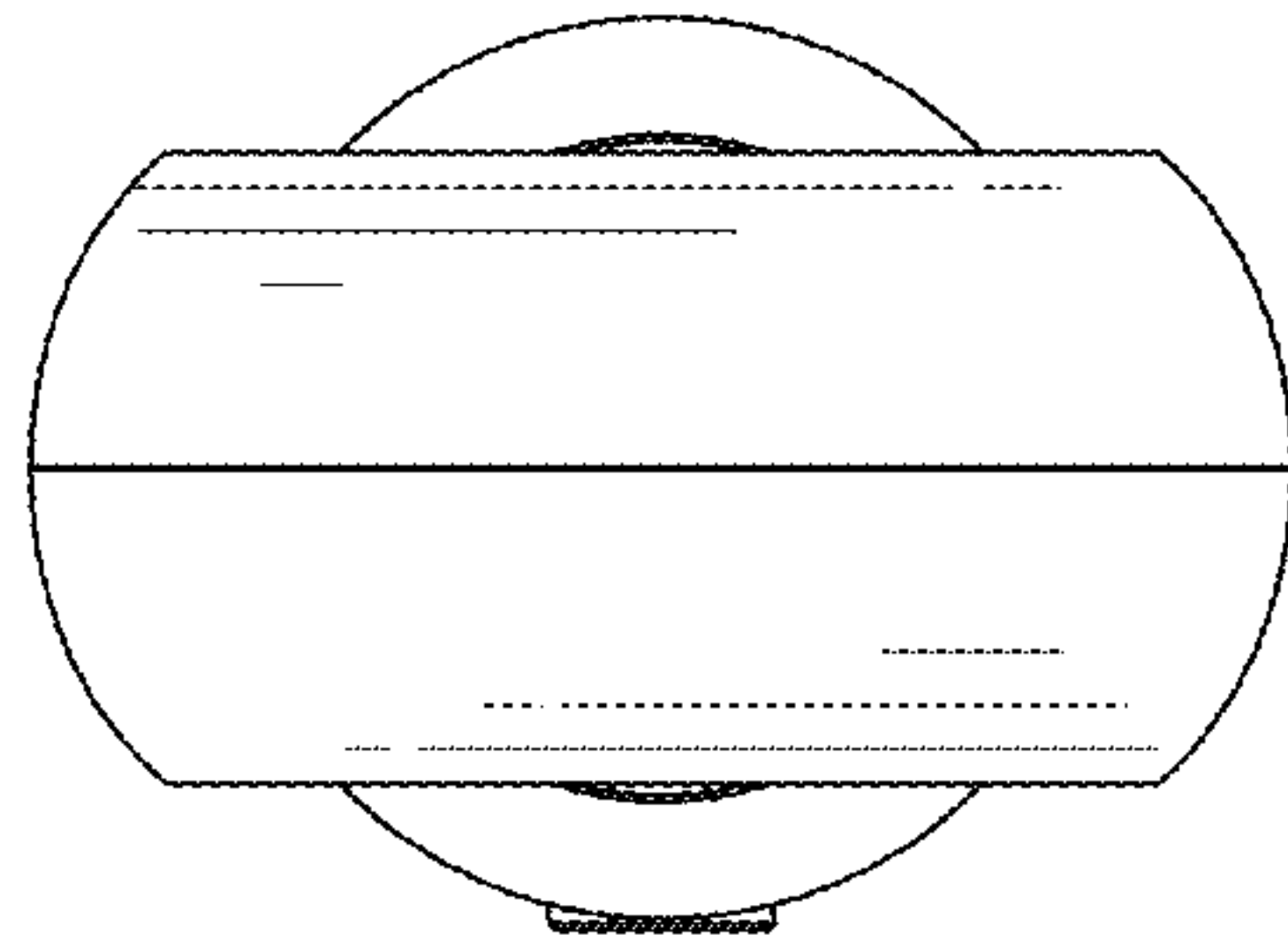


FIG. 7

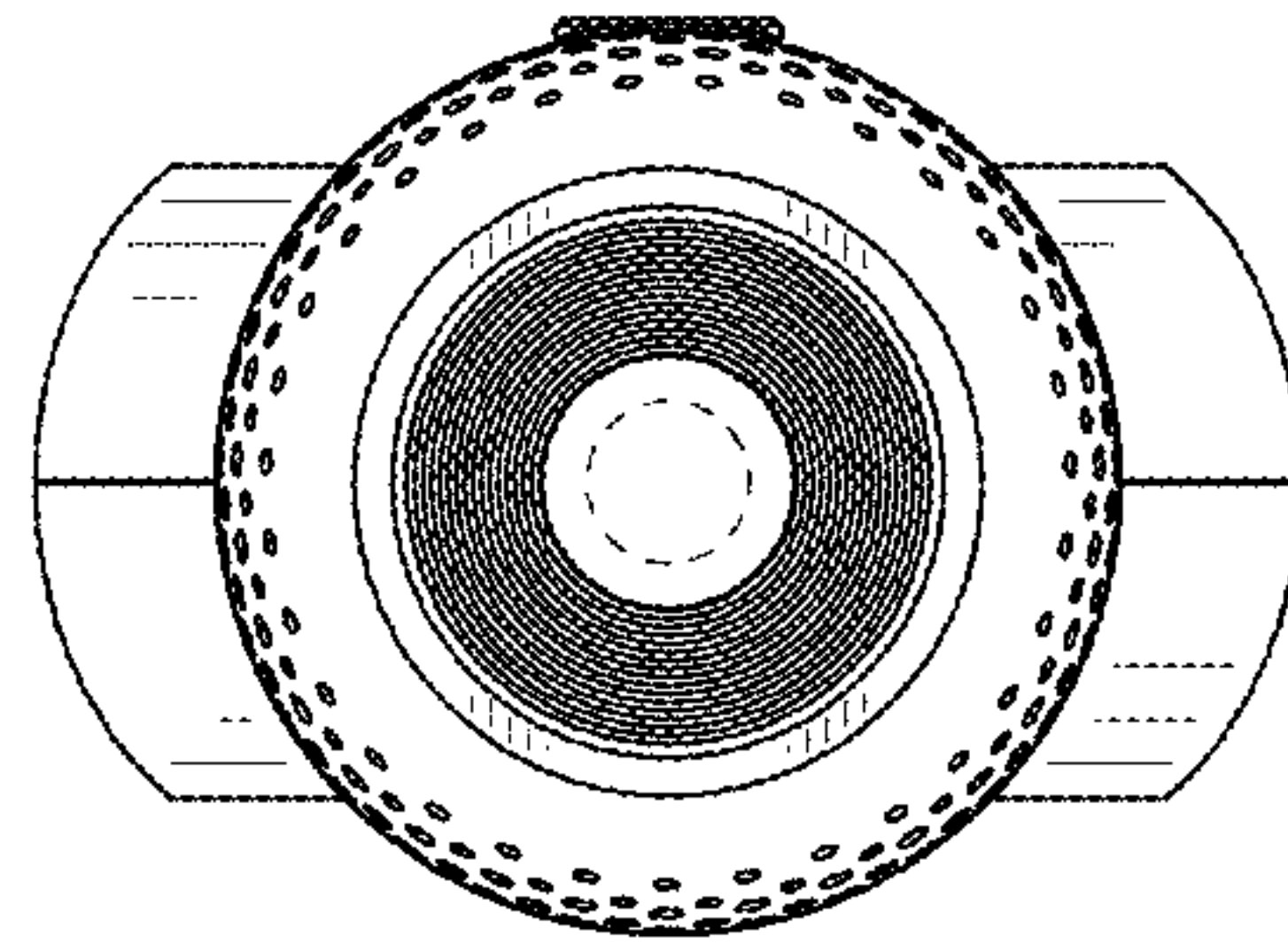


FIG. 8

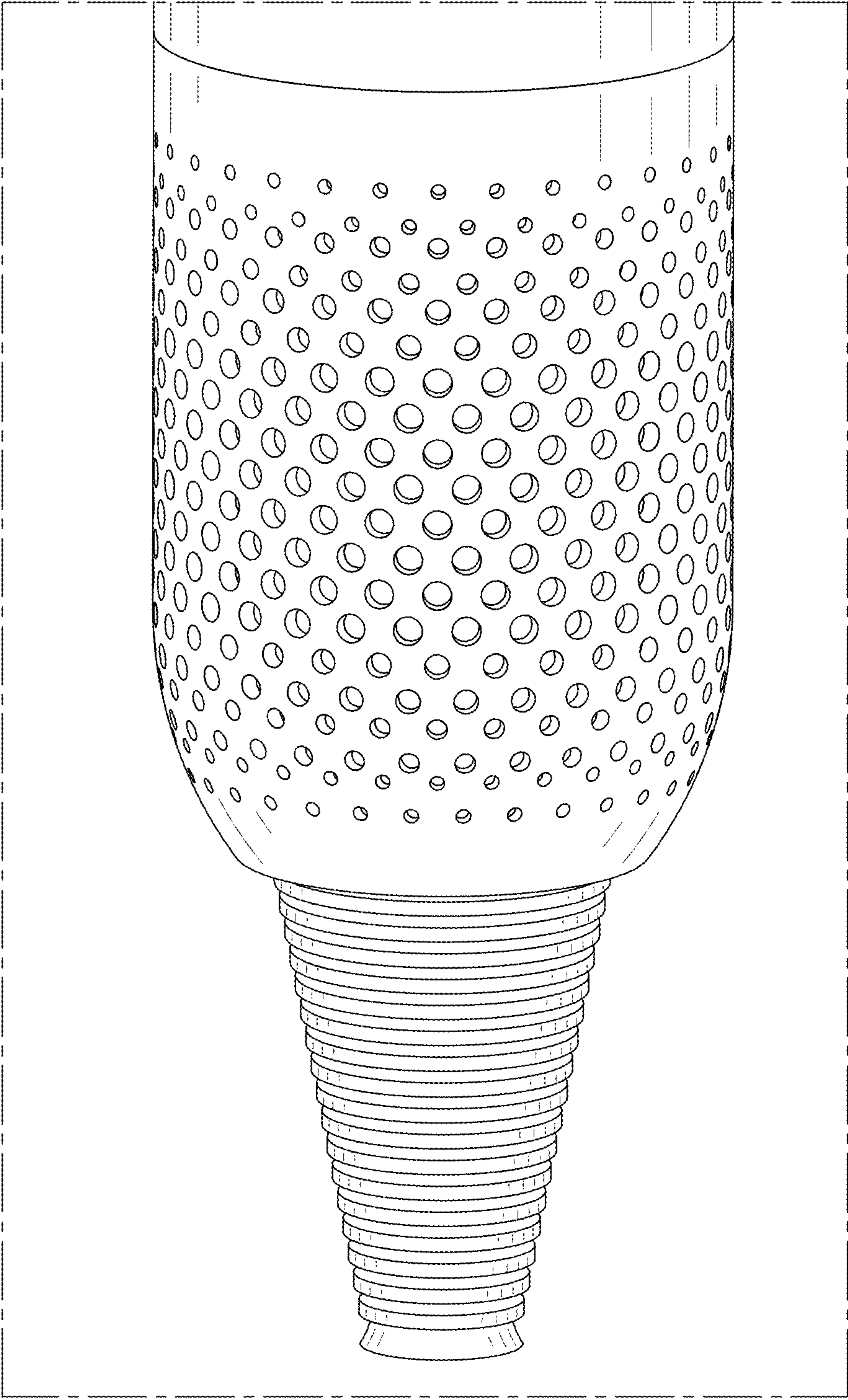


FIG. 9